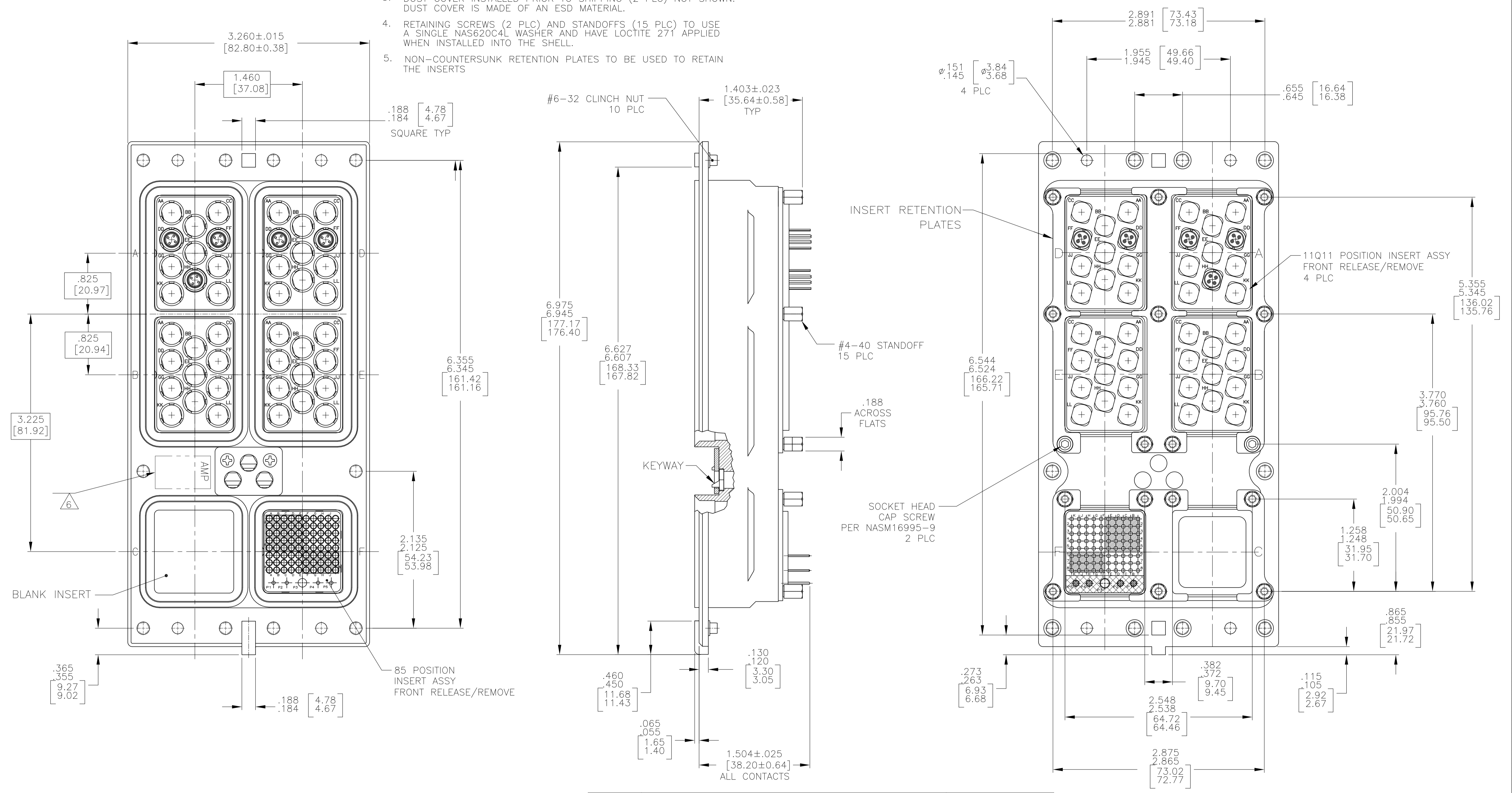


REVISIONS					
P	LTR	DESCRIPTION	DATE	DN	APVD
K	REV PER ECO	17-007041	5-16-17	CT	EO

- CONNECTOR DIMENSIONS ARE PER ARINC 600 SPECIFICATION
- KEYING SHOWN IN POSITION "01" FOR REFERENCE ONLY. SEE TABLE FOR KEYING POSITION. FOR POSITION "00" KEYING SHIPPED UNASSEMBLED.
- DUST COVER INSTALLED PRIOR TO SHIPPING (2 PLC) NOT SHOWN. DUST COVER IS MADE OF AN ESD MATERIAL.
- RETAINING SCREWS (2 PLC) AND STANDOFFS (15 PLC) TO USE A SINGLE NAS620C4L WASHER AND HAVE LOCTITE 271 APPLIED WHEN INSTALLED INTO THE SHELL.
- NON-COUNTERSUNK RETENTION PLATES TO BE USED TO RETAIN THE INSERTS
- TE LOGO APPEARS IN THIS APPROXIMATE LOCATION ON MACHINED FROM BILLET SHELLS.
- ASSEMBLY SHOWN WITH DIE CAST SHELL. ASSEMBLIES WITH MACHINED SHELLS MAY VARY SLIGHTLY IN APPEARANCE.



COMPONENT	MATERIAL	FINISH
SHELL	DIE CAST ALUMINUM PER ASTM-B-85 OR ASTM B211 6061-T6 OR ASTM B209 2024-T4	CHEMICAL CONVERSION COATING PER MIL-C-5541, CLASS 1A
RETENTION PLATES	ALUMINUM ALLOY PER ASTM-B-209	CHEMICAL CONVERSION COATING PER MIL-C-5541, CLASS 1A
SCREWS AND LOCKWASHERS	STEEL OR STAINLESS STEEL	CHROMATE OVER ZINC OR PASSIVATED
POLARIZING KEYS	ZINC ALLOY PER ASTM-B-86	-
85 POSN. INSERT	THERMOSET	-
SZ 16, 20 & 22 FILLER PLUGS	TEFLON	-
QUADRAX FILLER PLUGS	ALUMINUM ALLOY	ELECTROLESS NICKEL PER MIL-C-26074 CLASS 4, GRADE B
POLARIZING KEY RETAINING PLATE	ALUMINUM ALLOY PER ASTM-B-209	BLUE ANODIZED PER MIL-A-8625
11Q11 & BLANK INSERTS	ALUMINUM ALLOY PER ASTM-B-209	ELECTROLESS NICKEL PER MIL-C-26074 CLASS 4, GRADE B

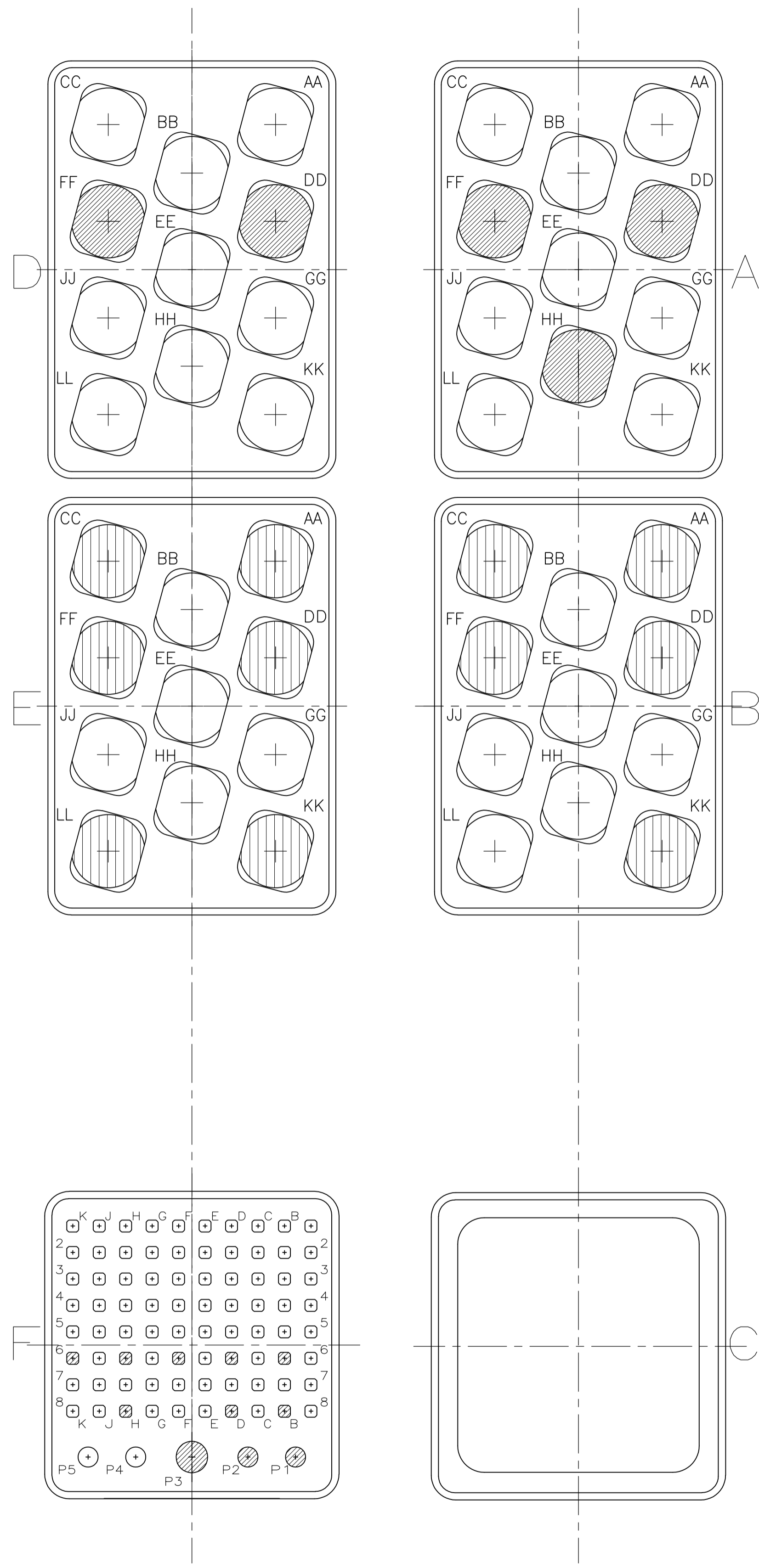
"27"	<p>MODULE A: PART NO. 1-1445626-0 (SZ 8 QUADRAX; QTY = 3) PART NO. 1663983-1 FILLER PLUG (QTY = 8)</p> <p>MODULE B: PART NO. 1663983-1 FILLER PLUGS INSTALLED (QTY = 6)</p> <p>MODULE C: NONE</p> <p>MODULE D: PART NO. 1-1445626-0 (SZ 8 QUADRAX; QTY = 2) PART NO. 1663983-1 FILLER PLUG (QTY = 9)</p> <p>MODULE E: PART NO. 1663983-1 FILLER PLUGS INSTALLED (QTY = 5)</p> <p>MODULE F: PART NO. 2-211431-1 (SZ 22 SKT CONTACT; QTY = 8) PART NO. 4-448138-2 (SZ 20 POSTED PIN CONTACT QTY = 2) PART NO. 3-448139-5 (SZ 16 POSTED PIN CONTACT QTY = 1) PART NO. 1663767-1 (SZ 22 FILLER PLUG QTY = 72) PART NO. 1663767-2 (SZ 20 FILLER PLUG QTY = 2) PART NO. 211600-2 (ESD DUST COVER QTY = 2)</p>	2101423-1
KEYING POSITION	CONTACTS & FILLER PLUGS INCLUDED AND INSTALLED (SELECT LOADED PER SHEET #2)	PART NUMBER

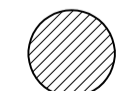


THIS DRAWING IS A CONTROLLED DOCUMENT.


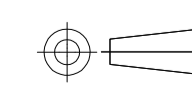
DIMENSIONS: INCHES	TOLERANCES UNLESS OTHERWISE SPECIFIED:	DIN C.C.THOMAS 7-13-09	APVD K.THACKSTON 7-13-09	NAME RCPT ASSY, SIZE 3, ARINC 600 (11Q11/11Q11/BLANK/11Q11/11Q11/85)
MATERIAL SEE TABLE	FINISH SEE TABLE	WEIGHT 0	SIZE A1	CAGE CODE 00779
CUSTOMER DRAWING		SCALE 1.5:1	SHEET 1 OF 2	REV K

THIS DRAWING IS UNPUBLISHED. RELEASED FOR PUBLICATION. ALL RIGHTS RESERVED.

REVISIONS				
P	LTR	DESCRIPTION	DATE	APPV
-		SEE SHEET 1	-	-



-  = CONTACT INSTALLED
-  = FILLER PLUG INSTALLED
-  = OPEN CAVITY

THIS DRAWING IS A CONTROLLED DOCUMENT.		DWG C.C.THOMAS 7-13-09	 TE Connectivity
DIMENSIONS: INCHES		CHK K.THACKSTON 7-13-09	
		TOLERANCES UNLESS OTHERWISE SPECIFIED: 0. PLC ± - 1. PLC ± - 2. PLC ± - 3. PLC ± - 4. PLC ± - ANGLES ± -	NAME RCPT ASSY, SIZE 3, ARINC 600 (11Q11/11Q11/BLANK/11Q11/11Q11/85)
MATERIAL SEE TABLE	FINISH SEE TABLE	APVD K.THACKSTON 7-13-09	APPLICATION SPEC - SIZE A1 00779 C=2101423
CUSTOMER DRAWING		WEIGHT -	RESTRICTED TO - SCALE 1.5:1 SHEET 2 OF 2 REV K