

REVISIONS				
P.	LTN	DESCRIPTION	DATE	APVD
D	REV PER ECO	14-006461	4-30-14	CT KH

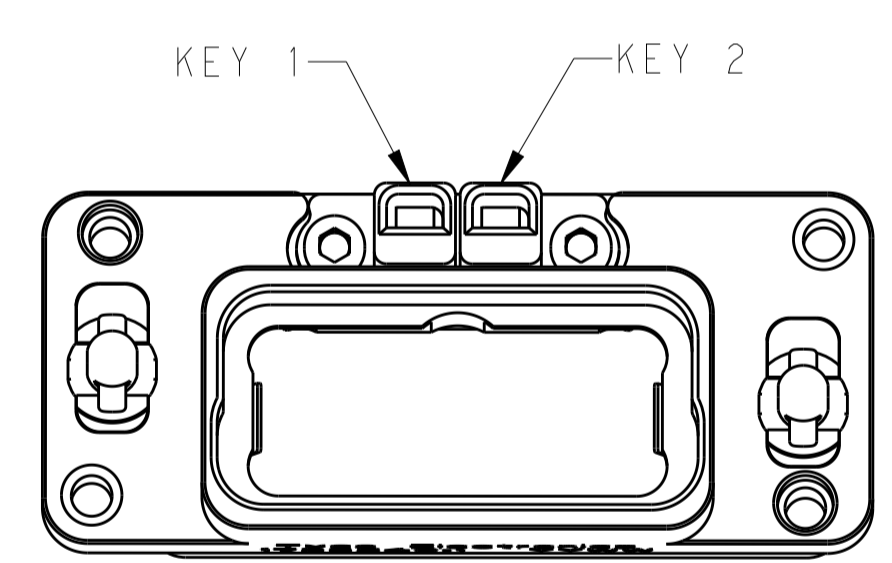
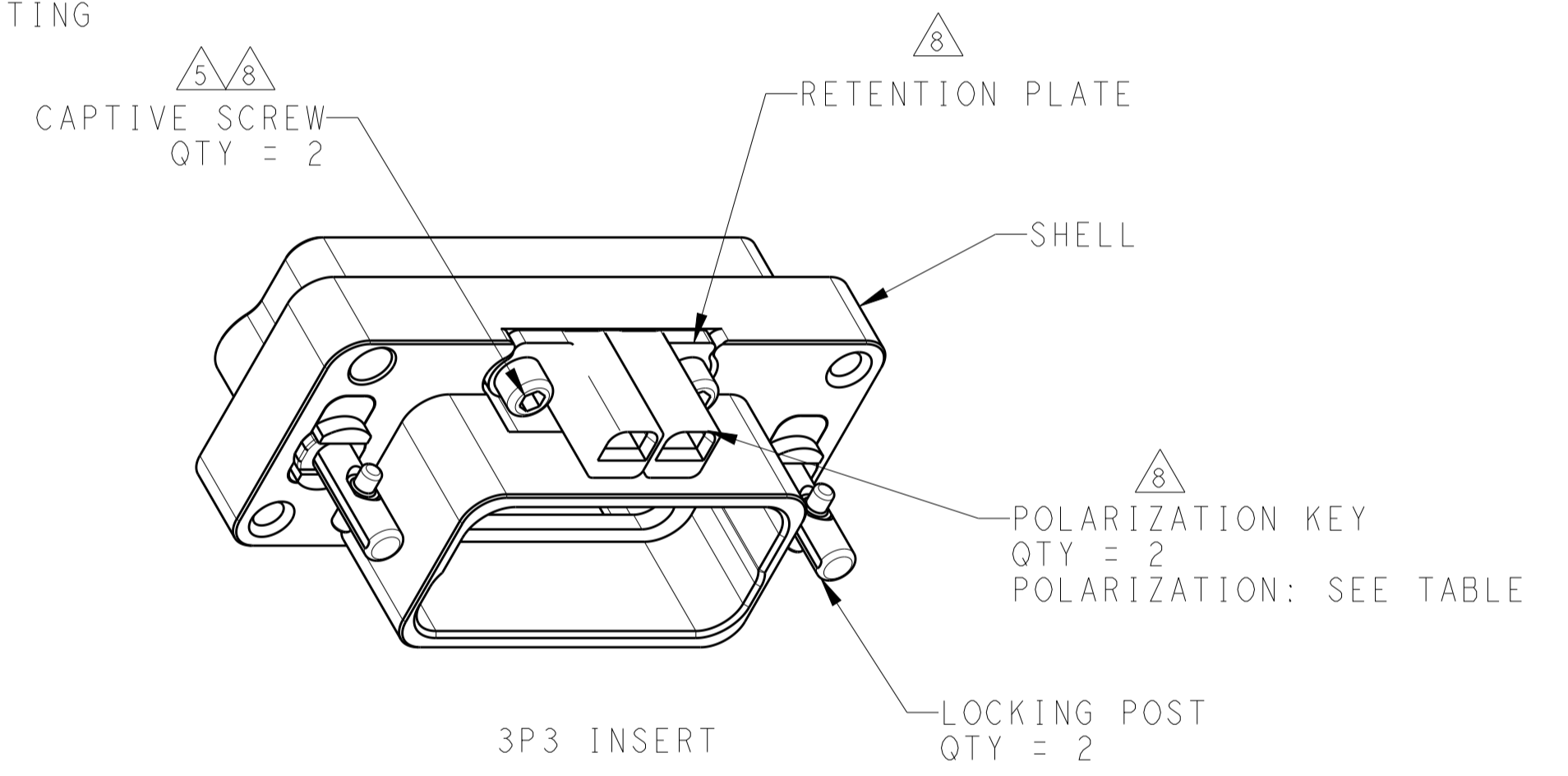
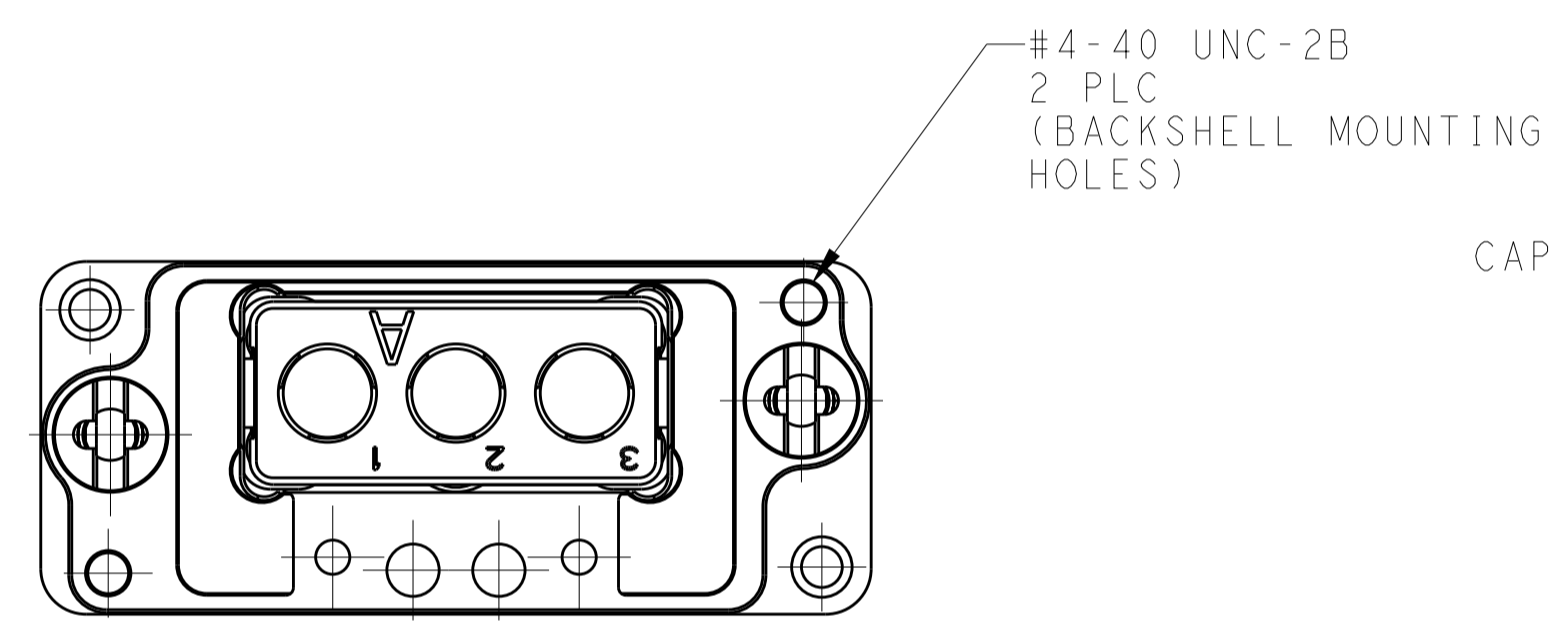
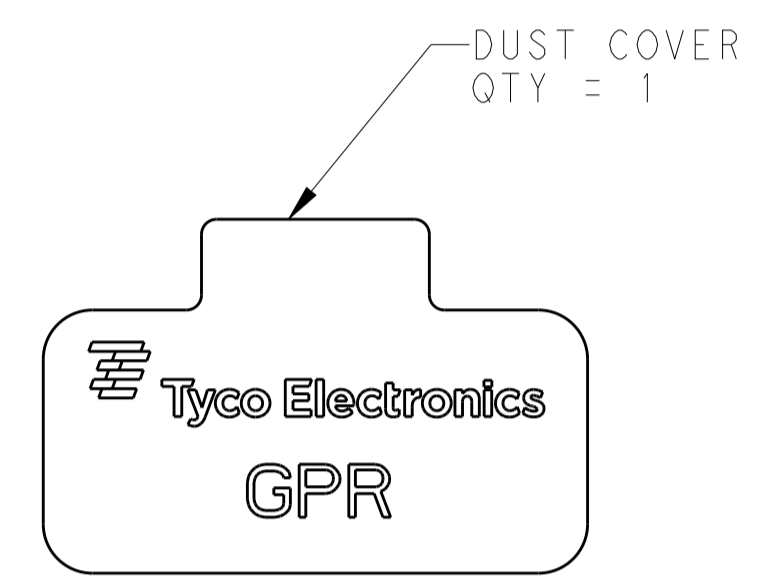
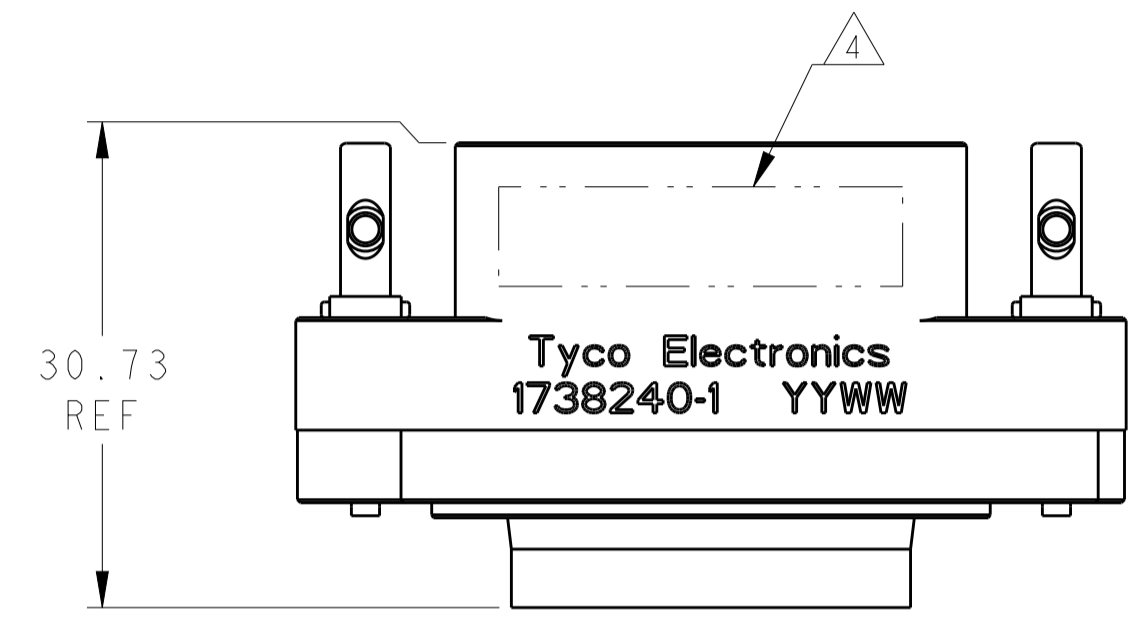
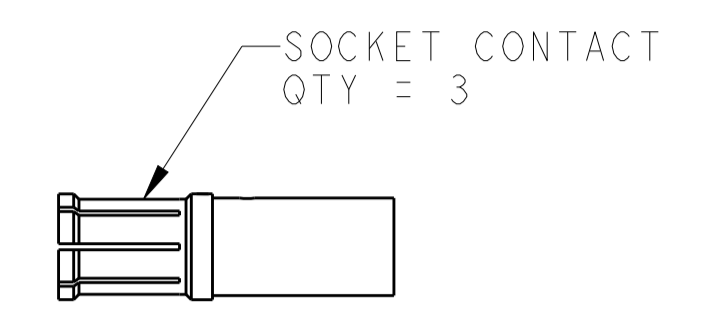
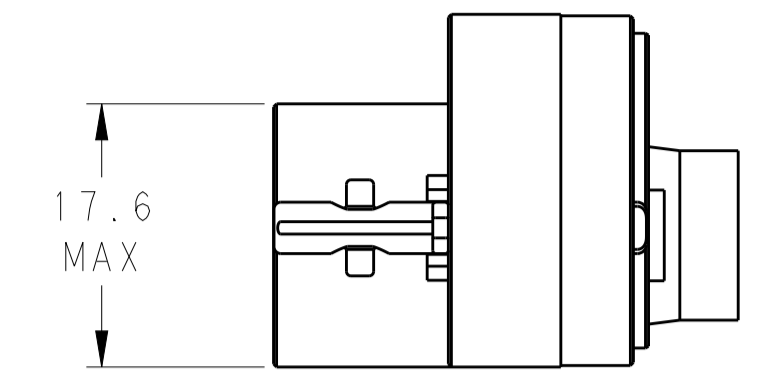
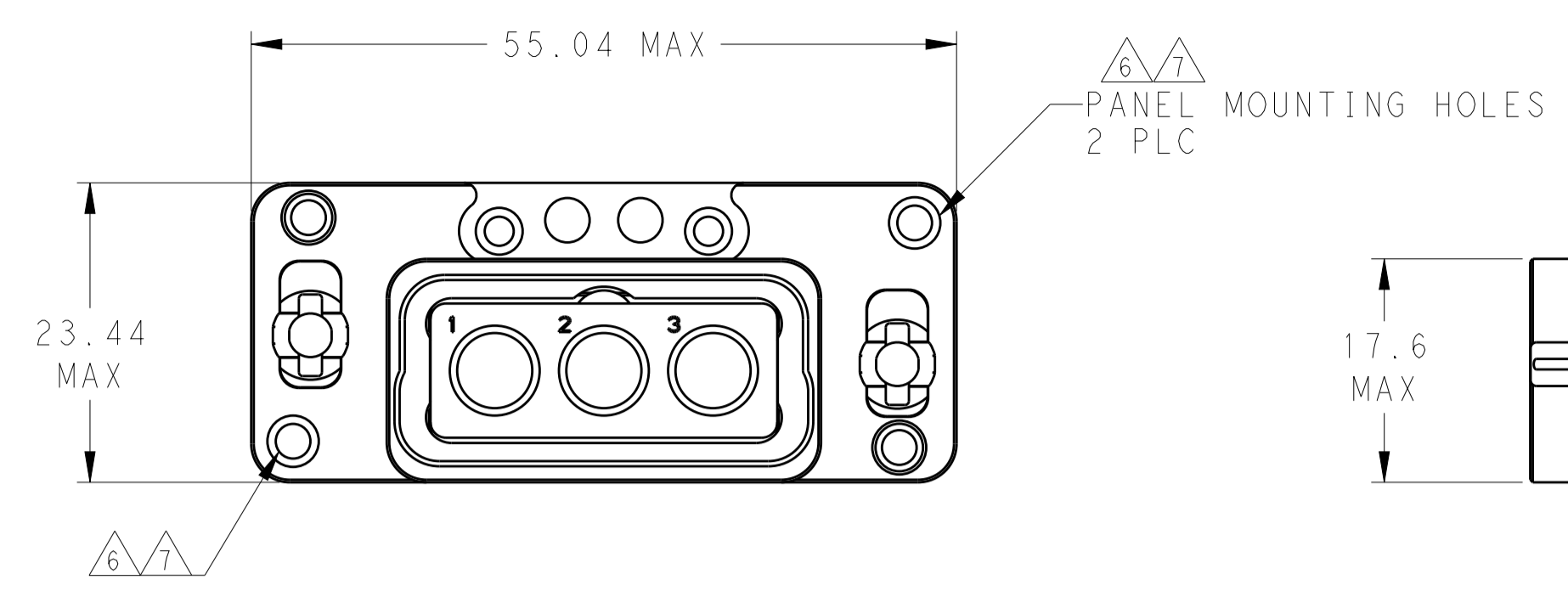
1. THIS KIT INCLUDES: GPRB1 RECEPTACLE SHELL SUB ASSY; TE PART NO. 1738240-1  
 GPRBEP3SA 3P3 SOCKET INSERT; TE PART NO. 1954327-1 (INSTALLED)  
 AND SIZE 5 CRIMP SOCKET CONTACT; TE PART NO. 1954722-1. (NOT INSTALLED)

2. MATERIALS:  
 SHELL & KEY RETENTION PLATE: ALUMINUM ALLOY  
 LOCKING POST: STAINLESS STEEL PER ASTM B883  
 SPRING: STAINLESS STEEL PER AISI 301  
 SPRING SUPPORT, LOCKING POST SUPPORT & CAPTIVE SCREW: STAINLESS STEEL PER AISI 303  
 SCREW RETENTION CLIPS: STAINLESS STEEL PER AISI 304  
 INSERT RETENTION CLIP: COPPER ALLOY PER ASTM B194  
 POLARIZATION KEY: PEI THERMOPLASTIC PER ASTM D5205  
 PROTECTIVE COVER: THERMOPLASTIC ELASTOMER

3. FINISH:  
 SHELL: ELECTROLESS NICKEL PER SAE AMS-C-26074, CLASS 1.  
 KEY RETENTION PLATE: ANODIZED, COLOR: CLEAR

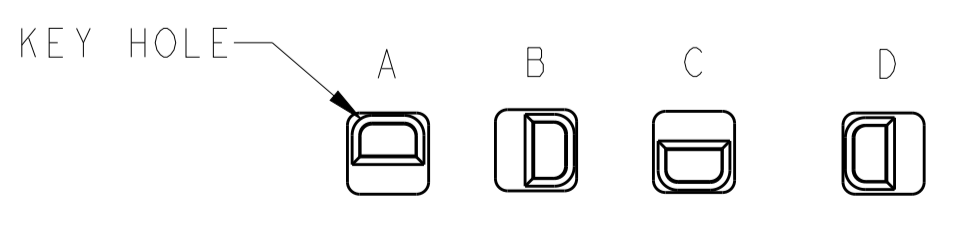
- 4. TE PART NO. AND DATE CODE MARKED IN THIS AREA.
- 5. #4-40 CAPTIVE SCREWS ON KEY RETENTION PLATE RECOMMENDED TORQUE: 0.8 N-m.
- 6. #6-32 SCREWS ARE REQUIRED FOR REAR PANEL MOUNTING (NOT INCLUDED) RECOMMENDED LOCKING TORQUE: 1.6 N-m.
- 7. THREADED HOLES ARE SELF LOCKING.
- 8. THE POLARIZATION KEYS & RETENTION PLATE ARE SHIPPED UNASSEMBLED FOR -1.
- 9. DATUMS ARE ESTABLISHED BY THE CUSTOMER.
- 10. BASIC DIMENSIONS ARE ESTABLISHED BY THE CUSTOMER.

11. THIS PRODUCT IS SOLD BY Tyco Electronics UNDER A LICENSE FROM RADIAL SA.

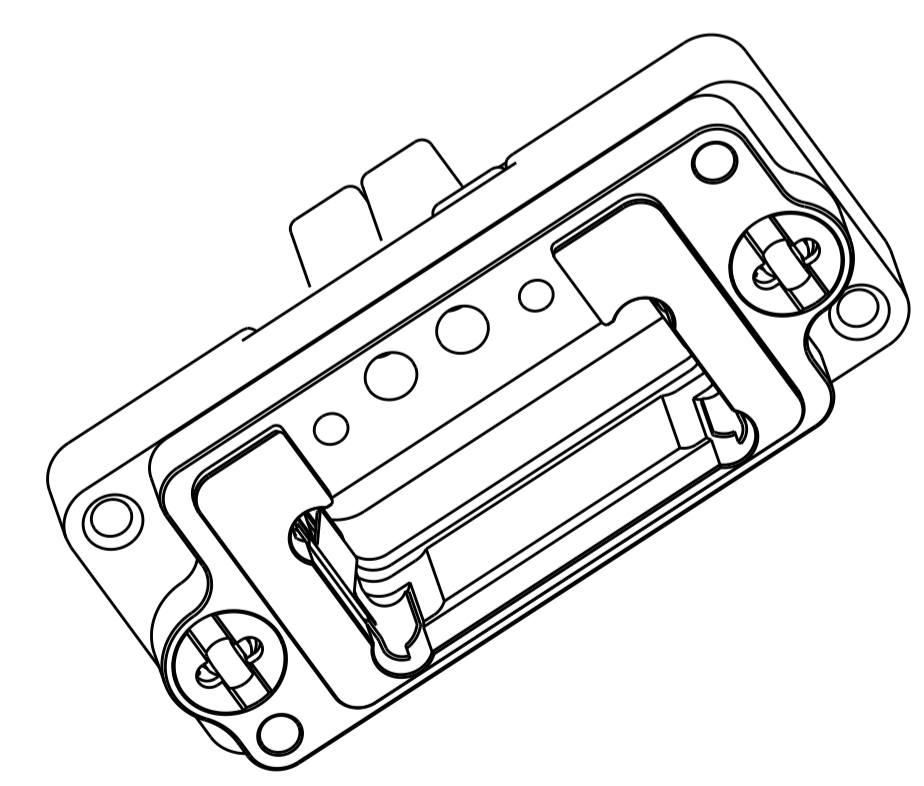


CODE NUMBER 01 SHOWN = A A  
 POLARIZATION KEY 1 POLARIZATION KEY 2

CODE NUMBER	KEY 1	KEY 2
01	A	A
02	D	A
03	C	A
04	B	A
05	A	D
06	D	D
07	C	D
08	B	D
09	A	C
10	D	C
11	C	C
12	B	C
13	A	B
14	D	B
15	C	B
16	B	B



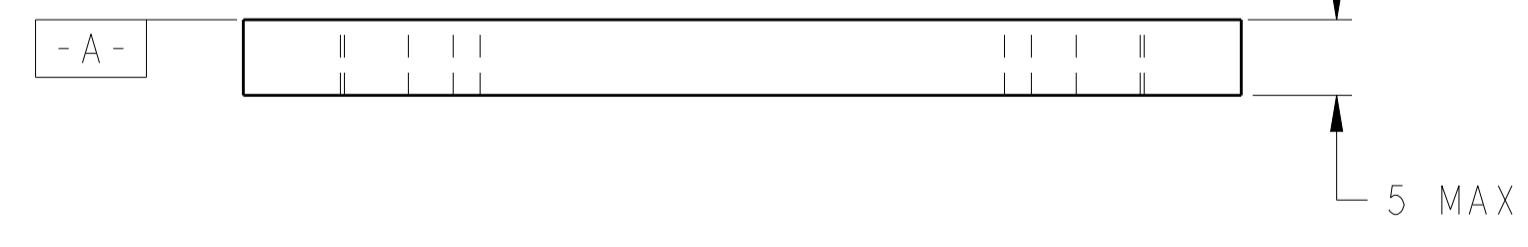
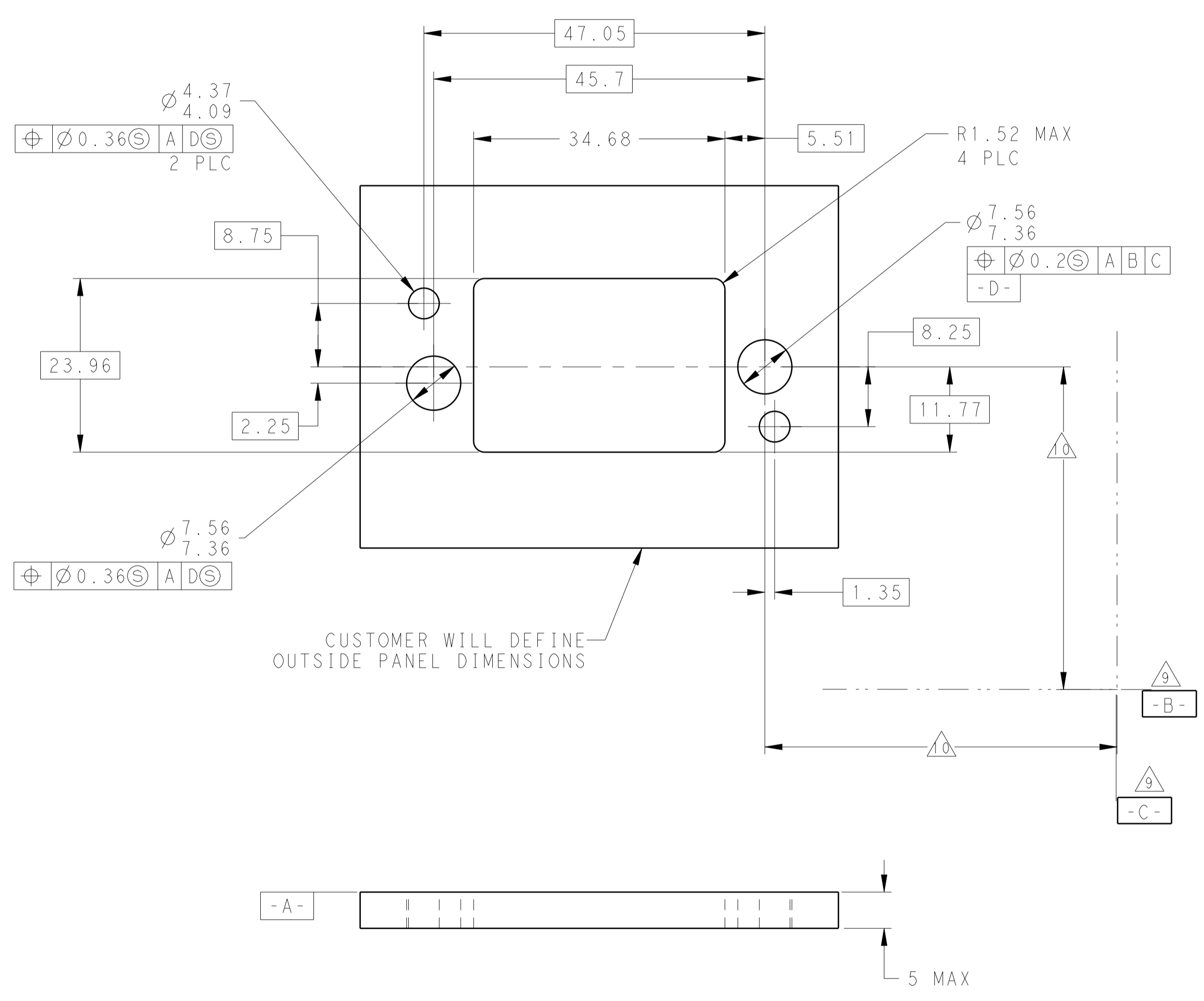
RECEPTACLE CONNECTOR POLARIZATION VIEW



"07"	2101536-7
"02"	2101536-6
"16"	2101536-5
"11"	2101536-4
"06"	2101536-3
"01"	2101536-2
UNINSTALLED	2101536-1
KEYING POSITIONS	PART NO

THIS DRAWING IS A CONTROLLED DOCUMENT. DIMENSIONS: mm. TOLERANCES UNLESS OTHERWISE SPECIFIED: 0 PLC ±.5, 1 PLC ±.5, 2 PLC ±.13, 3 PLC ±.013, 4 PLC ±.0001, ANGLES ±.0001. MATERIAL: FINISH: WEIGHT: CUSTOMER DRAWING. DWN: C.C. THOMAS 11AUG2009, CHK: K. HOGAN 11AUG2009, APVD: K. HOGAN 11AUG2009. NAME: GPRB1 RECEPTACLE ASSY, 3P3 WITH SOCKET CONTACTS. SIZE: A1. CAGE CODE: 00779. DRAWING NO: 2101536. RESTRICTED TO: REV D. SCALE: 2:1. SHEET 1 OF 2.

REVISIONS				
P.	LTN	DESCRIPTION	DATE	APVD
-	-	SEE SHEET 1	-	-



RECOMMENDED PANEL CUTOUT  
REAR MOUNTING SIDE VIEW

THIS DRAWING IS A CONTROLLED DOCUMENT.		DWN C.C. THOMAS 11AUG2009	
DIMENSIONS: mm		CHK K. HOGAN 11AUG2009	
TOLERANCES UNLESS OTHERWISE SPECIFIED: 0 PLC ±.5 1 PLC ±.5 2 PLC ±.13 3 PLC ±.013 4 PLC ±.0001 ANGLES ±.1		APVD K. HOGAN 11AUG2009	NAME GPRB1 RECEPTACLE ASSY, 3P3 WITH SOCKET CONTACTS
MATERIAL		PRODUCT SPEC	APPLICATION SPEC
FINISH		WEIGHT	RESTRICTED TO
CUSTOMER DRAWING		SCALE 2:1	SHEET 2 OF 2 REV D