

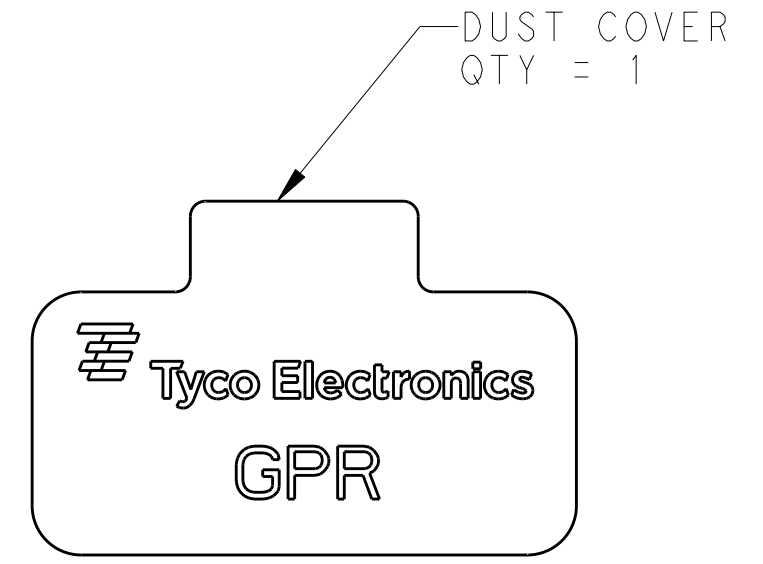
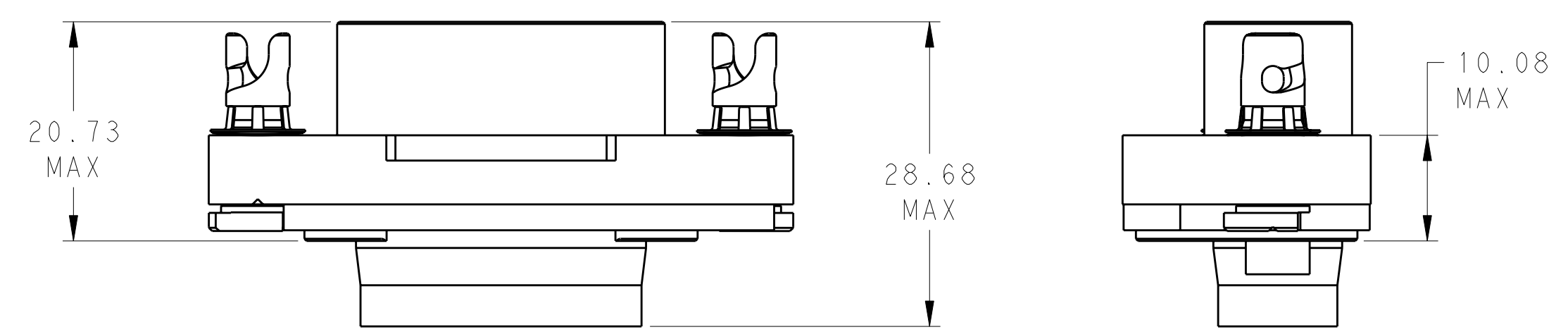
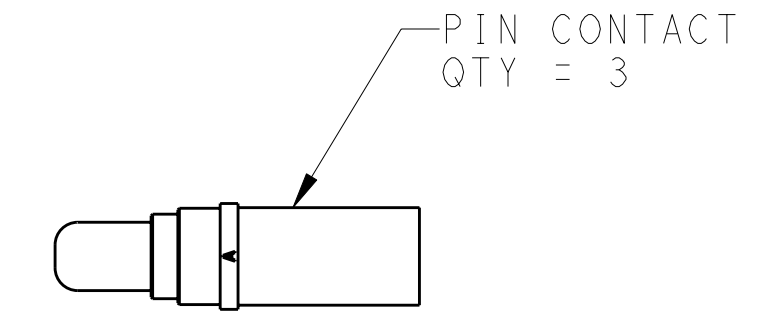
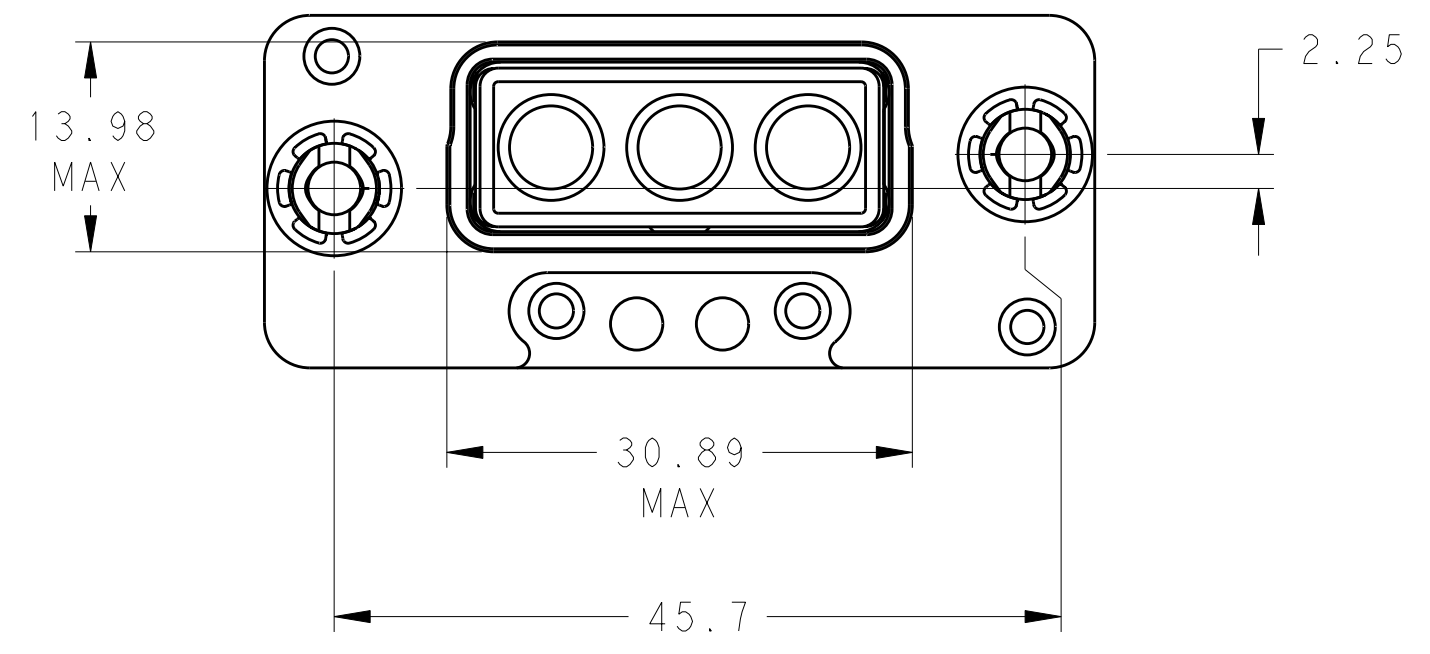
| LOC | DIST | REV | DATE | BY | CHKD | APVD |
|-----|------|-----|---------|----|------|------|
| - | - | B | 3-16-10 | CT | KH | |

1. THIS KIT INCLUDES: GPRB1 PLUG SHELL SUB ASSY; TE PART NO. 1738236-1
 GPRBEP3PA 3P3 PIN INSERT; TE PART NO. 1954321-1 (INSTALLED)
 AND SIZE 5 CRIMP PIN CONTACT; TE PART NO. 1738019-1. (NOT INSTALLED)

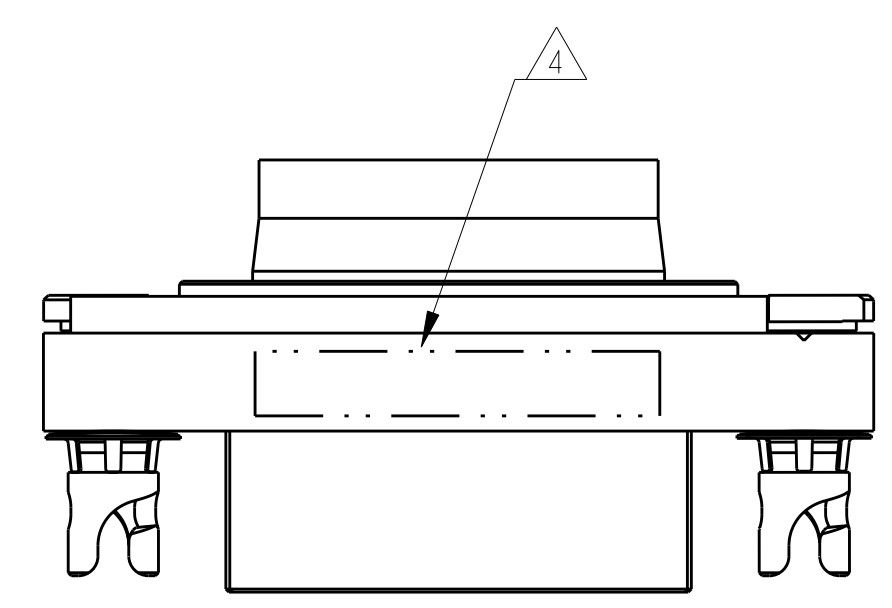
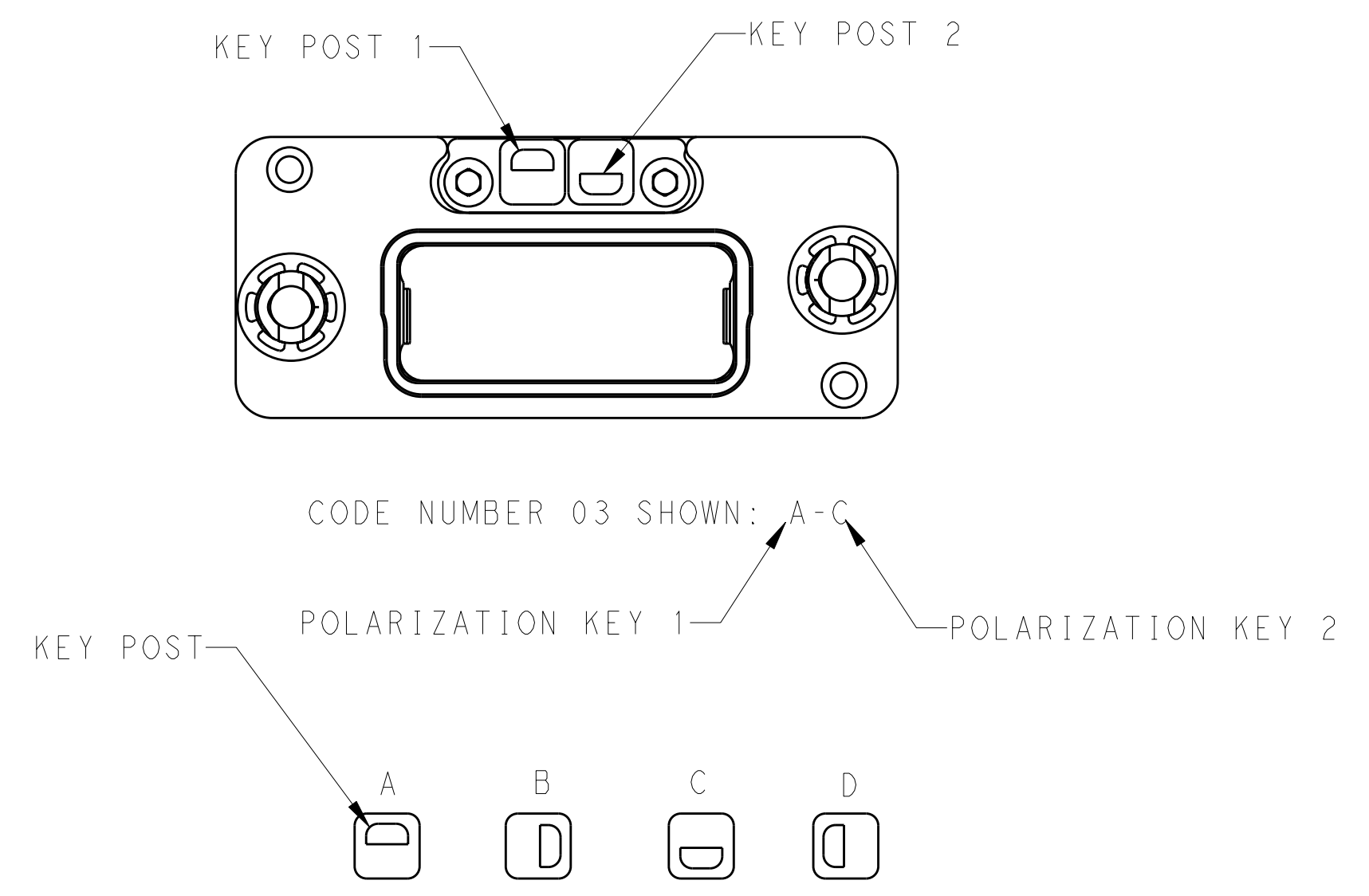
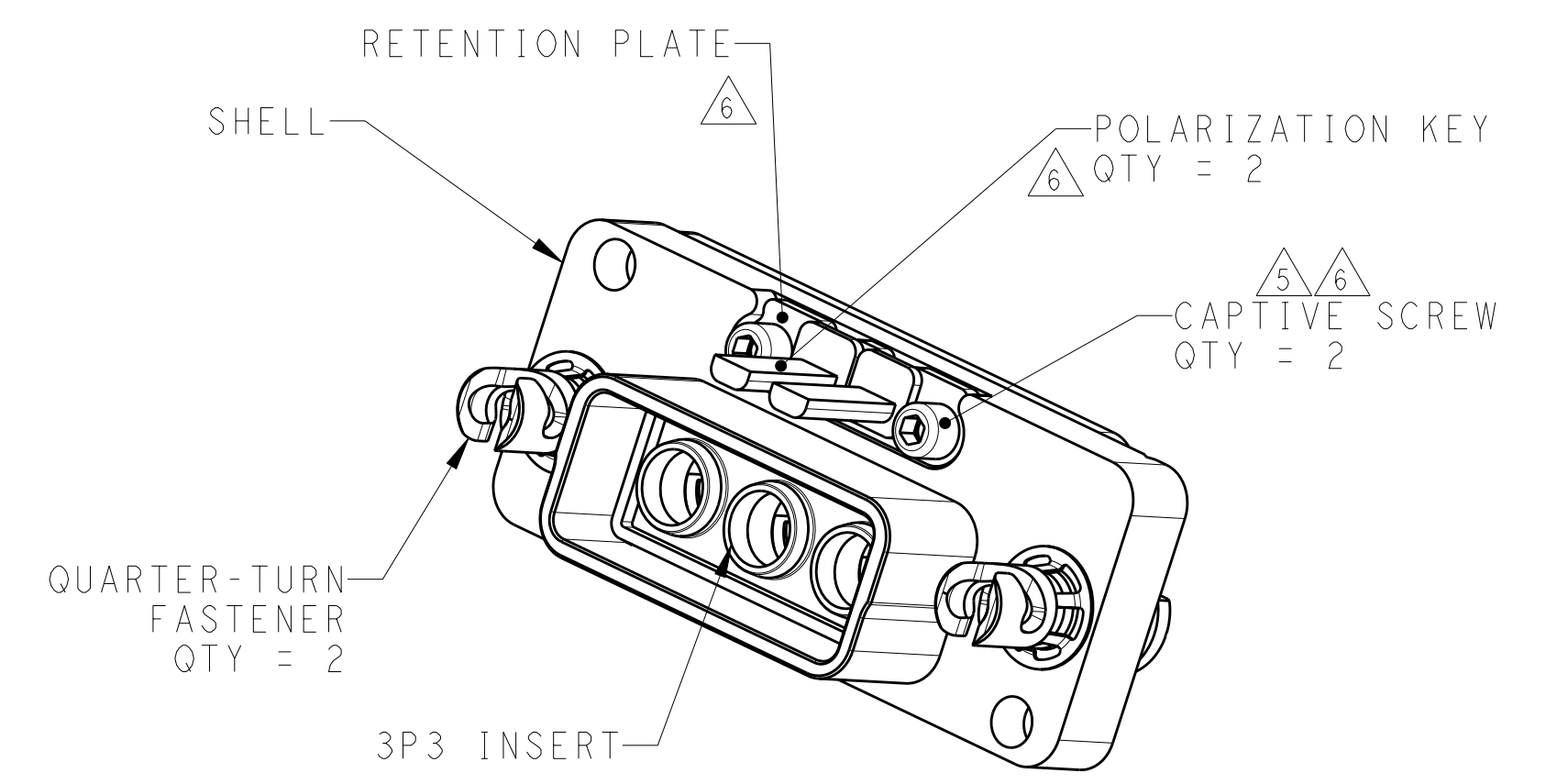
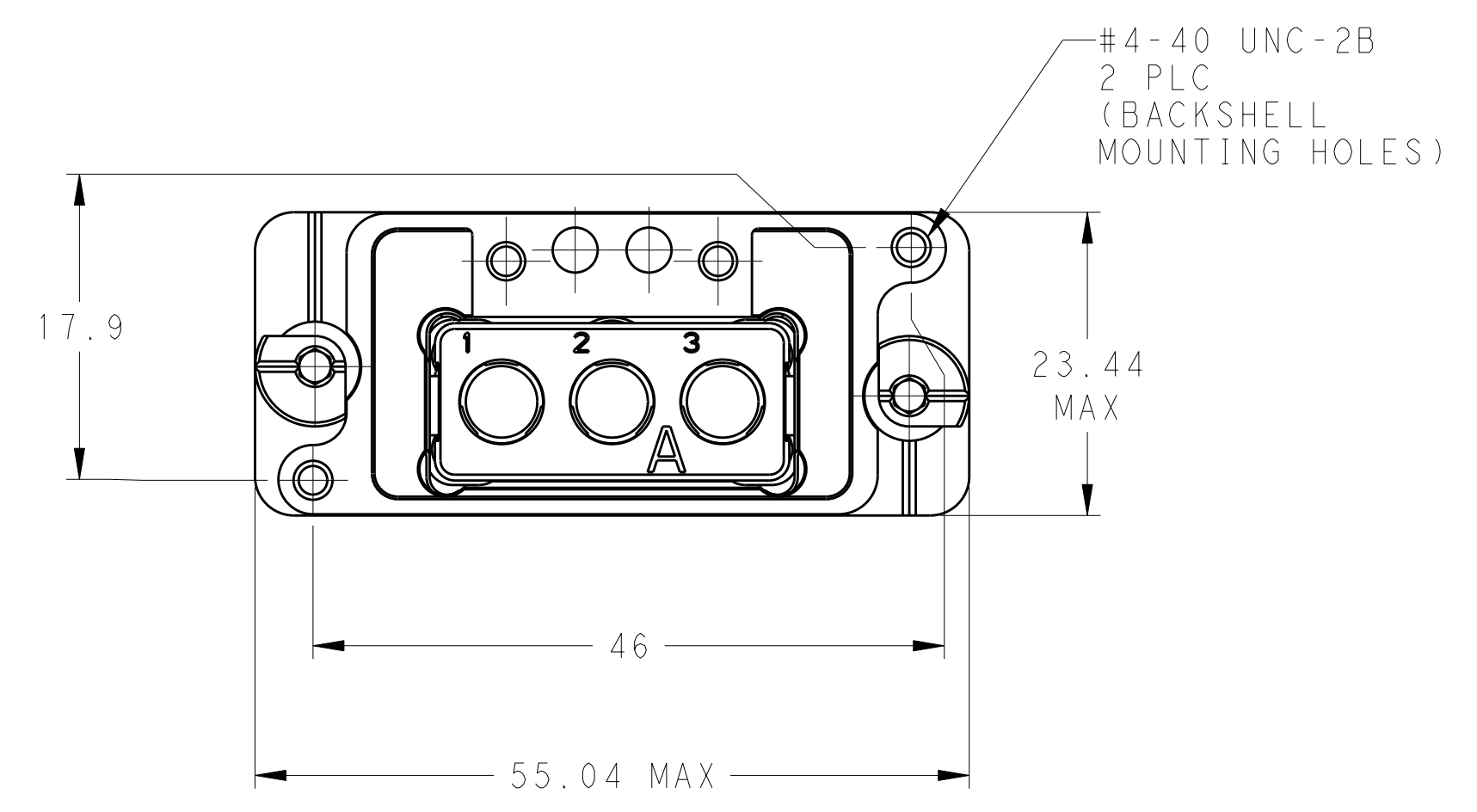
2. MATERIALS:
 SHELL & KEY RETENTION PLATE: ALUMINUM ALLOY
 QUARTER-TURN FASTENER: COPPER ALLOY PER ASTM B196
 CAPTIVE SCREW: STAINLESS STEEL PER AISI 304
 SCREW RETENTION CLIPS: STAINLESS STEEL PER AISI 304
 INSERT RETENTION CLIP, CURVED WASHER & FASTENER RETENTION CLIP: COPPER ALLOY PER ASTM B194
 POLARIZATION KEY: PEI THERMOPLASTIC PER ASTM D5205
 PROTECTIVE COVER: THERMOPLASTIC ELASTOMER

3. FINISH:
 SHELL: ELECTROLESS NICKEL PER SAE AMS-C-26074, CLASS 1.
 KEY RETENTION PLATE: ANODIZED, COLOR: CLEAR

- 4. TE PART NO. AND DATE CODE MARKED IN THIS AREA.
 - 5. #4-40 CAPTIVE SCREWS ON KEY RETENTION PLATE RECOMMENDED TORQUE: 0.8 N-m.
 - 6. THE POLARIZATION KEYS & RETENTION PLATE ARE SHIPPED UNASSEMBLED FOR -1.
7. THIS PRODUCT IS SOLD BY Tyco Electronics UNDER A LICENSE FROM RADIAL SA.



| CODE NUMBER | KEY 1 | KEY 2 |
|-------------|-------|-------|
| 01 | A | A |
| 02 | A | B |
| 03 | A | C |
| 04 | A | D |
| 05 | B | A |
| 06 | B | B |
| 07 | B | C |
| 08 | B | D |
| 09 | C | A |
| 10 | C | B |
| 11 | C | C |
| 12 | C | D |
| 13 | D | A |
| 14 | D | B |
| 15 | D | C |
| 16 | D | D |



| | |
|------------------|-----------|
| "16" | 2101537-5 |
| "11" | 2101537-4 |
| "06" | 2101537-3 |
| "01" | 2101537-2 |
| UNINSTALLED | 2101537-1 |
| KEYING POSITIONS | PART NO |

PLUG CONNECTOR POLARIZATION SHOWN WITHOUT INSERT

| DIMENSIONS: | | TOLERANCES UNLESS OTHERWISE SPECIFIED: | | MATERIAL: | | FINISH: | | WEIGHT: | | CUSTOMER DRAWING: | |
|-------------|-----------|--|------------|-------------|--------------|---------|--------|---------|--|-------------------|--|
| mm | 9 PLC ±.5 | 1 PLC ±.5 | 2 PLC ±.13 | 3 PLC ±.013 | 4 PLC ±.0001 | ANGLES | ±.0001 | | | | |

| | | | | |
|---------|--------------|------------|------------------|--|
| DWN | C. C. THOMAS | 11AUG2009 | NAME | GPRB1 PLUG ASSY, 3P3 WITH PIN CONTACTS |
| CHK | K. HOGAN | 11AUG2009 | PRODUCT SPEC | |
| APVD | K. HOGAN | 11AUG2009 | APPLICATION SPEC | |
| SIZE | CAGE CODE | DRAWING NO | RESTRICTED TO | |
| A100779 | C=2101537 | | | |

SCALE 2:1 SHEET 1 OF 1 REV B