

4

3

2

1

THIS DRAWING IS UNPUBLISHED.

RELEASED FOR PUBLICATION

20

© COPYRIGHT 20

BY TYCO ELECTRONICS CORPORATION. ALL INTERNATIONAL RIGHTS RESERVED.

LOC  
DF

DIST  
X0

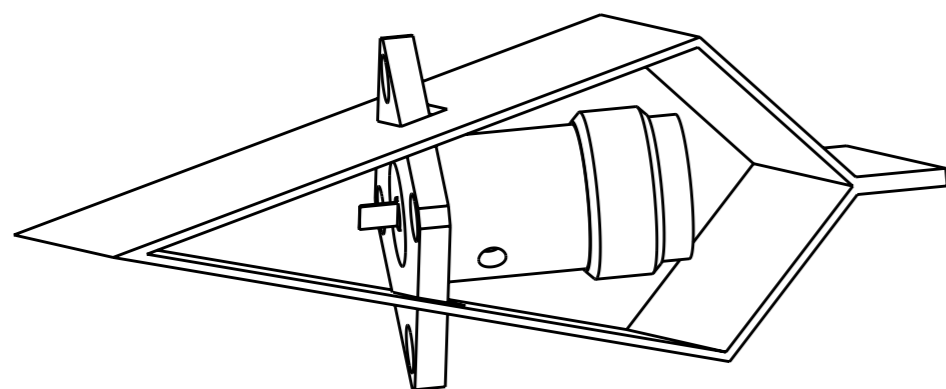
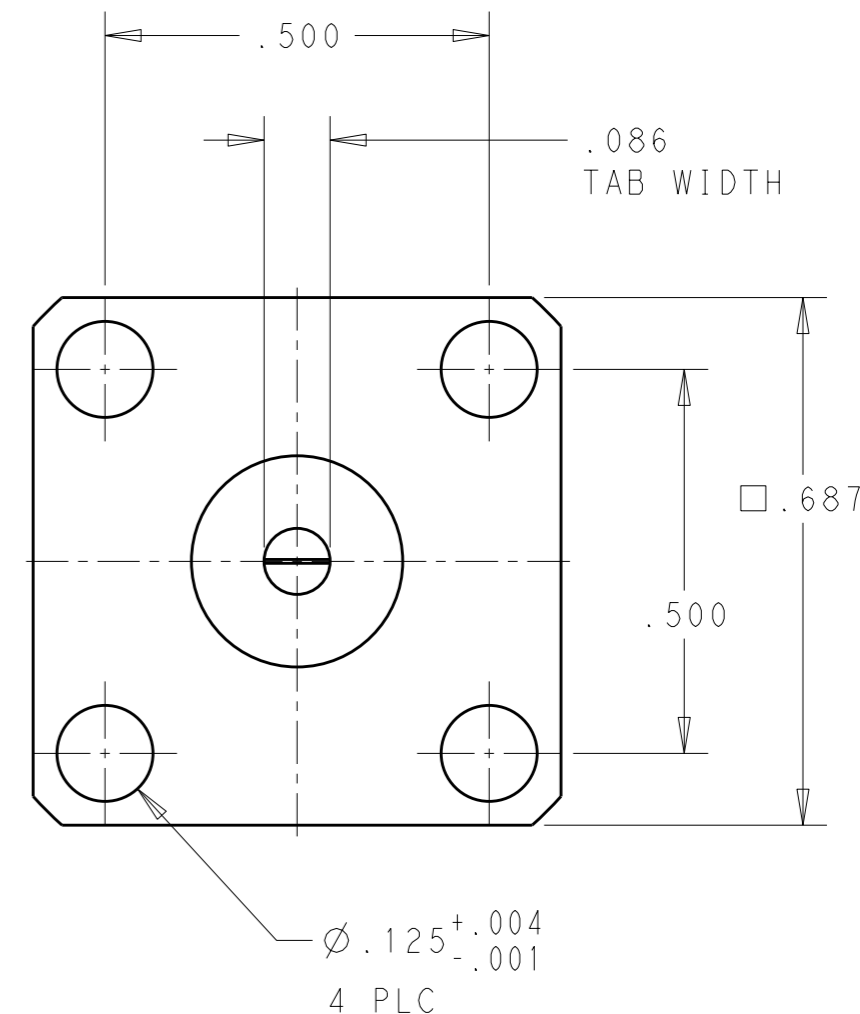
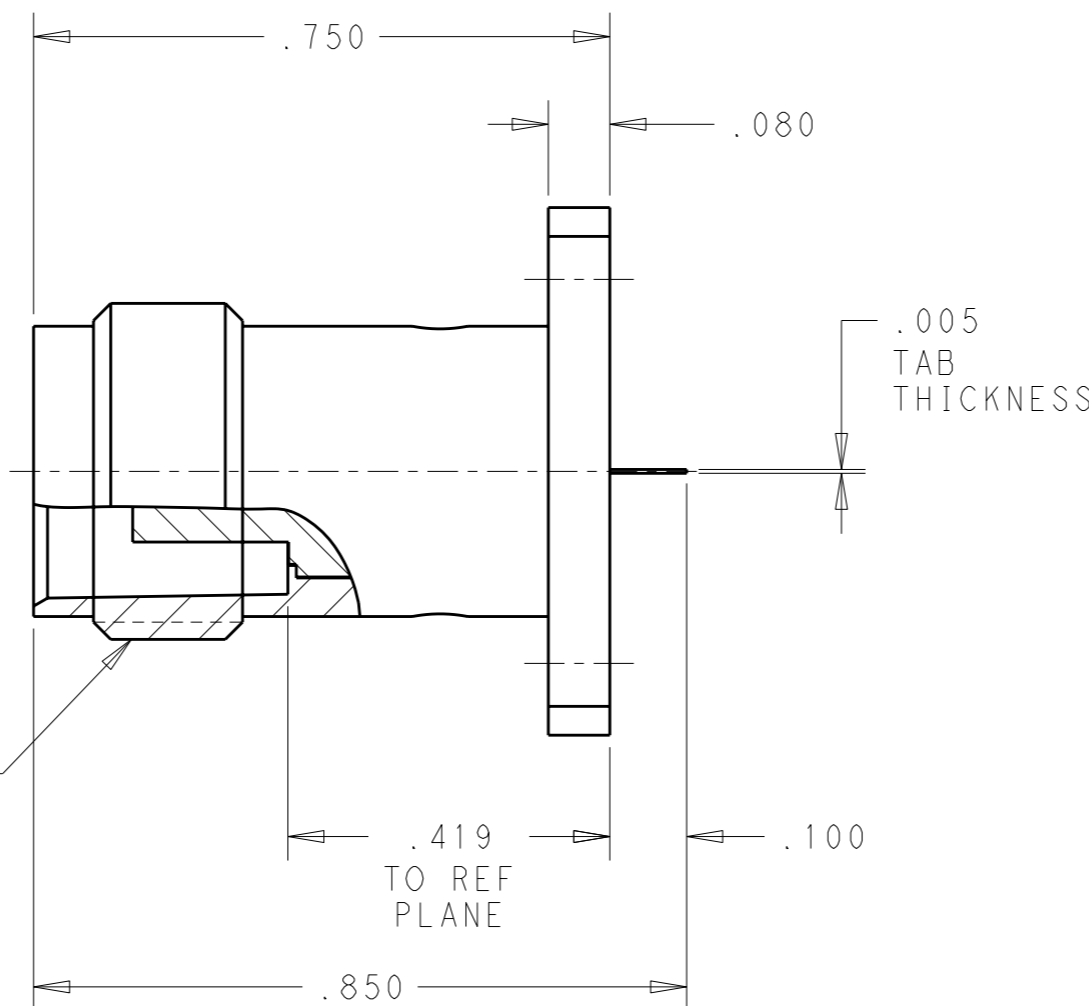
REVISIONS

| P | LTR | DESCRIPTION                | DATE      | DWN  | APVD |
|---|-----|----------------------------|-----------|------|------|
|   | A   | PROPOSED DESIGN            | 01DEC2009 | BM   | BM   |
|   | B   | RELEASED PER ECO-11-003979 | 24FEB2011 | RJM3 | BM   |

1 MATERIALS:  
 HOUSING: BRASS PER ASTM B 16  
 DIELECTRIC: TEFLON PER ASTM D 1710  
 CONTACT: BERYLLIUM COPPER PER ASTM B 196

2 FINISHES:  
 HOUSING: NICKEL PLATE PER QQ-N-290  
 CONTACT: GOLD PER MIL-G-45204

- 3. CAPTURED CENTER CONTACT
- 4. TNC INTERFACE PER MIL-STD-348A



2101678-1

PART NUMBER

THIS DRAWING IS A CONTROLLED DOCUMENT FOR TYCO ELECTRONICS CORPORATION. IT IS SUBJECT TO CHANGE AND THE CONTROLLING ENGINEERING ORGANIZATION SHOULD BE CONTACTED FOR THE LATEST REVISION.

DWN B. MOYER 01DEC2009

CHK -

APVD B. MOYER 01DEC2009

PRODUCT SPEC

APPLICATION SPEC

WEIGHT -

CUSTOMER DRAWING



Tyco Electronics  
Harrisburg, PA 17105-3608

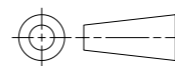
NAME  
TNC, 4 HOLE FLANGE MOUNT, JACK RECEPTACLE, TAB TERMINAL

SIZE CAGE CODE DRAWING NO RESTRICTED TO

A300779 C-2101678

SCALE 4:1 SHEET 1 OF 1 REV B

DIMENSIONS:  
INCHES



TOLERANCES UNLESS OTHERWISE SPECIFIED:

|        |       |
|--------|-------|
| 0 PLC  | ±-    |
| 1 PLC  | ±-    |
| 2 PLC  | ±.01  |
| 3 PLC  | ±.005 |
| 4 PLC  | ±-    |
| ANGLES | ±-    |

MATERIAL



FINISH

