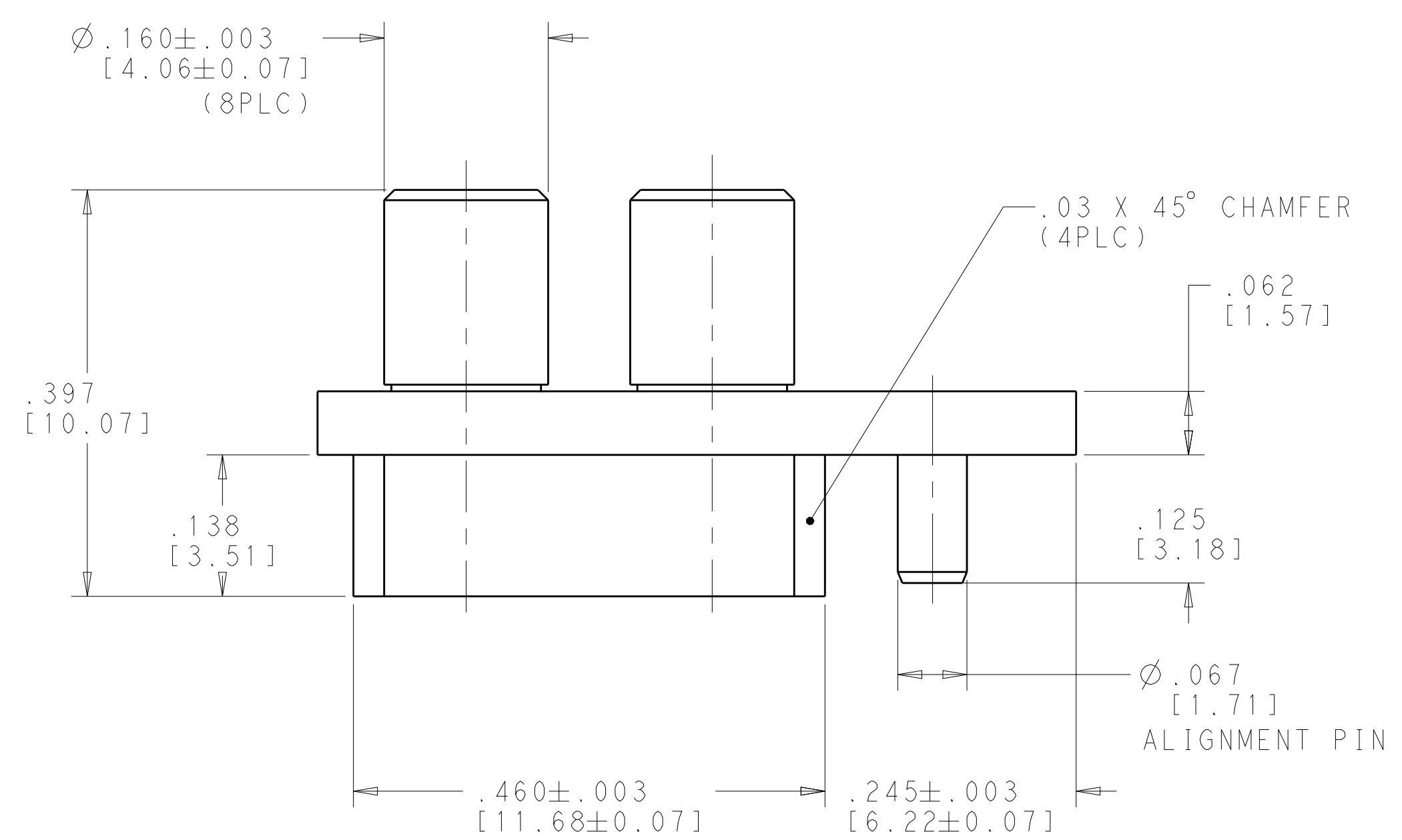
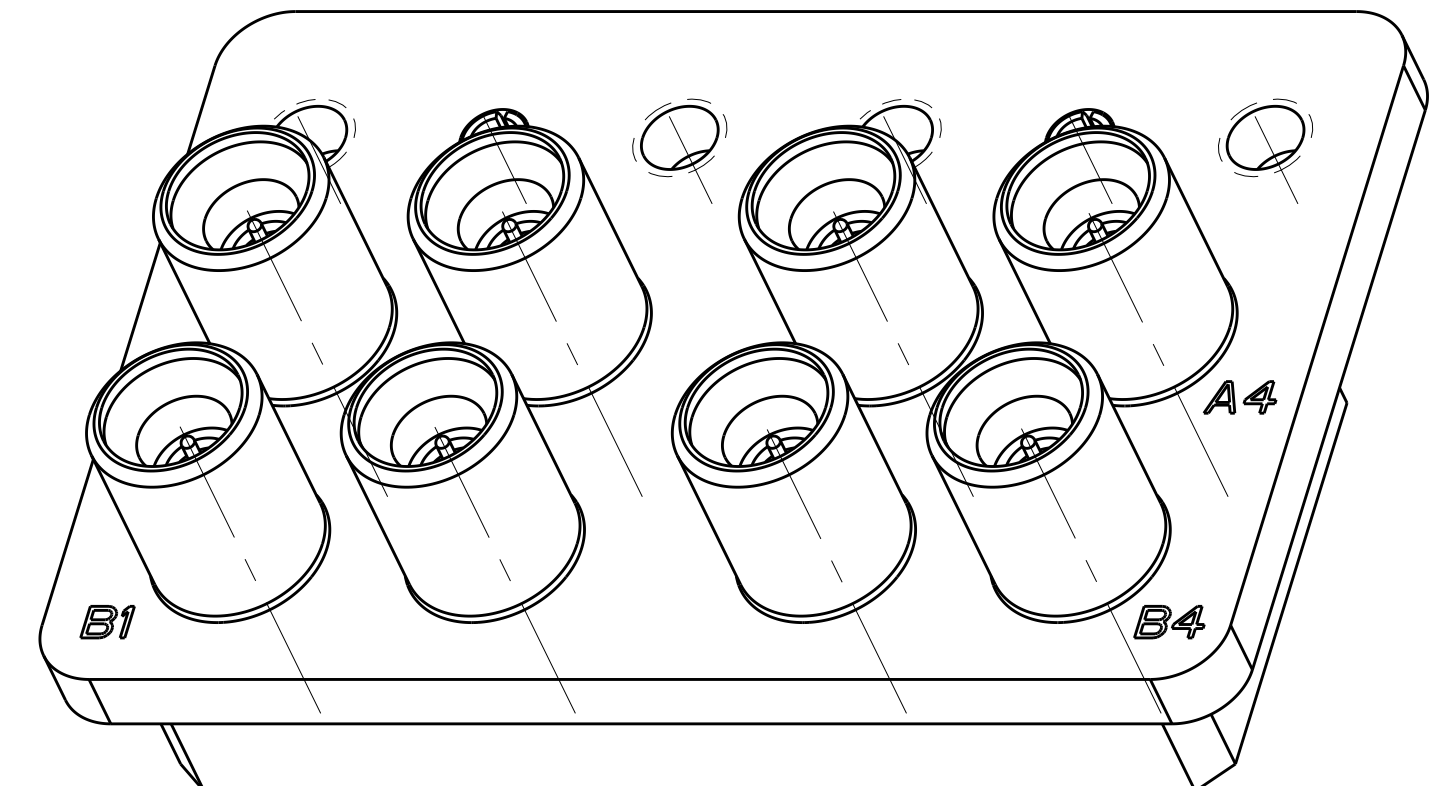
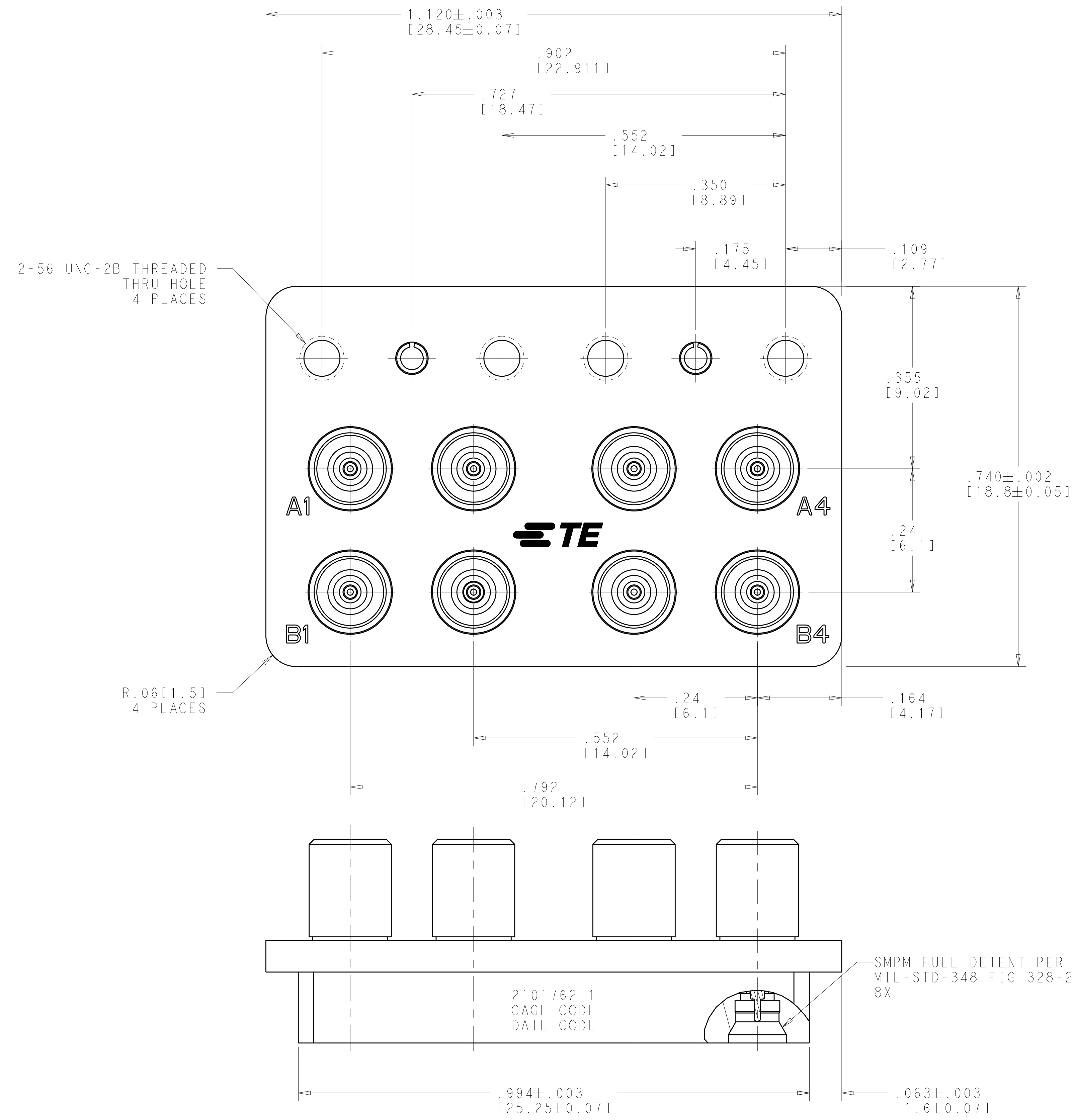


LOC		DIST		REVISIONS			
P	LTN	DESCRIPTION	DATE	DWN	APVD		
H	REV PER ECO	16-014836	11-11-16	CT	DW		



1 MATERIAL:
 SMOOTHBORE SMPM CONNECTOR BODY & CENTER CONTACT - BERYLLIUM COPPER, ALLOY UNS C17300 CONDITION TDO4, PER ASTM B196.
 INSULATORS - TEFLON (PTFE) ROD, PER ASTM D 1710.
 MODULE BODY - STAINLESS STEEL, PER UNS S30300
 SLOTTED SPRING PIN - NICKEL STAINLESS STEEL

2 FINISH:
 CONNECTOR BODIES AND CENTER CONTACTS - GOLD PLATE OVER NICKEL
 SLOTTED SPRING PIN - PASSIVATED

2101762-1
PART NUMBER

THIS DRAWING IS A CONTROLLED DOCUMENT.		DWN S.T. Morley 24FEB2010	TE Connectivity
DIMENSIONS: [INCHES(mm)]		CHK S.T. Morley 24FEB2010	
TOLERANCES UNLESS OTHERWISE SPECIFIED:		APVD S.T. Morley 24FEB2010	NAME 8 POSITION R.F. MODULE
0 PLC ±.1	1 PLC ±.01	PRODUCT SPEC	P.C.B. MOUNT - BACKPLANE
2 PLC ±.005	3 PLC ±.001	APPLICATION SPEC	2-56 UNC TAPPED MOUNTING HOLES
4 PLC ±.0005	ANGLES ±1.0°	WEIGHT	SIZE CAGE CODE DRAWING NO RESTRICTED TO
MATERIAL	FINISH	CUSTOMER DRAWING	A100779C=2101762
		SCALE 8:1	SHEET 1 OF 1 REV H