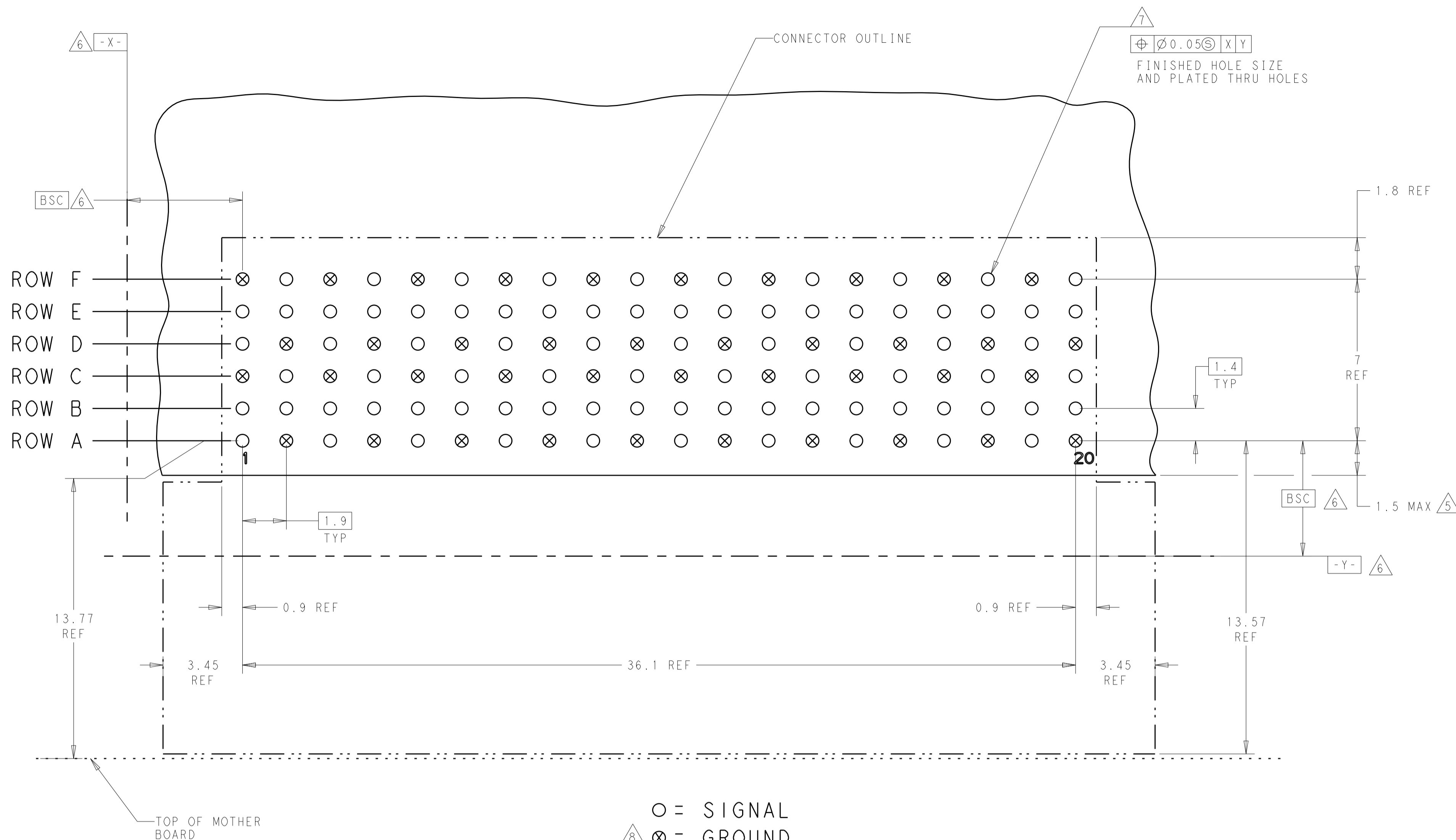
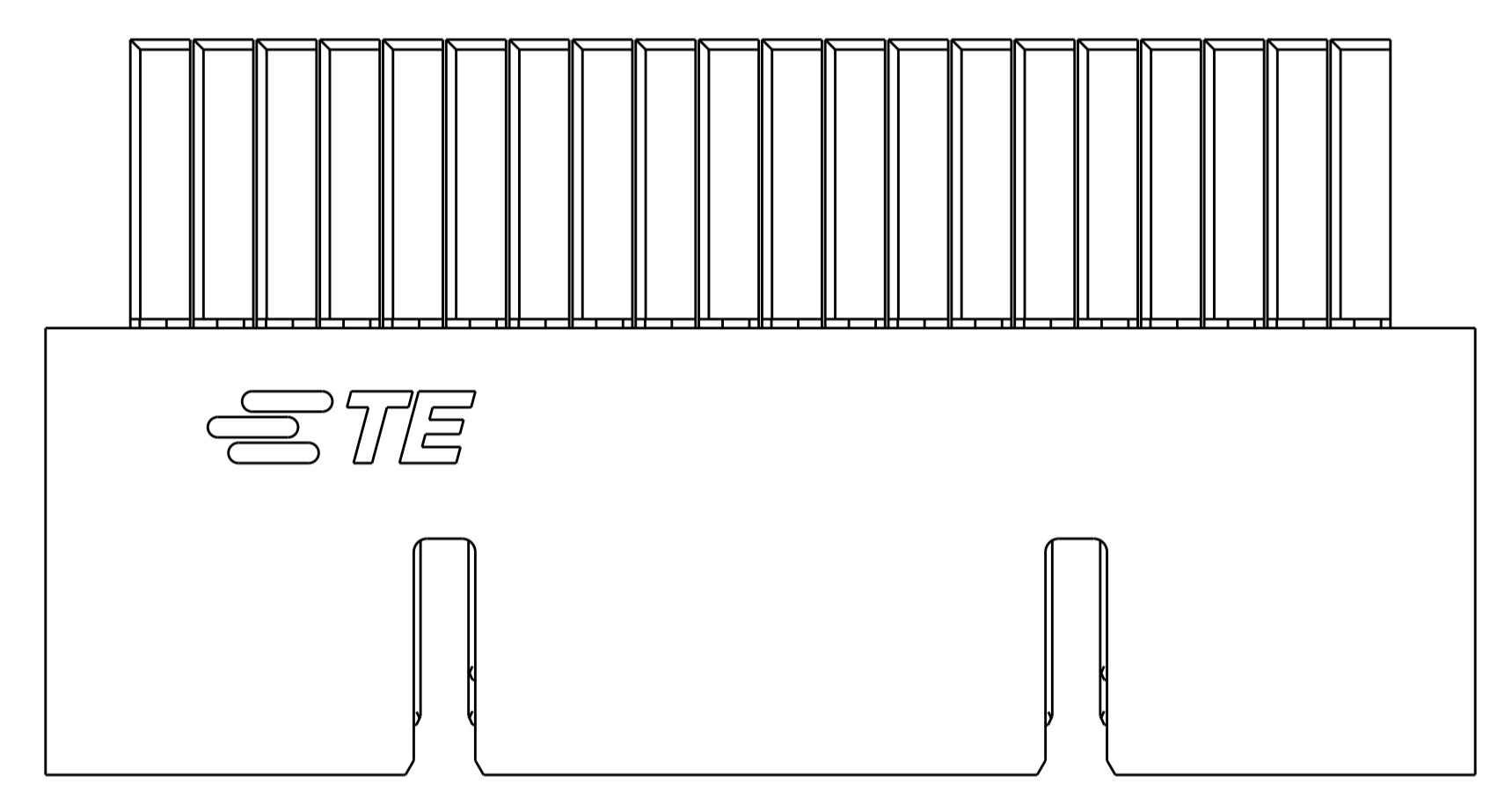


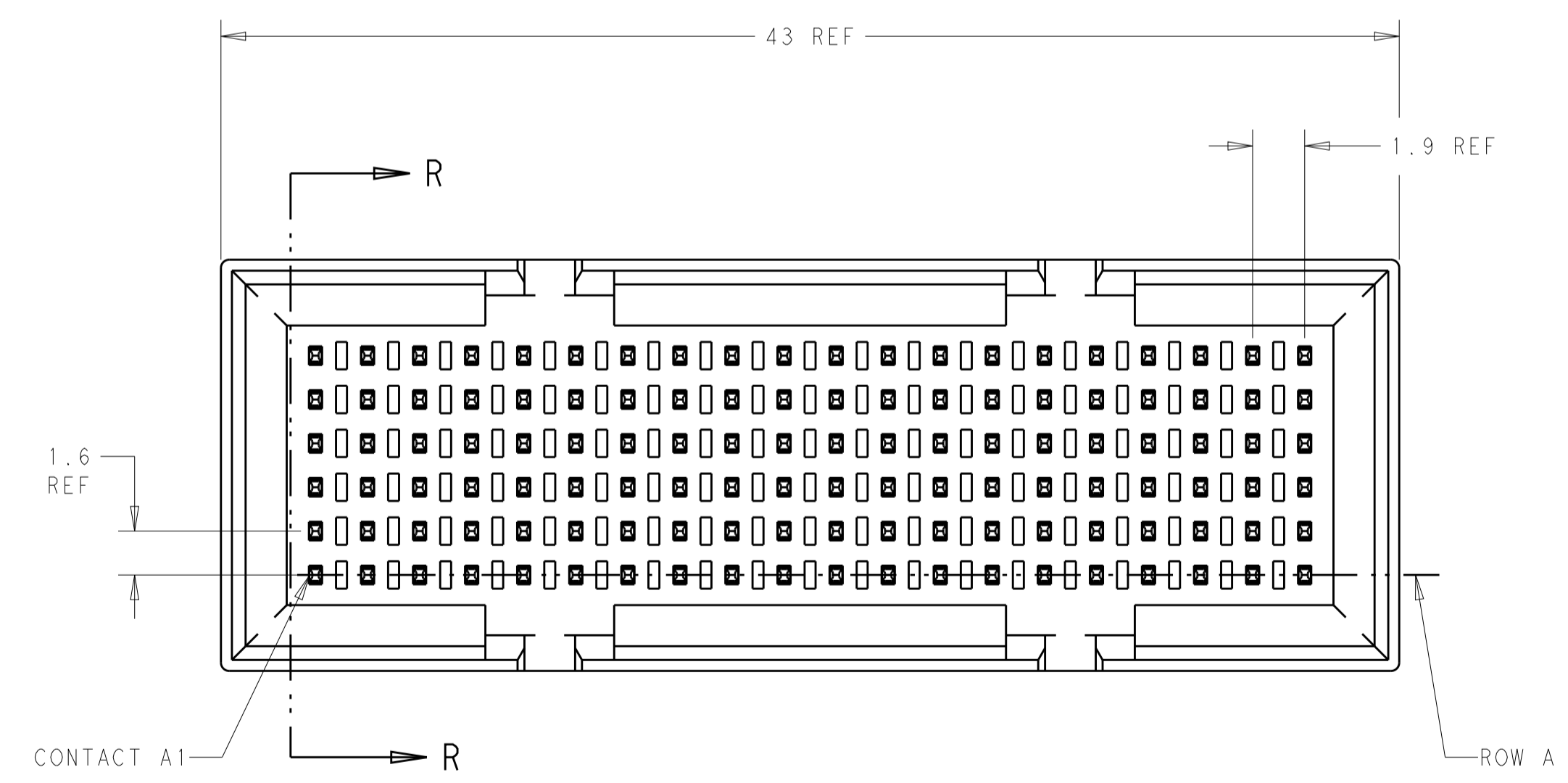
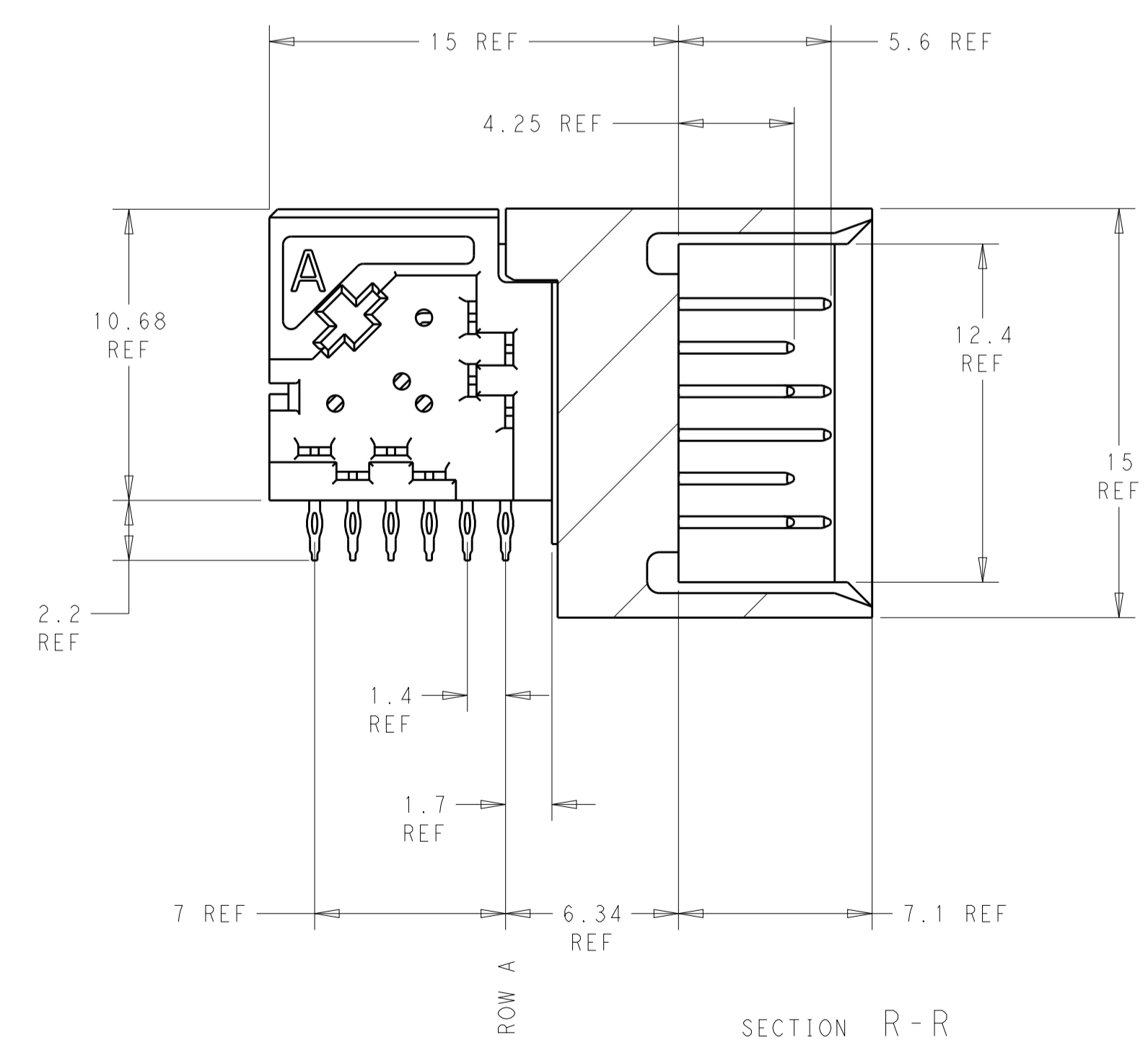
LOC		DIST		REVISIONS			
P	LTN	DESCRIPTION	DATE	DWN	APVD		
A		REVISED PER ECO-12-018102	11OCT2012	MGM	CT		
B		ECO-13-004759	01APR2013	KG	DH		



RECOMMENDED DIFFERENTIAL PAIR PC BOARD LAYOUT  
COMPONENT SIDE SHOWN  
SCALE 8:1



- 1 MATERIAL:  
CONTACT AND SHIELD: COPPER ALLOY  
HOUSING AND CHICKLET: LCP, COLOR: BLACK
- 2 FINISH:  
CONTACT: MATING AREA: 1.27µm MIN GOLD OVER  
1.27µm MIN NICKEL  
SHIELD: 1.27µm MIN NICKEL
- 3 FINISH:  
COMPLIANT PIN AREA: 0.5µm MIN BRIGHT TIN LEAD OVER  
1.27µm MIN NICKEL
- 4 FINISH:  
COMPLIANT PIN AREA: 0.5µm MIN MATTE TIN OVER  
1.27µm MIN NICKEL
- 5 DIMENSION APPLIES TO CENTERLINE OF THRU HOLE.
- 6 DATUMS AND BASIC DIMENSIONS ESTABLISHED BY CUSTOMER.
- 7 REFERENCE APPLICATION SPEC 114-13267 FOR RECOMMENDED PLATED THRU HOLE DIAMETER AND PLATING THICKNESS.
- 8 RECOMMENDED DIFFERENTIAL PAIR CONFIGURATION SHOWN. THE CONNECTOR UTILIZES AN OPEN PIN FIELD AND CAN BE LAID OUT IN A SINGLE-ENDED CONFIGURATION.



2 4	2102232-2
2 3	2102232-1
FINISH	PART NUMBER

THIS DRAWING IS A CONTROLLED DOCUMENT. DIMENSIONING AND TOLERANCING PER ASME Y14.5M-2009.

DIMENSIONS: mm

TOLERANCES UNLESS OTHERWISE SPECIFIED:

0 PLC	±
1 PLC	±0.13
2 PLC	±0.05
3 PLC	±
4 PLC	±
ANGLES	±2°
FINISH	-

MATERIAL: 1

DWN: D. BELACK ZANOV2010  
CHK: A. TSANG  
APVD: M. McALONIS

PRODUCT SPEC: 108-2409  
APPLICATION SPEC: 114-13267  
WEIGHT: ~13.93g

Customer Drawing

NAME: Fortis Zd, 2-PAIR, 20-COLUMN, R/A FULL SHROUD ASSEMBLY

SIZE: A1  
CAGE CODE: 100779  
DRAWING NO: 2102232

RESTRICTED TO: -

SCALE: 5:1 SHEET 1 OF 1 REV B