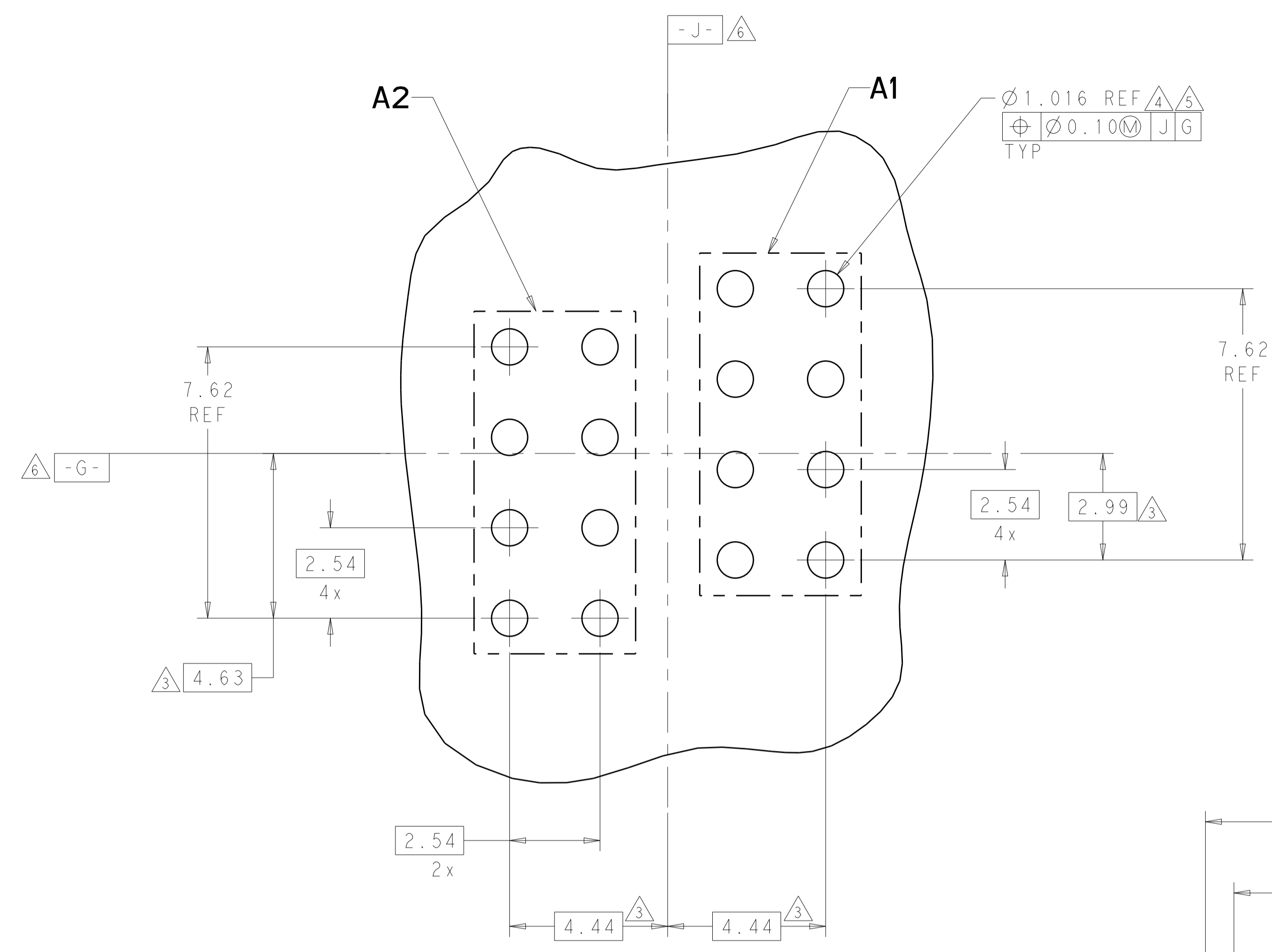
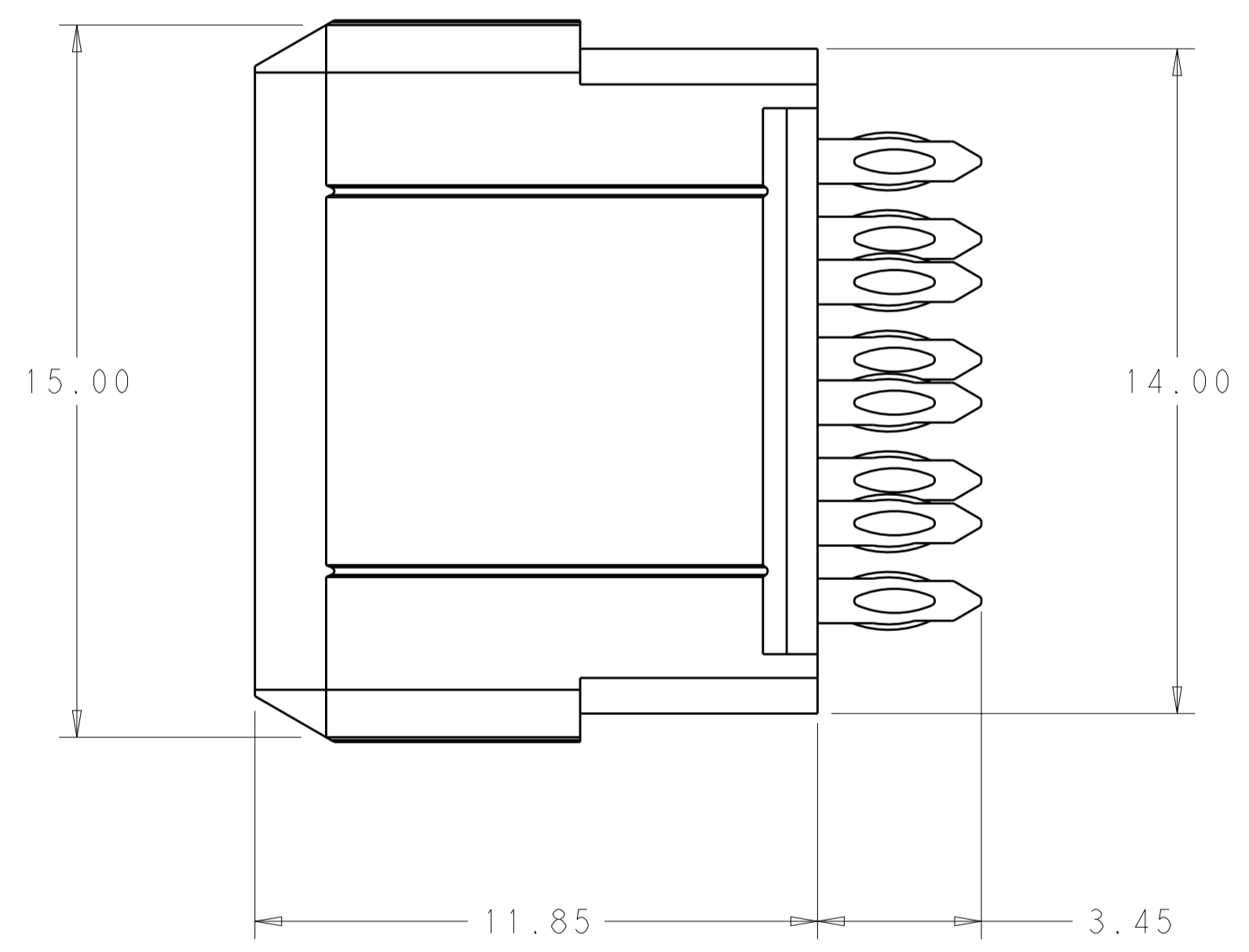
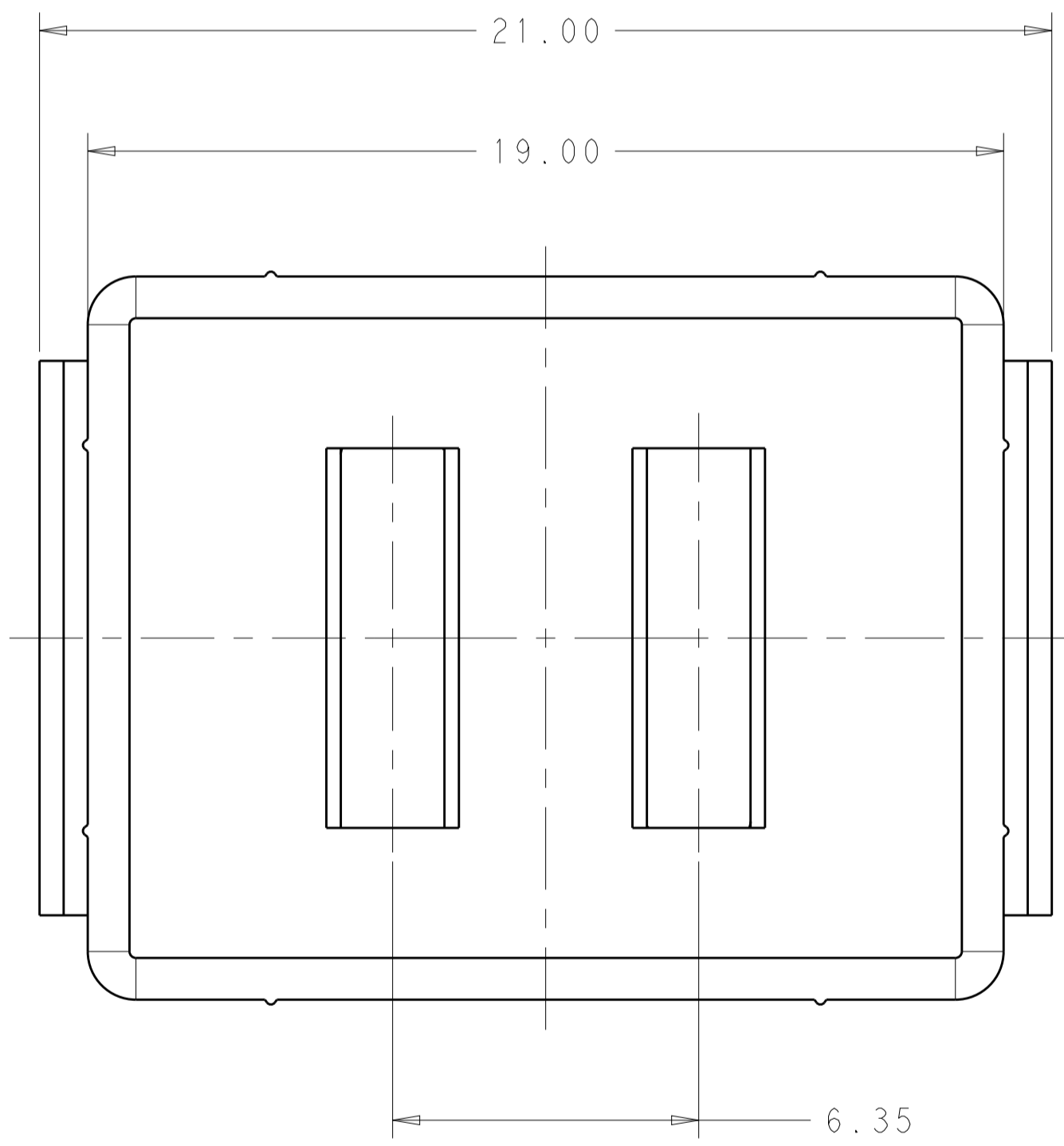


LOC	DIST	REV	DATE	BY	CHK	APPV
-	-	C	12-15-14	CT	DH	
-	-	D	30MAR2016	RS	CT	



RECOMMENDED PC BOARD LAYOUT
 COMPONENT SIDE SHOWN
 SCALE 10:1



- ① MATERIAL:
 CONTACT - COPPER ALLOY
 HOUSING - LCP, COLOR - BLACK
- ② FINISH:
 MATING AREA: 0.76µm MIN GOLD OVER
 1.27µm MIN NICKEL
 COMPLIANT PIN AREA: 2.54µm MIN MATTE TIN
- ③ DIMENSION APPLIES TO CENTERLINE OF THRU HOLE.
- ④ PCB - ALL HOLE DIAMETERS ARE FINISHED HOLE SIZES.
- ⑤ REFERENCE APPLICATION SPEC 114-13251 FOR RECOMMENDED PLATED THRU HOLE DIAMETER AND PLATING THICKNESS.
- ⑥ REFERENCE PRINT 2102428 FOR DIMENSIONS.

THIS DRAWING IS A CONTROLLED DOCUMENT.		OWN: D. BELACK CHK: K. THACKSTON APPV: M. McALONIS	DATE: 10MAR2011	2102442-1	
DIMENSIONS: mm		TOLERANCES UNLESS OTHERWISE SPECIFIED:	STE TE Connectivity		
0 PLC	±	108-2474	HIGH POWER, METAL SHELL LRU, VERTICAL SOCKET MODULE		
1 PLC	±0.13	114-13251	SIZE: A100779 C=2102442		
2 PLC	±0.10	~ 4.93g	SCALE: 8:1 SHEET 1 OF 1 REV D		
3 PLC	±		CUSTOMER DRAWING		
4 PLC	±		FINISH PART		
ANGLES	±				
MATERIAL	SEE TABLE				