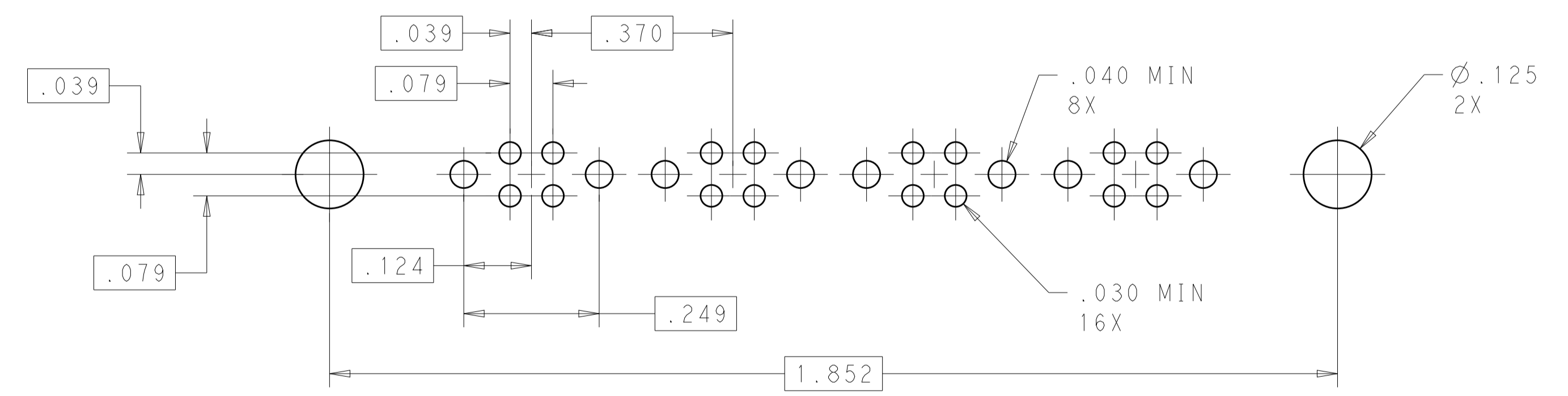
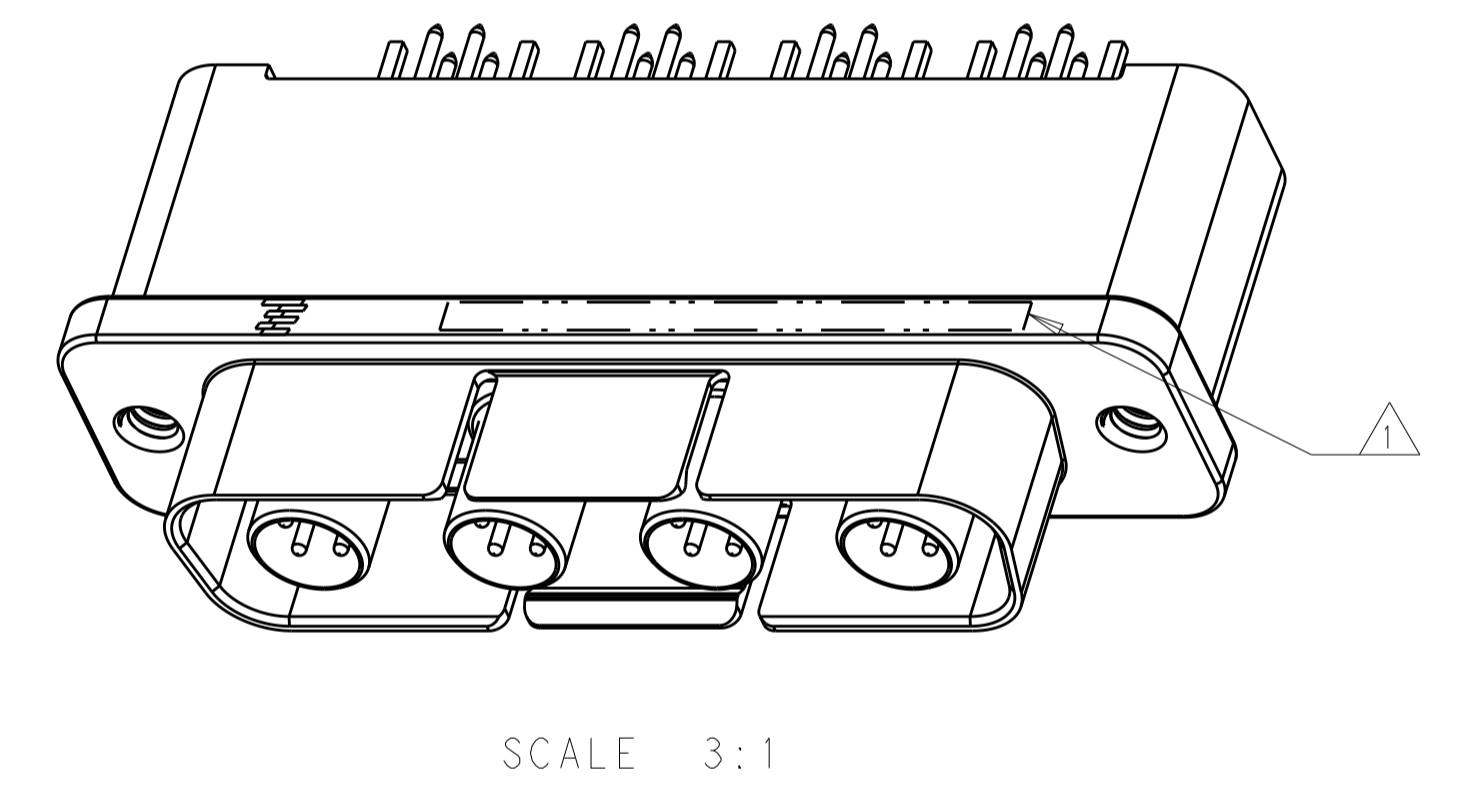
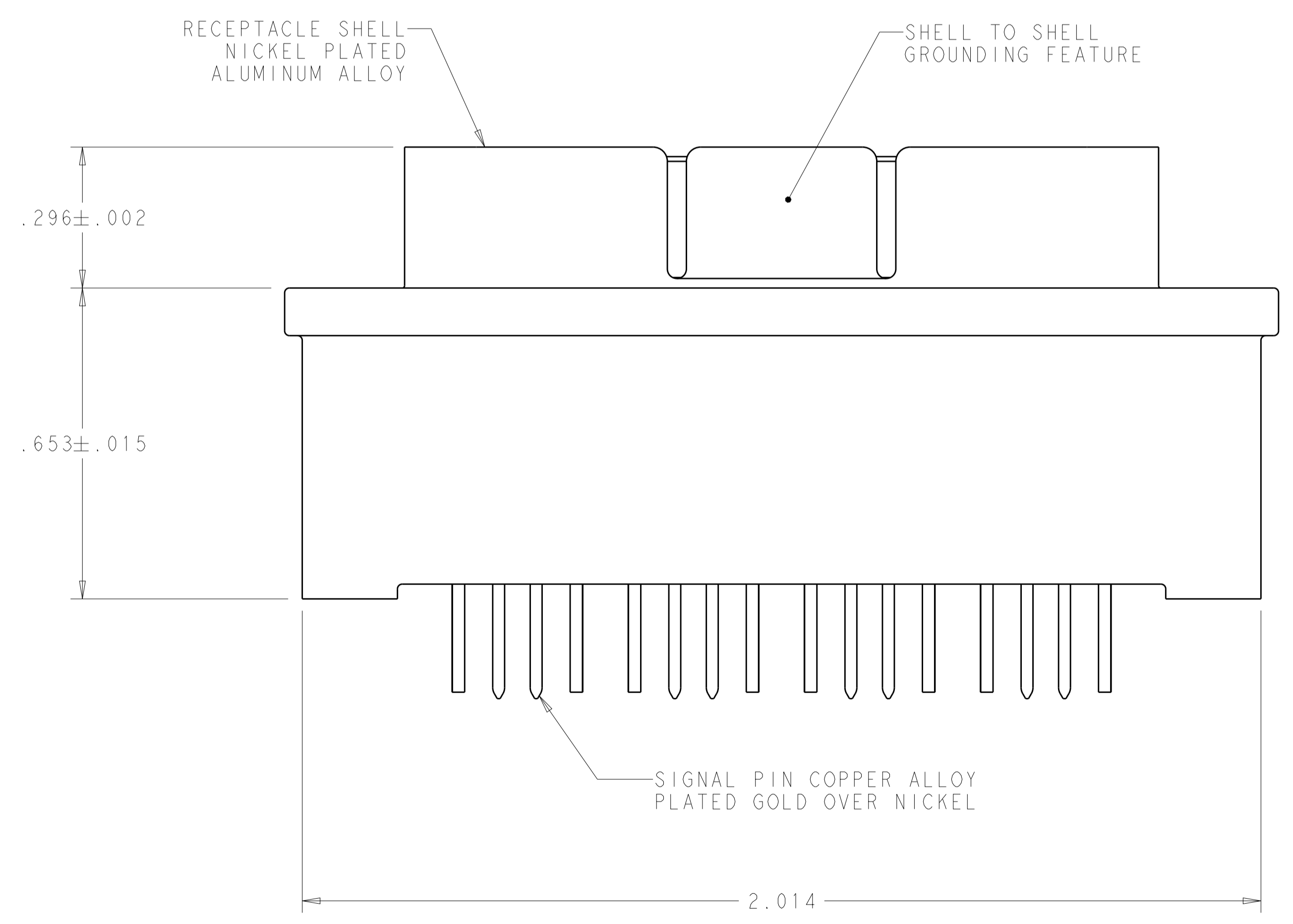
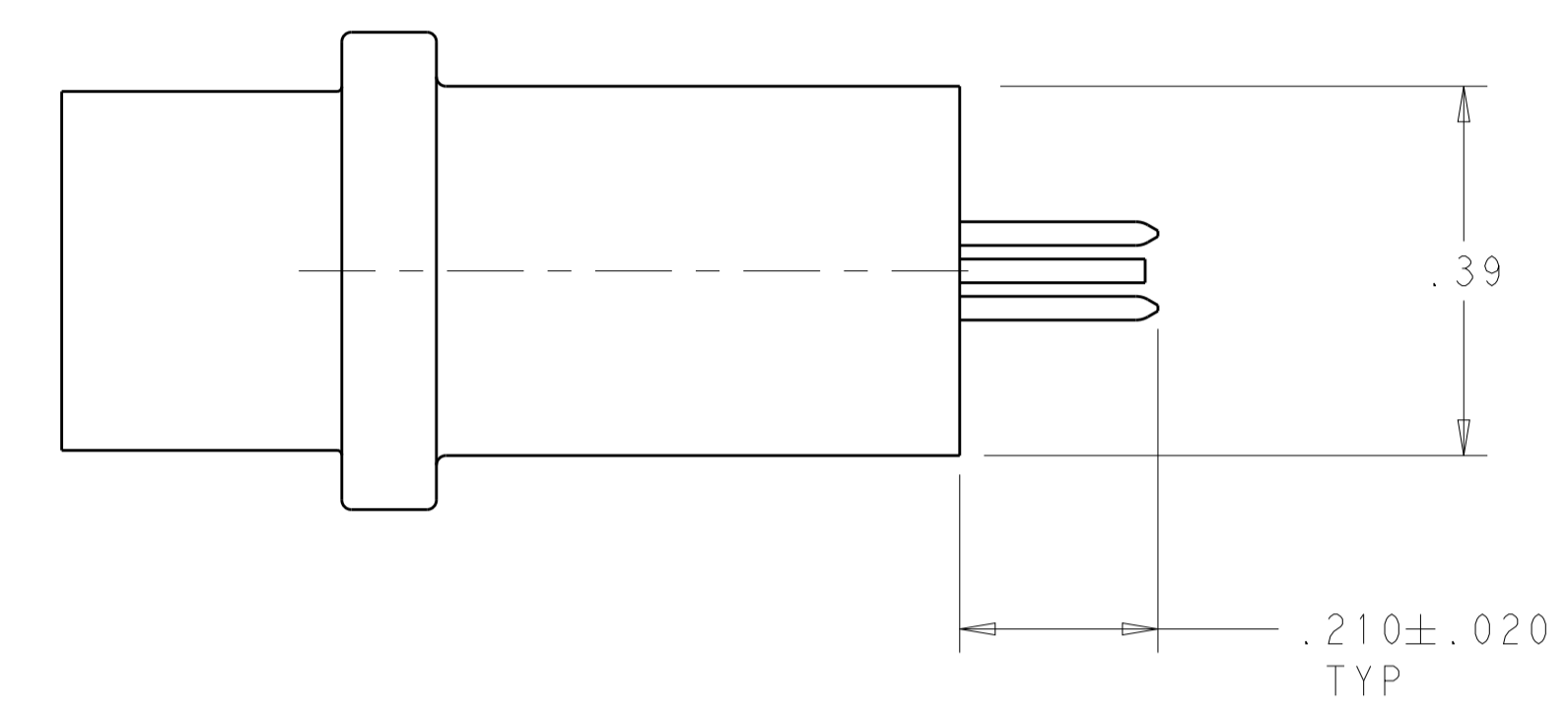
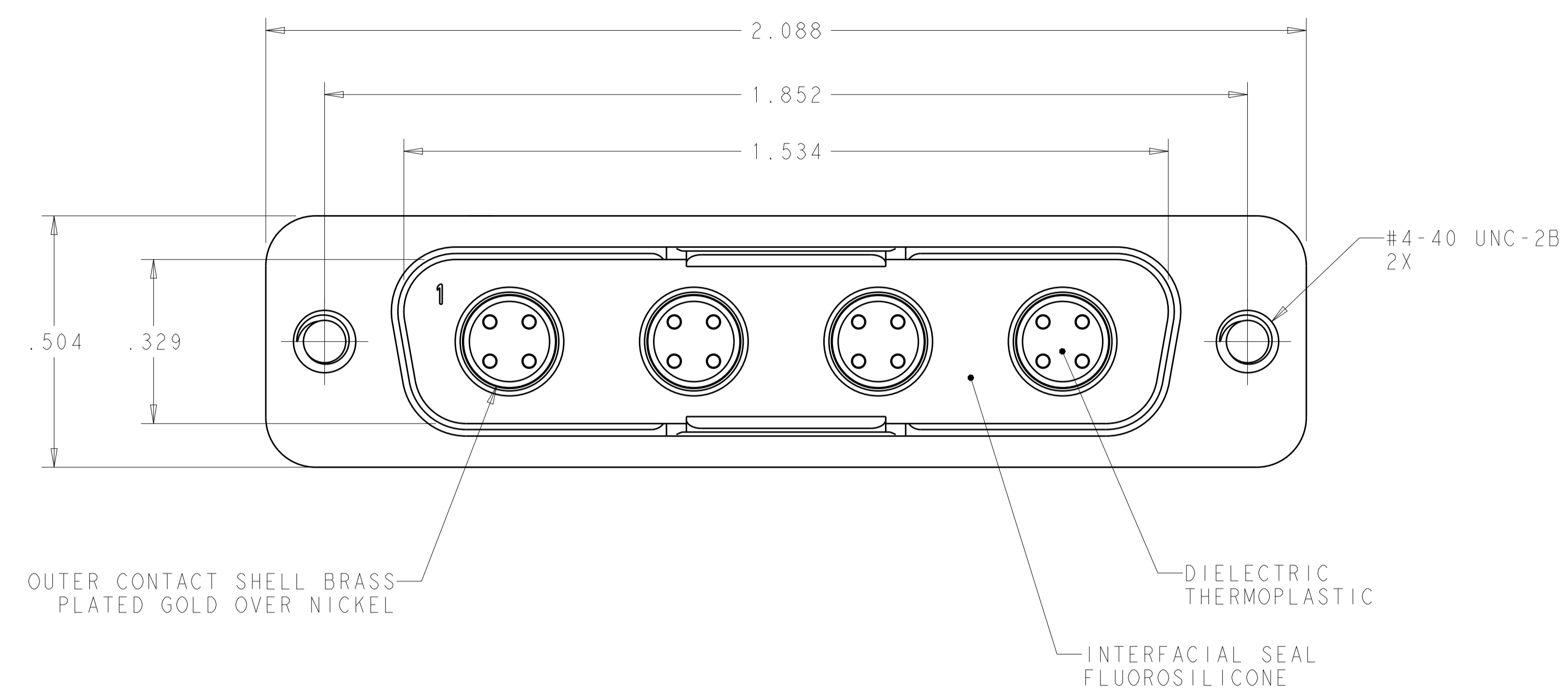


LOC		DIST		REVISIONS			
P	LTN	DESCRIPTION	DATE	DWN	APVD		
A		RELEASED PER ECO 15-013368	9-28-15	CT	DM		

△ CONNECTOR IS MARKED WITH TE PART NUMBER, TE LOGO, CAGE CODE AND DATE CODE, IN APPROXIMATE AREA SHOWN
 2. OPERATING TEMPERATURE RANGE -65°C TO 125°C (-85°F TO 257°F)



RECOMMENDED PRINTED CIRCUIT BOARD LAYOUT

2102995-1
 PART NUMBER

THIS DRAWING IS A CONTROLLED DOCUMENT.		DWN: D. BROCKWAY 05APR2012	TE Connectivity	
DIMENSIONS: INCHES		CHK: D. MILLER 9-28-15	NAME: RECEPTACLE ASSEMBLY, VERTICAL QUADRAx, PCB MOUNT, FR/FR SIZE 3, 4 POSITION	
TOLERANCES UNLESS OTHERWISE SPECIFIED:		APVD: D. MILLER 9-28-15	SIZE: CAGE CODE DRAWING NO. RESTRICTED TO	
0 PLC ±	1 PLC ±.01	PRODUCT SPEC	A100779C=2102995	
2 PLC ±.01	3 PLC ±.005	APPLICATION SPEC	SCALE 5:1 SHEET 1 OF 1 REV A	
4 PLC ±	ANGLES ±.1	114-13233		
MATERIAL SEE CALL OUTS	FINISH SEE CALL OUTS	WEIGHT	Customer Drawing	