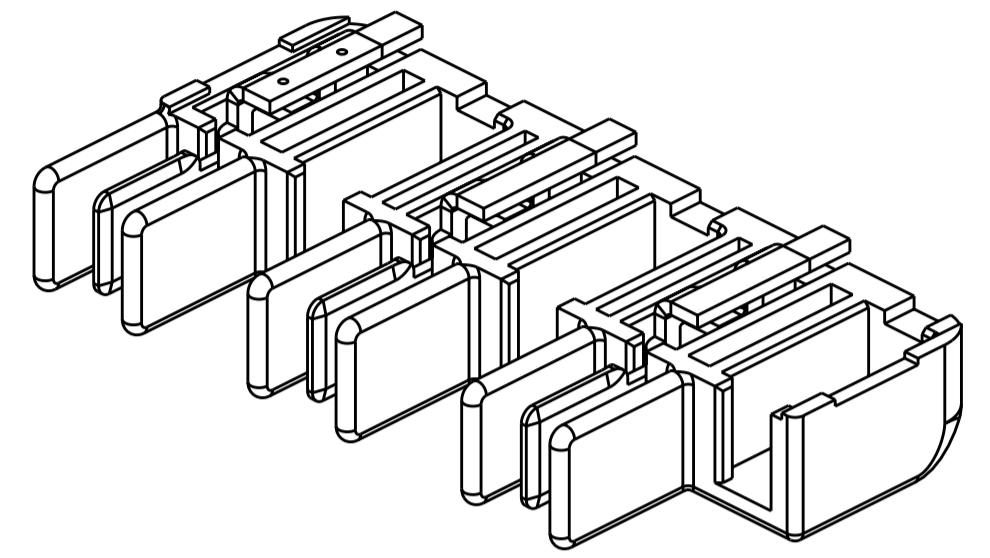
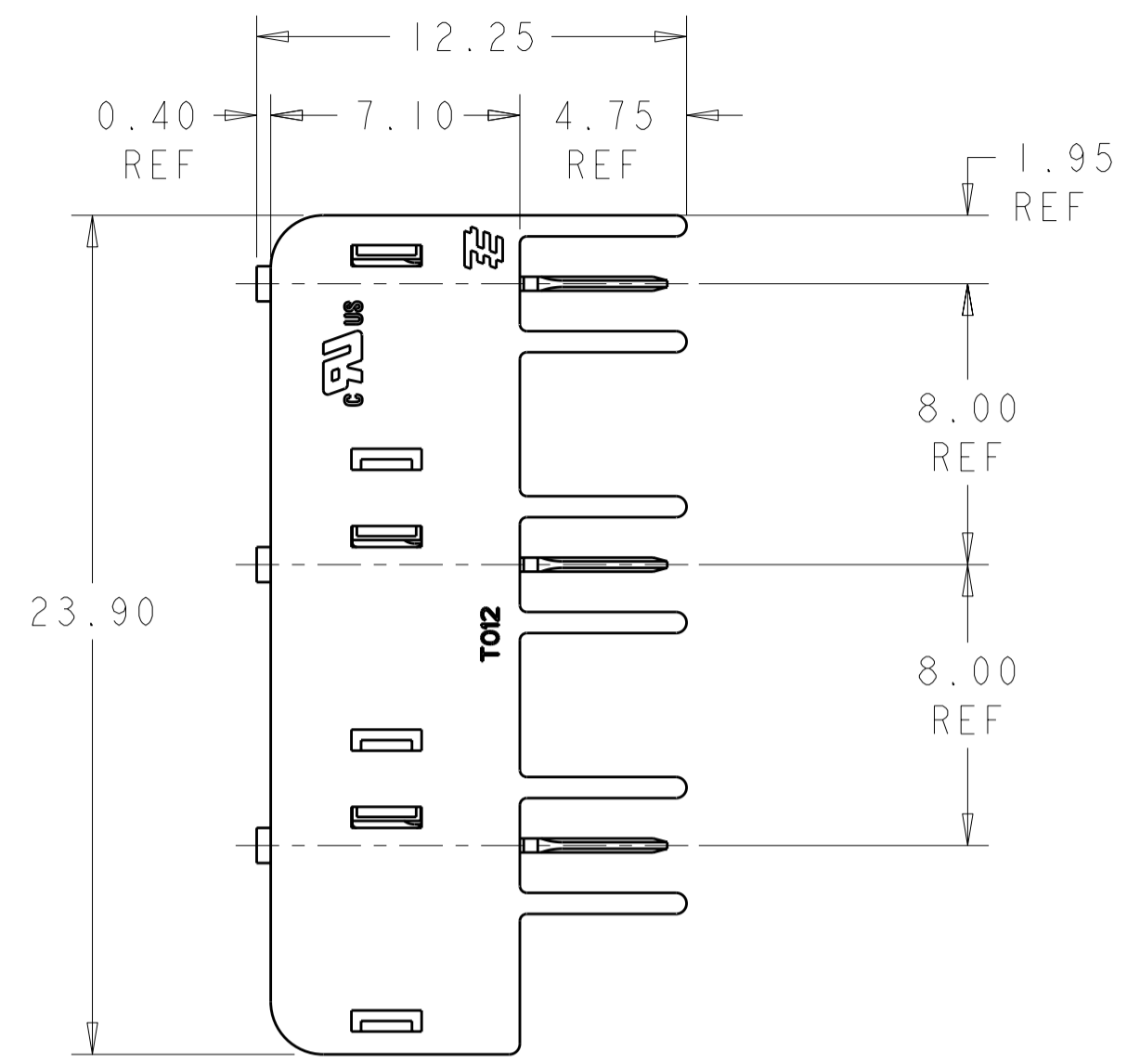


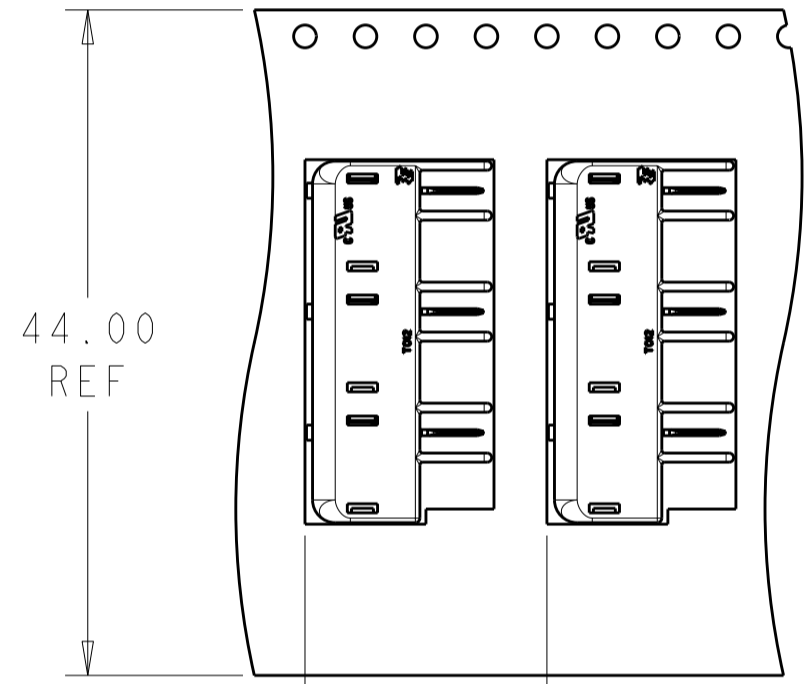
THIS DRAWING IS UNPUBLISHED. RELEASED FOR PUBLICATION 20  
 © COPYRIGHT 20 BY TYCO ELECTRONICS CORPORATION. ALL RIGHTS RESERVED.

LOC		DIST		REVISIONS			
P	LTR	DESCRIPTION	DATE	DWN	APVD		
	5	UPDATED VIEWS, 4.13 DIM WAS 4.17	31MAR2010	RB	RN		

- NOTES:
- 1. MATERIALS AND FINISH
    - HOUSING: LCP
    - CONTACTS: COPPER ALLOY, FINISH: TIN
  - 2. PRODUCT TO COMPLY WITH DIRECTIVE 2002/95/EC (ROHS)
  - 3. PACKAGED IN TAPE AND REEL PER EIA-481 SPECIFICATIONS

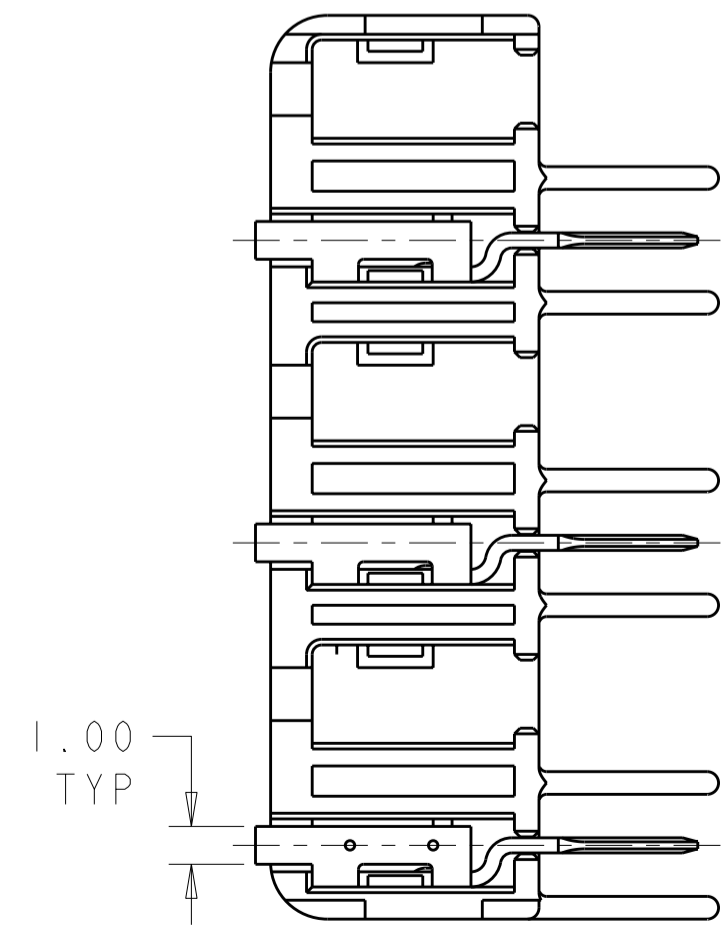
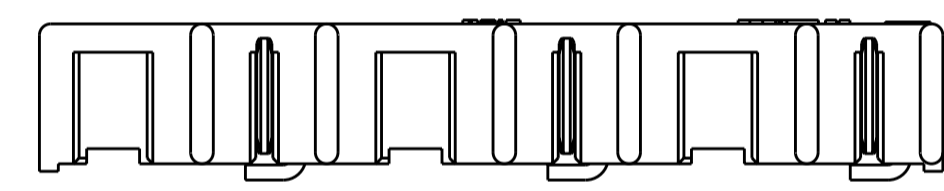
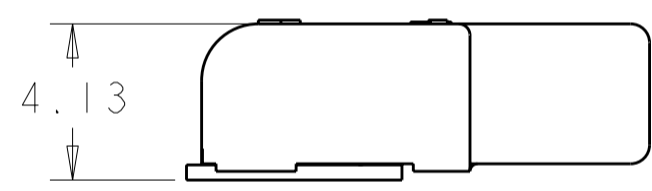


2106033-1  
SHOWN



SCALE 2:1

TO BE PACKAGED AS SHOWN



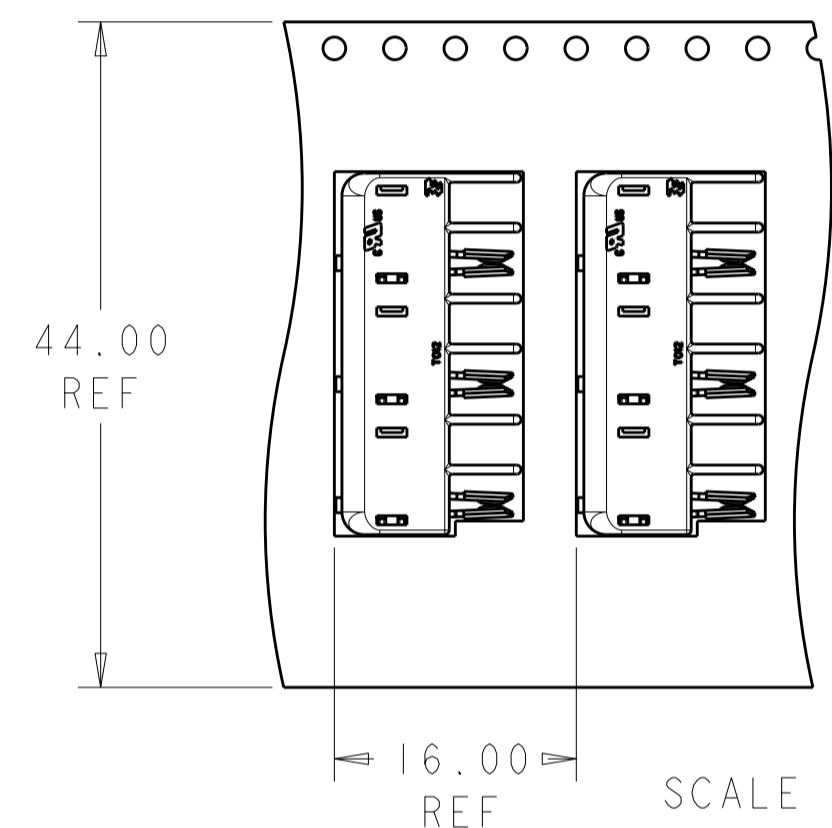
DESIGN APPROVED THIS PRINT IS  
**PRELIMINARY**  
 TO FIRST PIECE APPROVAL  
 CONTACT PRODUCT ENGINEERING  
 BEFORE USING THIS PRINT

2106033-1  
PART NO.

<small>THIS DRAWING IS A CONTROLLED DOCUMENT FOR TYCO ELECTRONICS CORPORATION          IT IS SUBJECT TO CHANGE AND THE CONTROLLING ENGINEERING ORGANIZATION          SHOULD BE CONTACTED FOR THE LATEST REVISION.</small>		DWN S. FISHER 10NOV2008 CHK R. NARANG 10NOV2008 APVD R. NARANG 12NOV2008	<b>Tyco Electronics</b> Tyco Electronics Harrisburg, PA 17105-3608
DIMENSIONS: mm 	TOLERANCES UNLESS OTHERWISE SPECIFIED: 0 PLC ± 1 PLC ±.13 2 PLC ±.013 3 PLC ±.013 4 PLC ± ANGLES ± FINISH	PRODUCT SPEC 108-2342 APPLICATION SPEC 114-13225 WEIGHT - CUSTOMER DRAWING	NAME CONNECTOR ASSEMBLY, SELECT LOADING, 6 POSITION, BLADE AND RECEPTACLE SIZE A200779 CAGE CODE C-2106033 DRAWING NO 2106033 RESTRICTED TO - SCALE 5:1 SHEET 1 OF 3 REV 5

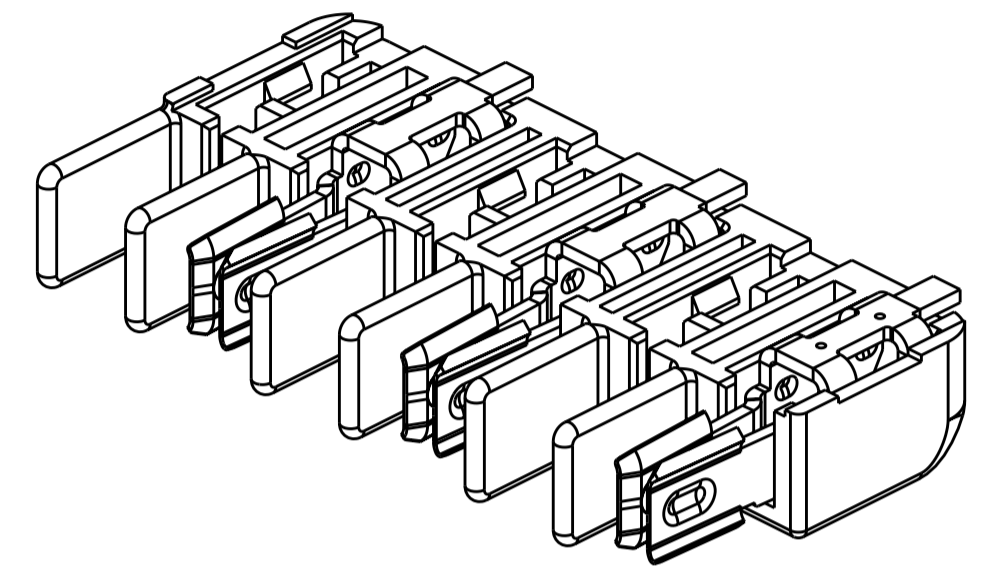
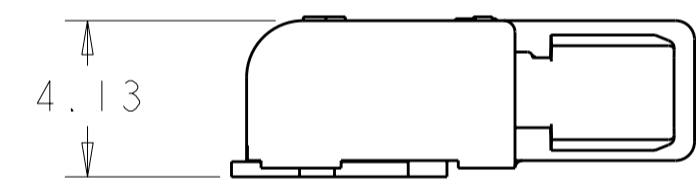
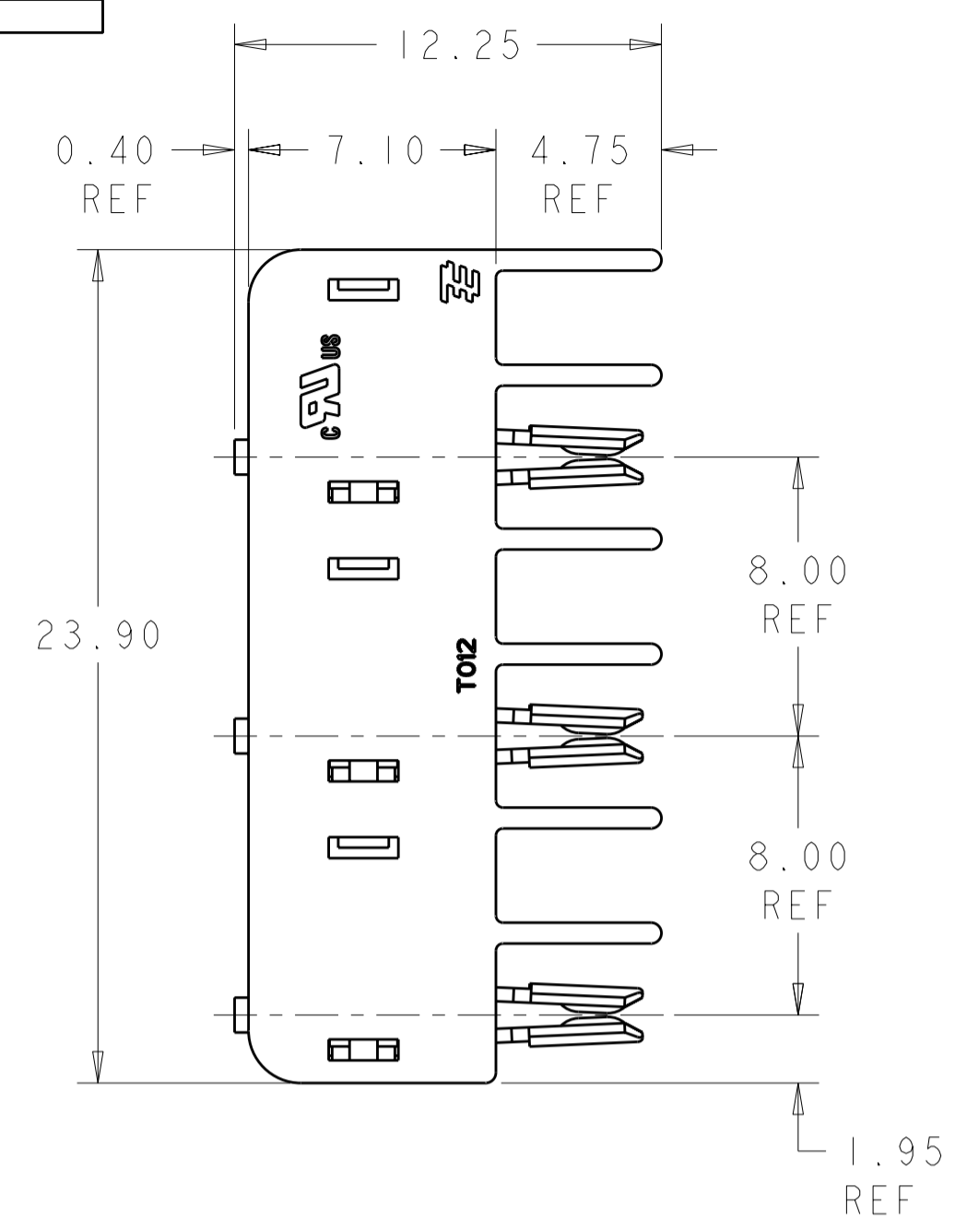
THIS DRAWING IS UNPUBLISHED. RELEASED FOR PUBLICATION 20  
 © COPYRIGHT 20 BY TYCO ELECTRONICS CORPORATION. ALL RIGHTS RESERVED.

LOC		DIST		REVISIONS			
P	LTR	DESCRIPTION	DATE	DWN	APVD		
-	-	SEE SHEET 1	-	-	-		

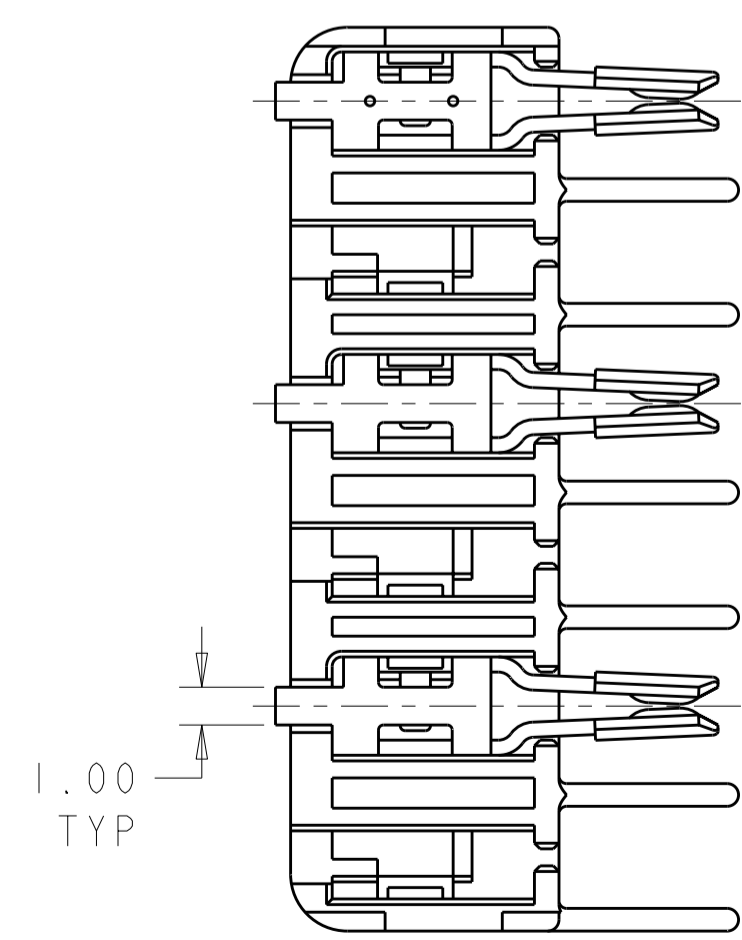
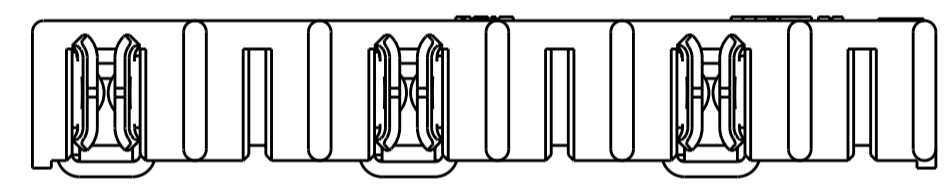


SCALE 2:1

TO BE PACKAGED AS SHOWN



2106033-2 SHOWN



DESIGN APPROVED THIS PRINT IS  
**PRELIMINARY**  
 TO FIRST PIECE APPROVAL  
 CONTACT PRODUCT ENGINEERING  
 BEFORE USING THIS PRINT

2106033-2  
 PART NO.

<small>THIS DRAWING IS A CONTROLLED DOCUMENT FOR TYCO ELECTRONICS CORPORATION. IT IS SUBJECT TO CHANGE AND THE CONTROLLING ENGINEERING ORGANIZATION SHOULD BE CONTACTED FOR THE LATEST REVISION.</small>		DWN S. FISHER 10NOV2008 CHK R. NARANG 10NOV2008 APVD R. NARANG 12NOV2008	Tyco Electronics Harrisburg, PA 17105-3608
DIMENSIONS: mm	TOLERANCES UNLESS OTHERWISE SPECIFIED: 0 PLC ± 1 PLC ±.13 2 PLC ±.13 3 PLC ±.013 4 PLC ± ANGLES ± FINISH	PRODUCT SPEC 108-2342 APPLICATION SPEC 114-13225 WEIGHT - CUSTOMER DRAWING	NAME CONNECTOR ASSEMBLY, SELECT LOADING, 6 POSITION, BLADE AND RECEPTACLE SIZE A200779 CAGE CODE C-2106033 DRAWING NO. 2106033 RESTRICTED TO -
		SCALE 5:1	SHEET 2 OF 3 REV 5