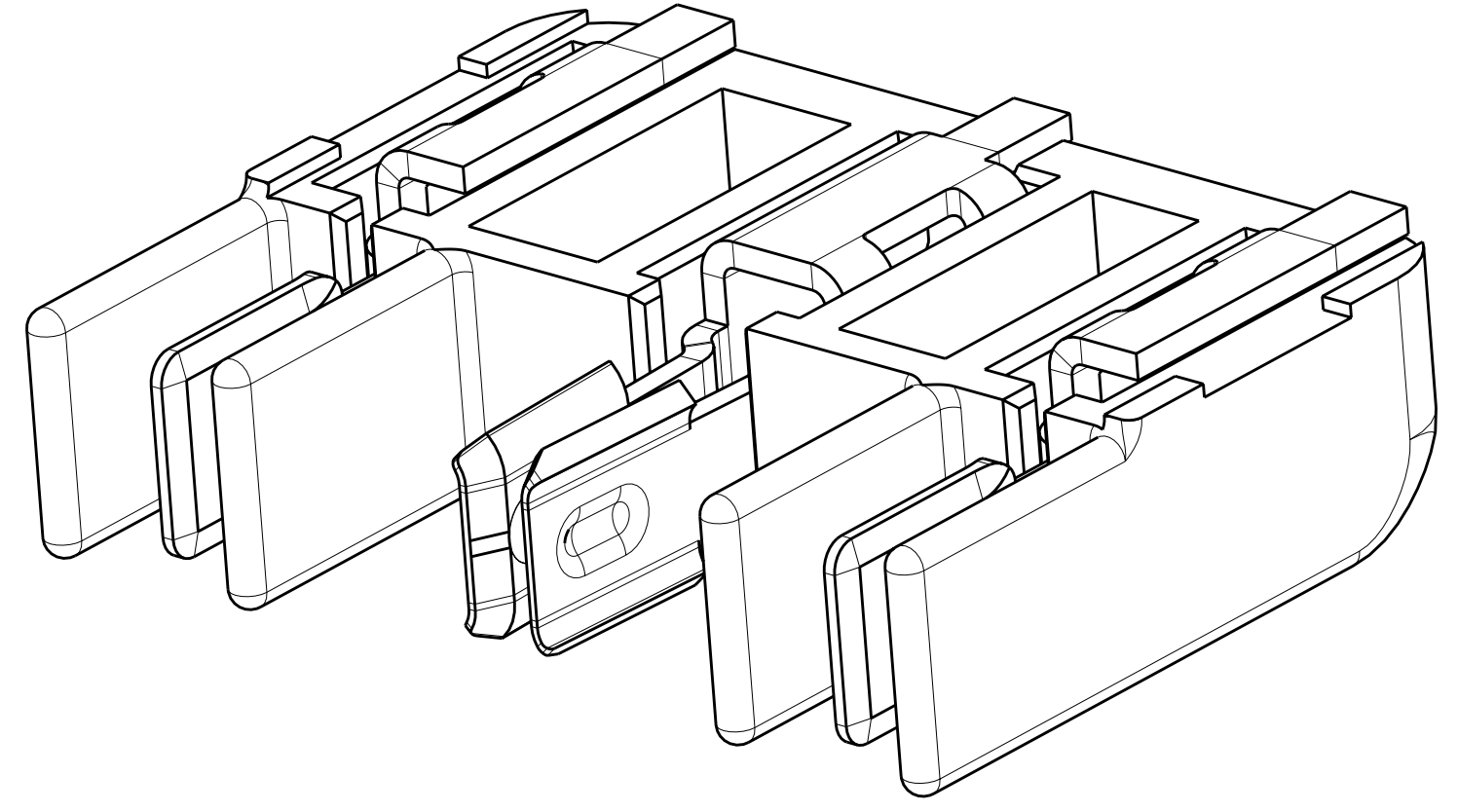
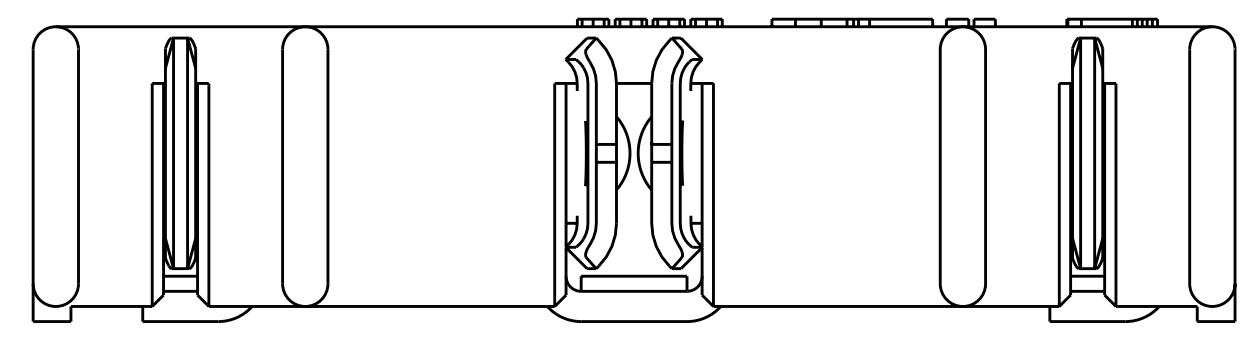
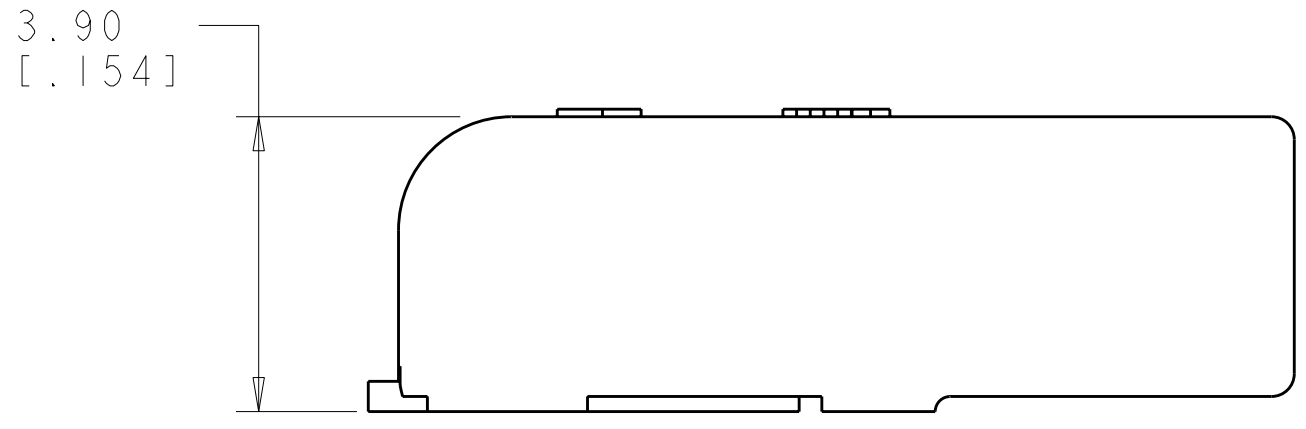
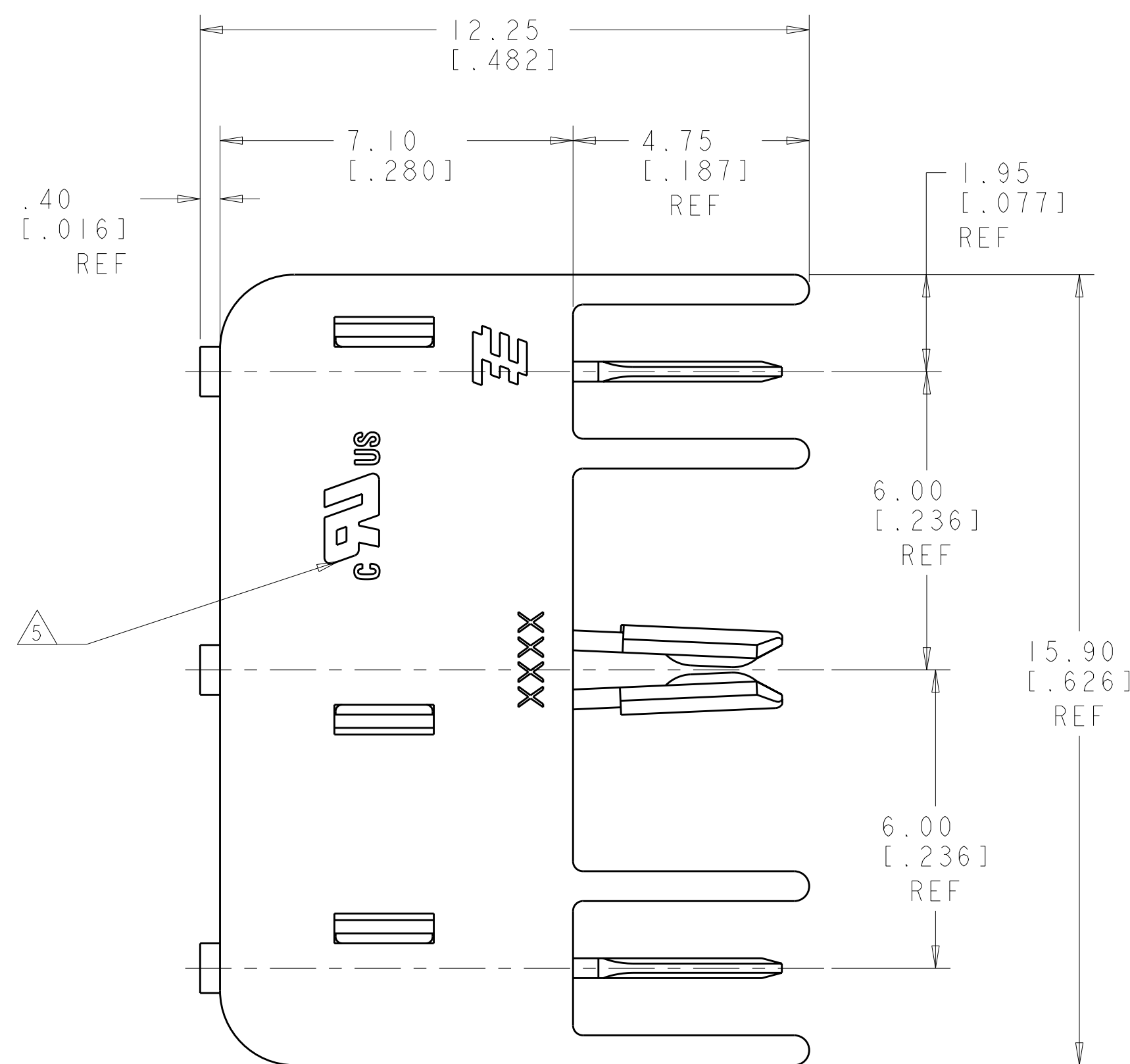
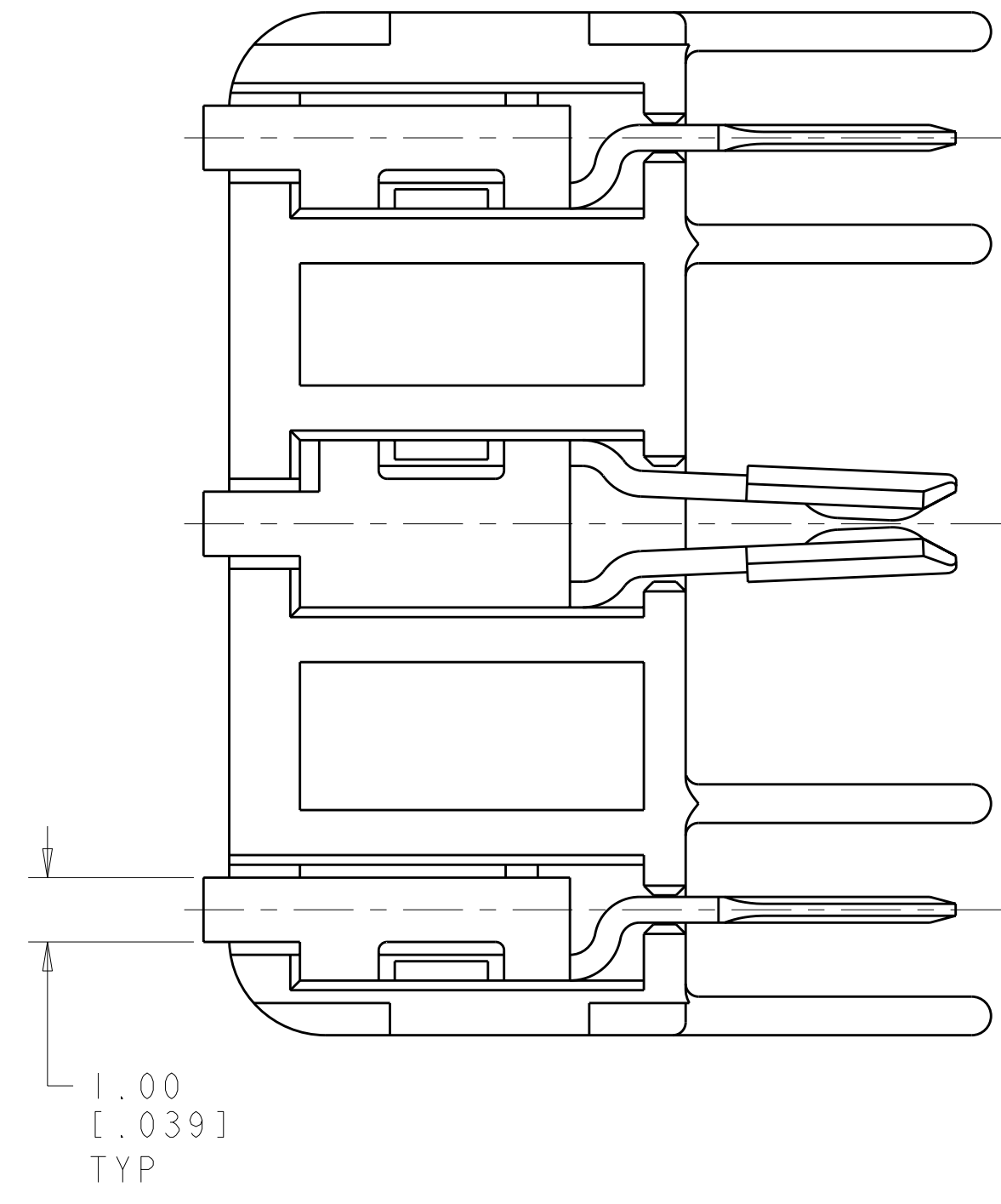


LOC	DIST	REV	DATE	BY	APPD
-	-	1	09DEC2008	-	-



2106090-1
SHOWN

- △ MATERIALS AND FINISH
 - HOUSING : LCP
 - CONTACTS: COPPER ALLOY
 FINISH: TIN
- PRODUCT TO COMPLY WITH DIRECTIVE 2002/95/EC (ROHS)
 - PACKAGED IN TAPE AND REEL PER EIA-481 SPECIFICATIONS
 - PRODUCT HAS NOT COMPLETED VALIDATION TESTING
- △ PENDING APPROVAL



TYCO ELECTRONICS
 CONFIDENTIAL
 AND PROPRIETARY
 PROPOSED DESIGN
 NOT PRODUCTION TOOLED
 DESIGN IS SUBJECT TO
 CHANGE WITHOUT NOTICE

2106090-1
PART NO.

<small>THIS DRAWING IS UNPUBLISHED. RELEASED FOR PUBLICATION BY TYCO ELECTRONICS CORPORATION. ALL RIGHTS RESERVED.</small> DIMENSIONS: mm [INCHES]		TOLERANCES UNLESS OTHERWISE SPECIFIED: 9 PLC ±.13 8 PLC ±.013 5 PLC ±. 4 PLC ±. ANGLES ±°		DWN: OMPRAKASH 06DEC2008 CHK: R NARANG 10DEC2008 APVD: -		Tyco Electronics Harrisburg, PA 17105-3608	
MATERIAL: △		FINISH: △		PRODUCT SPEC: - APPLICATION SPEC: -		NAME: 3 POSITION BLADE AND RECEPTACLE	
CUSTOMER DRAWING		SCALE: 6:1		SHEET 1 OF 3		REV 1	

