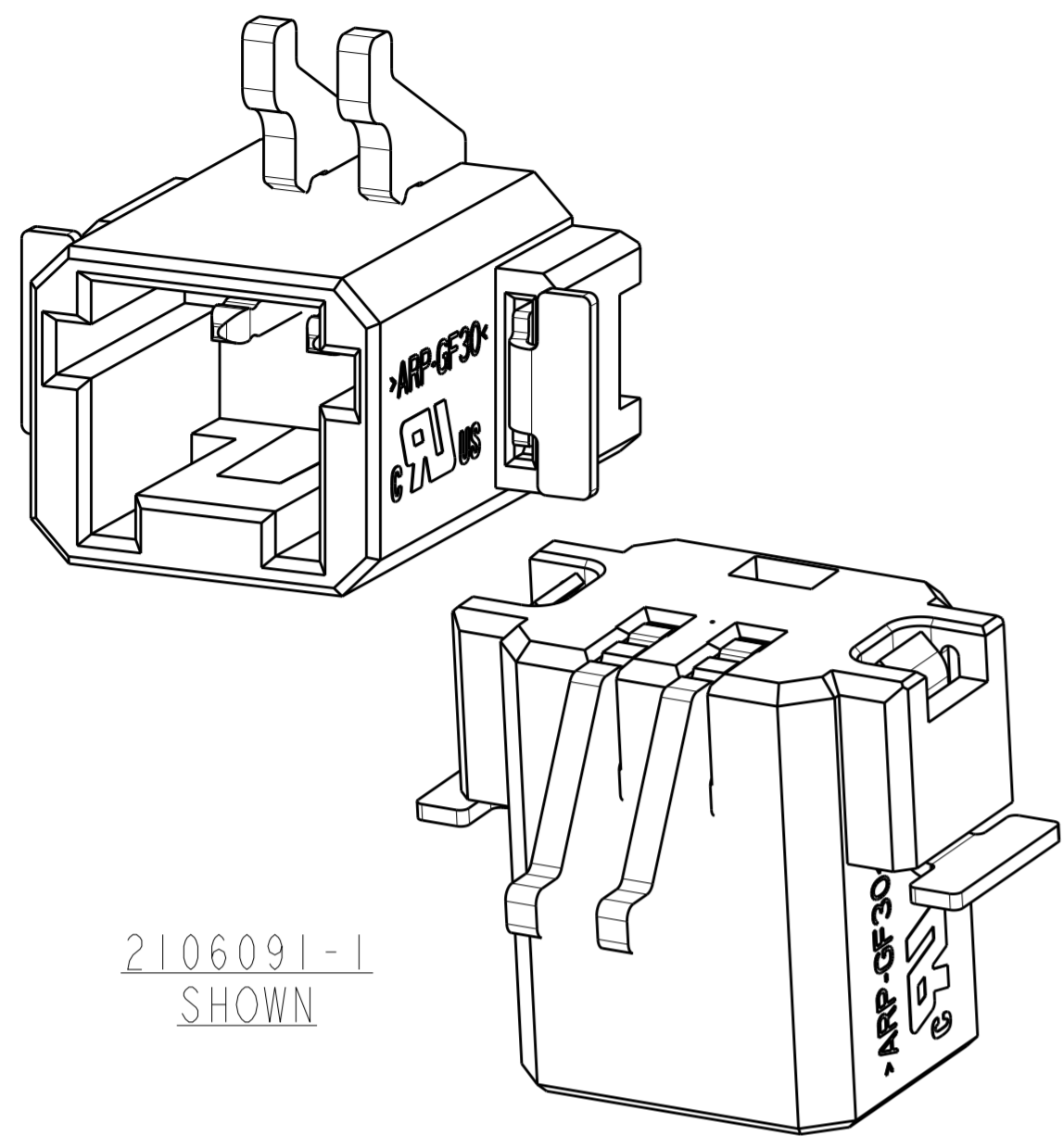
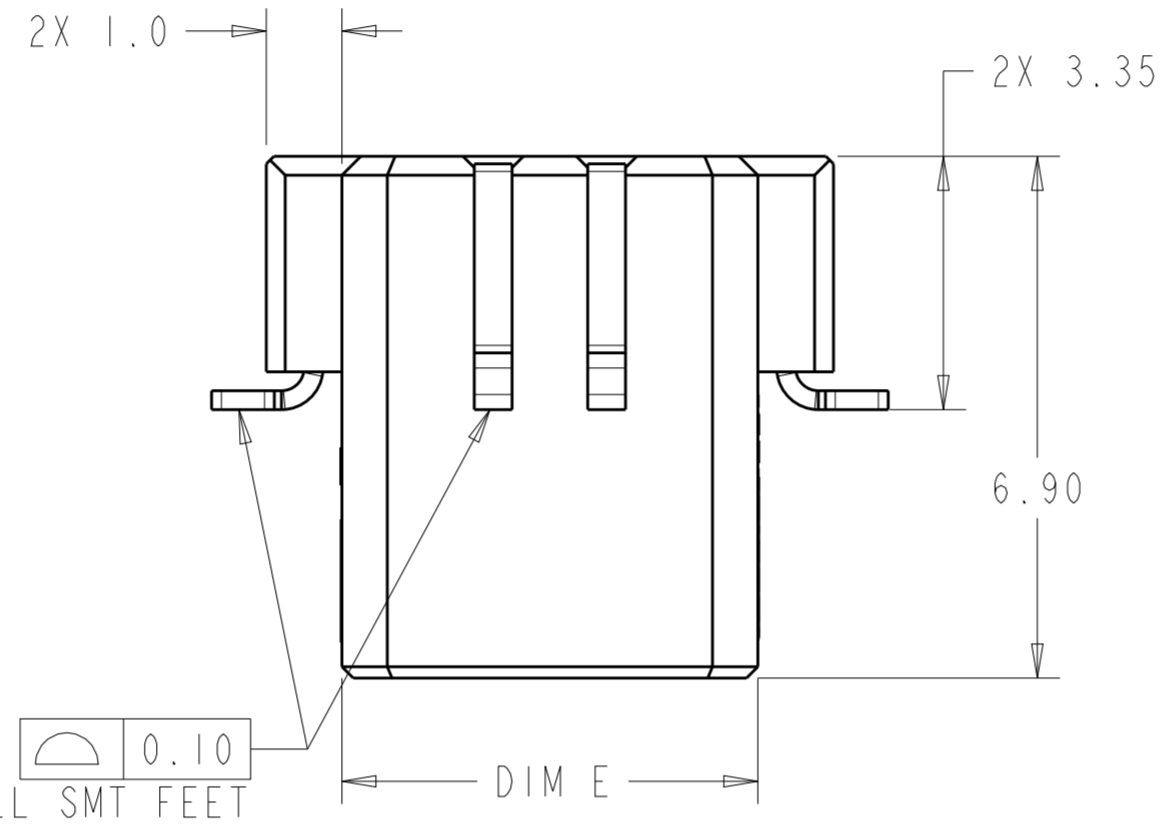
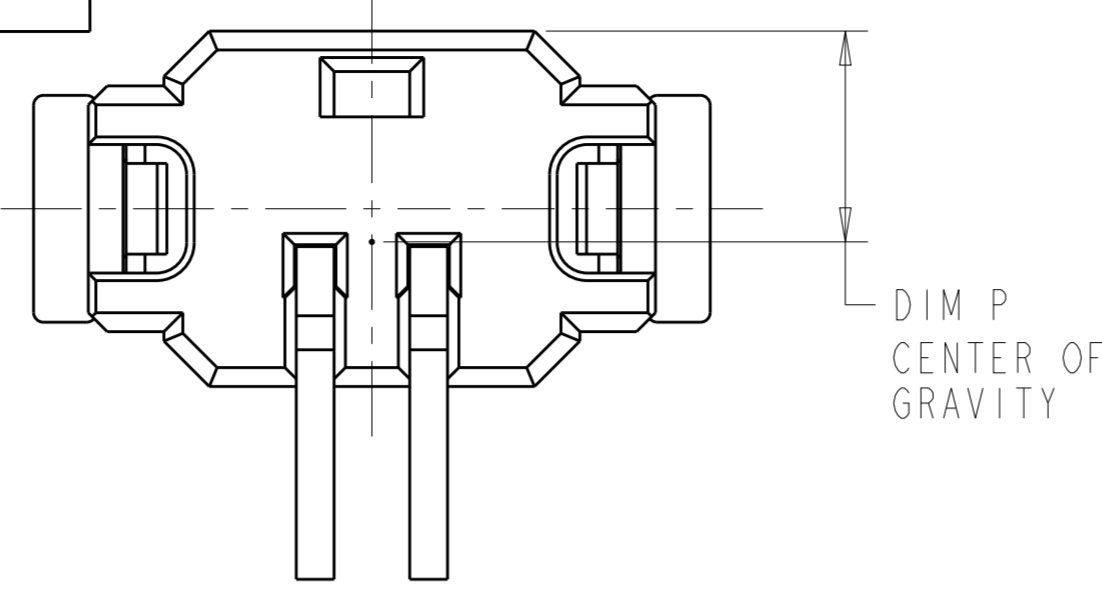


THIS DRAWING IS UNPUBLISHED. RELEASED FOR PUBLICATION 20  
 © COPYRIGHT 20 BY - ALL RIGHTS RESERVED.

REVISIONS						
LOC	DIST	P	LTR	DESCRIPTION	DATE	APVD
-	-	A1		REVISED PER ECO-11-004587	11MAR2011	RK HMR
		A2		REVISED PER ECR-14-018652	19DEC2014	RS DD
		B		REVISED PER ECR-17-001614	06APR2017	SK DD

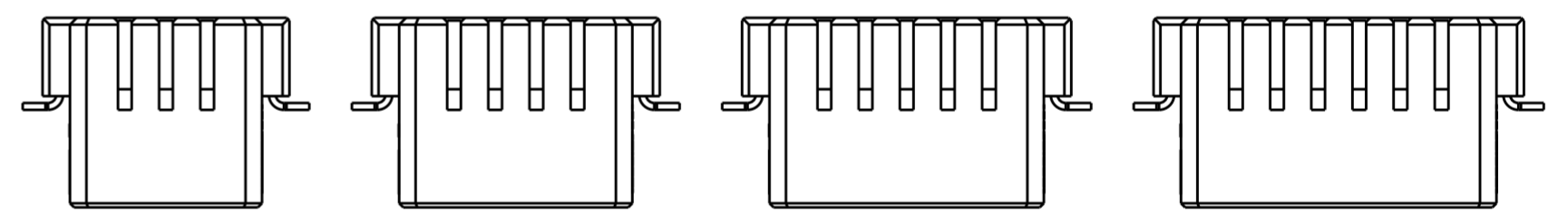
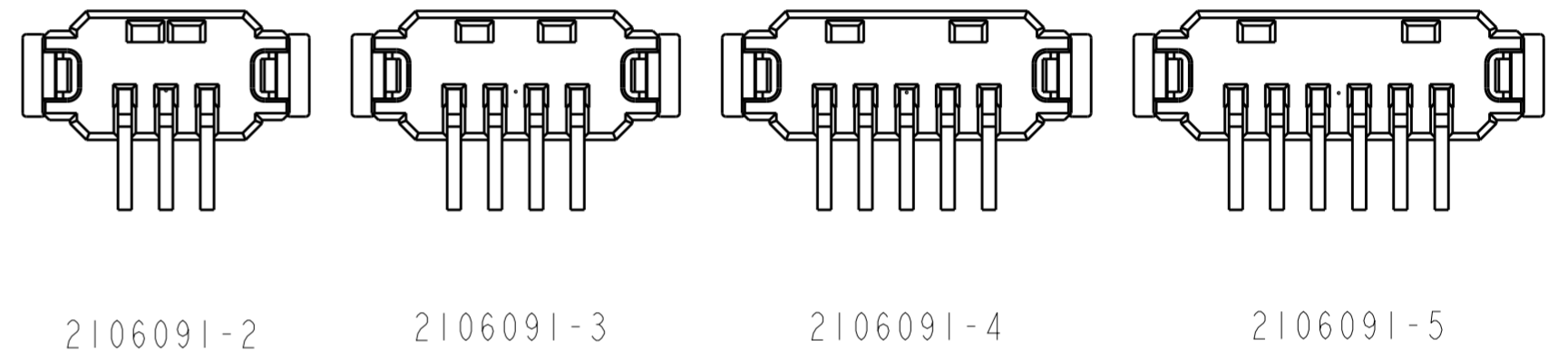


2106091-1  
SHOWN

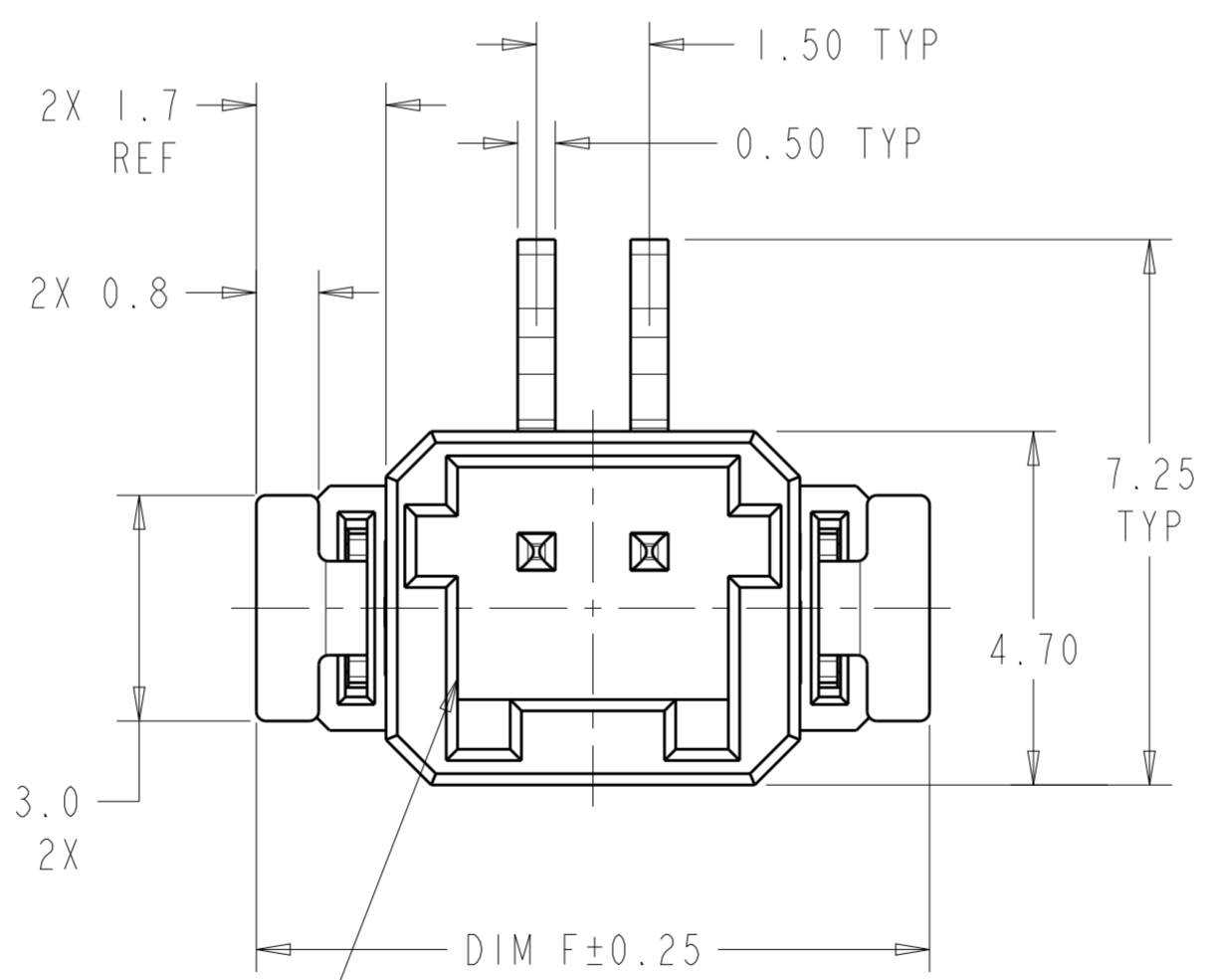
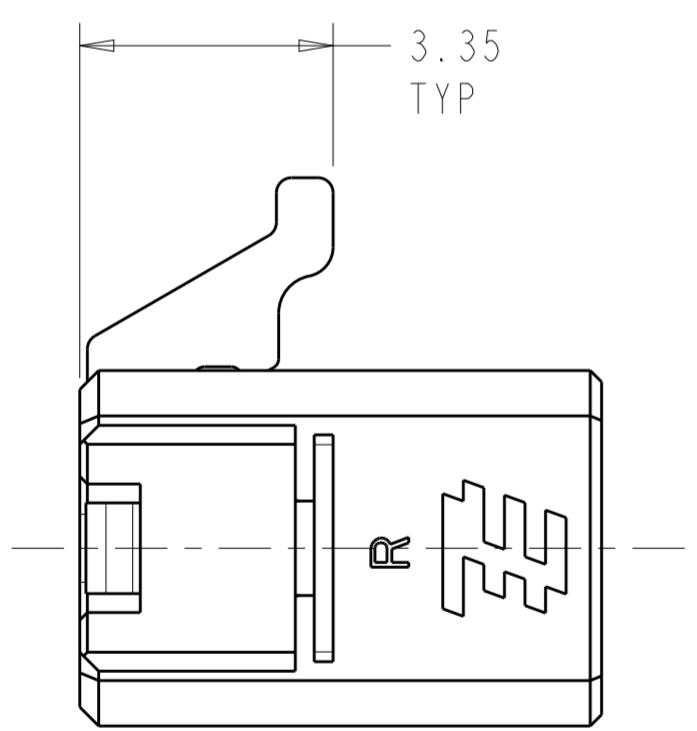


0.10  
TYP ALL SMT FEET

- △ MATERIALS AND FINISH:  
 -HOUSING: LCP, COLOR: NATURAL  
 -CONTACTS: COPPER ALLOY, FINISH: Sn OVER Ni  
 -HOLD DOWNS: BRASS, FINISH: Sn OVER Ni
- MUST COMPLY WITH DIRECTIVE 2002/95/EC (ROHS)
  - NOTE DELETED.
  - PACKAGED IN TAPE AND REEL PER EIA-481 SPECIFICATIONS. DIAMETER OF REEL TO BE 330.0mm



SCALE 4:1



MINI-CT INTERFACE

2.99	7.10	12.00	15.11	11.50	6	2106091-5
2.97	6.35	10.50	13.61	10.00	5	2106091-4
2.94	5.60	9.00	12.11	8.50	4	2106091-3
2.90	4.85	7.50	10.61	7.00	3	2106091-2
2.79	4.10	6.00	9.11	5.50	2	2106091-1
DIM P	DIM N	DIM M	DIM F	DIM E	POSN	PART NUMBER

THIS DRAWING IS A CONTROLLED DOCUMENT. DWN C. DAILY 14MAR2008  
 CHK M. MOSTOLLER 14MAR2008  
 APVD -

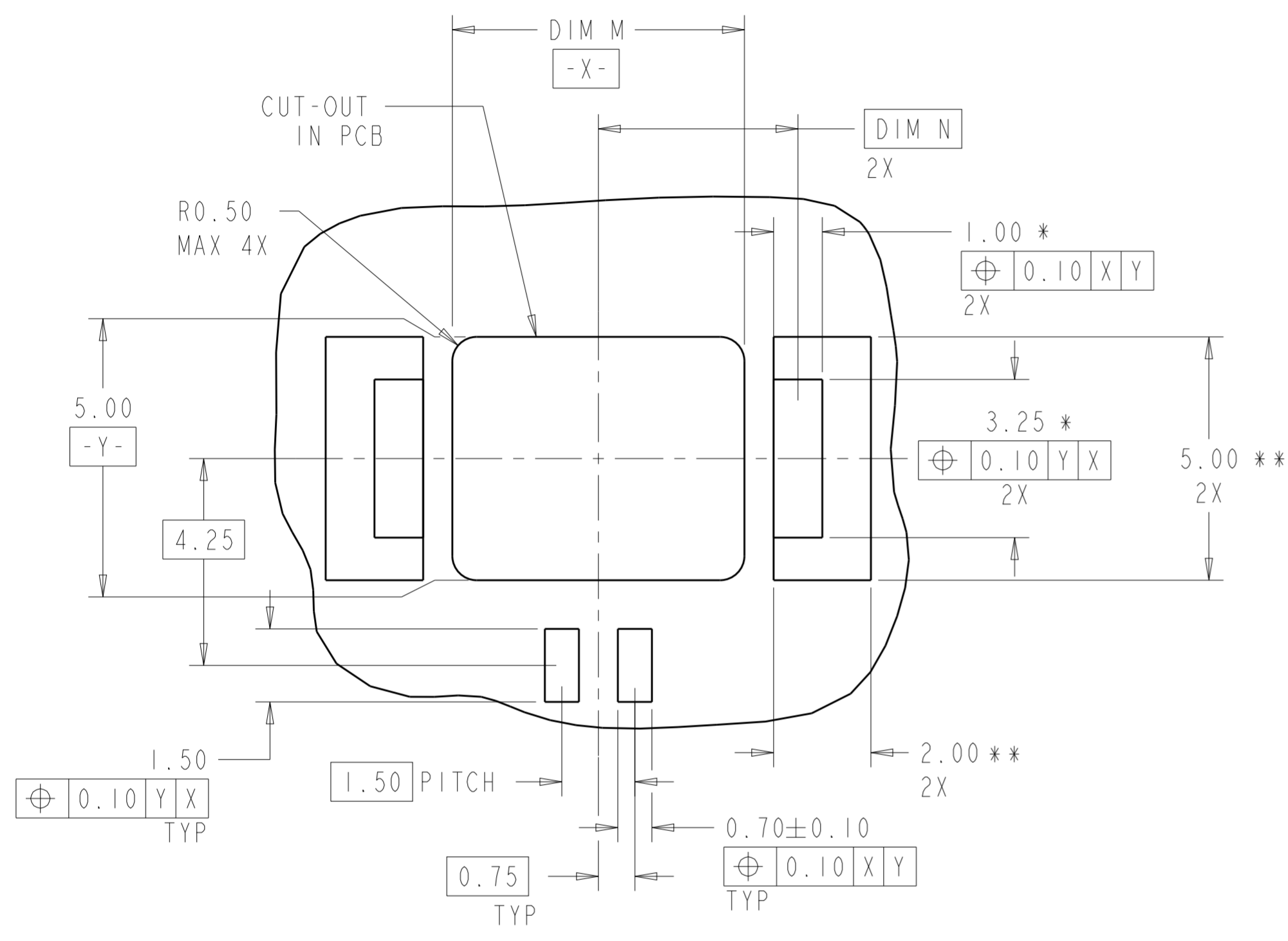
**STE** TE Connectivity

NAME ASSEMBLY, THRU BOARD INVERTED SMT CONNECTOR

PRODUCT SPEC 108-2376  
 APPLICATION SPEC 114-13245  
 WEIGHT -

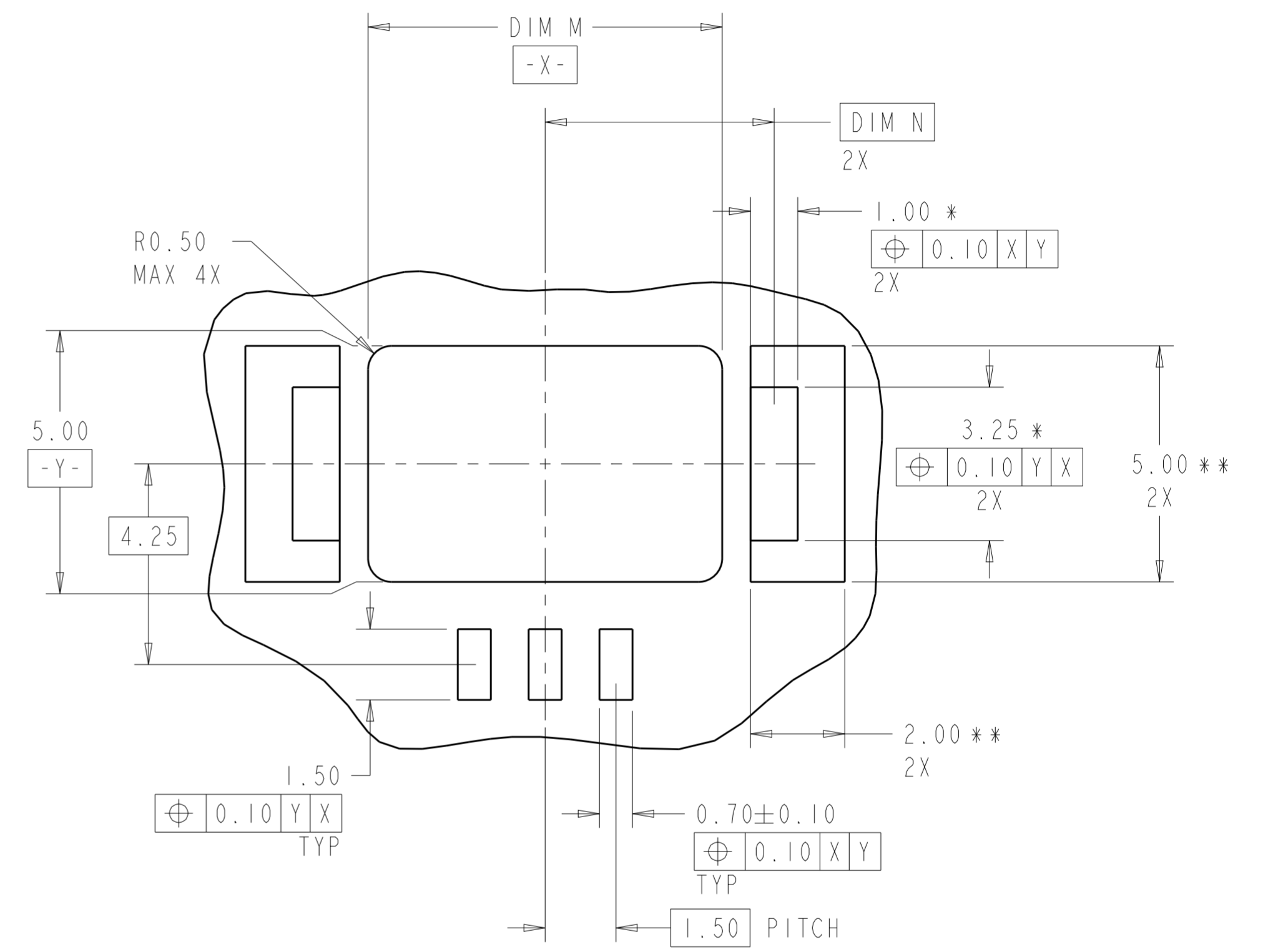
SIZE A2 CAGE CODE 00779 DRAWING NO. C-2106091 RESTRICTED TO -  
 CUSTOMER DRAWING SCALE 10:1 SHEET 1 OF 3 REV B

LOC		DIST		REVISIONS			
P	LTR	DESCRIPTION	DATE	DWN	APVD		
-	-	SEE SHEET 1	-	-	-		



RECOMMENDED PCB LAYOUT  
 EVEN NUMBER POSITIONS SHOWN  
 SCALE 10:1

\* DIMENSION SHOWN IS RECOMMENDED SOLDER MASK OPENING.  
 \*\* DIMENSION SHOWN IS RECOMMENDED COPPER PAD SIZE.



RECOMMENDED PCB LAYOUT  
 ODD NUMBER POSITIONS SHOWN  
 SCALE 10:1

\* DIMENSION SHOWN IS RECOMMENDED SOLDER MASK OPENING.  
 \*\* DIMENSION SHOWN IS RECOMMENDED COPPER PAD SIZE.

THIS DRAWING IS A CONTROLLED DOCUMENT.		DWN C. DAILY 14MAR2008	TE Connectivity	
		CHK M. MOSTOLLER 14MAR2008		
DIMENSIONS: mm		APVD -	NAME ASSEMBLY, THRU BOARD INVERTED SMT CONNECTOR	
TOLERANCES UNLESS OTHERWISE SPECIFIED: 0 PLC ± 1 PLC ±0.2 2 PLC ±0.13 3 PLC ± 4 PLC ± ANGLES ±3° FINISH		PRODUCT SPEC 108-2376	SIZE A2	
MATERIAL		APPLICATION SPEC 114-13245	CAGE CODE 00779	DRAWING NO. G-2106091
		WEIGHT -	RESTRICTED TO -	
		CUSTOMER DRAWING	SCALE 10:1	SHEET 2 OF 3 REV B