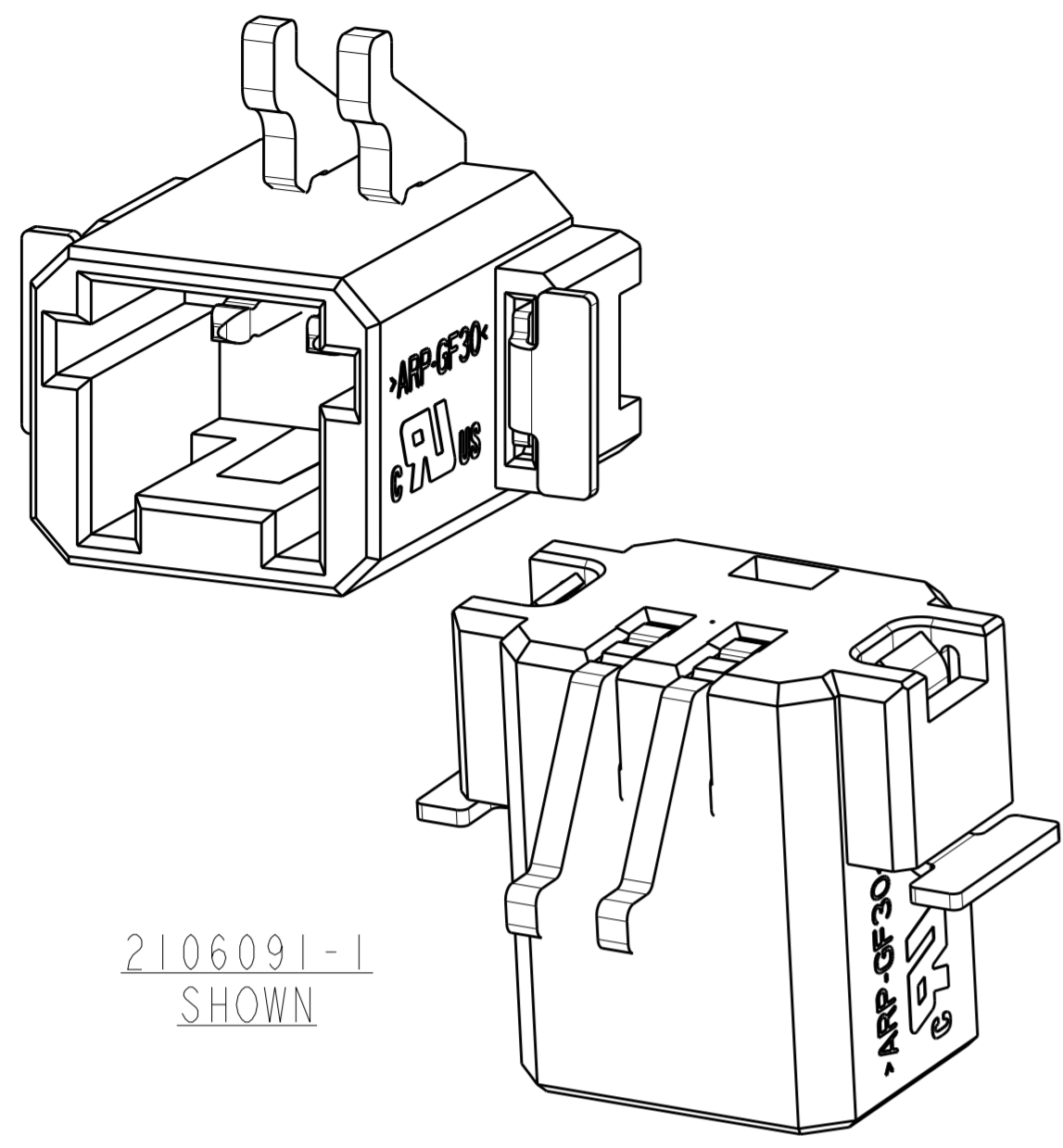
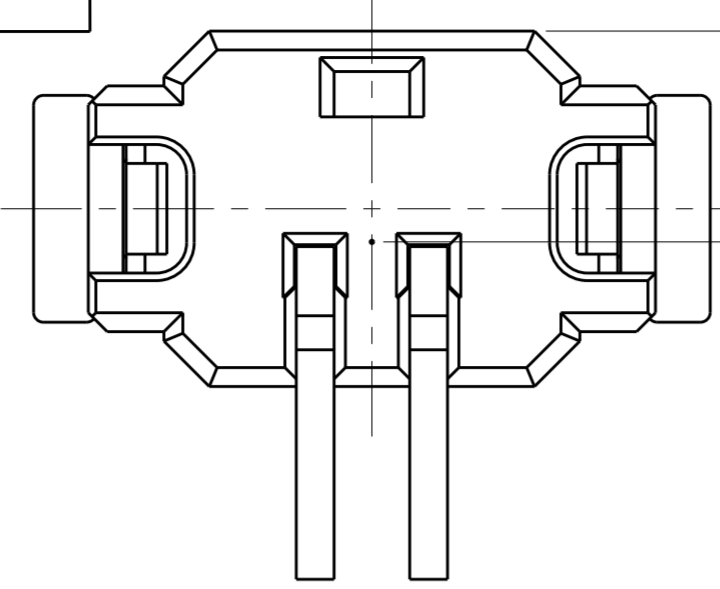


THIS DRAWING IS UNPUBLISHED. RELEASED FOR PUBLICATION 20
 © COPYRIGHT 20 BY - ALL RIGHTS RESERVED.

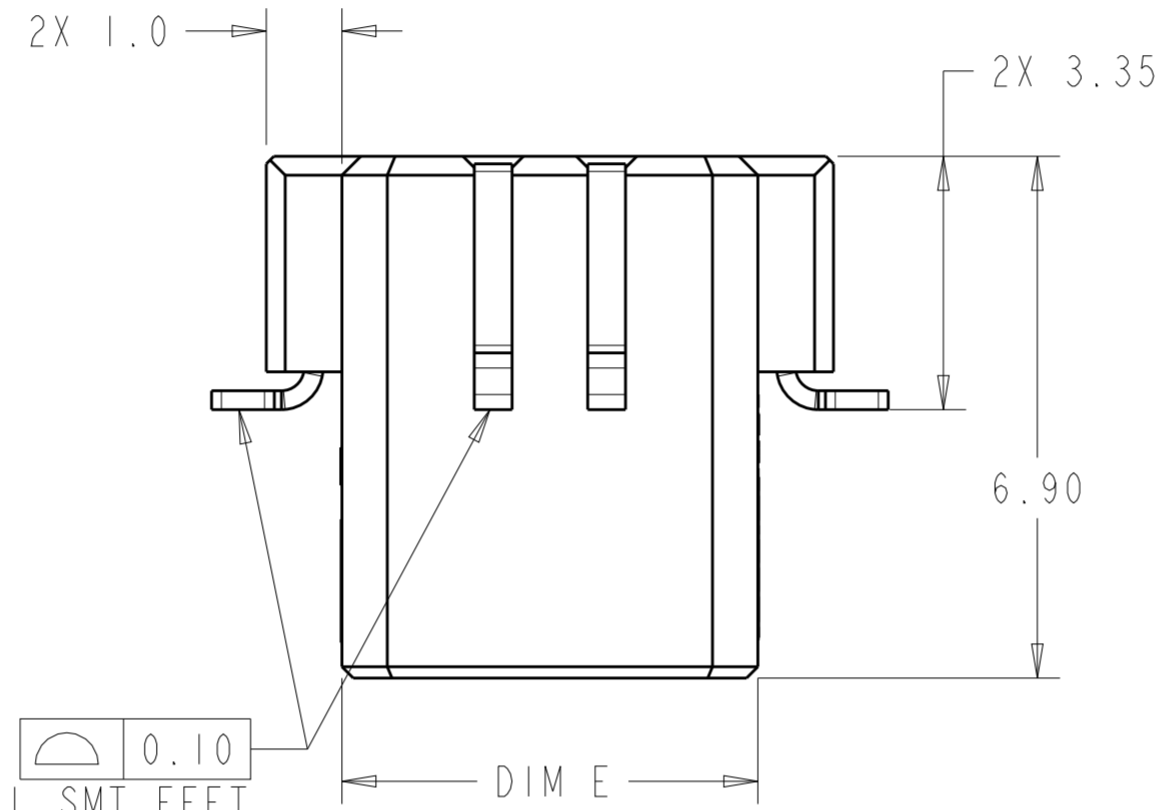
REVISIONS						
LOC	DIST	P	LTR	DESCRIPTION	DATE	APVD
-	-	A1		REVISED PER ECO-11-004587	11MAR2011	RK HMR
		A2		REVISED PER ECR-14-018652	19DEC2014	RS DD
		B		REVISED PER ECR-17-001614	06APR2017	SK DD



2106091-1
SHOWN

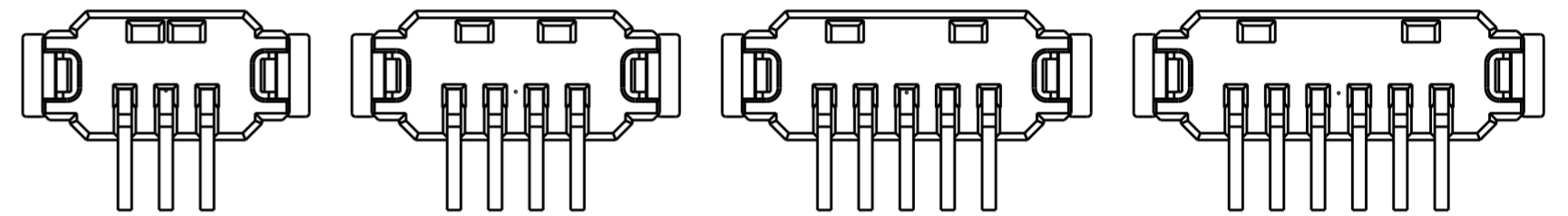


DIM P
CENTER OF
GRAVITY

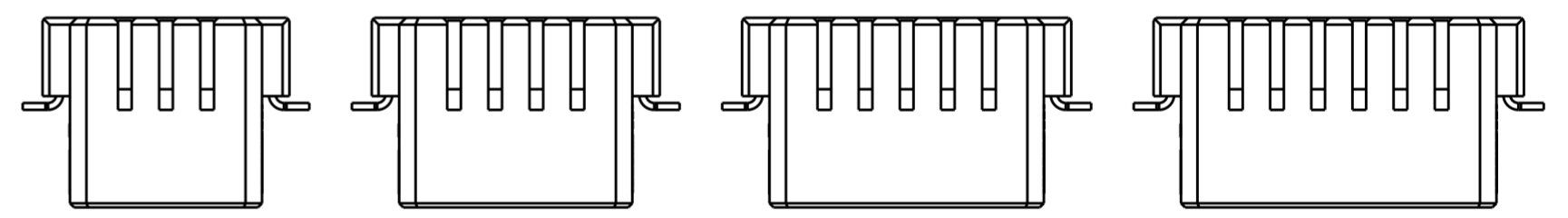


0.10
TYP ALL SMT FEET

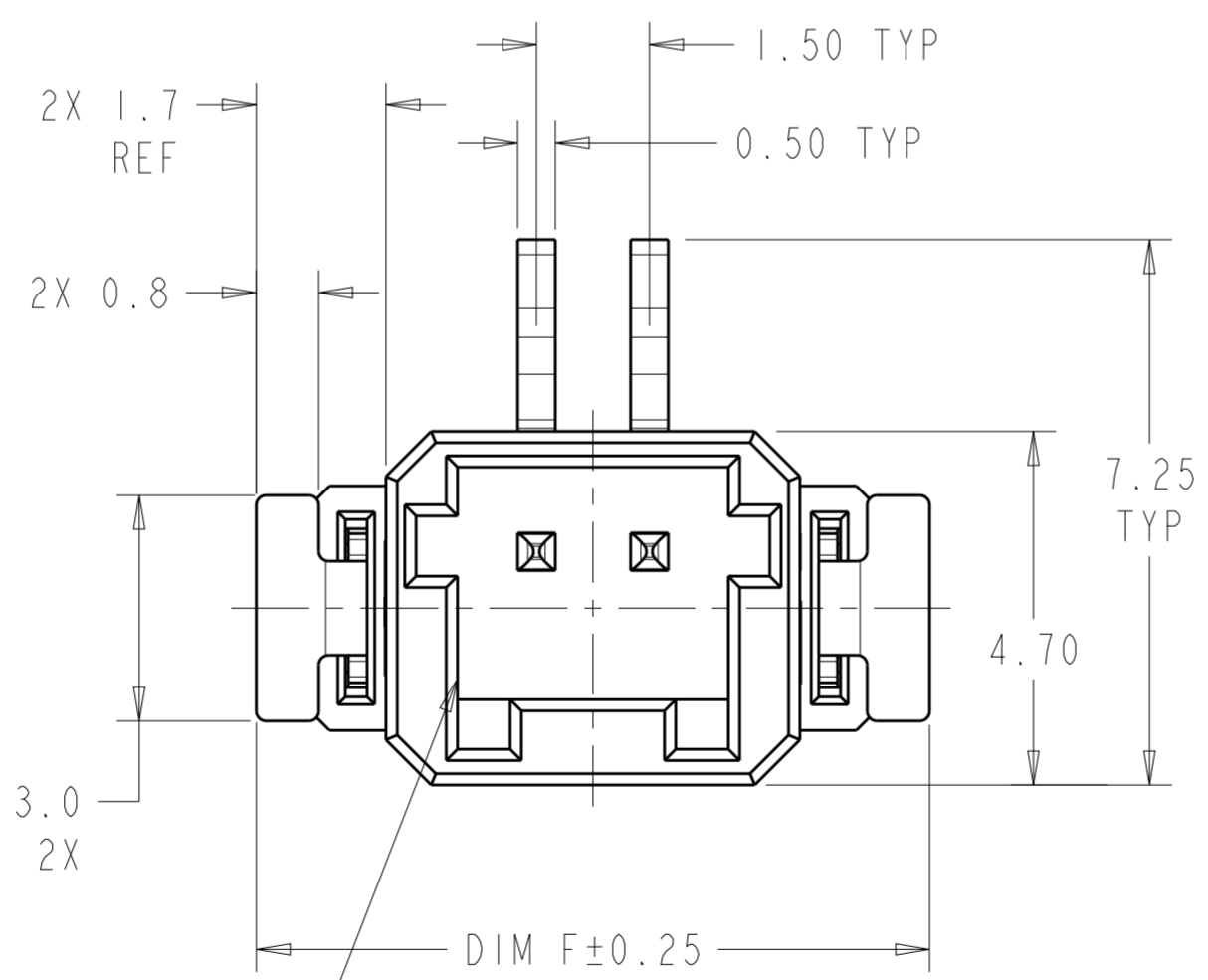
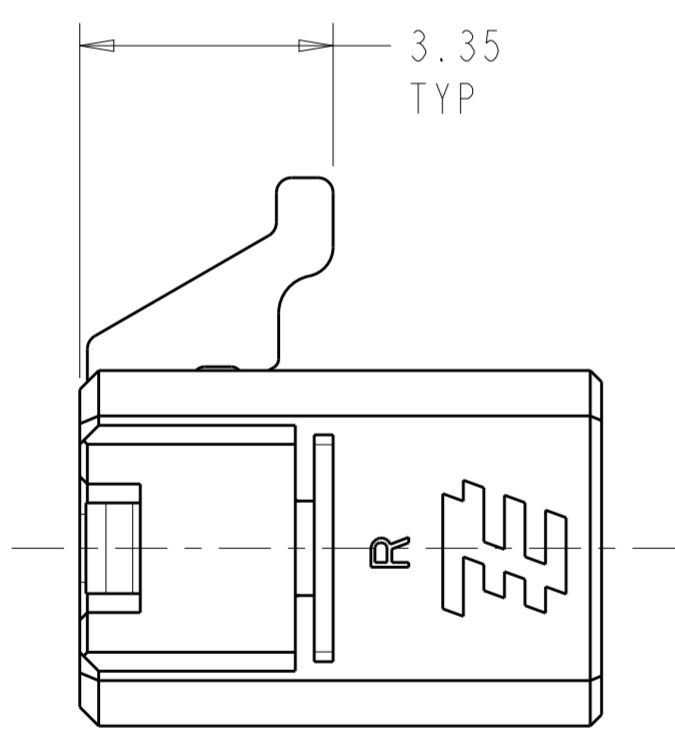
- ⚠ MATERIALS AND FINISH:
 -HOUSING: LCP, COLOR: NATURAL
 -CONTACTS: COPPER ALLOY, FINISH: Sn OVER Ni
 -HOLD DOWNS: BRASS, FINISH: Sn OVER Ni
- MUST COMPLY WITH DIRECTIVE 2002/95/EC (ROHS)
 - NOTE DELETED.
 - PACKAGED IN TAPE AND REEL PER EIA-481 SPECIFICATIONS. DIAMETER OF REEL TO BE 330.0mm



2106091-2 2106091-3 2106091-4 2106091-5



SCALE 4:1



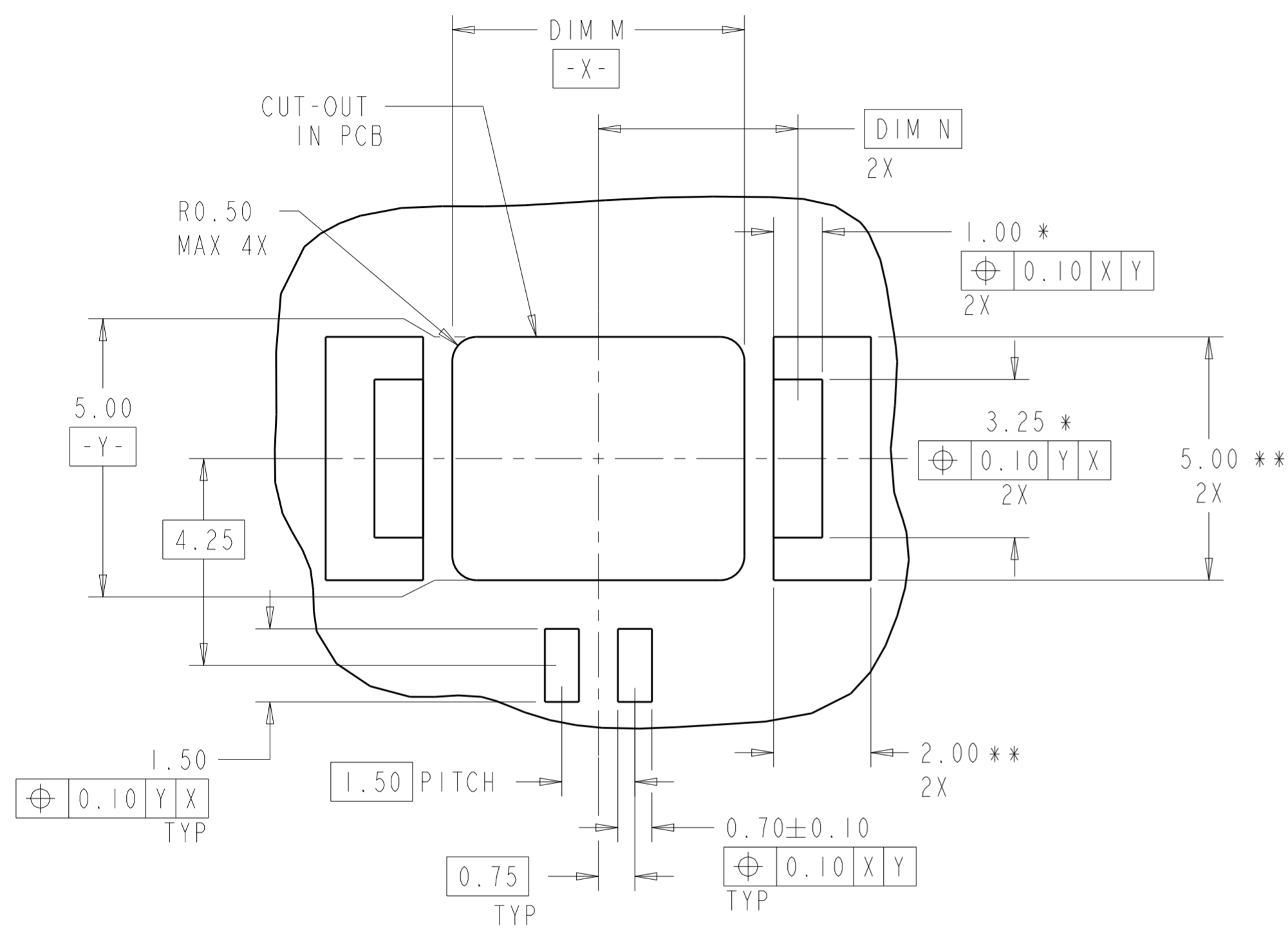
MINI-CT
INTERFACE

2.99	7.10	12.00	15.11	11.50	6	2106091-5
2.97	6.35	10.50	13.61	10.00	5	2106091-4
2.94	5.60	9.00	12.11	8.50	4	2106091-3
2.90	4.85	7.50	10.61	7.00	3	2106091-2
2.79	4.10	6.00	9.11	5.50	2	2106091-1
DIM P	DIM N	DIM M	DIM F	DIM E	POSN	PART NUMBER

THIS DRAWING IS A CONTROLLED DOCUMENT.

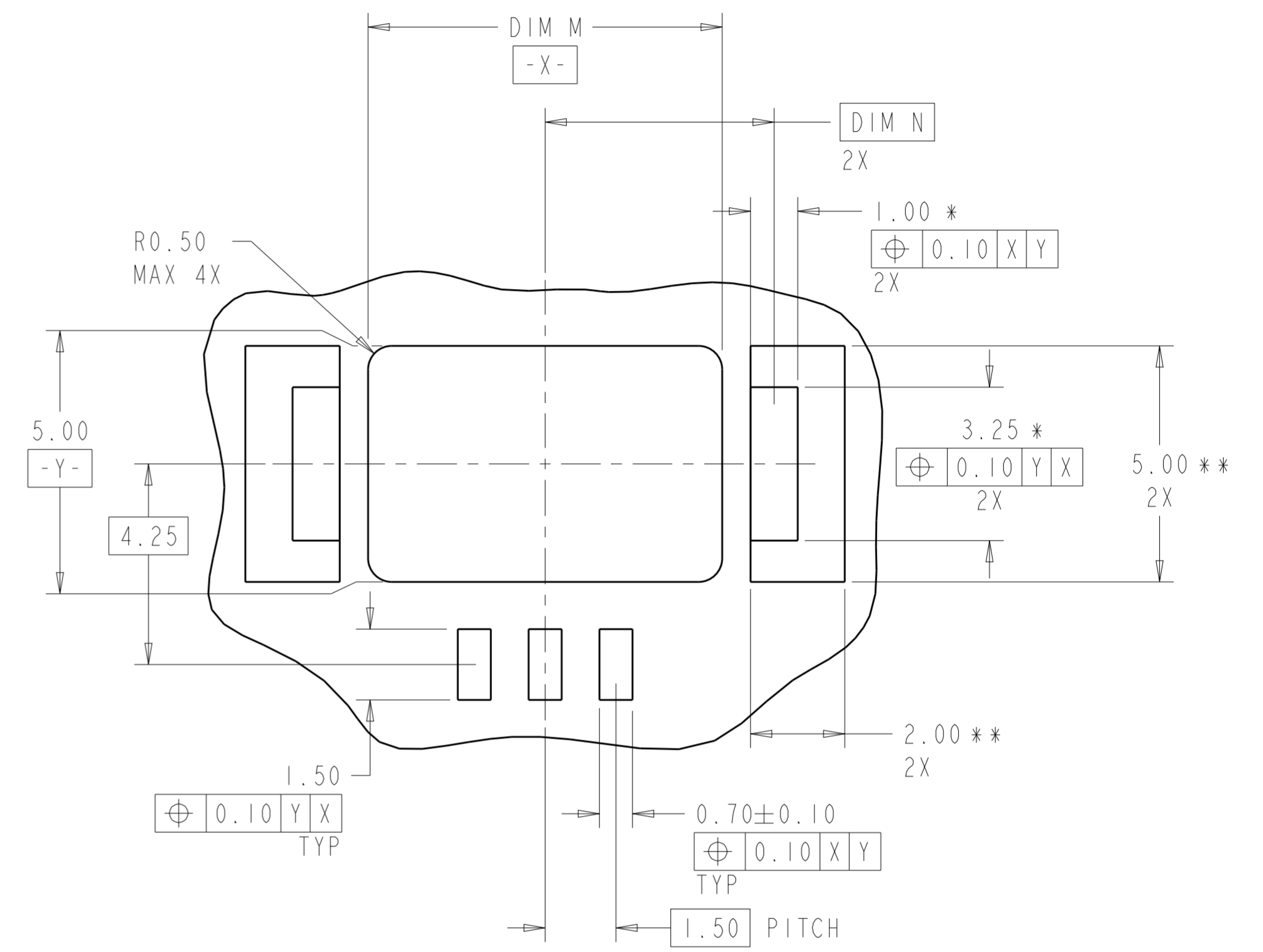
DWN C. DAILY 14MAR2008	TE Connectivity ASSEMBLY, THRU BOARD INVERTED SMT CONNECTOR
CHK M. MOSTOLLER 14MAR2008	
APVD -	NAME
PRODUCT SPEC 108-2376	SIZE
APPLICATION SPEC 114-13245	CAGE CODE
MATERIAL	DRAWING NO A2100779
WEIGHT	RESTRICTED TO
CUSTOMER DRAWING	SCALE 10:1
	SHEET 1 OF 3
	REV B

LOC	DIST	REVISIONS			
P	LTR	DESCRIPTION	DATE	DWN	APVD
-	-	SEE SHEET 1	-	-	-



RECOMMENDED PCB LAYOUT
 EVEN NUMBER POSITIONS SHOWN
 SCALE 10:1

* DIMENSION SHOWN IS RECOMMENDED SOLDER MASK OPENING.
 ** DIMENSION SHOWN IS RECOMMENDED COPPER PAD SIZE.



RECOMMENDED PCB LAYOUT
 ODD NUMBER POSITIONS SHOWN
 SCALE 10:1

* DIMENSION SHOWN IS RECOMMENDED SOLDER MASK OPENING.
 ** DIMENSION SHOWN IS RECOMMENDED COPPER PAD SIZE.

THIS DRAWING IS A CONTROLLED DOCUMENT.		DWN C. DAILY 14MAR2008	TE Connectivity	
DIMENSIONS: mm		CHK M. MOSTOLLER 14MAR2008		
TOLERANCES UNLESS OTHERWISE SPECIFIED:		APVD -	NAME ASSEMBLY, THRU BOARD INVERTED SMT CONNECTOR	
0 PLC ±		PRODUCT SPEC 108-2376	SIZE A2	
1 PLC ±0.2		APPLICATION SPEC 114-13245	CAGE CODE 00779	DRAWING NO. 2106091
2 PLC ±0.13		WEIGHT -	RESTRICTED TO -	
3 PLC ±		CUSTOMER DRAWING		
4 PLC ±		SCALE 10:1 SHEET 2 OF 3 REV B		
ANGLES FINISH ±3°				