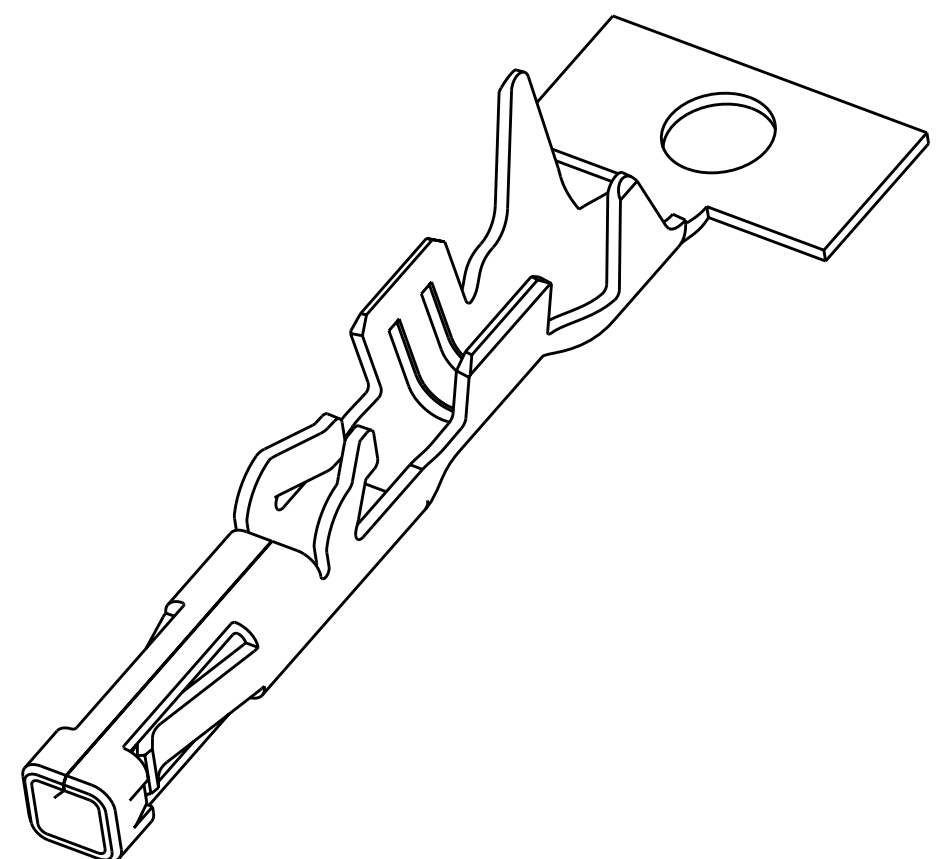
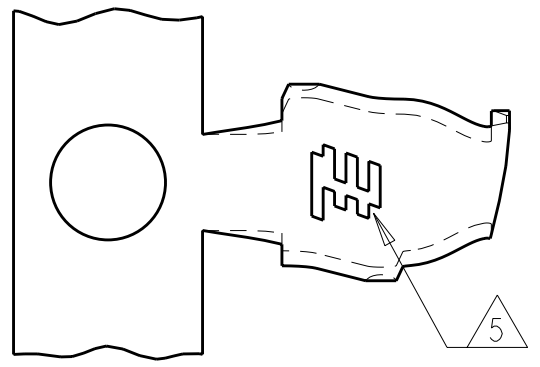
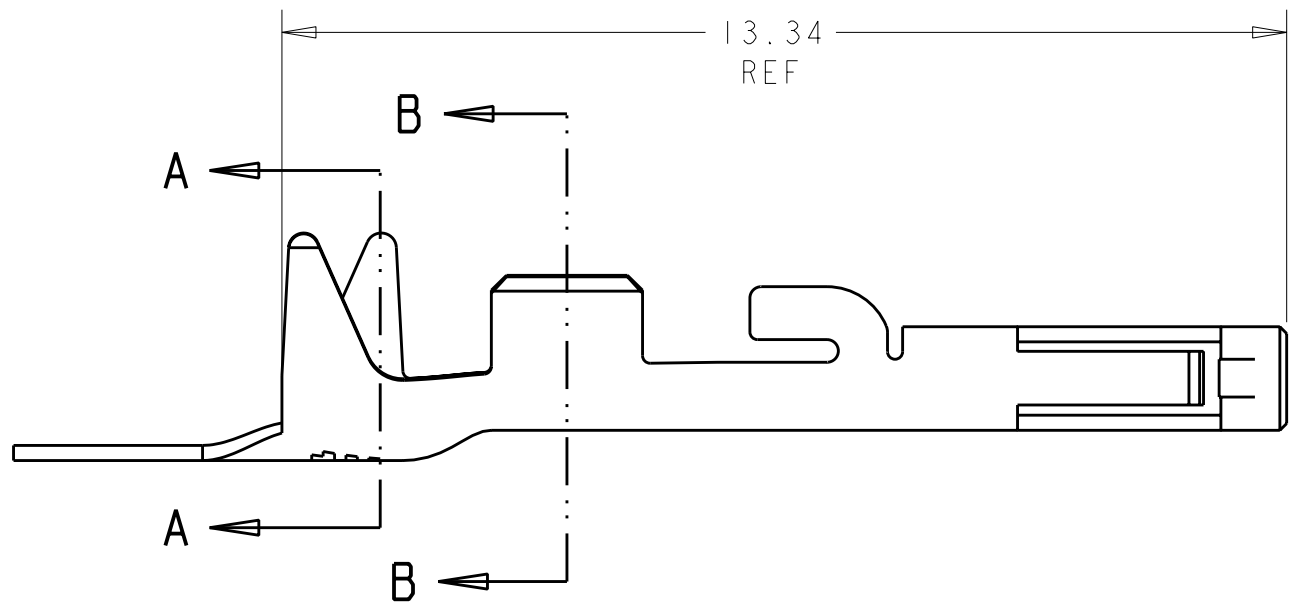
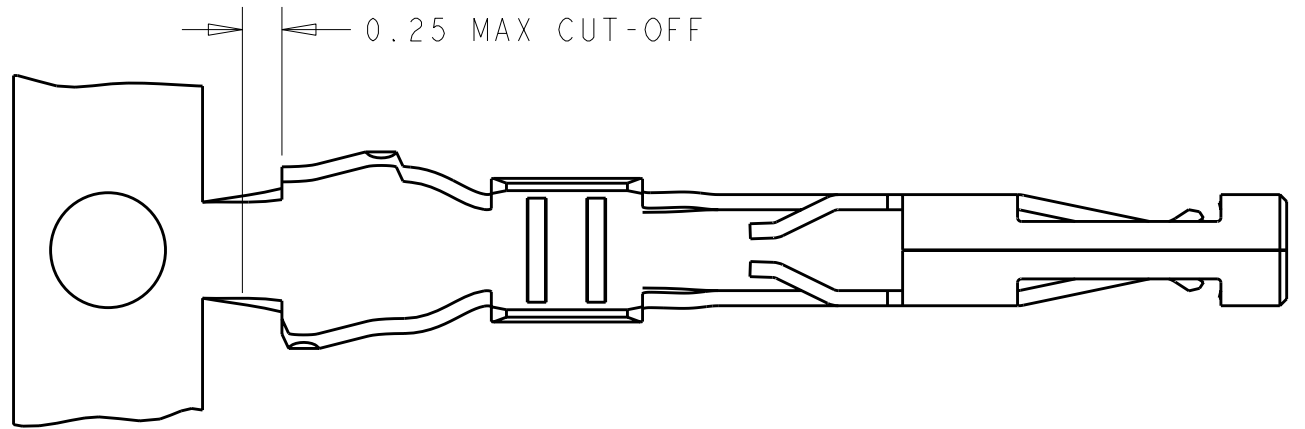
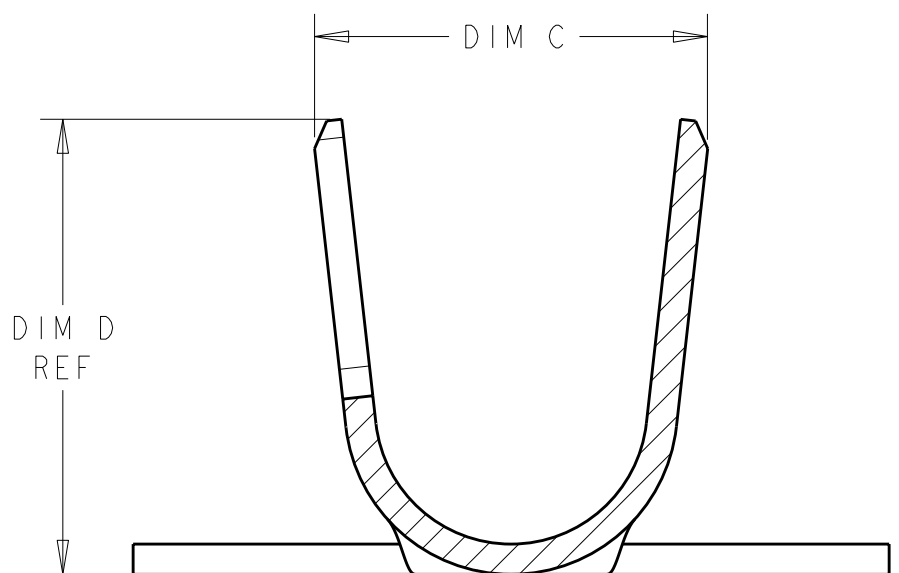


THIS DRAWING IS UNPUBLISHED. RELEASED FOR PUBLICATION 20
 © COPYRIGHT 20 ALL RIGHTS RESERVED.

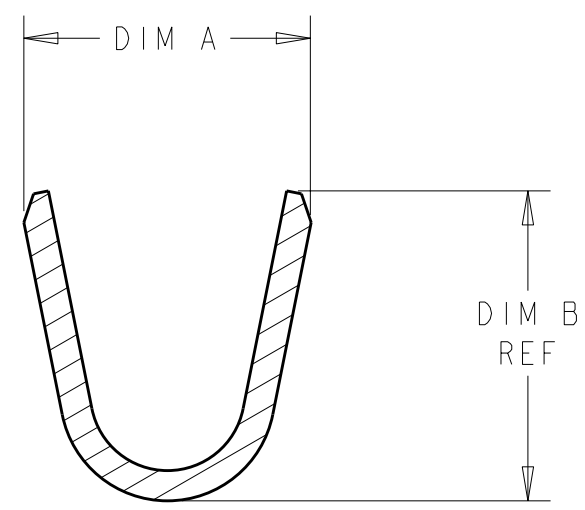
LOC		DIST		REVISIONS			
P	LTR	DESCRIPTION	DATE	DWN	APVD		
A2		REVISED PER ECR-11-014651	20JUL2011	RK	DD		
A3		REVISED PER ECR-11-016987	5SEP2011	RS	DD		



- 1 COPPER ALLOY, 0.20 THK. REF
- 2 NICKEL UNDERPLATE OVER ALL
- 3 0.00254 MIN THK BRIGHT TIN, LUBRICATED, OVER NICKEL UNDERPLATE
- 4 0.000381 THK GOLD STRIPE
- 5 TE CONNECTIVITY LOGO LOCATED APPROXIMATELY AS SHOWN
- 6 0.000762 THK GOLD STRIPE



SECTION A-A
SCALE 20:1



SECTION B-B
SCALE 20:1

DIM D	DIM C	DIM B	DIM A	INSULATION DIA	WIRE RANGE	REMARKS	FINISH	PART NO
2.40	2.60 2.20	1.55	1.96 1.57	1.30 - 1.60	22-24 AWG	ON REEL	6	1-2106123-6
2.40	2.60 2.20	1.55	1.96 1.57	1.30 - 1.60	22-24 AWG	ON REEL	4	1-2106123-3
2.40	2.60 2.20	1.55	1.96 1.57	1.30 - 1.60	22-24 AWG	LOOSE PIECE	2 3	1-2106123-2
2.40	2.60 2.20	1.55	1.96 1.57	1.30 - 1.60	22-24 AWG	ON REEL	2 3	1-2106123-1
3.01	2.80 2.40	2.05	2.32 1.92	1.70 - 2.10	18-20 AWG	ON REEL	4	2106123-3
3.01	2.80 2.40	2.05	2.32 1.92	1.70 - 2.10	18-20 AWG	LOOSE PIECE	2 3	2106123-2
3.01	2.80 2.40	2.05	2.32 1.92	1.70 - 2.10	18-20 AWG	ON REEL	2 3	2106123-1

THIS DRAWING IS A CONTROLLED DOCUMENT.

DWN R BROWN 04MAR2009
 CHK A BUCHER 04MAR2009
 APVD -

PRODUCT SPEC 108-2391
 APPLICATION SPEC 114-13261
 WEIGHT -

STE TE Connectivity
 NAME CONTACT, RECEPTACLE, CRIMP SNAP-IN SLIM SEAL SSL

SIZE A2 CAGE CODE 00779 DRAWING NO C-2106123 RESTRICTED TO -
 SCALE 10:1 SHEET 1 OF 1 REV A3

MATERIAL SEE TABLE CUSTOMER DRAWING