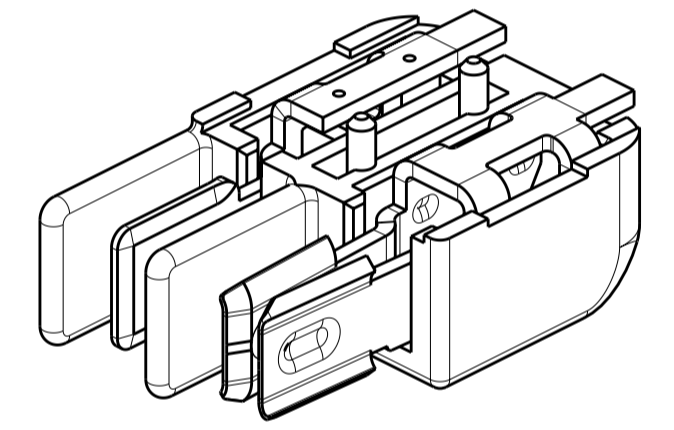
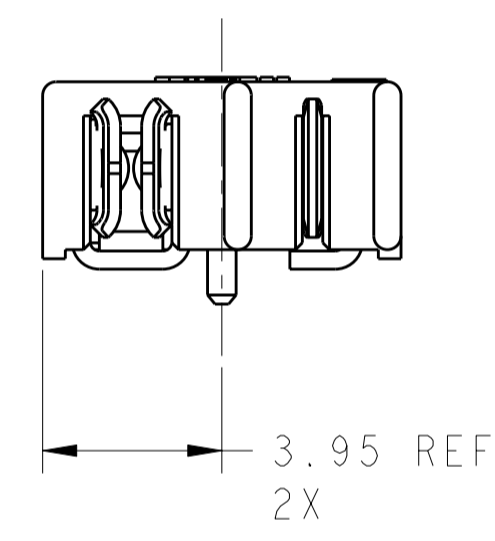
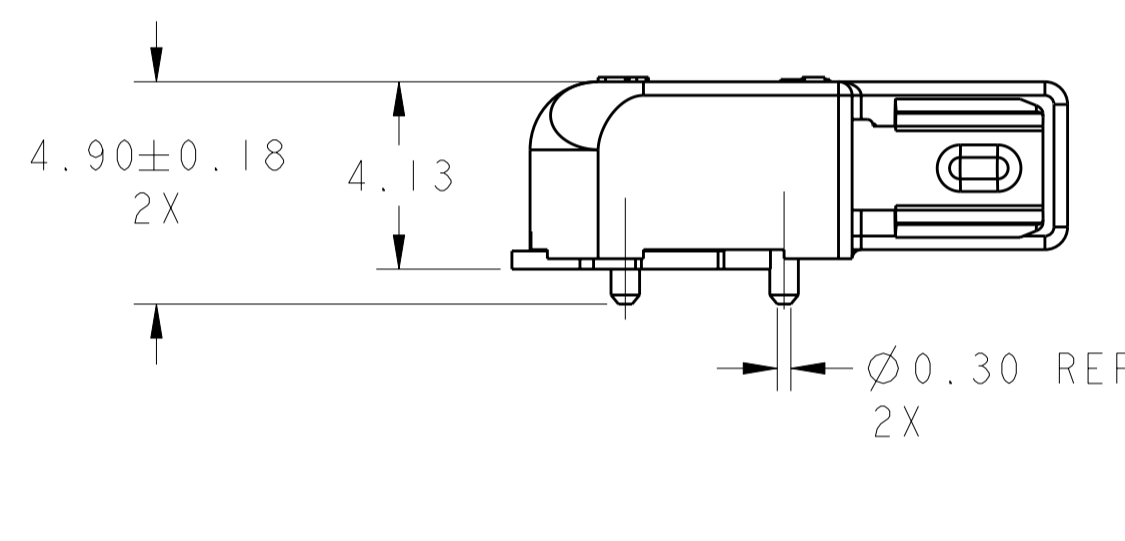
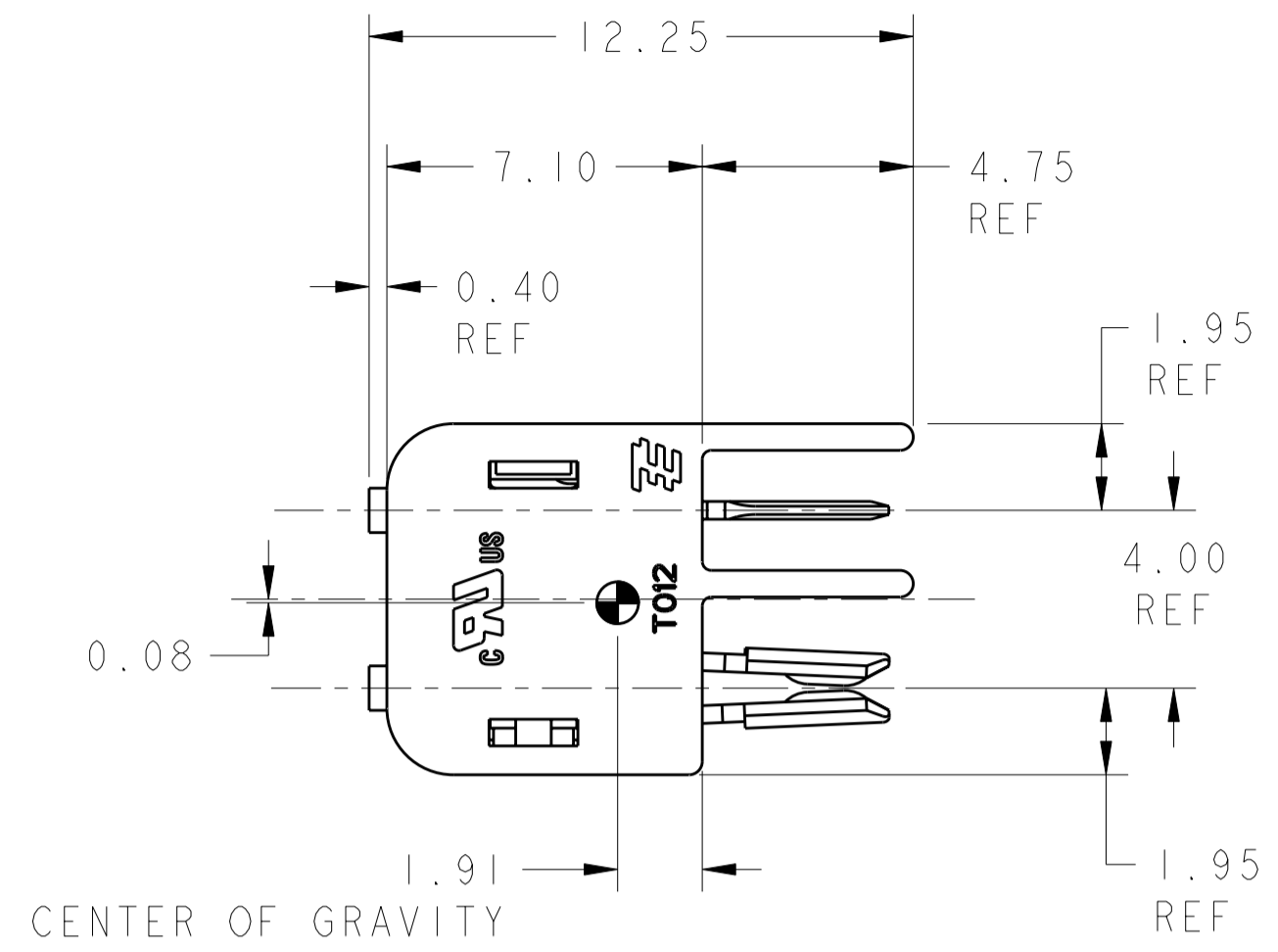


THIS DRAWING IS UNPUBLISHED. RELEASED FOR PUBLICATION 20  
 © COPYRIGHT 20 ALL RIGHTS RESERVED.

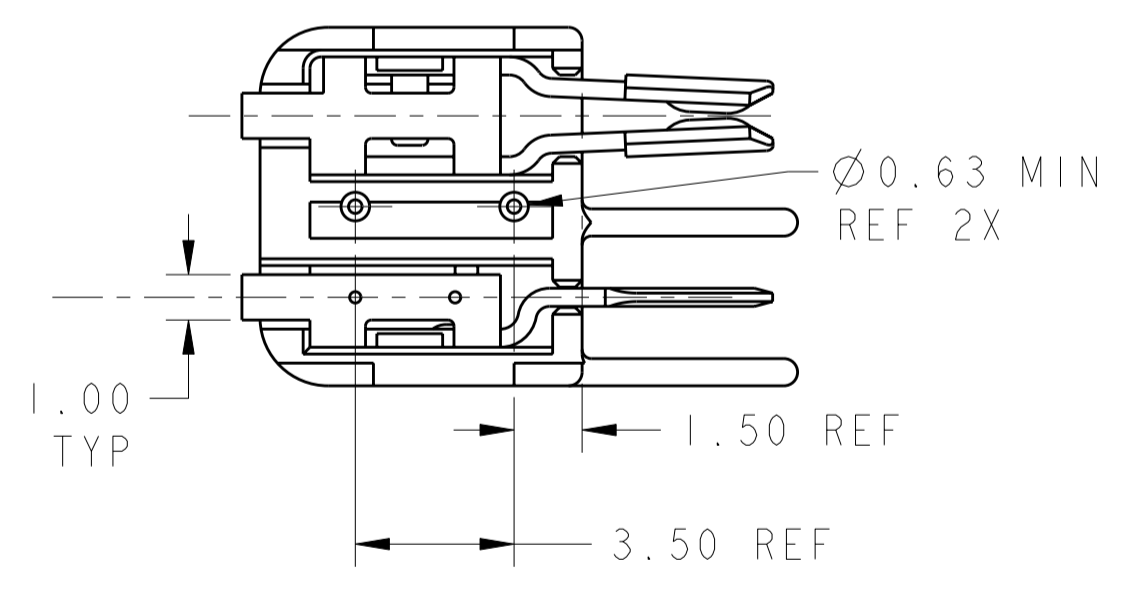
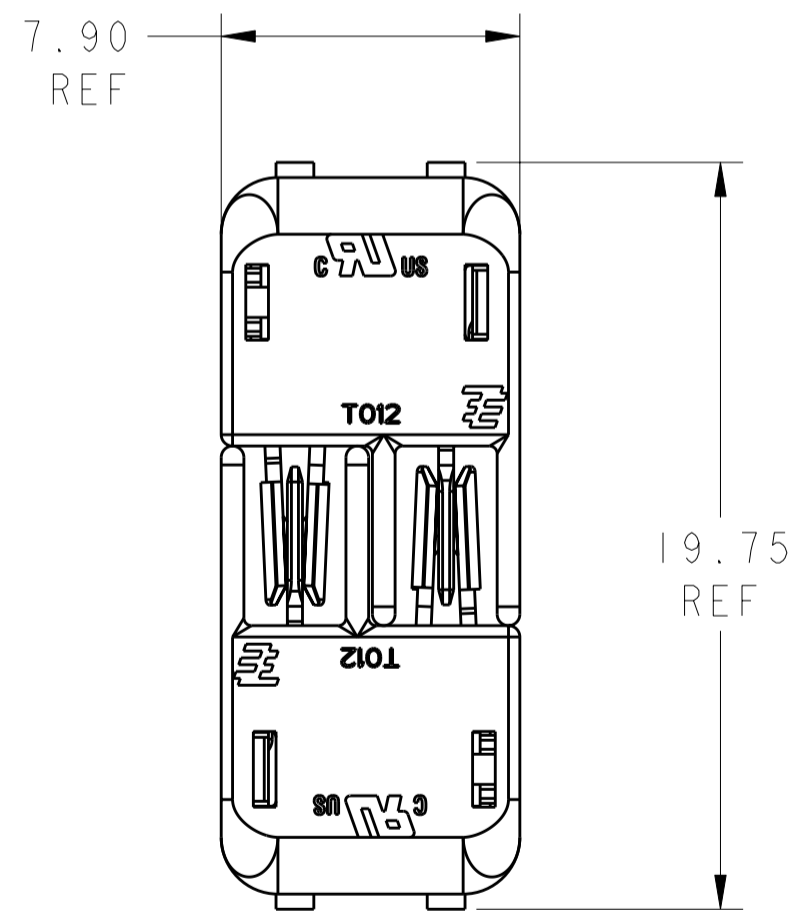
LOC		DIST		REVISIONS			
P	LTR	DESCRIPTION	DATE	DWN	APVD		
A1		REVISED PER ECR-10-015938	04AUG2010	HMR	DD		
A2		REVISED PER ECR-11-005777	23MAR2011	SK	DD		

NOTES:

- 1 MATERIALS AND FINISH
  - HOUSING: LCP
  - CONTACTS: COPPER ALLOY, FINISH: TIN
- 2 PRODUCT TO COMPLY WITH DIRECTIVE 2002/95/EC (ROHS)
- 3 PACKAGED IN TAPE AND REEL PER EIA-481 SPECIFICATION



2106212-1 SHOWN



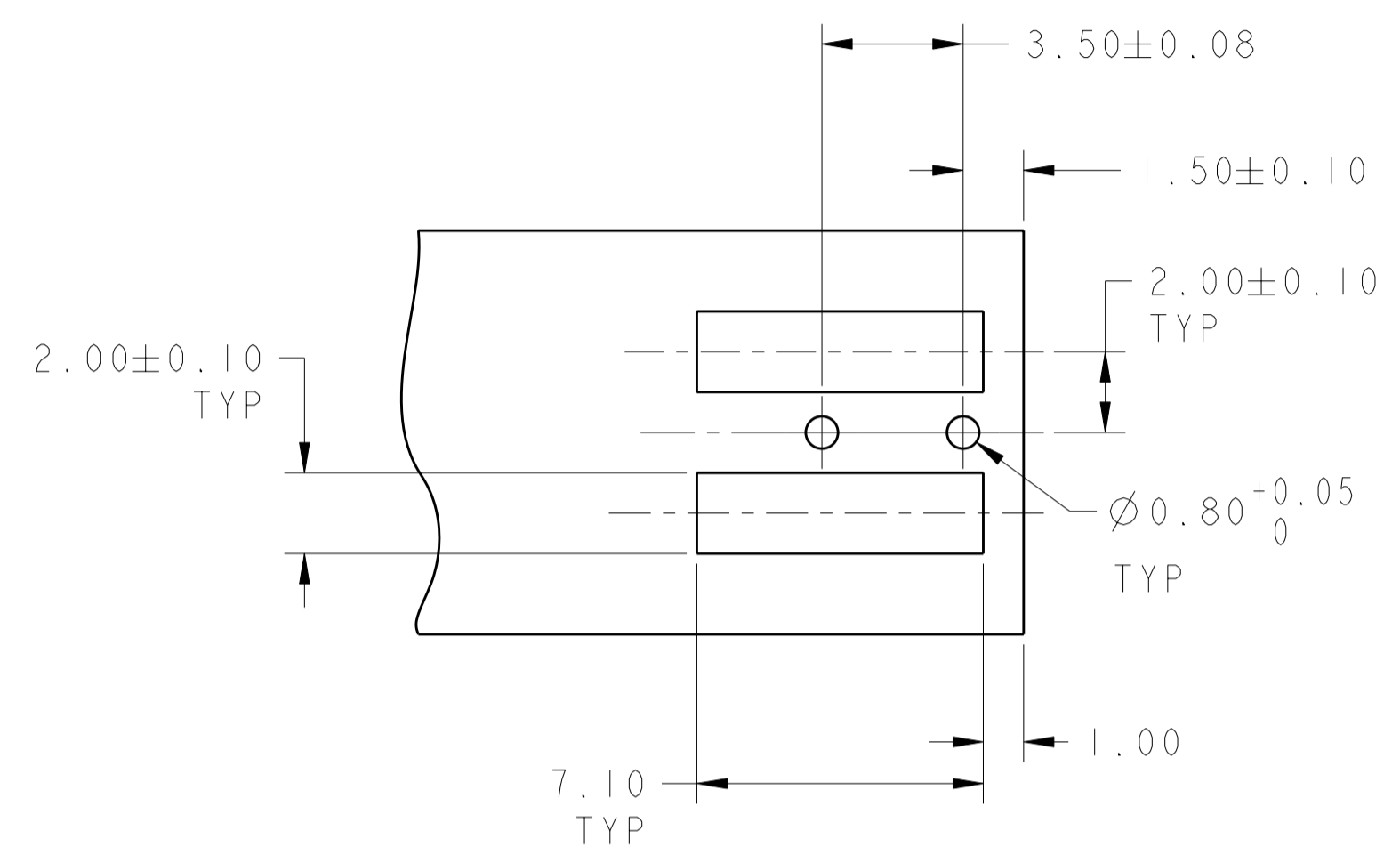
MATED PAIR SHOWN FOR REFERENCE

BLACK	2106212-2
NATURAL	2106212-1
COLOR	PART NO.

THIS DRAWING IS A CONTROLLED DOCUMENT.		DWN R. NARANG 12FEB2009	<b>STE</b> TE Connectivity	
		CHK R. NARANG 12FEB2009		
DIMENSIONS: mm		APVD -	NAME HERMAPHRODITIC BLADE AND RECEPTACLE CONNECTOR ASSEMBLY, WITH BOSS	
TOLERANCES UNLESS OTHERWISE SPECIFIED: 0 PLC ± 1 PLC ± 2 PLC ±0.13 3 PLC ±0.013 4 PLC ± ANGLES ±° FINISH		PRODUCT SPEC 108-2342	RESTRICTED TO	
MATERIAL		APPLICATION SPEC 114-13225	SIZE A2	CAGE CODE 00779
CUSTOMER DRAWING		WEIGHT -	DRAWING NO. 2106212	REV A2
		SCALE 2:1	SHEET 1	OF 2

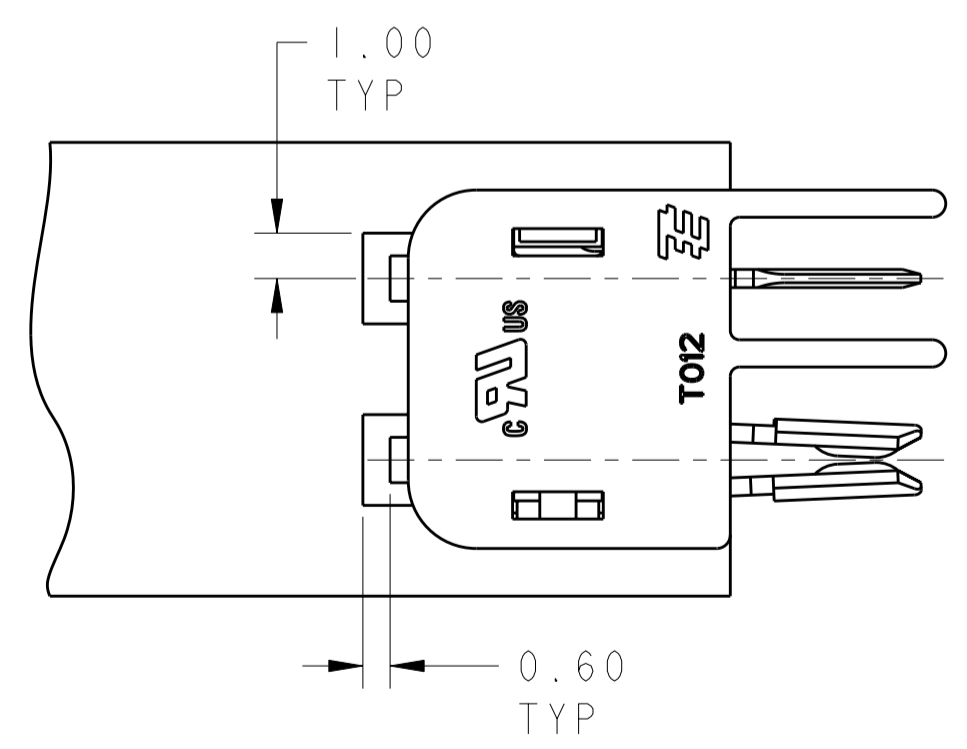
THIS DRAWING IS UNPUBLISHED. RELEASED FOR PUBLICATION 20  
 © COPYRIGHT 20 ALL RIGHTS RESERVED.

LOC		DIST		REVISIONS			
P	LTR	DESCRIPTION	DATE	DWN	APVD		
-	-	SEE SHEET 1	-	-	-		

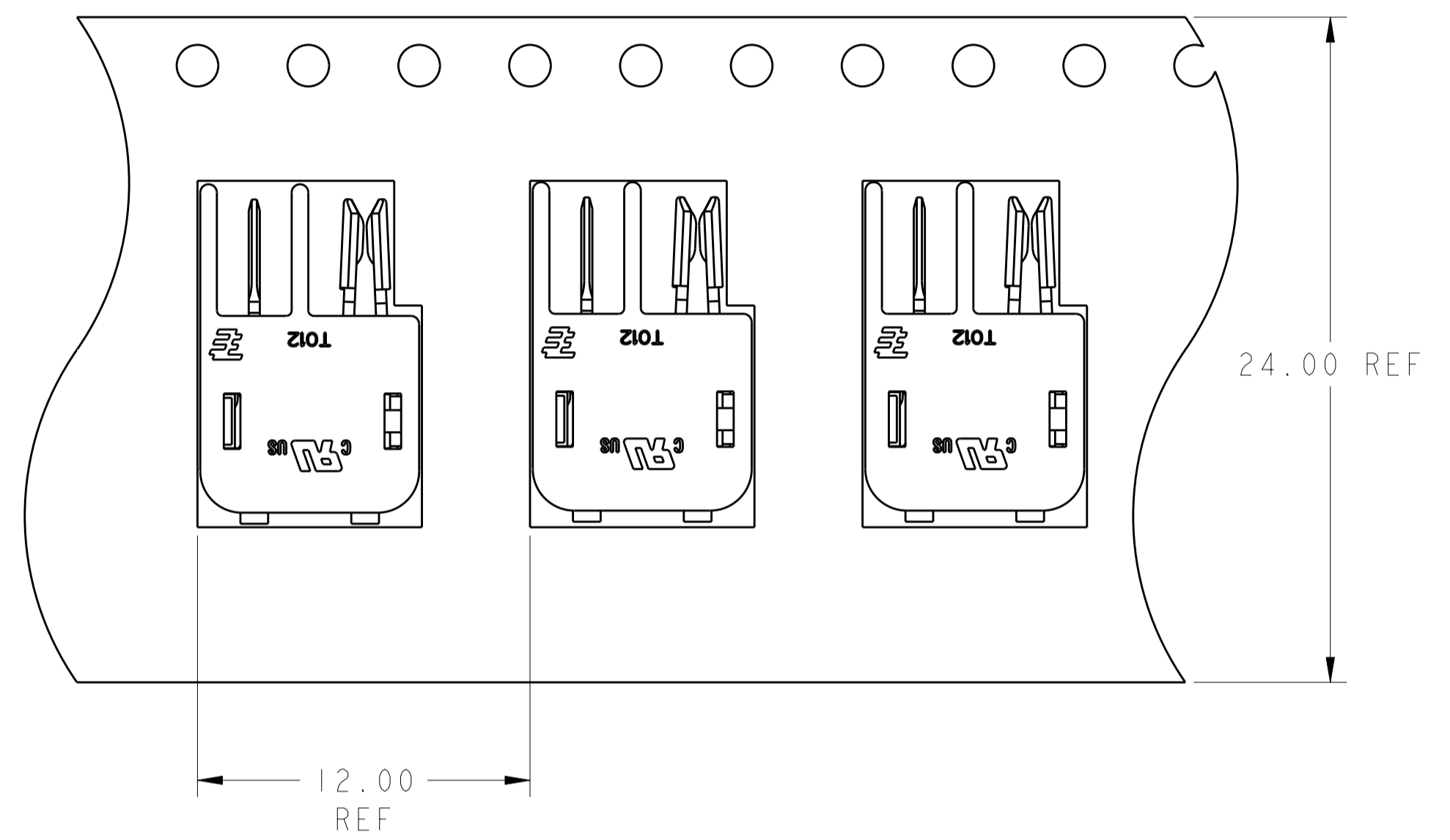


SCALE 6:1

RECOMMENDED PCB LAYOUT



SCALE 6:1



SCALE 5:1

PACKAGING OF 2106212-1

THIS DRAWING IS A CONTROLLED DOCUMENT.		DWN R. NARANG 12FEB2009	TE Connectivity	
		CHK R. NARANG 12FEB2009		
DIMENSIONS: mm		TOLERANCES UNLESS OTHERWISE SPECIFIED:		NAME HERMAPHRODITIC BLADE AND RECEPTACLE CONNECTOR ASSEMBLY, WITH BOSS
		0 PLC ±-	PRODUCT SPEC	SIZE
		1 PLC ±-	108-2342	CAGE CODE
		2 PLC ±0.13	APPLICATION SPEC	DRAWING NO
		3 PLC ±0.013	114-13225	RESTRICTED TO
		4 PLC ±-	WEIGHT	A200779
MATERIAL		FINISH	CUSTOMER DRAWING	SCALE 2:1
				SHEET 2 OF 2
				REV A2