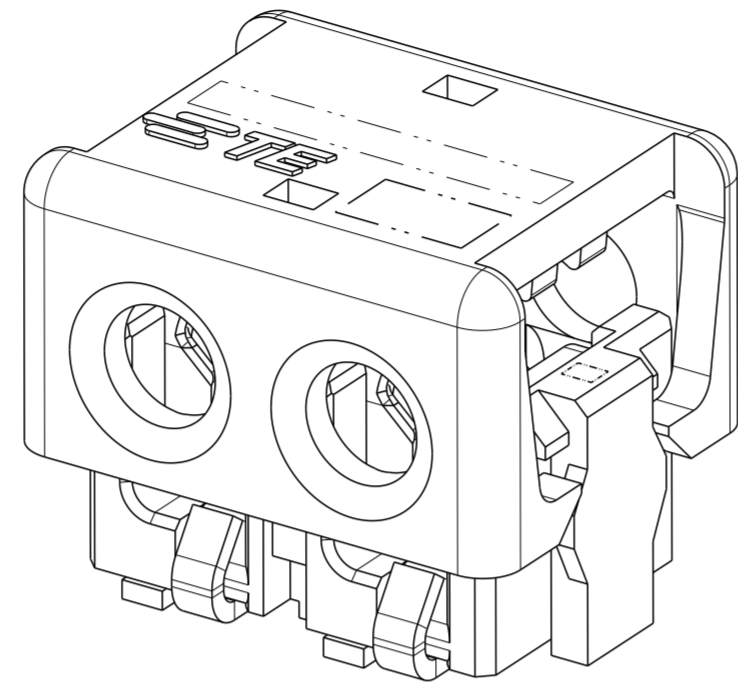
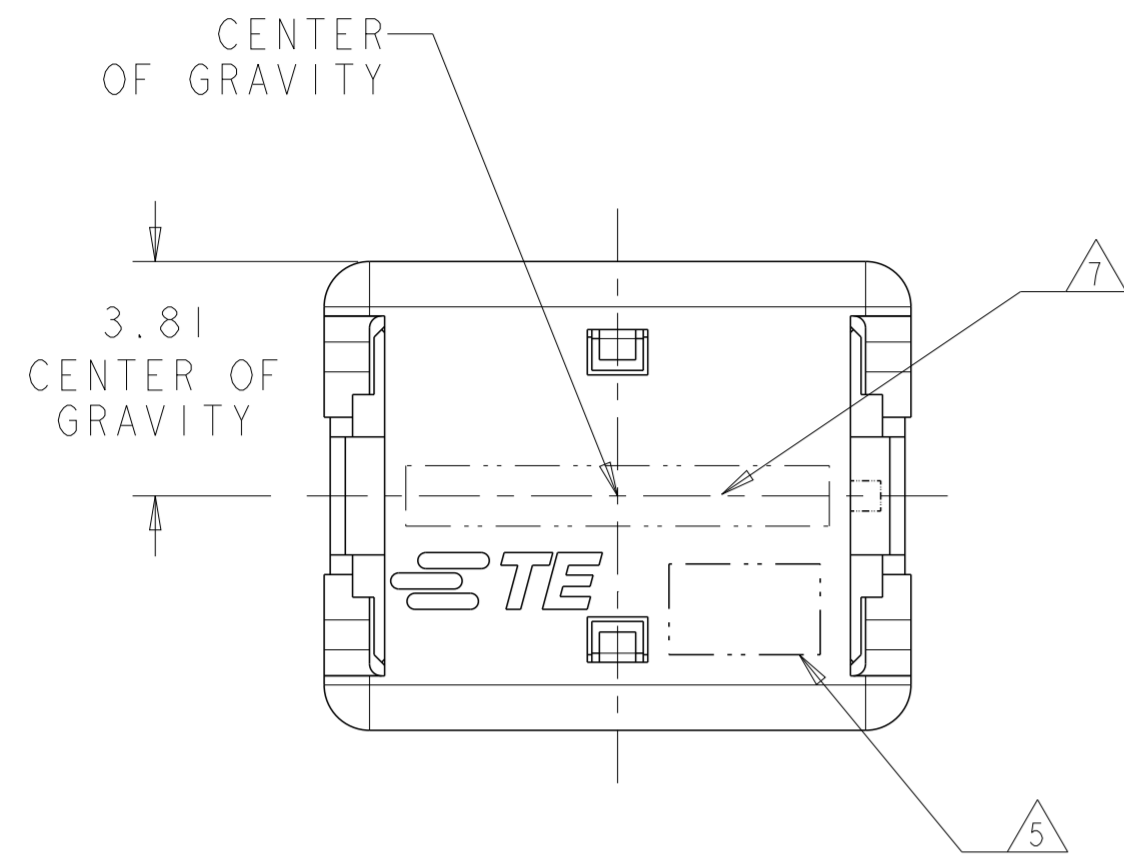


THIS DRAWING IS UNPUBLISHED. RELEASED FOR PUBLICATION 20  
 © COPYRIGHT 20 BY - ALL RIGHTS RESERVED.

LOC	DIST	REVISIONS					
CM	00	P	LTR	DESCRIPTION	DATE	DWN	APVD
		A1		REVISED PER ECR-12-003555	19APR2012	RS	DD
		A2		REVISED PER ECR-12-016877	20OCT2012	RS	DD
		B		REVISED PER ECR-15-004054	28JUL2015	RS	DD
		C		REVISED PER ECR-15-017995	18DEC2015	RS	DD



- 1. MATERIALS AND FINISH:
  - HOUSING: LCP, COLOR: NATURAL
  - CONTACTS: COPPER ALLOY, FINISH: Sn OVER Ni

2. COMPLY WITH DIRECTIVE 2002/95/EC (ROHS).

- 3. 18-24AWG SOLID OR STRANDED WIRE. PLEASE REFER TO APPLICATION SPEC 114-13266 FOR RECOMMENDED STRAND COUNT.
  - 18AWG MAX INSULATION OD: 2.20
  - 20AWG MAX INSULATION OD: 1.90
  - 22AWG MAX INSULATION OD: 1.70
  - 24AWG MAX INSULATION OD: 1.45

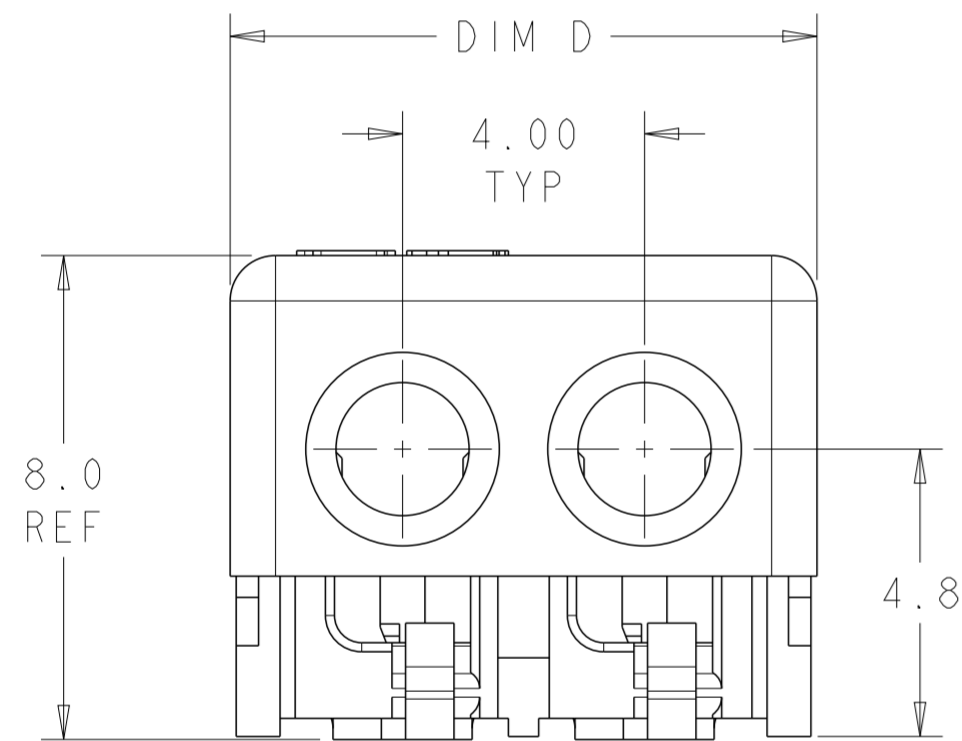
4. PACKAGE IN TAPE AND REEL PER EIA-481 SPECIFICATION, EXCEPT 1 POSITION CONNECTOR.

5. WIRE SIZE MARKING IN APPROXIMATE LOCATION SHOWN.

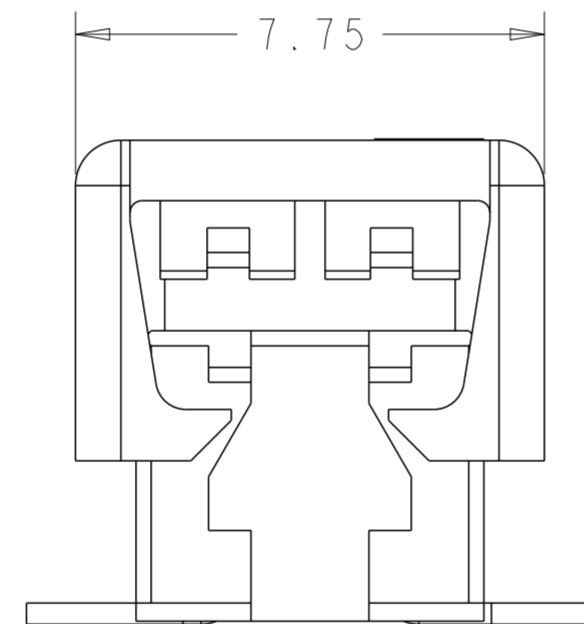
6. DATUMS AND BASIC DIMENSIONS ESTABLISHED BY CUSTOMER.

7. COLOR CODE MARKING, STRAIGHT LINE.

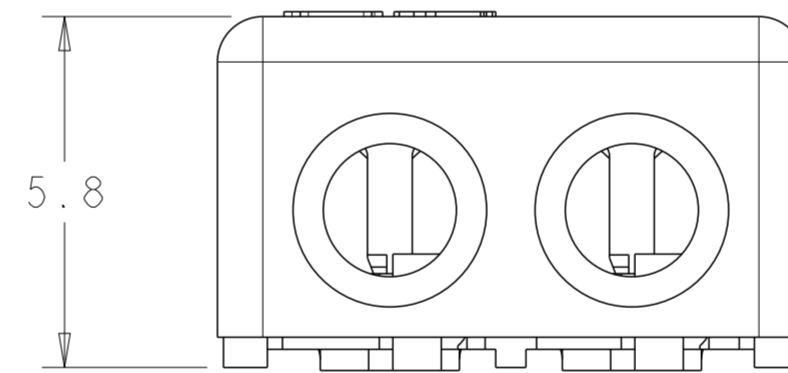
8. 1 POSITION ASSEMBLY DOES NOT COMPLY WITH EIA 481 SPECIFICATION.



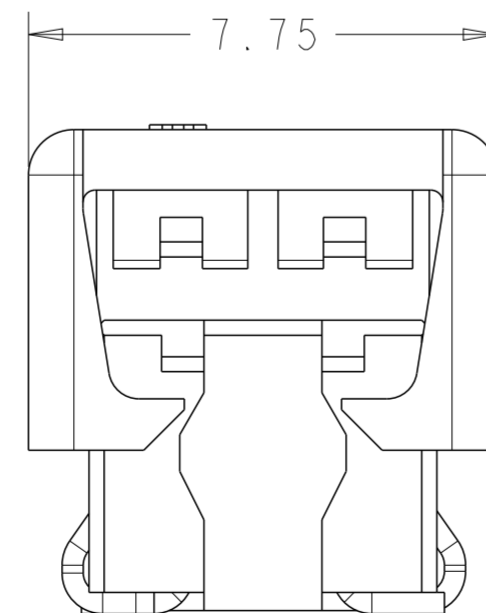
2 POSITION SHOWN AS SHIPPED



FOR 1 POSITION ONLY



2 POSITION SHOWN CLOSED SCALE 8:1



FOR 2, 3 AND 4 POSITIONS

RED	17.70	24 AWG	4	3-2106431-4
	13.70	24 AWG	3	3-2106431-3
	9.70	24 AWG	2	3-2106431-2
	5.70	24 AWG	1	8 3-2106431-1
GREEN	17.70	22 AWG	4	2-2106431-4
	13.70	22 AWG	3	2-2106431-3
	9.70	22 AWG	2	2-2106431-2
	5.70	22 AWG	1	8 2-2106431-1
BLUE	17.70	20 AWG	4	1-2106431-4
	13.70	20 AWG	3	1-2106431-3
	9.70	20 AWG	2	1-2106431-2
	5.70	20 AWG	1	8 1-2106431-1
YELLOW	17.70	18 AWG	4	2106431-4
	13.70	18 AWG	3	2106431-3
	9.70	18 AWG	2	2106431-2
	5.70	18 AWG	1	8 2106431-1
COLOR CODE	DIM D	WIRE SIZE	POSN	PART NUMBER

THIS DRAWING IS A CONTROLLED DOCUMENT. DWN C DAILY 09DEC2008  
 CHK J DYER 09DEC2008

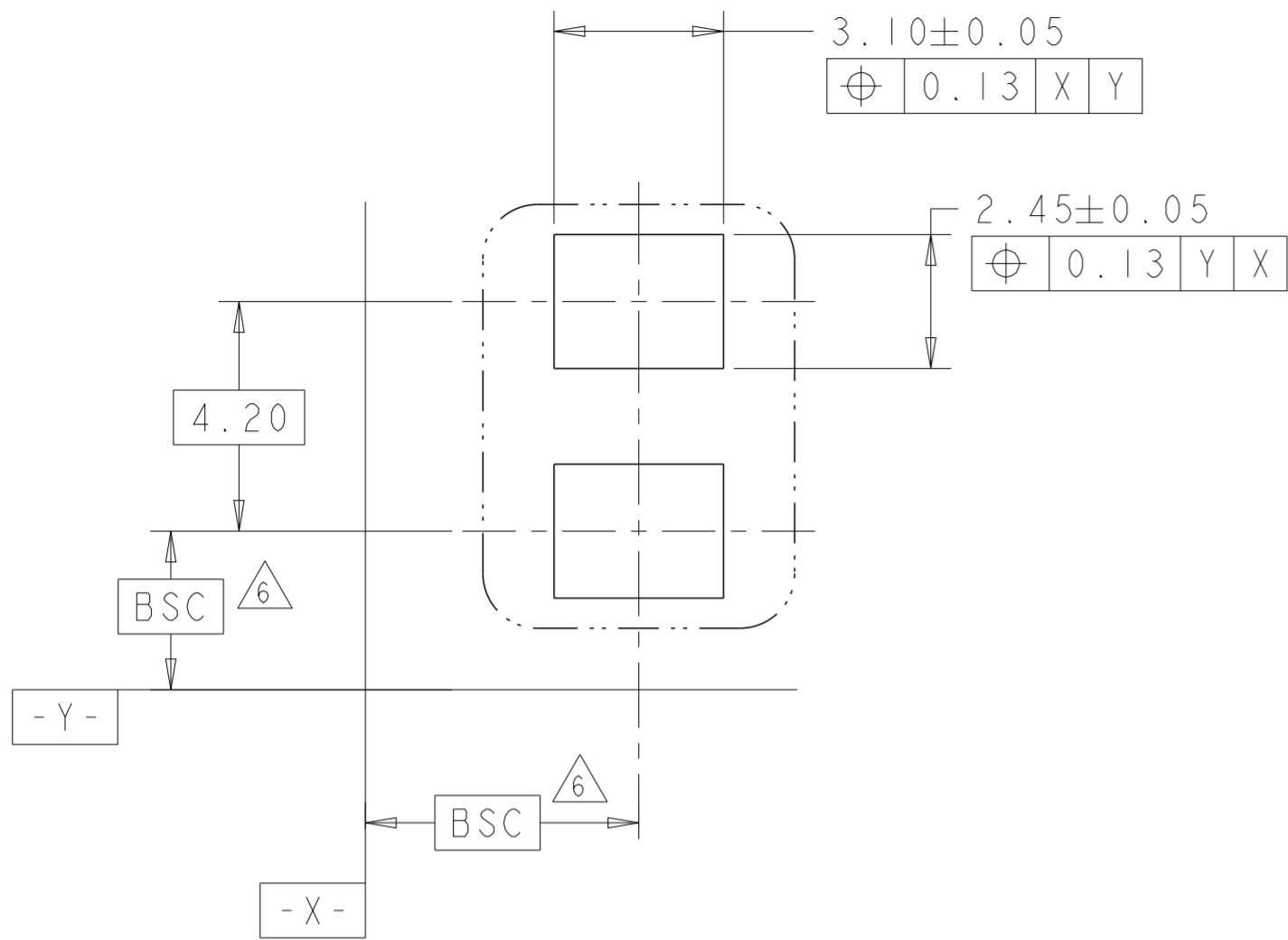
**STE** TE Connectivity

ASSEMBLY, IDC SSL CONNECTOR, SMT, PASS THRU

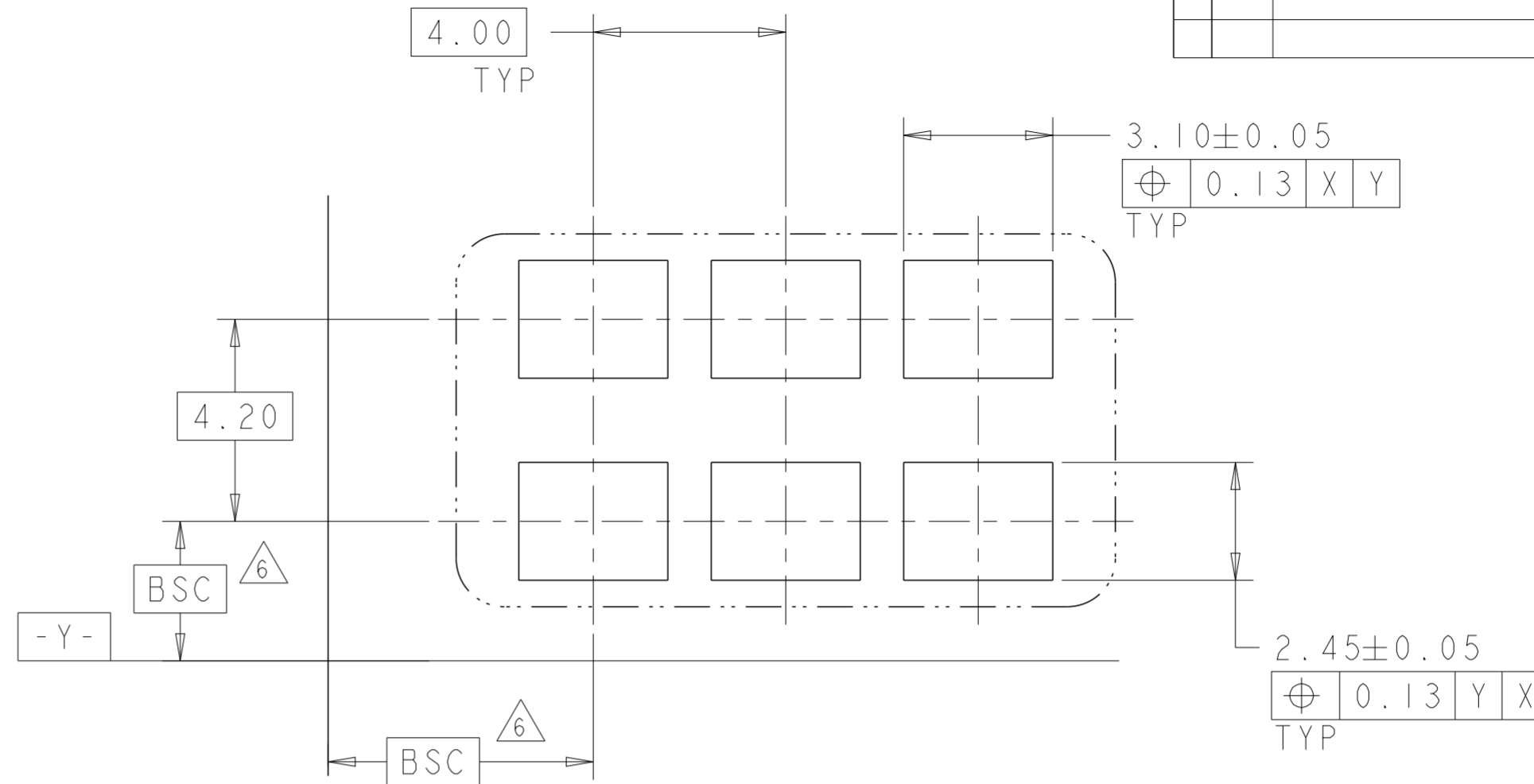
DIMENSIONS: mm	TOLERANCES UNLESS OTHERWISE SPECIFIED:	PRODUCT SPEC 108-2404	SIZE A2	CAGE CODE 00779	DRAWING NO C-2106431	RESTRICTED TO
0 PLC ±	1 PLC ±0.5	APPLICATION SPEC 114-13266	SCALE 8:1	SHEET 1	OF 3	REV C
2 PLC ±0.13	3 PLC ±	WEIGHT -	Customer Drawing			
4 PLC ±	ANGLES ±					
FINISH						

THIS DRAWING IS UNPUBLISHED. RELEASED FOR PUBLICATION 20  
 © COPYRIGHT 20 BY - ALL RIGHTS RESERVED.

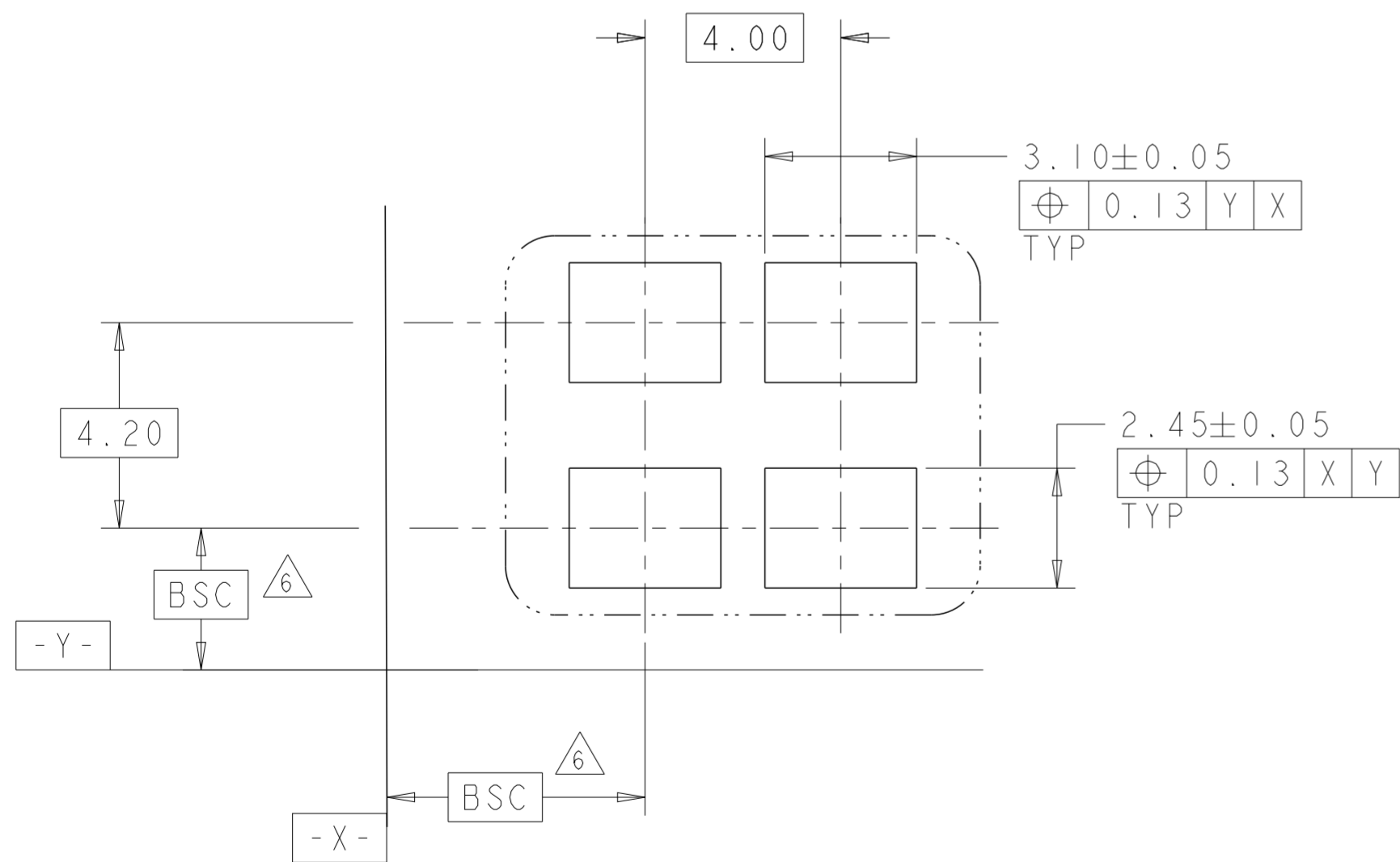
LOC		DIST		REVISIONS				
P	LTR	DESCRIPTION			DATE	DWN	APVD	
-	-	SEE SHEET 1			-	-	-	



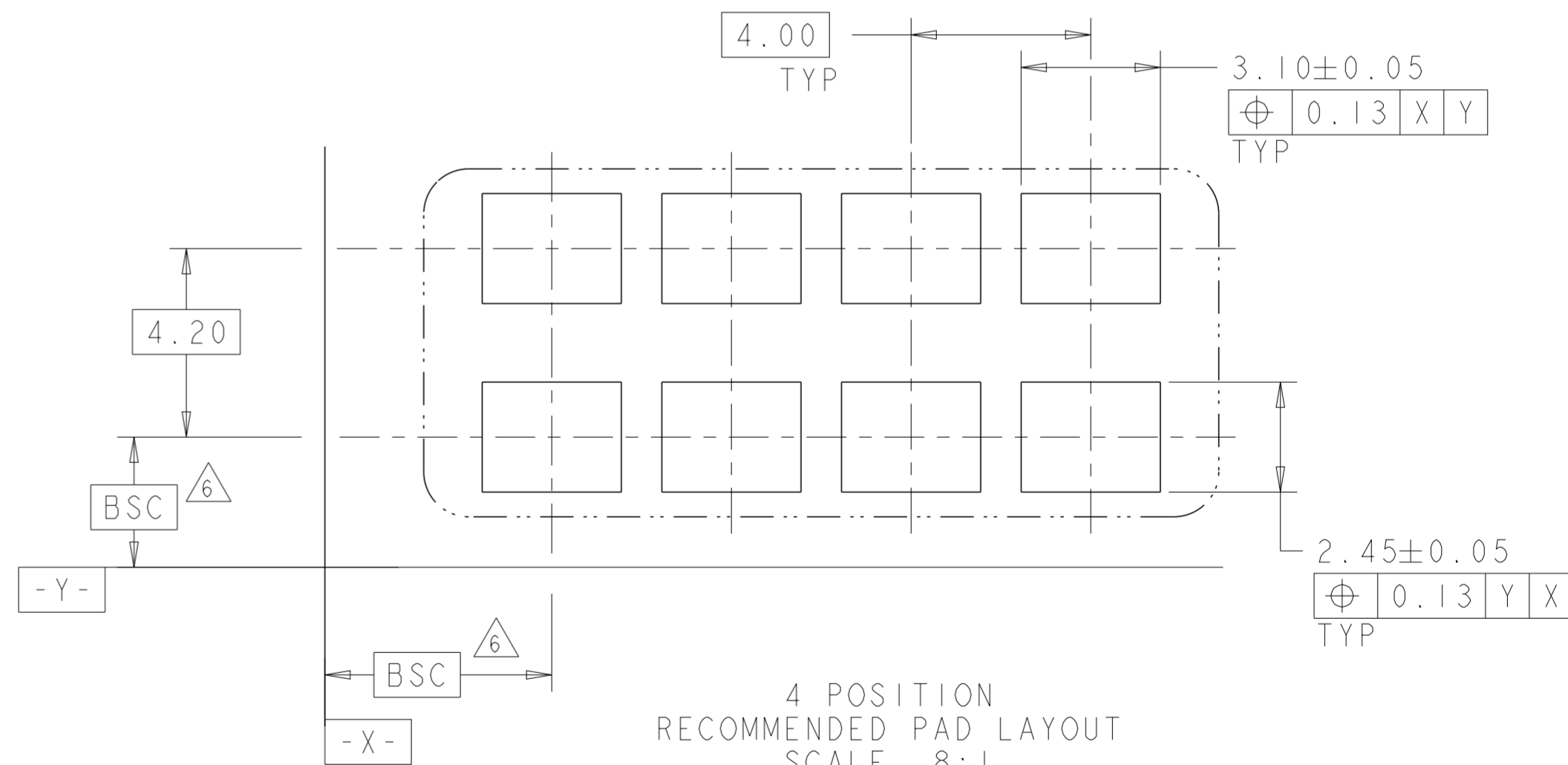
1 POSITION  
RECOMMENDED PAD LAYOUT  
SCALE 8:1



3 POSITION  
RECOMMENDED PAD LAYOUT  
SCALE 8:1



2 POSITION  
RECOMMENDED PAD LAYOUT  
SCALE 8:1



4 POSITION  
RECOMMENDED PAD LAYOUT  
SCALE 8:1

THIS DRAWING IS A CONTROLLED DOCUMENT.		DWN C DAILY 09DEC2008	TE Connectivity	
		CHK J DYER 09DEC2008		
DIMENSIONS: mm		APVD -		NAME ASSEMBLY, IDC SSL CONNECTOR, SMT, PASS THRU
TOLERANCES UNLESS OTHERWISE SPECIFIED: 0 PLC ± 1 PLC ±0.5 2 PLC ±0.13 3 PLC ± 4 PLC ± ANGLES ± FINISH		PRODUCT SPEC 108-2404		SIZE A2
MATERIAL material_2		APPLICATION SPEC 114-13266		CAGE CODE 00779
		WEIGHT -		DRAWING NO C-2106431
		Customer Drawing		RESTRICTED TO -
		SCALE 8:1		SHEET 1 OF 3
				REV C