



1215-1250, 1559-1610 MHz GNSS ANTENNA

Part Number: 2108848-1

FEATURES & BENEFITS

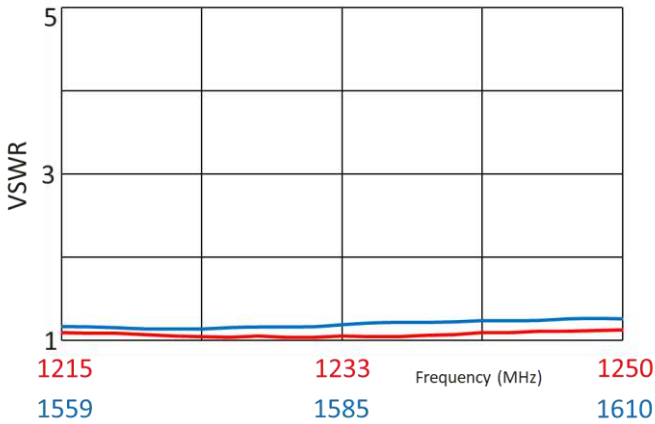
- L1+G1 & L2+G2 Multi bands for GNSS
- Dual Port Patch Antenna
- Through-hole assembly
- The following data is based on Dia.150mm ground size

SPECIFICATIONS

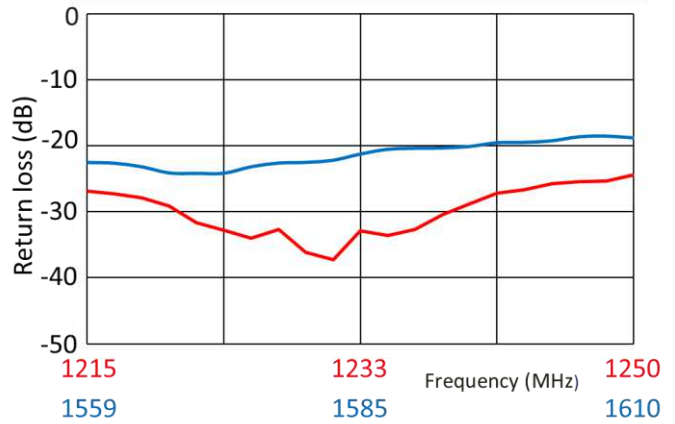
Frequency Range (MHz)	1215 - 1250	1559 - 1610
VSWR	< 1.2:1	< 1.3:1
Peak Gain at Zenith	Typ. 4.2 dBic	Typ. 6.0 dBic
Axial ratio at Zenith	Typ. 1.5 dB	Typ. 1.9 dB
Average Gain	-3.6 dBic	-2.5 dBic
Isolation	-18 dB	-20dB
LNA (Voltage & Current)	N/A	
Feed Point Impedance	50 ohms	
Polarization	RHCP	
Size	33.0 mm x 33.0 mm x 15.0 mm	
Weight	< 46.0 g	
Mounting	Adhesive Tape	
Mating Connector	N/A	
Cable	N/A	
Operating Temperature	-40 to +85°C	
Storage Temperature	-40 to +85°C	
Hazardous Materials	A certificate of conformance is available from the product page on TE website.	

RF DATA

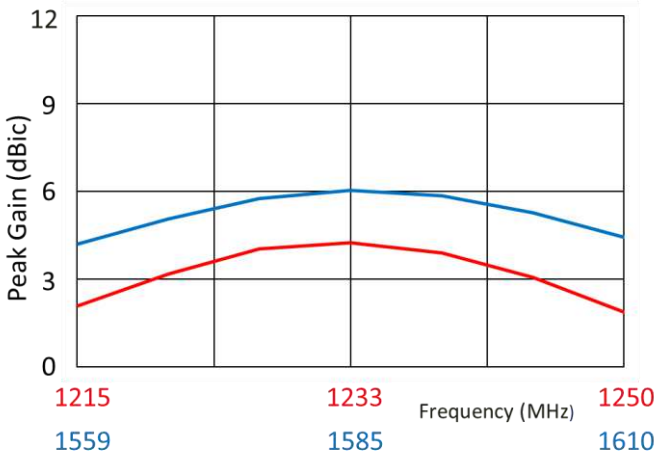
VSWR



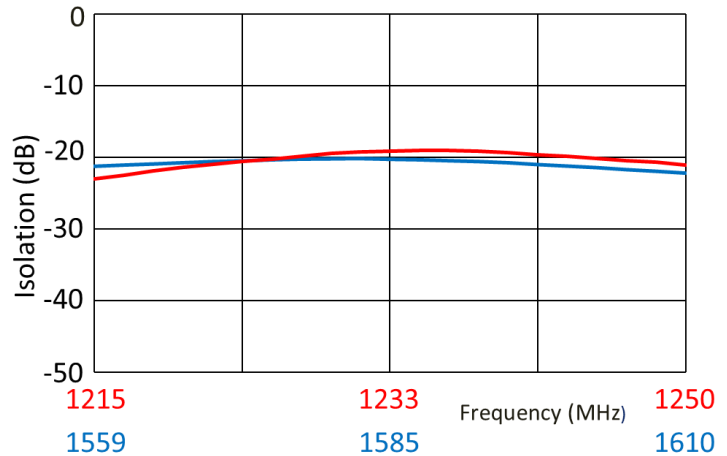
Return Loss



Peak Gain

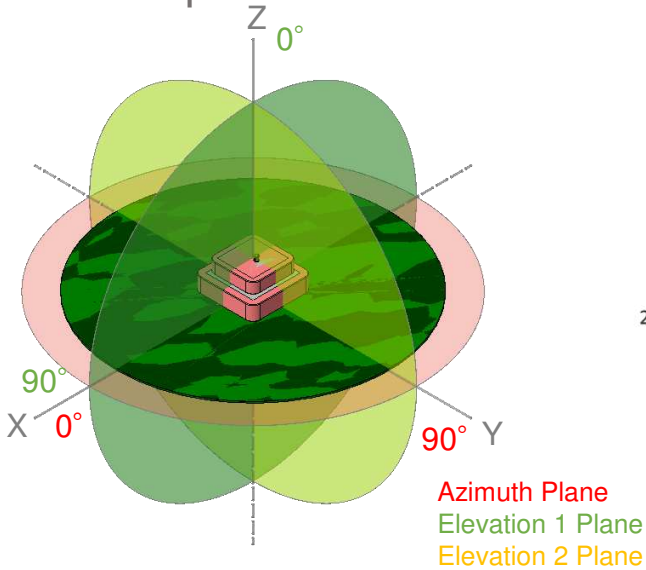


Isolation

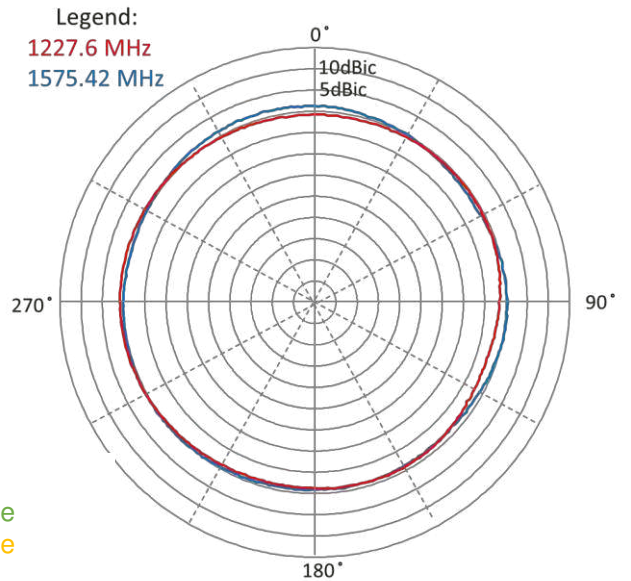


RADIATION PATTERN

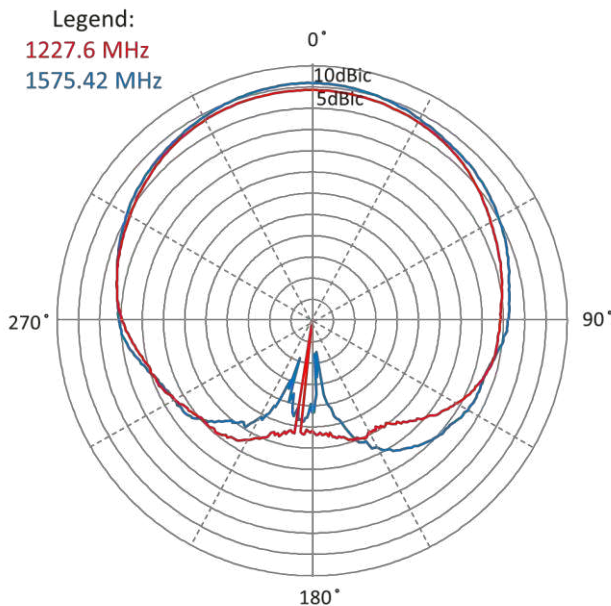
Test setup



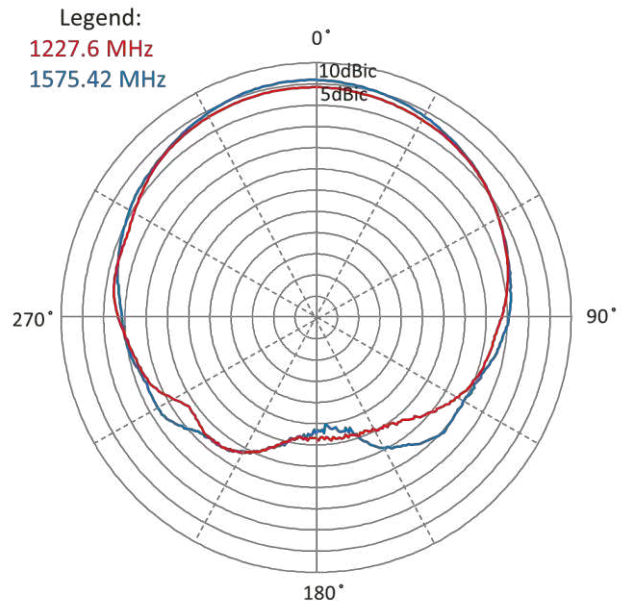
Azimuth



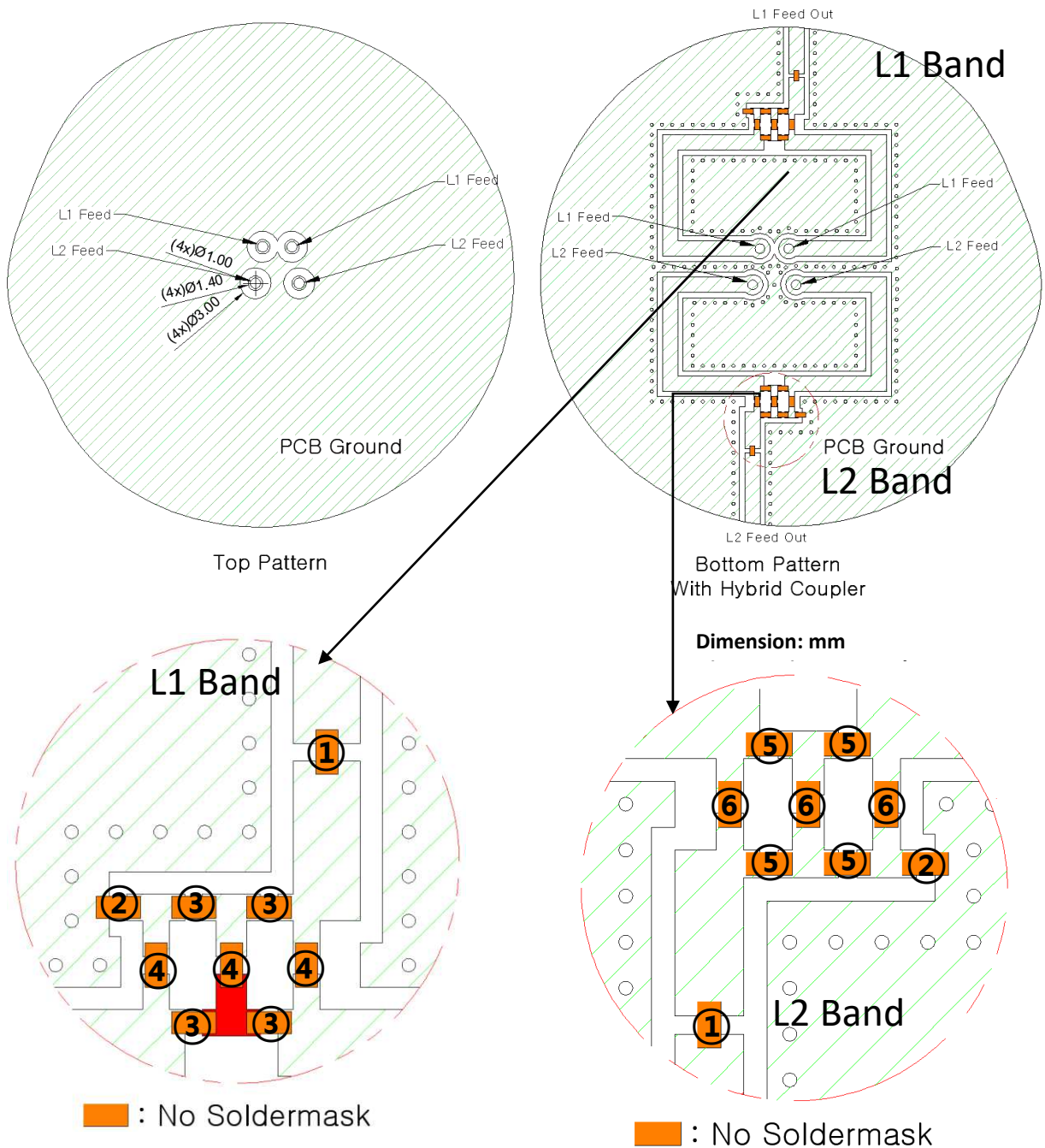
Elevation 1



Elevation 2



MOUNTING GUIDE



NOTES: 1. Suggested matching component pads
 2. Please contact us for more information
 3. Measured with below matching circuit condition.

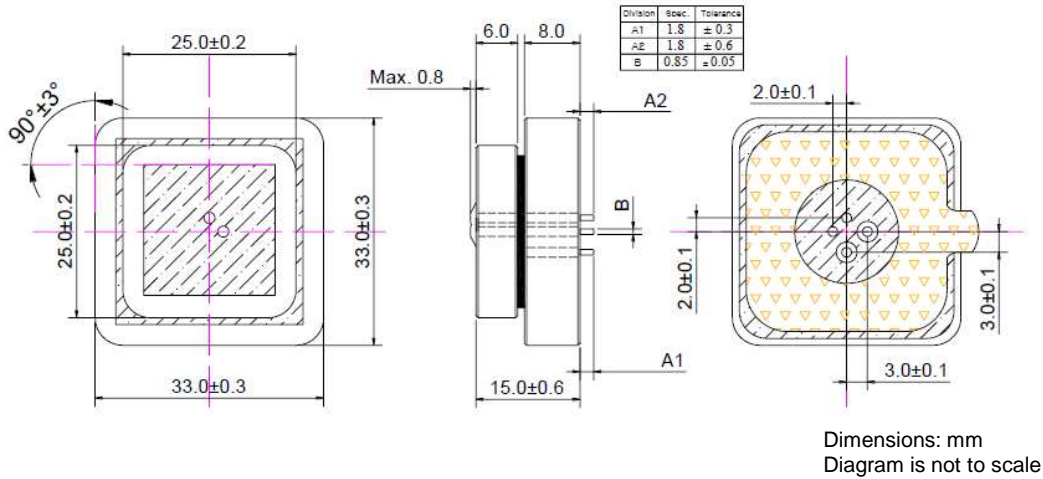
- ① 100pF ② 50ohm ③ 2.2pF ④ 4.7nH ⑤ 3.0pF ⑥ 6.8nH

Dimension: mm
 Diagrams is not to scale

1215-1250, 1559-1610 MHz GNSS ANTENNA

Standard Antenna Solutions

DIMENSIONS



PACKAGING

