

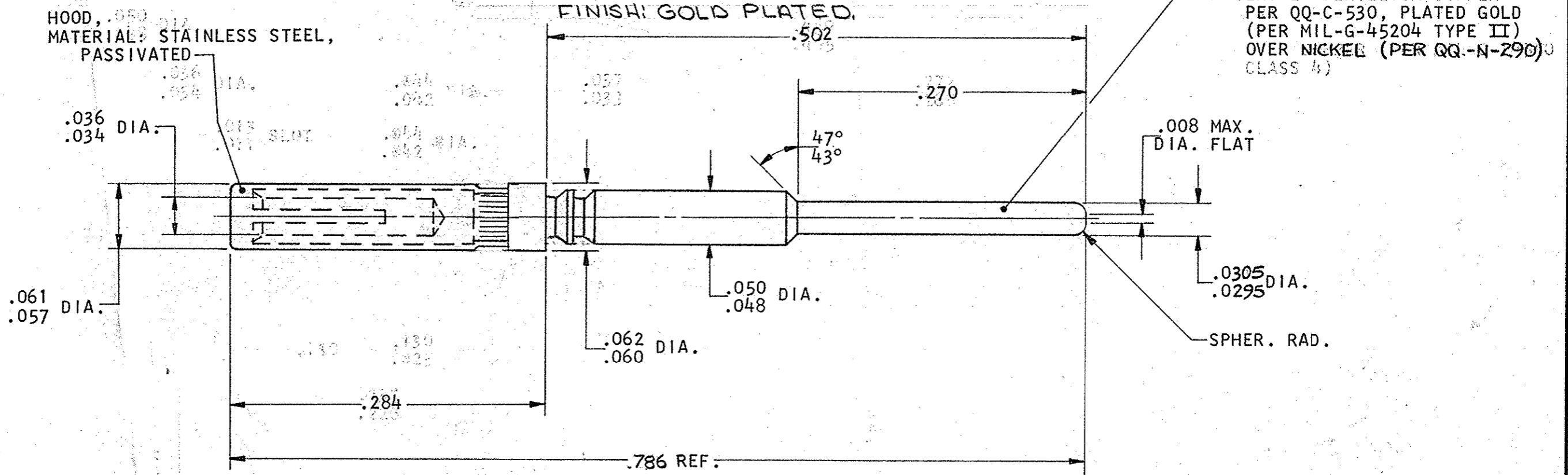
THIS DRAWING IS UNPUBLISHED. RELEASED FOR PUBLICATION *FEBRUARY 25, 1982.*

© COPYRIGHT 1982 BY AMP INCORPORATED, HARRISBURG, PA. ALL INTERNATIONAL RIGHTS RESERVED. AMP PRODUCTS MAY BE COVERED BY U.S. AND FOREIGN PATENTS AND/OR PATENTS PENDING.

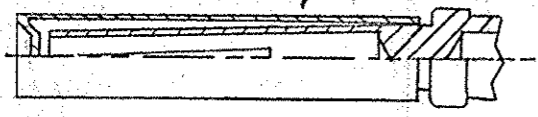
1 LOC DE DIST DO

REVISIONS						
P	F	ZONE	LTR	DESCRIPTION	DATE	APPROVED
✓	✓		E	REV PER 0630-0543-03	05 1503	LO

- 211009-1 1. AS SHOWN
- 2 1. SAME AS -1 EXCEPT:  
2. SPECIAL TESTING REQ'D
- △-3 1. SAME AS -1 EXCEPT:  
2. MAT'L: BERYLLIUM COPPER PER QQ-C-530.  
FINISH: PLATED GOLD PER MIL-G-45204, TYPE II.  
OVER COPPER PER MIL-C-14550.  
3. HOOD: COPPER ALLOY PER QQ-B-613  
FINISH: GOLD PLATED.



ALTERNATE CONFIGURATION FOR -1 & -2



△ 211009-3 HAS CRIMPED HOOD, C-1 & -2 ARE PRESS FIT OR CRIMPED.

UNLESS OTHERWISE SPECIFIED DIMENSIONS ARE IN INCHES. TOLERANCES ON: DECIMALS ± .005 ANGLES ± //		CONTRACT NO		PART NO	
MATERIAL SEE CALLOUT		CONTRACT NO DR <i>E.A. Eng...</i> 2-15-82 CHK <i>Larry S. Sawyer</i> 3-9-82 APPD <i>...</i> 5-18-82 APPD <i>...</i> 3-19-82		AMP INCORPORATED Harrisburg, Pa.	
FINISH SEE CALLOUT		NAME CONTACT, SIZE 22, FOR HDD-22 CONNECTOR SAVER		DRAWING NO 211009	
		SIZE <b>B</b>	FSCM NO <b>00779</b>	SHEET 1 OF 1	
		SCALE //			