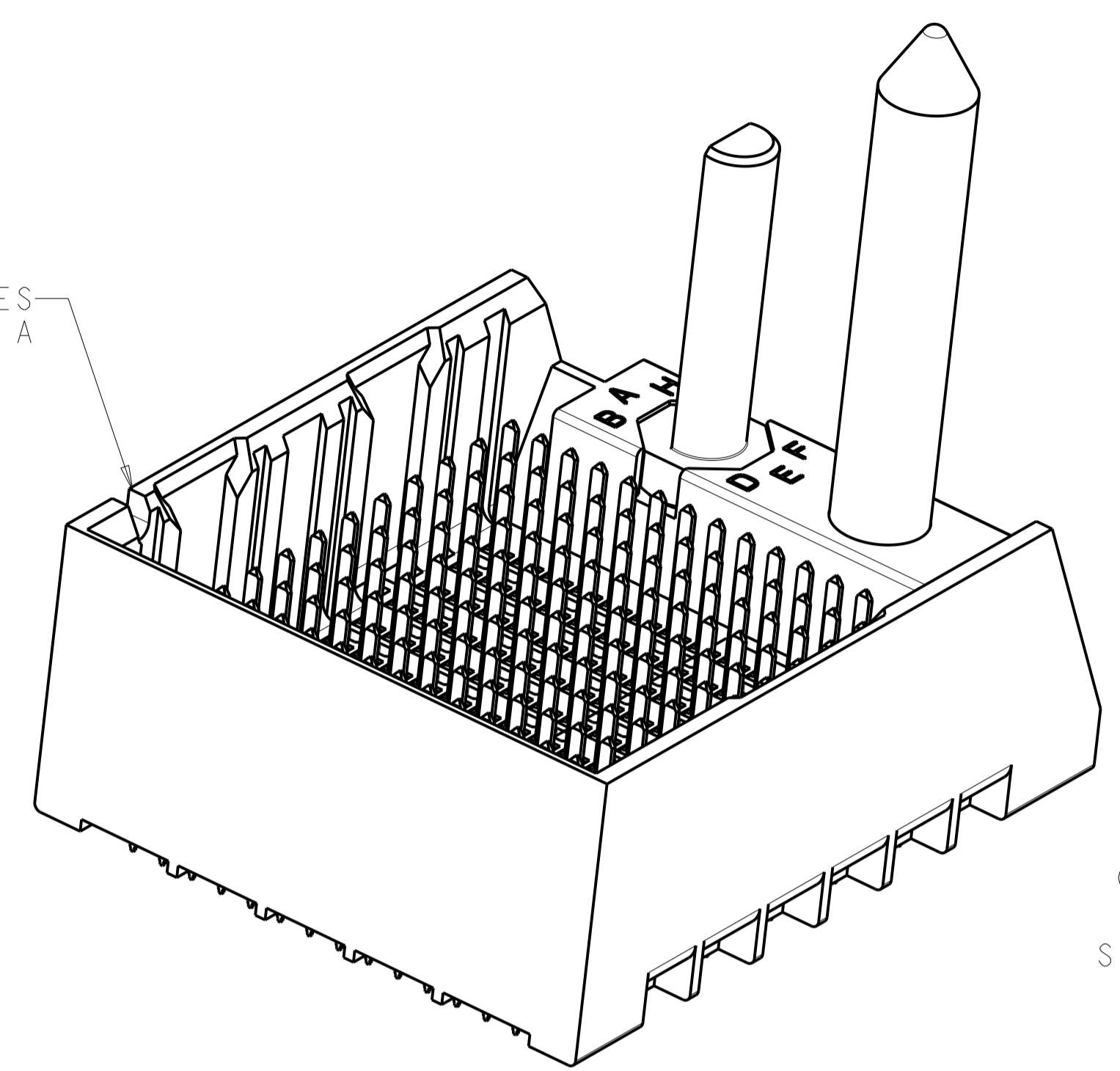
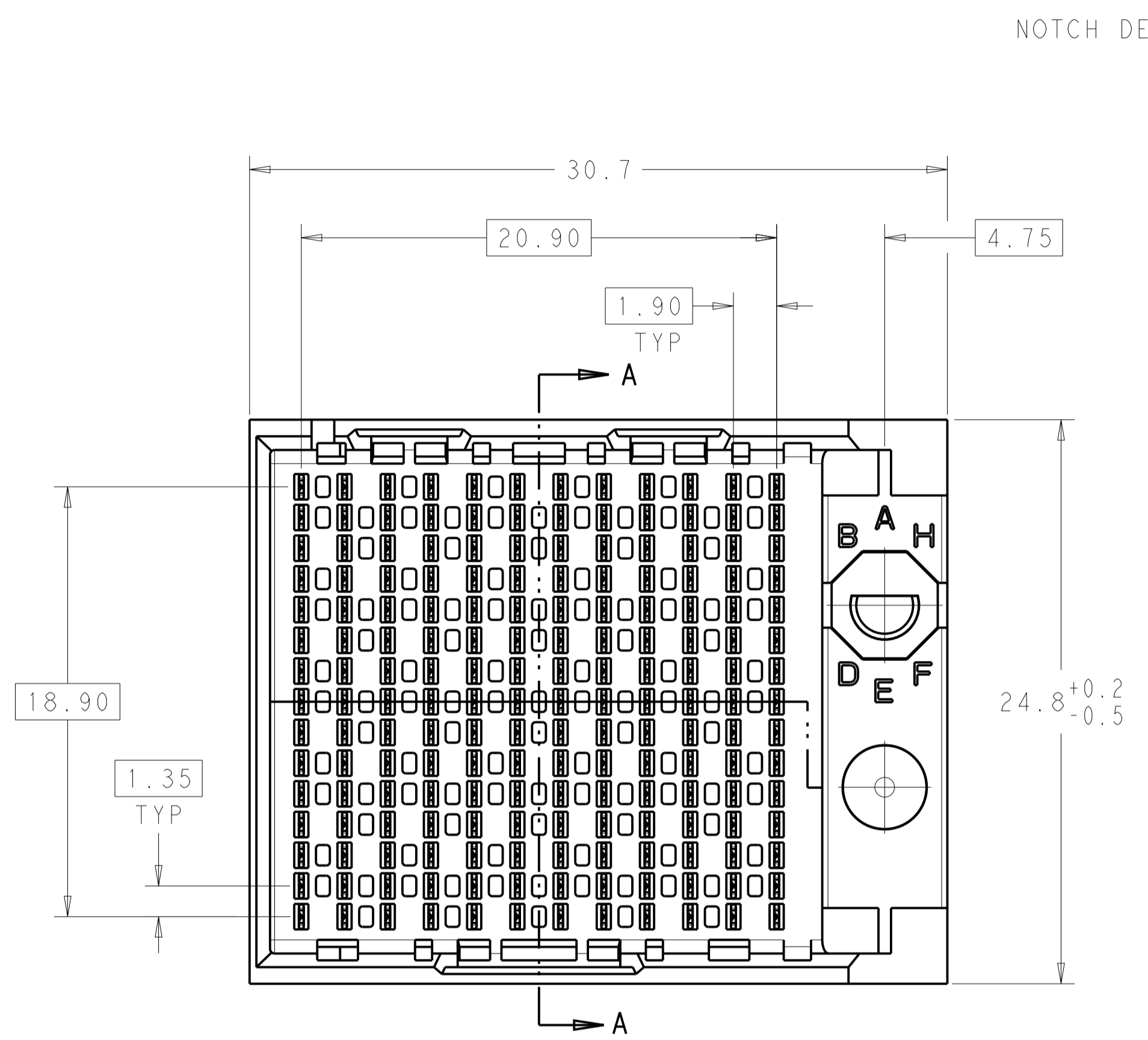
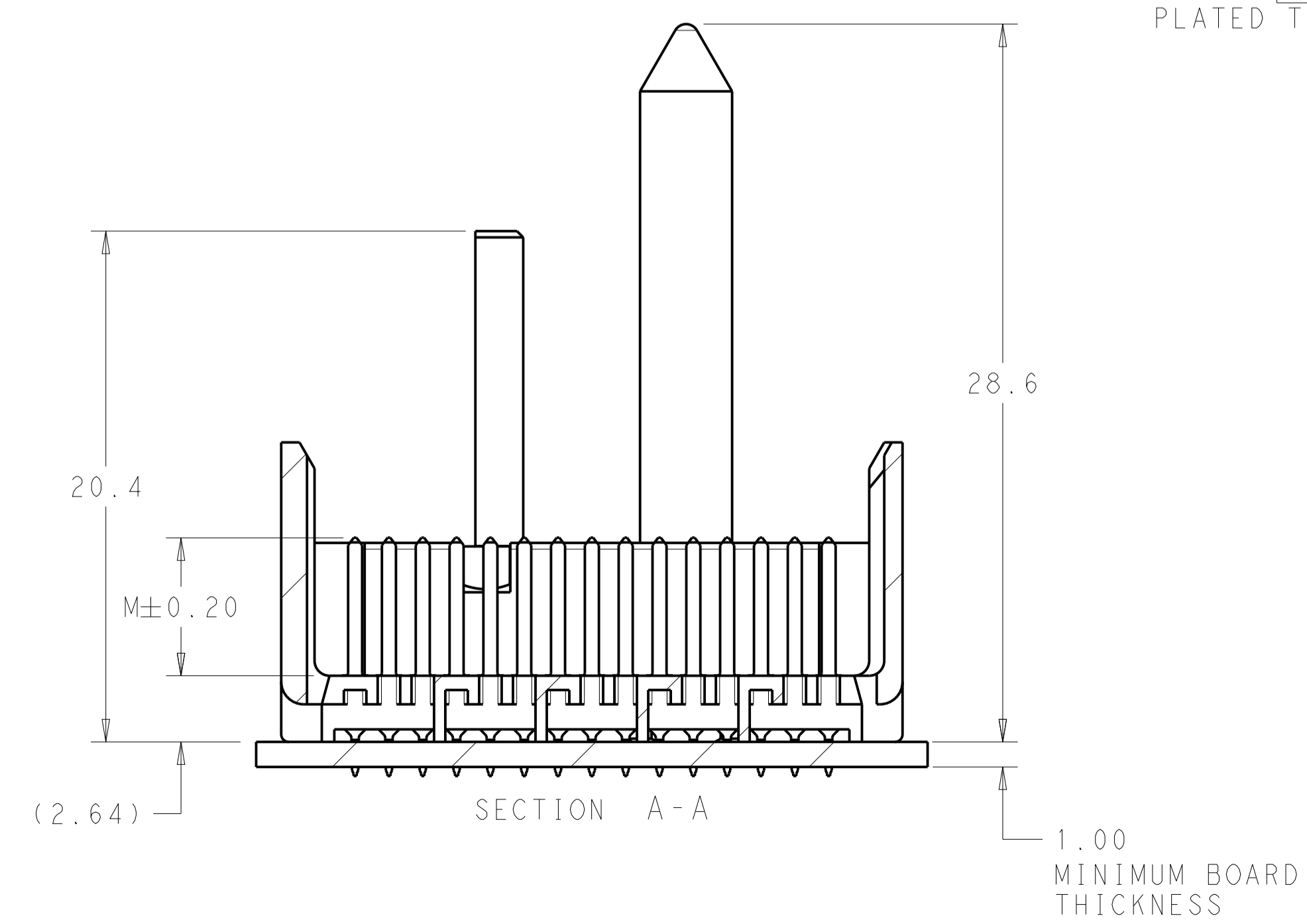
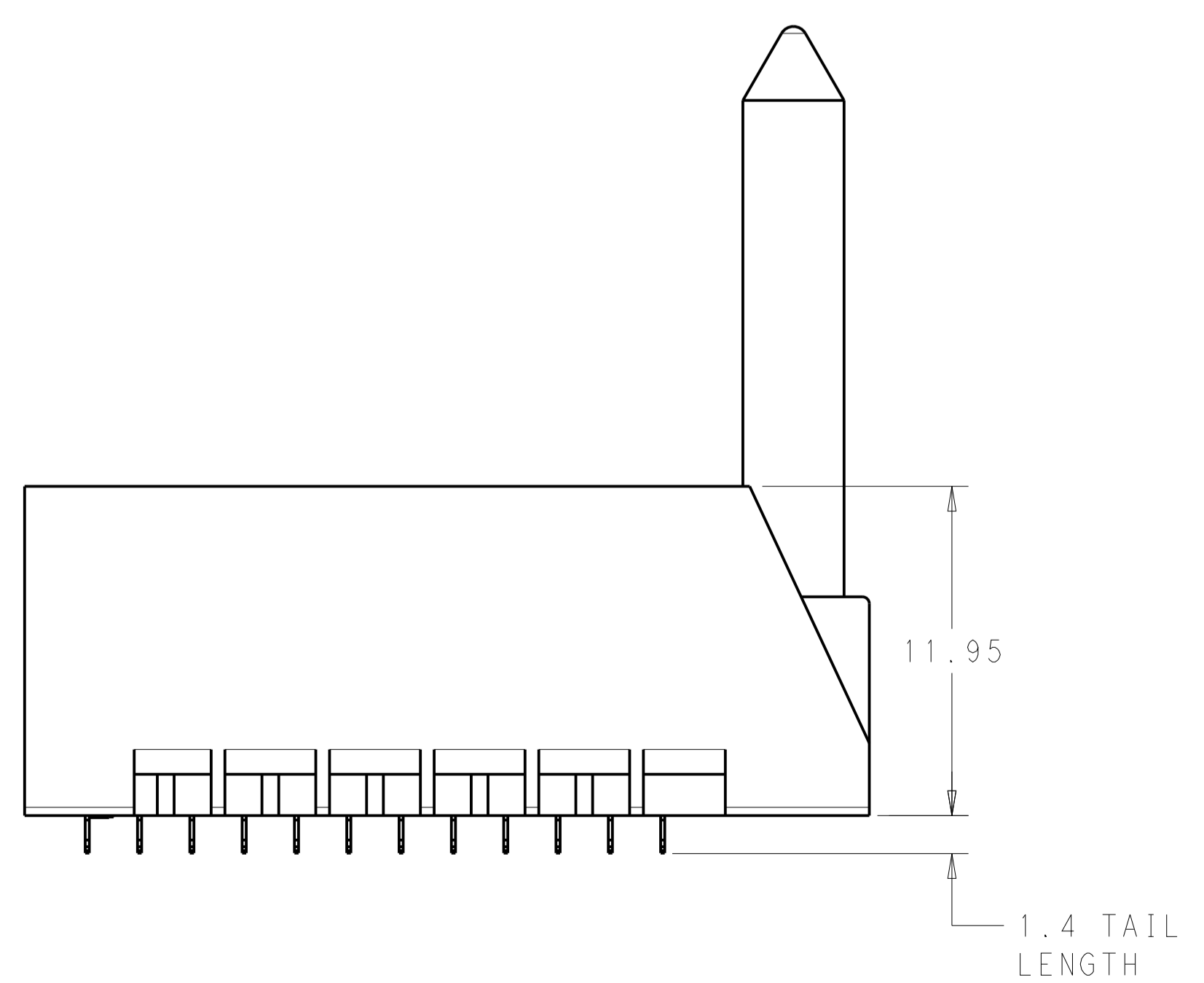
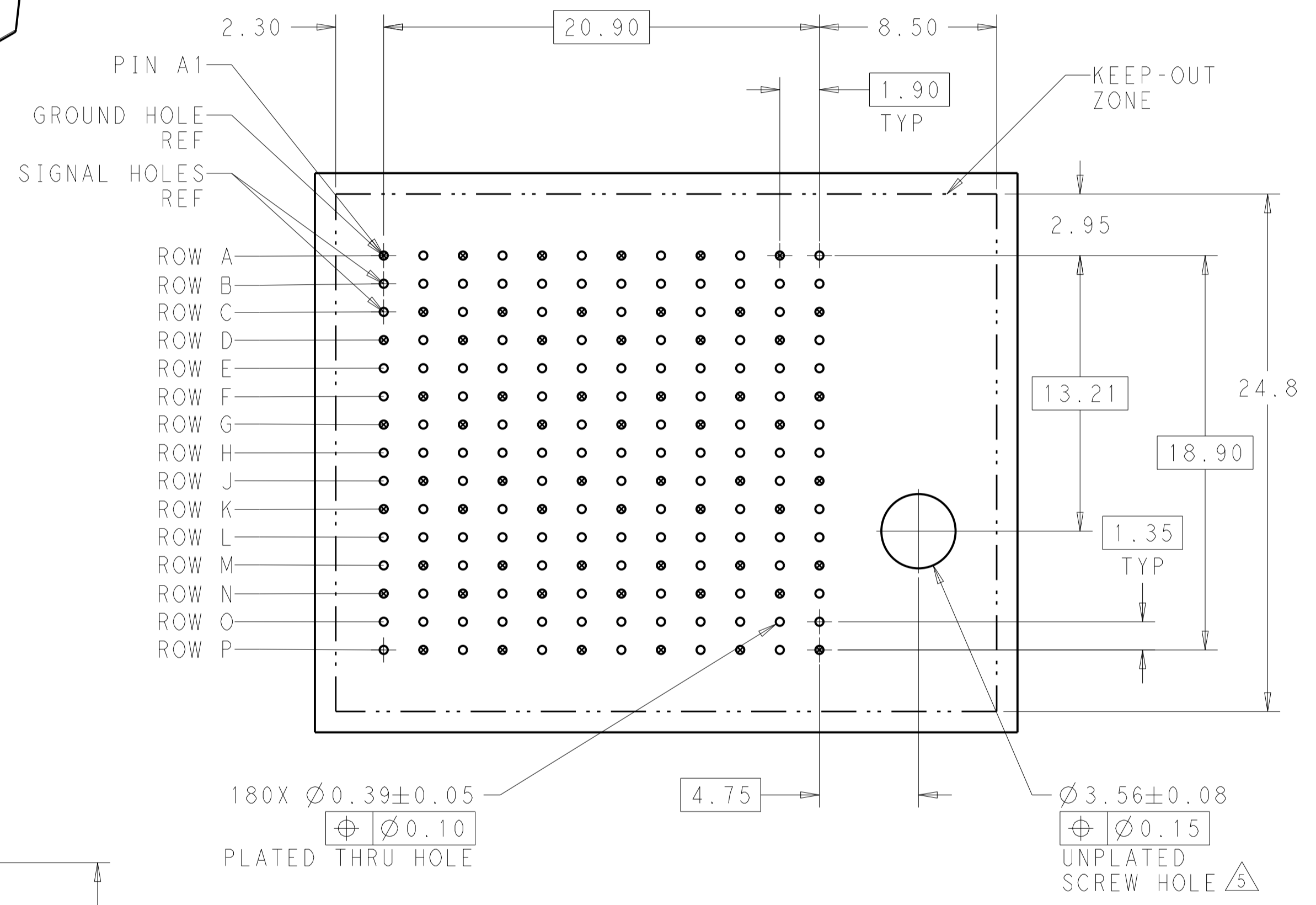


REVISIONS				
P.	LTM	DESCRIPTION	DATE	APVD
B		REVISED PER ECO-14-000933	29JAN2014	AP DD



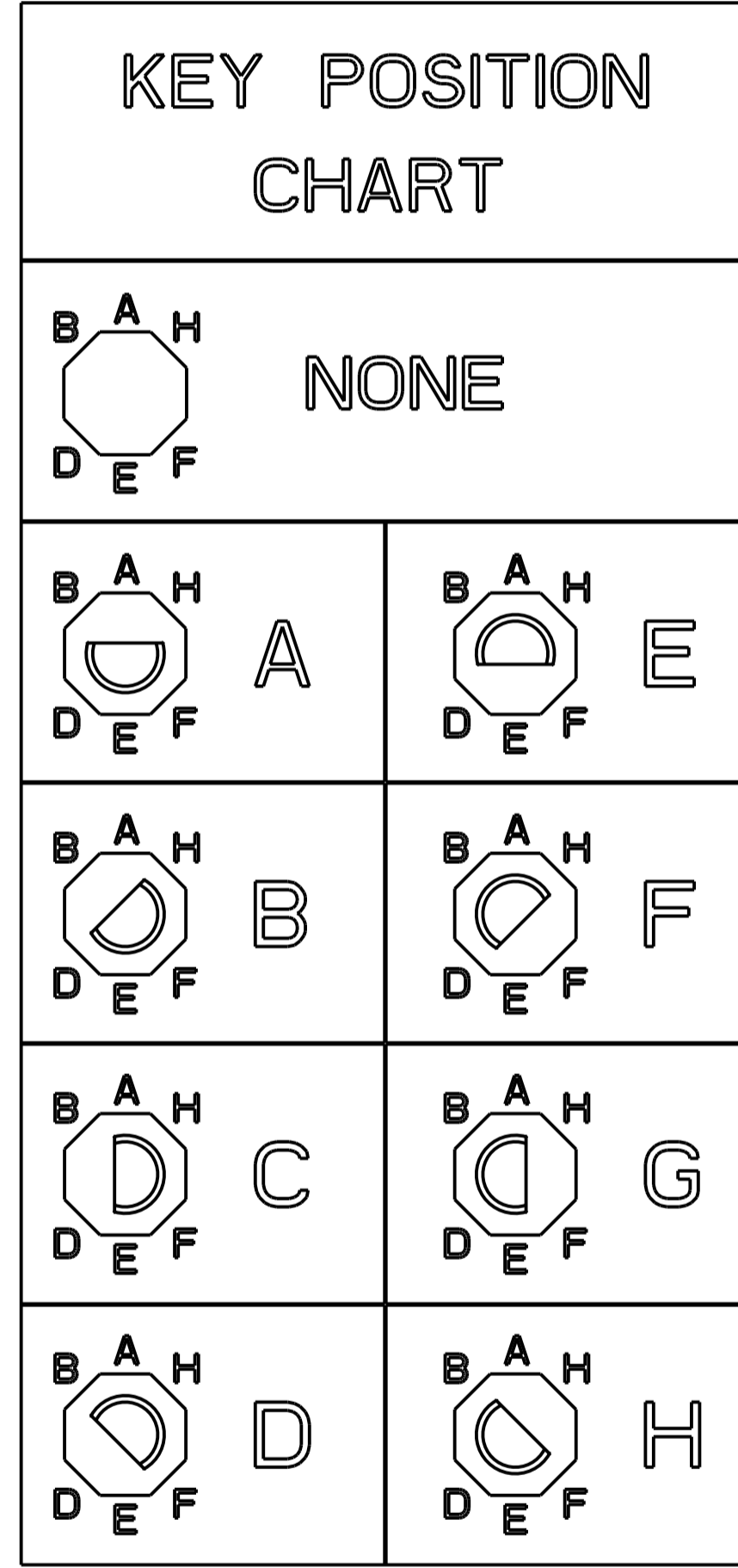
- △ MATERIAL:
HOUSING: LCP, GLASS FILLED, UL94V-0.
TERMINALS: HIGH PERFORMANCE COPPER ALLOY.
- △ FINISH:
30μ" MIN GOLD IN CONTACT AREA. SELECTIVE TIN ON PCB TAILS, NICKEL OVERALL.
- △ FINISH:
30μ" MIN GOLD IN CONTACT AREA. SELECTIVE TIN-LEAD ON PCB TAILS, NICKEL OVERALL.
- 4. SCREWS PACKAGED IN END OF PACKAGING TUBE.
- △ FOR GROUNDED GUIDE PIN USE $\varnothing 3.56 \pm 0.08$ PTH, $\varnothing 3.66$ DRILL, AND $\varnothing 6.5$ PAD.
- 6. KEYING PIN SHOWN IN POSITION A, SEE KEYING CHART ON SHEET 2 FOR OTHER POSITIONS.



THIS DRAWING IS A CONTROLLED DOCUMENT.		DWN: RKC 06MAY2011	STE TE Connectivity
DIMENSIONS: mm		CHK: J. EARY 06MAY2011	
TOLERANCES UNLESS OTHERWISE SPECIFIED:		APVD: J. EARY 06MAY2011	NAME: IMPACT, 5 PAIR, 12 COLUMN, HEADER RIGHT GUIDED, LEFT END WALL SIGNAL MODULE, 0.39 PTH
0 PLC ±		PRODUCT SPEC	
1 PLC ±0.25		APPLICATION SPEC	SIZE: CAGE CODE DRAWING NO. RESTRICTED TO
2 PLC ±0.13		WEIGHT	A100779C=2110186
3 PLC ±		CUSTOMER DRAWING	SCALE: 5:1 SHEET 1 OF 2 REV B
4 PLC ±			
ANGLES ±			
FINISH: SEE TABLE			

REVISIONS				
REV	LTN	DESCRIPTION	DATE	APVD
-	-	SEE SHEET 1	-	-

3	H	5.5	8-2110186-6
3	H	4.9	8-2110186-5
3	H	4.5	8-2110186-4
2	H	5.5	8-2110186-3
2	H	4.9	8-2110186-2
2	H	4.5	8-2110186-1
3	G	5.5	7-2110186-6
3	G	4.9	7-2110186-5
3	G	4.5	7-2110186-4
2	G	5.5	7-2110186-3
2	G	4.9	7-2110186-2
2	G	4.5	7-2110186-1
3	F	5.5	6-2110186-6
3	F	4.9	6-2110186-5
3	F	4.5	6-2110186-4
2	F	5.5	6-2110186-3
2	F	4.9	6-2110186-2
2	F	4.5	6-2110186-1
3	E	5.5	5-2110186-6
3	E	4.9	5-2110186-5
3	E	4.5	5-2110186-4
2	E	5.5	5-2110186-3
2	E	4.9	5-2110186-2
2	E	4.5	5-2110186-1
3	D	5.5	4-2110186-6
3	D	4.9	4-2110186-5
3	D	4.5	4-2110186-4
2	D	5.5	4-2110186-3
2	D	4.9	4-2110186-2
2	D	4.5	4-2110186-1
3	C	5.5	3-2110186-6
3	C	4.9	3-2110186-5
3	C	4.5	3-2110186-4
2	C	5.5	3-2110186-3
2	C	4.9	3-2110186-2
2	C	4.5	3-2110186-1
3	B	5.5	2-2110186-6
3	B	4.9	2-2110186-5
3	B	4.5	2-2110186-4
2	B	5.5	2-2110186-3
2	B	4.9	2-2110186-2
2	B	4.5	2-2110186-1
3	A	5.5	1-2110186-6
3	A	4.9	1-2110186-5
3	A	4.5	1-2110186-4
2	A	5.5	1-2110186-3
2	A	4.9	1-2110186-2
2	A	4.5	1-2110186-1
3	-	5.5	2110186-6
3	-	4.9	2110186-5
3	-	4.5	2110186-4
2	-	5.5	2110186-3
2	-	4.9	2110186-2
2	-	4.5	2110186-1
FINISH	KEY POSITION	DIM M	PART NUMBER



REFER TO WWW.TE.COM
FOR PRODUCT AVAILABILITY

THIS DRAWING IS A CONTROLLED DOCUMENT.		DWN: RKC 06MAY2011 CHK: J. EARY 06MAY2011 APVD: J. EARY 06MAY2011	TE Connectivity
DIMENSIONS: mm	TOLERANCES UNLESS OTHERWISE SPECIFIED: 0 PLC ±0.25 2 PLC ±0.13 3 PLC ±0.13 4 PLC ±0.13 ANGLES ±0.13	PRODUCT SPEC APPLICATION SPEC WEIGHT	
MATERIAL	SEE TABLE	CUSTOMER DRAWING	NAME: IMPACT, 5 PAIR, 12 COLUMN, HEADER RIGHT GUIDED, LEFT END WALL SIGNAL MODULE, 0.39 PTH SIZE: A100779 C=2110186 RESTRICTED TO: -
		SCALE: 5:1	SHEET 2 OF 2 REV B