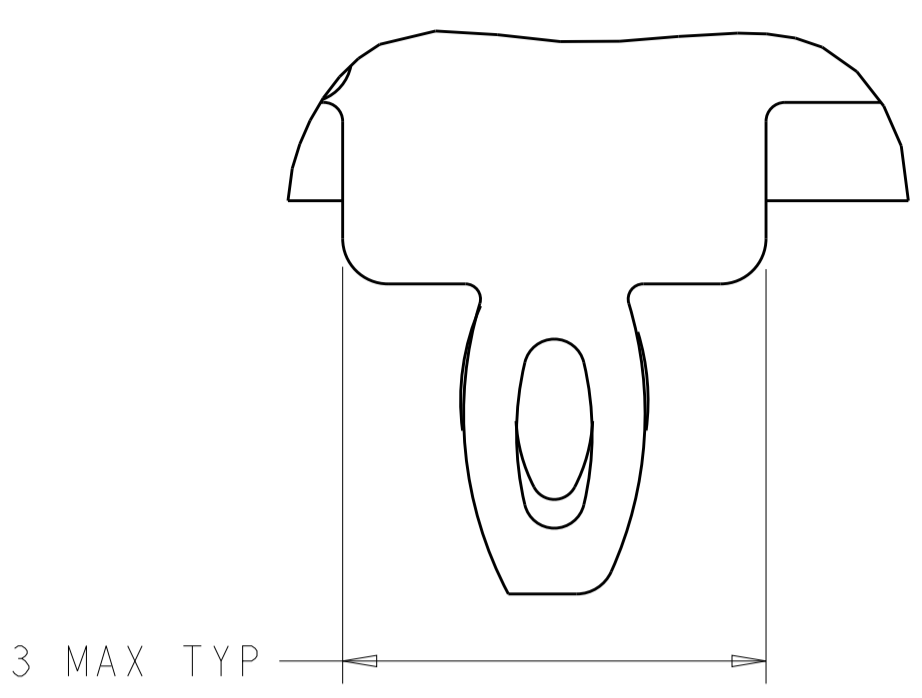


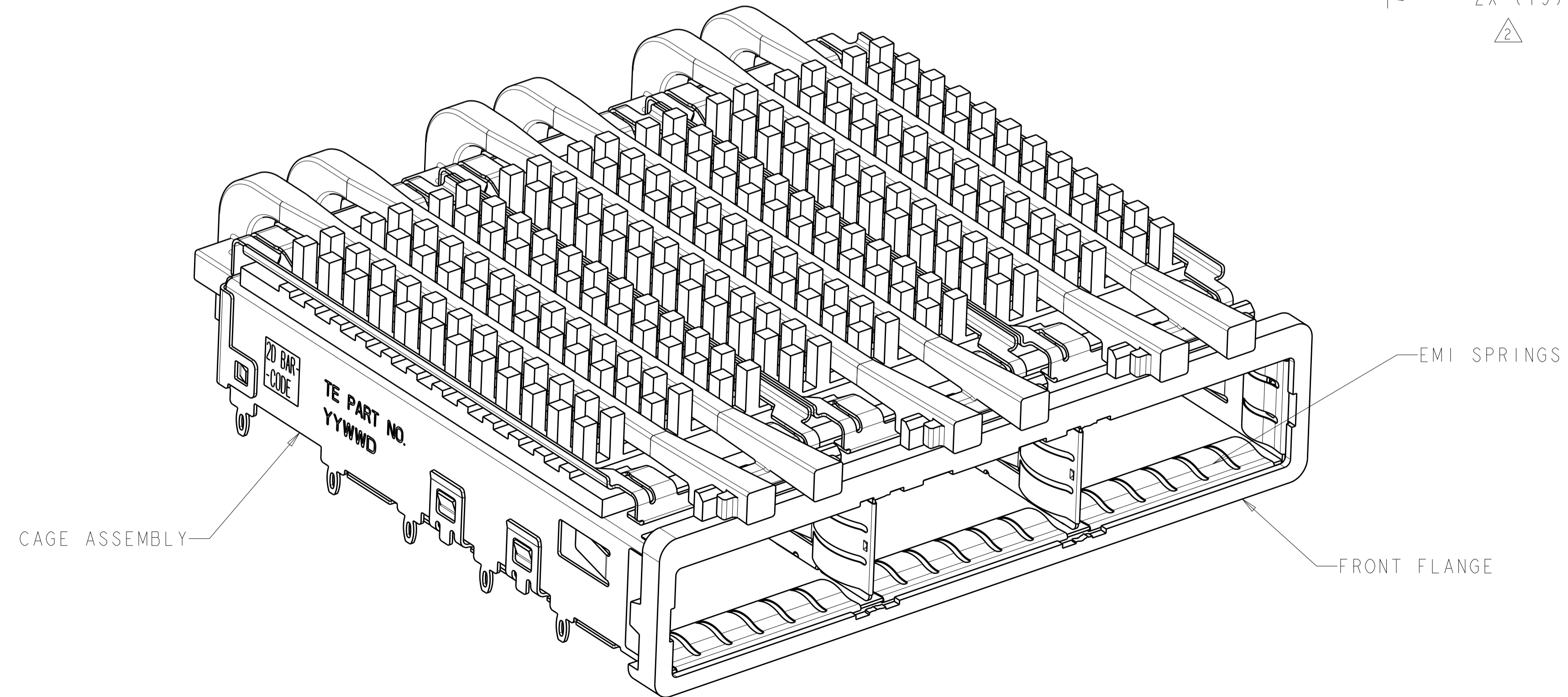
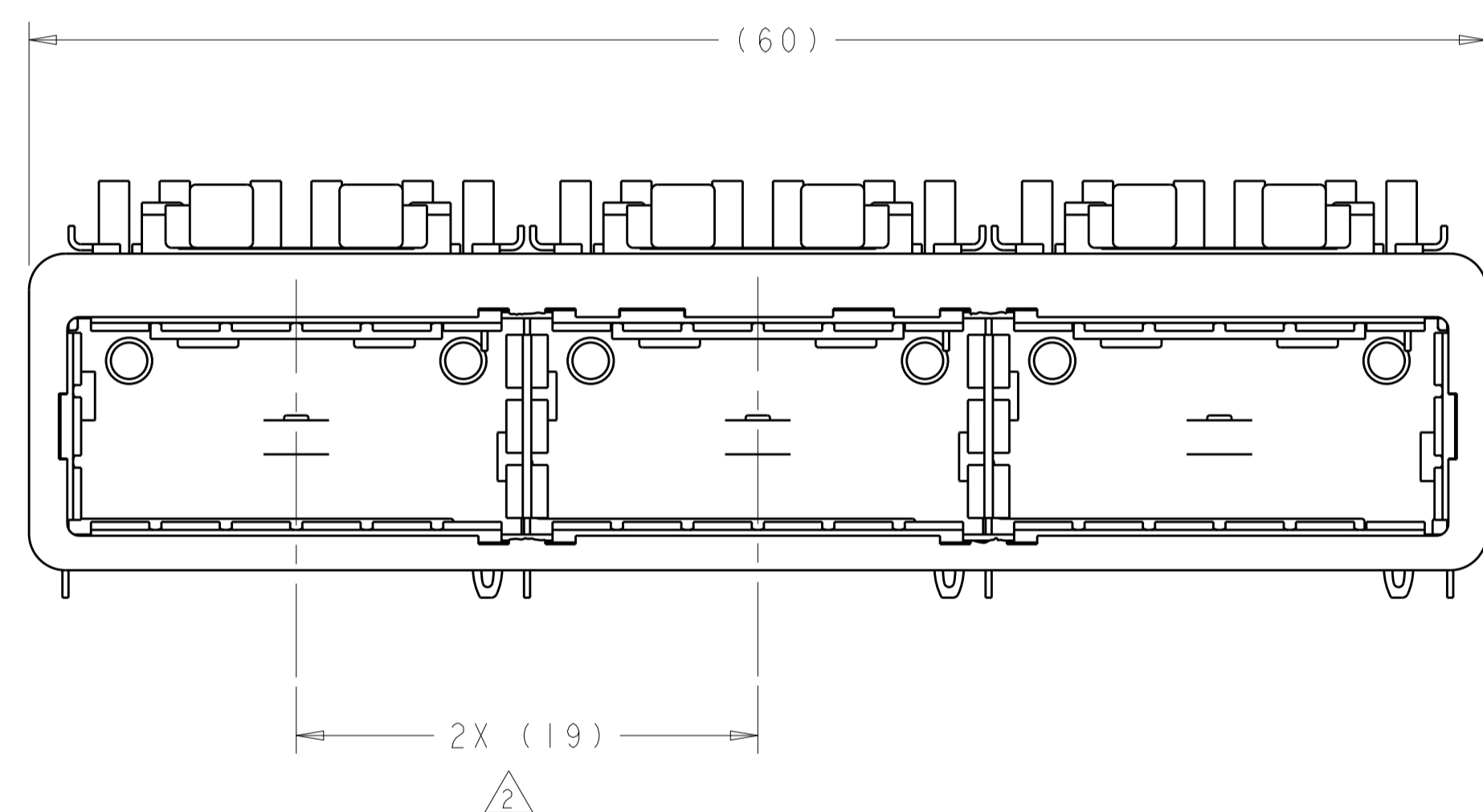
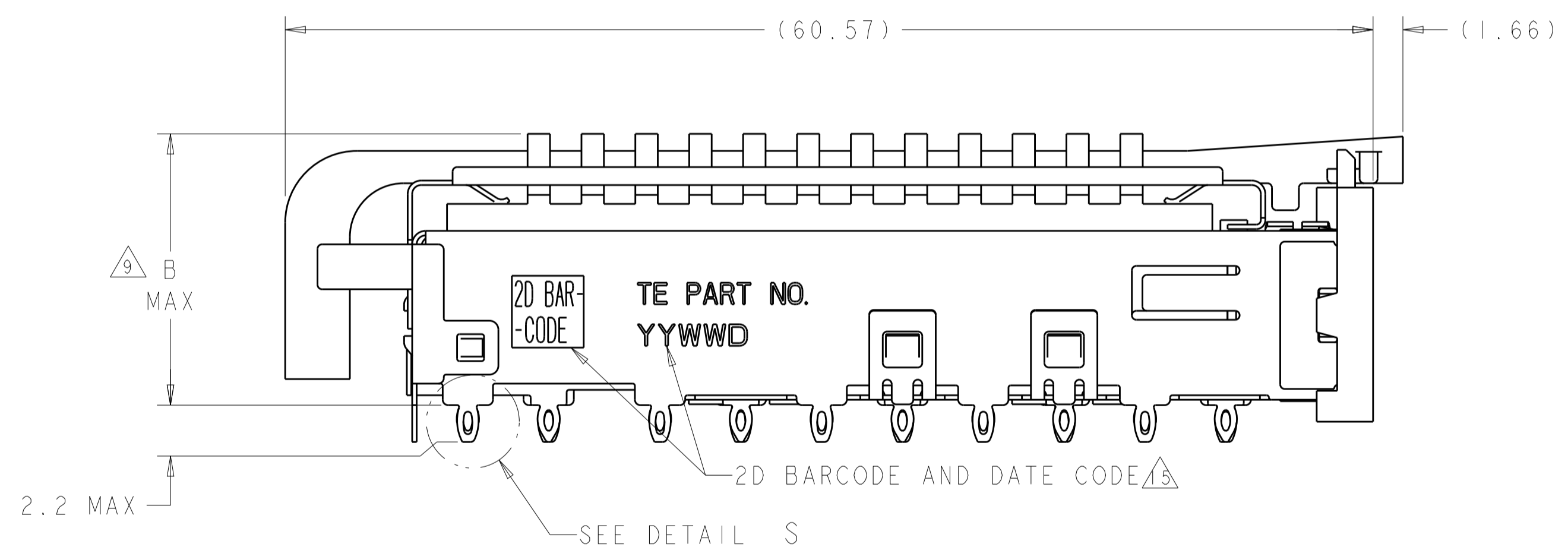
LOC	DIST	REVISIONS				
GP	00	REV	DESCRIPTION	DATE	DMN	APVD
		D	REVISED PER ECO-10-018054	04NOV2010	CJV	EJB
		E	REVISED PER ECO-12-005533	05APR2012	JY	AC
		F	REVISED PER ECO-14-016878	03DEC2014	RG	MC



DETAIL S  
 SCALE 20:1

- 1 MATERIALS:  
 CAGE ASSEMBLY: NICKEL SILVER, 0.25 THICK  
 HEAT SINK: ALUMINUM  
 HEAT SINK CLIP: STAINLESS STEEL  
 EMI SPRING: COPPER ALLOY  
 FRONT FLANGE: ZINC ALLOY  
 LIGHT PIPE: CLEAR POLYCARBONATE
- 2 PITCH BETWEEN PORTS OF ONE 1X3 CAGE ASSEMBLY.
- 3 SPACING BETWEEN CAGES ON THE SAME PC BOARD, TO BE SPECIFIED BY CUSTOMER, MUST COMPLY WITH MINIMUM DIMENSIONS SHOWN.
- 4 REFERENCE APPLICATION SPEC 114-13218 FOR RECOMMENDED DRILL HOLE DIAMETER AND PLATING THICKNESS.
- 5 DATUMS AND BASIC DIMENSIONS ESTABLISHED BY CUSTOMER.
- 6 DIMENSION C IS THE NOMINAL THICKNESS OF CUSTOMER SUPPLIED PC BOARD.  
 SINGLE SIDED PC BOARD MIN THICKNESS = 1.45mm  
 DOUBLE SIDED PC BOARD MIN THICKNESS = 2.2mm.
- 7 HEAT SINKS, LIGHT PIPES, AND CLIP SHIPPED ASSEMBLED TO CAGE ASSEMBLY. CAGE ASSEMBLY MAY BE PRESSED INTO THE PCB AS SHIPPED.
- 8 DATUM -A- IS TOP SURFACE OF PC BOARD.

- 9 DIMENSION APPLIES WITH MODULE INSERTED IN CAGE.
- 10 UNPLATED THRU HOLE.
- 11 MAXIMUM HEIGHT OF LED OFF BOARD: 0.9mm.
- 12. MATES WITH QSFP MSA COMPATIBLE TRANSCEIVER.
- 13 SURFACE TRACES PERMITTED WITHIN THIS AREA EXCEPT WHERE CAGE STANDOFFS, SHOWN IN DETAIL S, CONTACT PC BOARD.
- 14 BASELINE FOR THESE DIMENSIONS IS THE CENTER OF COMPLIANT PIN HOLE.
- 15 2D BARCODE AND DATE CODE (YYWWD) MARKED ON SIDE OF CAGE.
- 16 REFERENCE APP SPEC 114-13218 FOR GASKET THICKNESS CALCULATION.
- 17 FINISH:  
 EMI SPRING: 2µm MINIMUM TIN  
 FRONT FLANGE: 3µm MINIMUM TIN OVER 1.27µm MINIMUM NICKEL OVER 5.08µm MINIMUM COPPER  
 HEATSINK: NICKEL
- 18 HEAT SINKS AND CLIPS SHIPPED ASSEMBLED TO CAGE ASSEMBLY. CAGE ASSEMBLY MAY BE PRESSED INTO THE PCB AS SHIPPED. LIGHT PIPES, SHIPPED UNATTACHED, MUST BE ASSEMBLED BY CUSTOMER AFTER THE CAGE IS SEATED IN THE PCB.



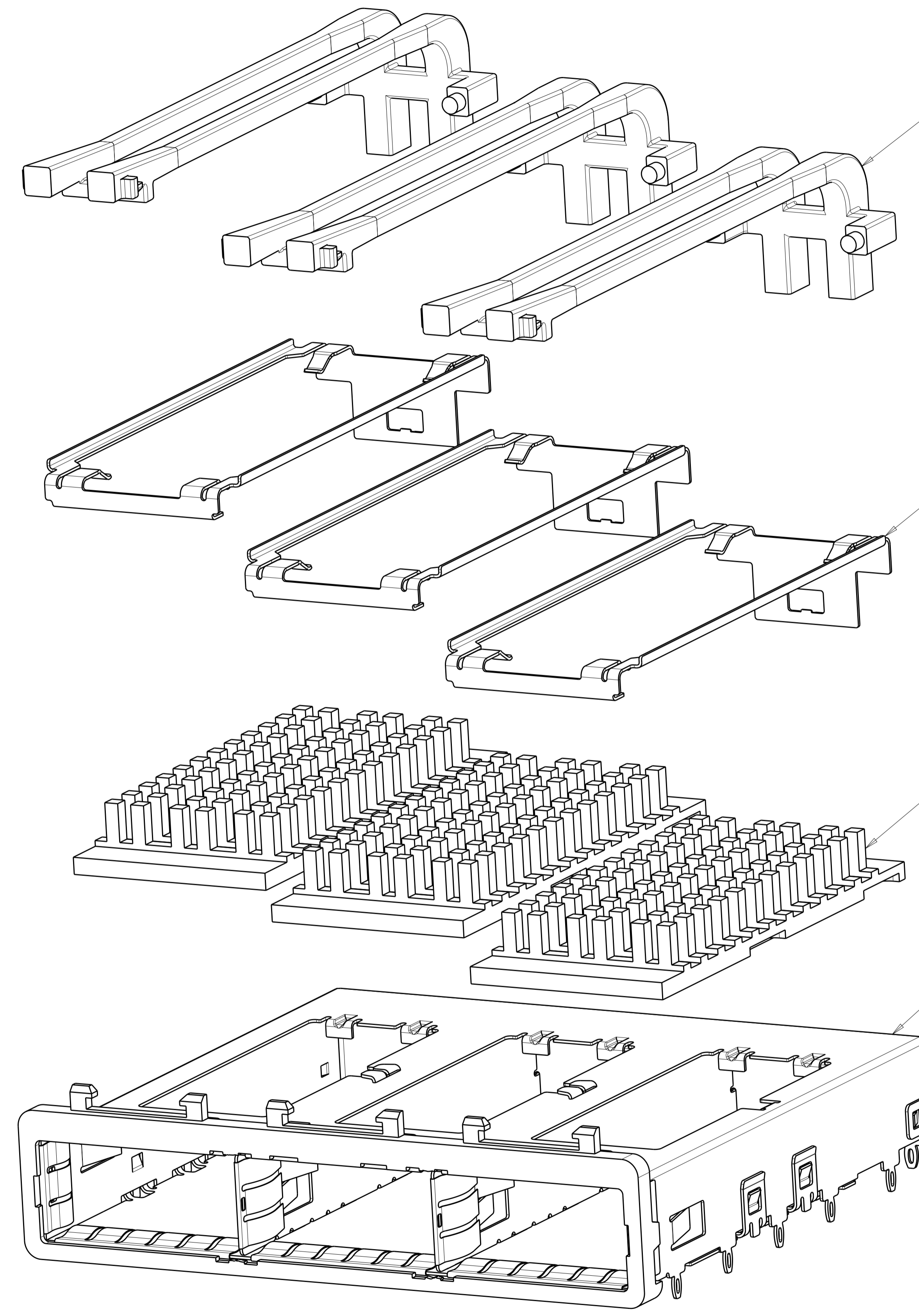
23.0	NETWORKING	2110412-3
16.0	SAN	2110412-2
13.7	PCI	2110412-1
B	HEAT SINK PROFILE	PART NUMBER

THIS DRAWING IS A CONTROLLED DOCUMENT.

DIMENSIONS:	TOLERANCES UNLESS OTHERWISE SPECIFIED:	DMN: C. VALENTINE 28FEB2008	CHK: J. PETERSON 28FEB2008	APVD: J. PETERSON 28FEB2008
mm	0 PLC ±0.1 1 PLC ±0.1 2 PLC ±0.1 3 PLC ±0.1 4 PLC ±0.1 ANGLES ±0.1	PRODUCT SPEC: 108-2286	APPLICATION SPEC: 114-13218	WEIGHT: -
MATERIAL:	FINISH:	NAME: 1X3 CAGE ASSEMBLY, BEHIND BEZEL, W/ SQUARE LIGHT PIPES AND HEAT SINKS QSFP SIZE: CAGE CODE DRAWING NO: A100779C=2110412 RESTRICTED TO: - CUSTOMER DRAWING SCALE: 4:1 SHEET 1 OF 5 REV F		

STE TE Connectivity

LOC	DIST	REVISIONS					
GP	00	P	LYR	DESCRIPTION	DATE	DMN	APVD
		-		SEE SHEET 1	-	-	-



SQUARE DOUBLE LIGHT PIPES  $\triangle$   $\triangle$   
 QUANTITY: 3

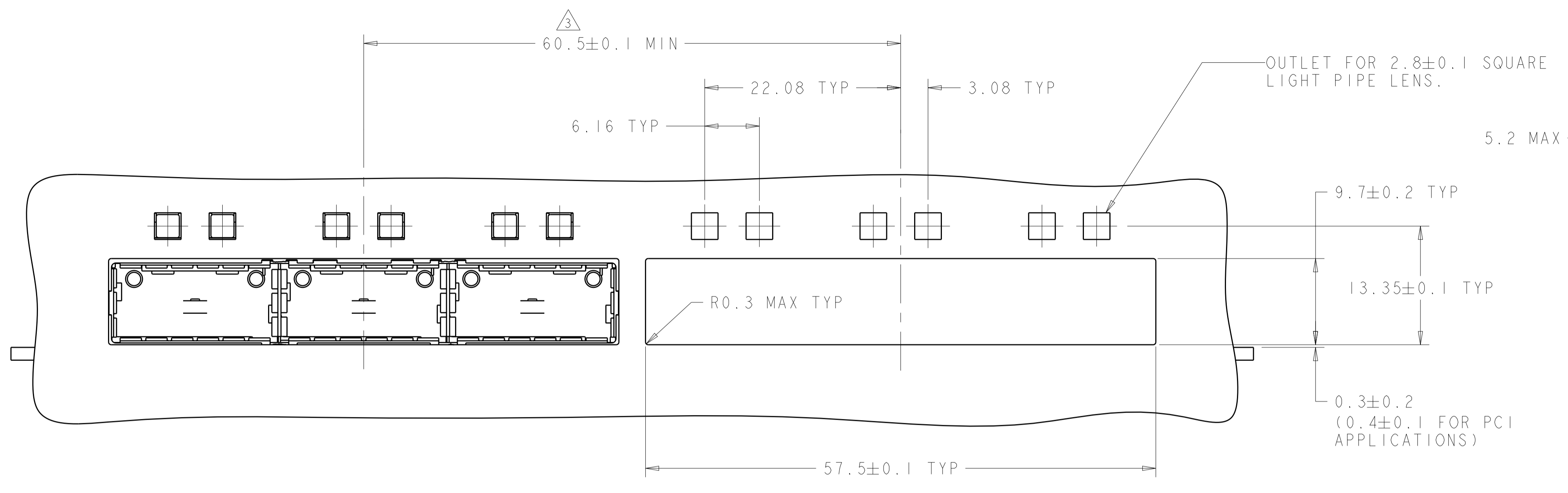
HEAT SINK CLIPS  $\triangle$   $\triangle$   
 QUANTITY: 3

72 PIN HEAT SINKS  $\triangle$   $\triangle$   
 QUANTITY: 3

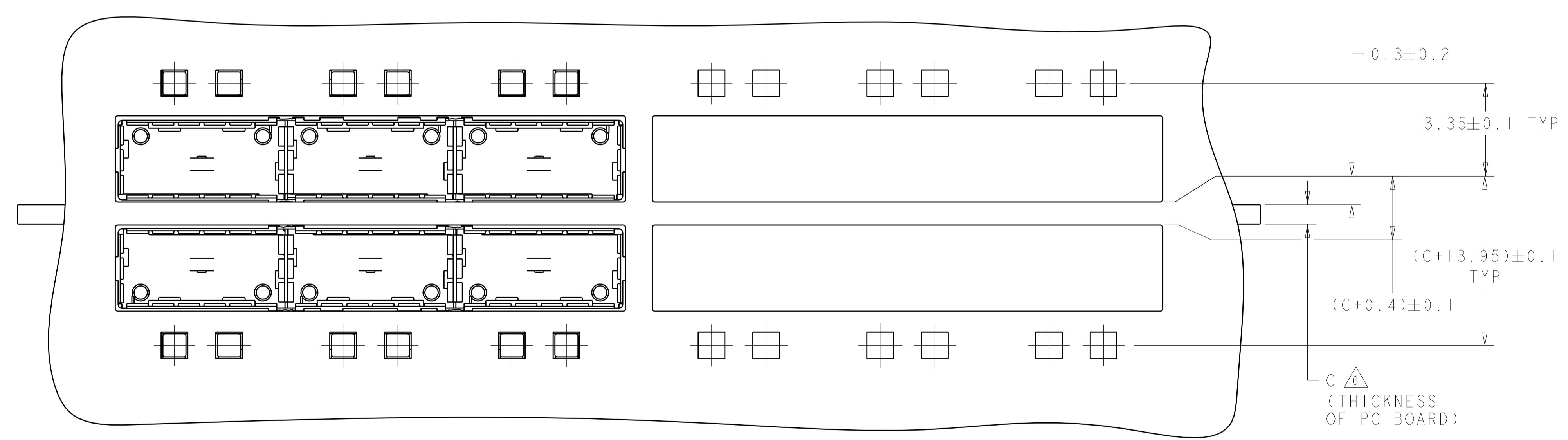
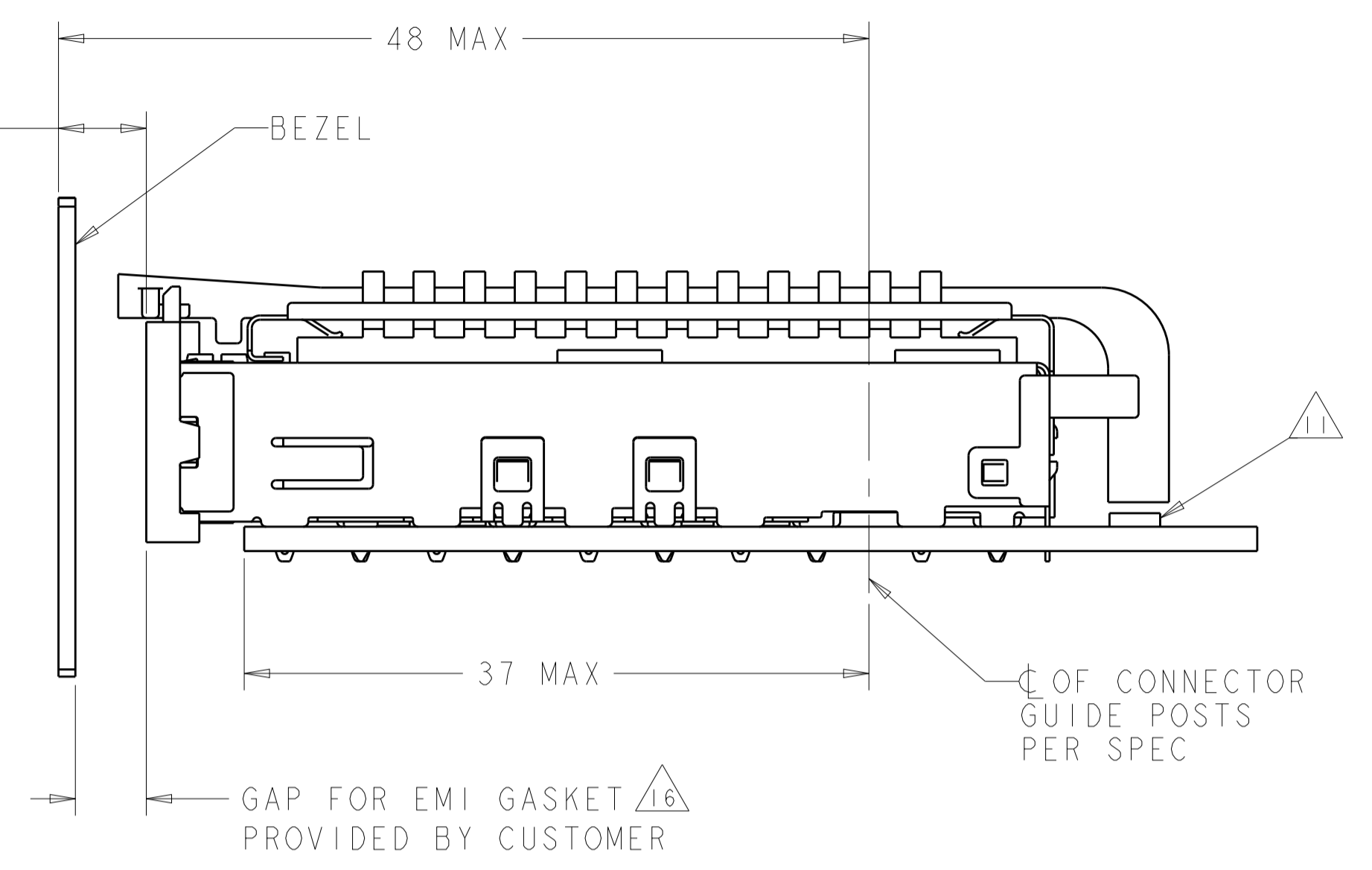
1X3 BEHIND BEZEL QSFP  
 CAGE ASSEMBLY  
 QUANTITY: 1

THIS DRAWING IS A CONTROLLED DOCUMENT.		DMN C. VALENTINE 28FEB2008	TE Connectivity	
DIMENSIONS: mm		CHK J. PETERSON 28FEB2008		
		APVD J. PETERSON 28FEB2008	NAME 1X3 CAGE ASSEMBLY, BEHIND BEZEL, W/ SQUARE LIGHT PIPES AND HEAT SINKS QSFP	
TOLERANCES UNLESS OTHERWISE SPECIFIED:		PRODUCT SPEC	RESTRICTED TO	
0 PLC ±		108-2286	SIZE CAGE CODE DRAWING NO	
1 PLC ±0.1		APPLICATION SPEC	A100779C=2110412	
2 PLC ±		114-13218	SCALE 4:1 SHEET 2 OF 5 REV F	
3 PLC ±		WEIGHT		
4 PLC ±		CUSTOMER DRAWING		
ANGLES ±				
FINISH				

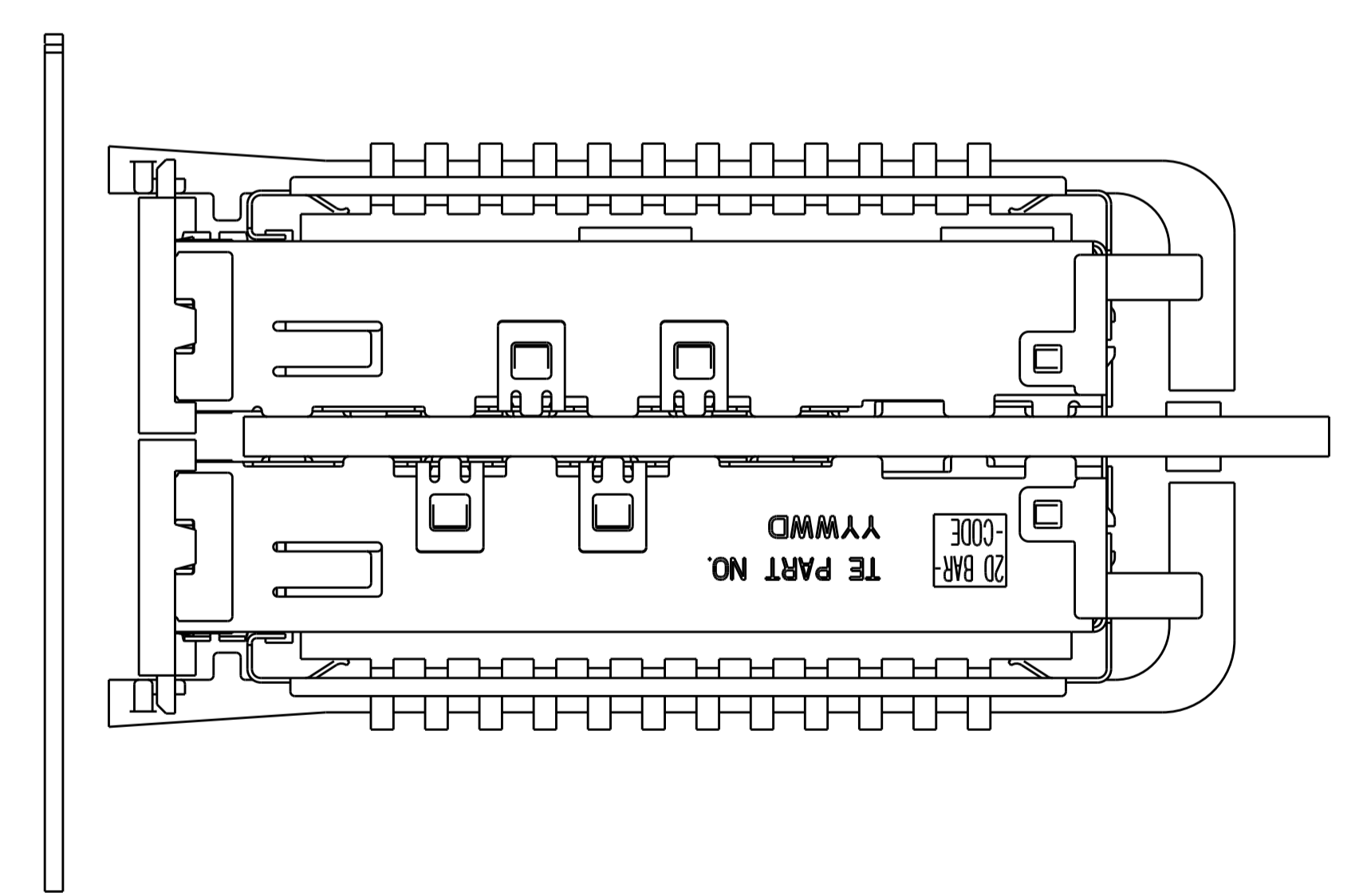
LOC		DIST		REVISIONS			
GP	00	P	LTN	DESCRIPTION	DATE	DMN	APVD
-	-	-	-	SEE SHEET 1	-	-	-



ONE SIDED CONFIGURATION  
SCALE 3:1

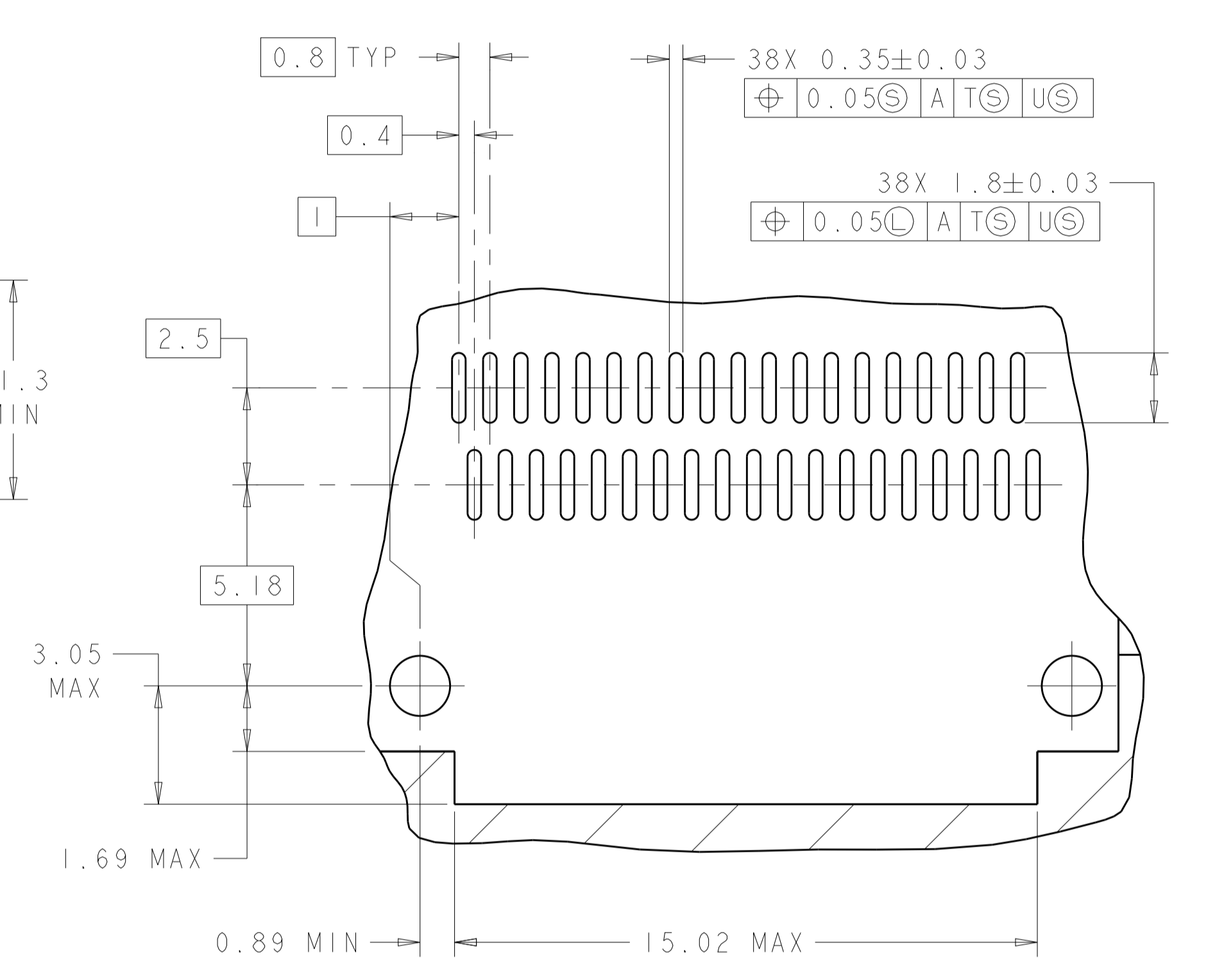
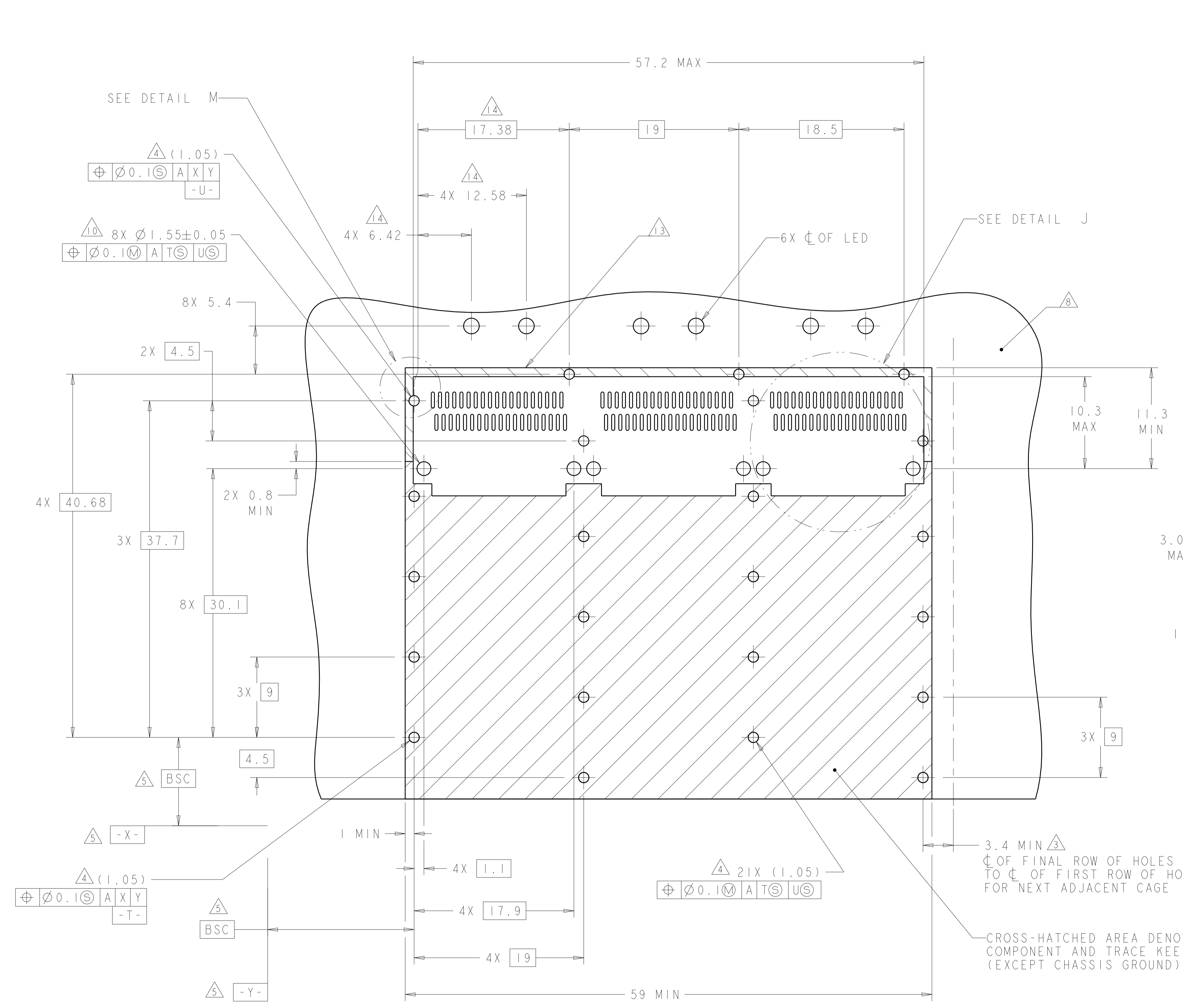


BELLY TO BELLY CONFIGURATION  
SIMILAR TO ONE SIDED  
EXCEPT WHERE NOTED  
SCALE 3:1



THIS DRAWING IS A CONTROLLED DOCUMENT.		DMN C. VALENTINE 28FEB2008	
DIMENSIONS:		CHK J. PETERSON 28FEB2008	
mm	TOLERANCES UNLESS OTHERWISE SPECIFIED:	APVD J. PETERSON 28FEB2008	NAME 1X3 CAGE ASSEMBLY, BEHIND BEZEL, W/ SQUARE LIGHT PIPES AND HEAT SINKS, QSFP
	0 PLC ± 1 PLC ±0.1 2 PLC ±0.1 3 PLC ± 4 PLC ± ANGLES ±	PRODUCT SPEC 108-2286	SIZE A100779C=2110412
MATERIAL	FINISH	APPLICATION SPEC 114-13218	RESTRICTED TO
		WEIGHT	CUSTOMER DRAWING
		SCALE 4:1	SHEET 3 OF 5 REV F

LOC	DIST	REVISIONS					
GP	00	P	LTN	DESCRIPTION	DATE	DMN	APVD
		-		SEE SHEET 1			



RECOMMENDED PC BOARD LAYOUT  
 SINGLE SIDE MOUNT CONFIGURATION  
 SCALE 4:1

3.4 MIN  $\Delta$ 3  
 $\phi$  OF FINAL ROW OF HOLES  
 TO  $\phi$  OF FIRST ROW OF HOLES  
 FOR NEXT ADJACENT CAGE

CROSS-HATCHED AREA DENOTES  
 COMPONENT AND TRACE KEEP-OUT  
 (EXCEPT CHASSIS GROUND)

THIS DRAWING IS A CONTROLLED DOCUMENT.		DMN C. VALENTINE 28FEB2008	TE Connectivity												
DIMENSIONS: mm		CHK J. PETERSON 28FEB2008													
TOLERANCES UNLESS OTHERWISE SPECIFIED:		APVD J. PETERSON 28FEB2008	NAME 1X3 CAGE ASSEMBLY, BEHIND BEZEL, W/ SQUARE LIGHT PIPES AND HEAT SINKS QSFP												
<table border="1"> <tr> <td>0 PLC</td> <td>±</td> </tr> <tr> <td>1 PLC</td> <td>±0.1</td> </tr> <tr> <td>2 PLC</td> <td>±0.1</td> </tr> <tr> <td>3 PLC</td> <td>±</td> </tr> <tr> <td>4 PLC</td> <td>±</td> </tr> <tr> <td>ANGLES</td> <td>±</td> </tr> </table>		0 PLC	±	1 PLC	±0.1	2 PLC	±0.1	3 PLC	±	4 PLC	±	ANGLES	±	PRODUCT SPEC 108-2286	SIZE A100779
0 PLC	±														
1 PLC	±0.1														
2 PLC	±0.1														
3 PLC	±														
4 PLC	±														
ANGLES	±														
MATERIAL		APPLICATION SPEC 114-13218	DRAWING NO C=2110412												
FINISH		WEIGHT	RESTRICTED TO												
CUSTOMER DRAWING		SCALE 4:1	SHEET 4 OF 5 REV F												