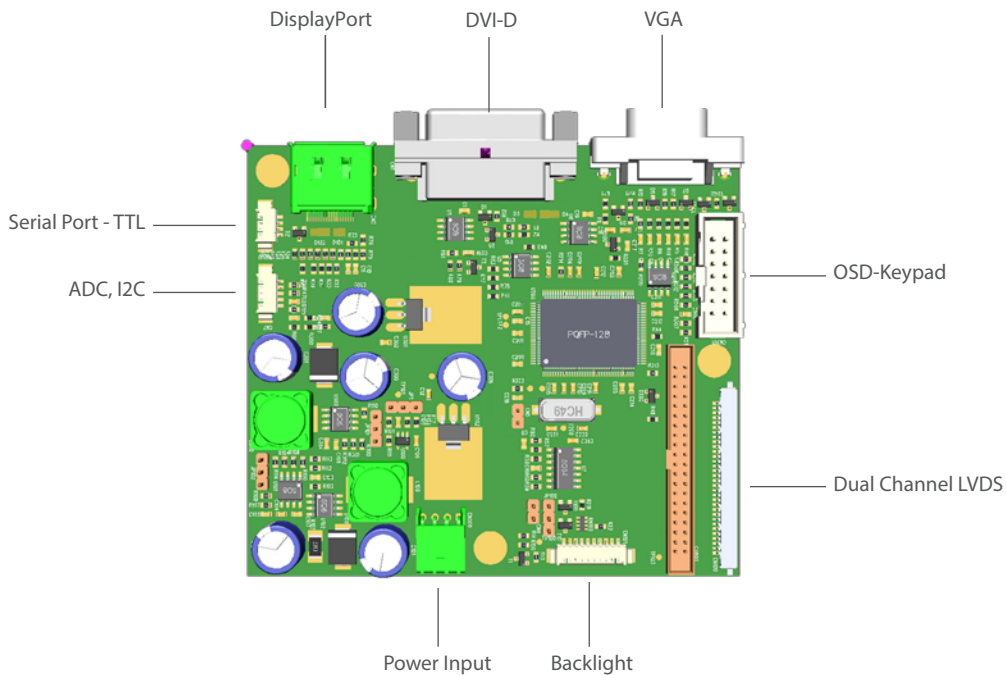


Full-HD-Flatpanel-Controller

CRTtoLCD-62

- DVI-D, VGA (Analog-RGB) and DisplayPort (DP) inputs up to WUXGA
- Display resolution up to WUXGA (1920x1200)
- Highest picture quality due to improved scaling algorithms
- Powerful software tools including Panel-Editor, **Serial-OSD** and Serial-API
- Scripting **language** support
- Enhanced input protection for harsh environments

Full-HD-Flatpanel-Controller CRTtoLCD-62



Description

The CRTtoLCD-62 is a highly integrated Full-HD-Flatpanel-Controller that allows connection of standard Analog RGB (**VGA**), **DVI-D** and DisplayPort sources to TFT-LCD flatpanels.

It includes all the necessary functionality to design a full featured LCD monitor.

From a single +12V DC power supply, the CRTtoLCD-62 generates all required supply voltages and power sequencing. LED or CCFL backlight dimming is supported and can be controlled by PWM or absolute voltage level.

Typical Verticals

Point of Sales (POS):	Check-in terminals
Point of Information (POI):	Public displays
Industrial Automation & Medical:	Panel-PCs, Industrial monitors
Test & Measurement:	Smart displays
Transportation:	Rugged displays
Gaming Machines:	Casino slot machines, Lottery systems, Open frame monitors