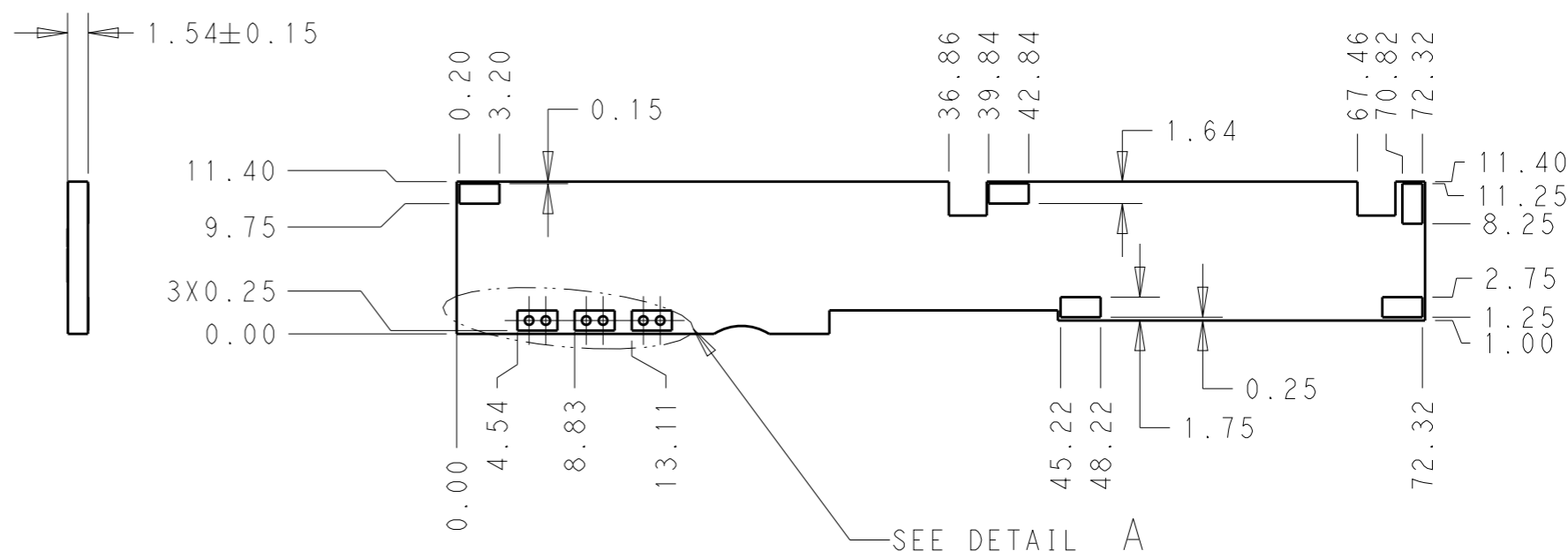
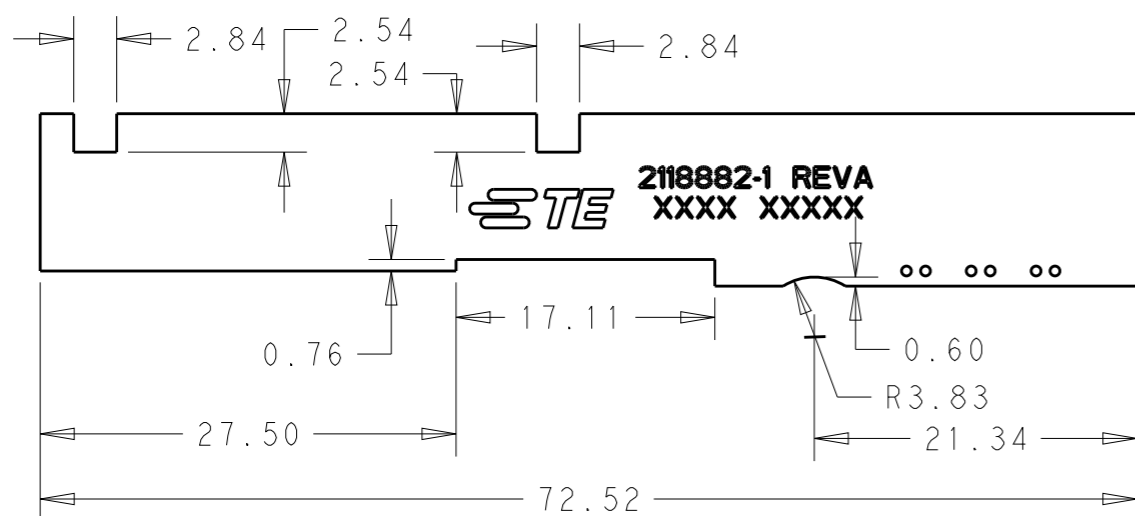


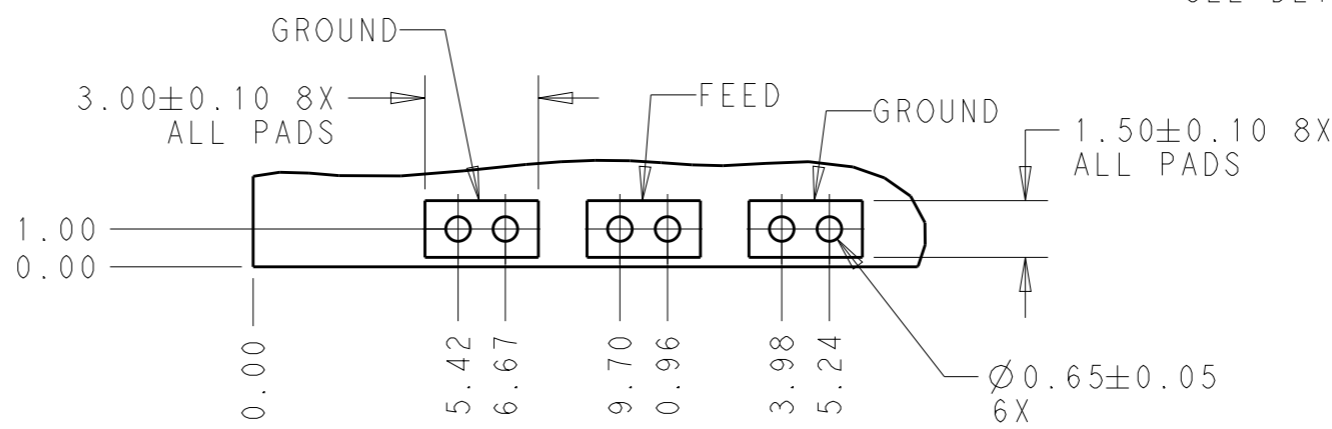
REVISIONS

P	LTR	DESCRIPTION	DATE	DWN	APVD
	4	INITIAL RELEASE	10JUL2018	CR	JLM
	A	PRODUCTION RELEASE	25SEP2018	CR	JLM
	A2	ADD PACKAGE DRAWING	15MAY2020	DC	AC



NOTES: UNLESS OTHERWISE SPECIFIED.

- FABRICATE TO MEET IPC - 6012, CLASS 2. INSPECT TO MEET IPC - A - 600, CLASS 2.
- PRIMARY SIDE AND SECONDARY SIDE SHOWN.
- MATERIAL: FR4; COPPER BOTH SIDES. DIELECTRIC CONSTANT @ 1MHZ 4.2±0.1.
- FINISH:
 - A: SOLDERMASK OVER BARE COPPER (SMOBC).
 - B: MASK BOTH SIDES OF PCB WITH LPI SOLDERMASK. SOLDERMASK COLOR:ORANGE.
 - C: SMT PADS E.N.I.G PLATED
- PACKAGING: PARTS TO BE SECURELY VACUUM PACKAGED IN BULK.
- PRODUCT AND PROCESSING MEET REQUIREMENTS OF TE CONNECTIVITY ENVIRONMENTAL STANDARD TEC-138-702. LOW HALOGEN: CODE2:LOW Br/Cl PER TEC-138-702
- SILKSCREEN; WHITE EPOXY INK
 - A. TE LOGO, TE P/N
 - B. WORD REV., FOLLOWED BY THE LATEST REVISION LETTER, AS SHOWN.
 - C. 4 DIGIT DATE CODE. FIRST 2 DIGITS FOR THE WEEK CODE AND THE 2ND TWO DIGITS FOR THE YEAR CODE. SPECIFIC TE VENDOR CODE NUMBER DIGITS AS REQUIRED.
- ANTENNA FREQUENCIES: 698-894 MHz; 1710-2155MHz



DETAIL A
SCALE 5:1

THIS DRAWING IS A CONTROLLED DOCUMENT.		DWN C. REGUS 06APR2018	TE Connectivity	
DIMENSIONS: mm		CHK C. REGUS 06APR2018		
TOLERANCES UNLESS OTHERWISE SPECIFIED:		APVD J. MOORE 06APR2018	NAME SCW LTE MAIN ANTENNA	
0 PLC ±- 1 PLC ±0.5 2 PLC ±0.25 3 PLC ±0.013 4 PLC ±0.0001 ANGLES ±-		PRODUCT SPEC -	SIZE A3	
MATERIAL		APPLICATION SPEC -	CAGE CODE 00779	RESTRICTED TO -
FINISH		WEIGHT -	DRAWING NO C-2118882	
CUSTOMER DRAWING			SCALE 2:1	SHEET 1 OF 2
			REV A2	

THIS DRAWING IS UNPUBLISHED.

RELEASED FOR PUBLICATION

20

© COPYRIGHT 20

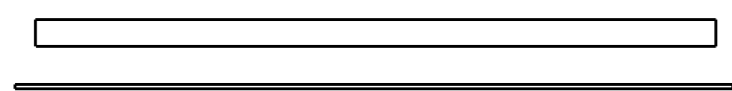
ALL RIGHTS RESERVED.

REVISIONS

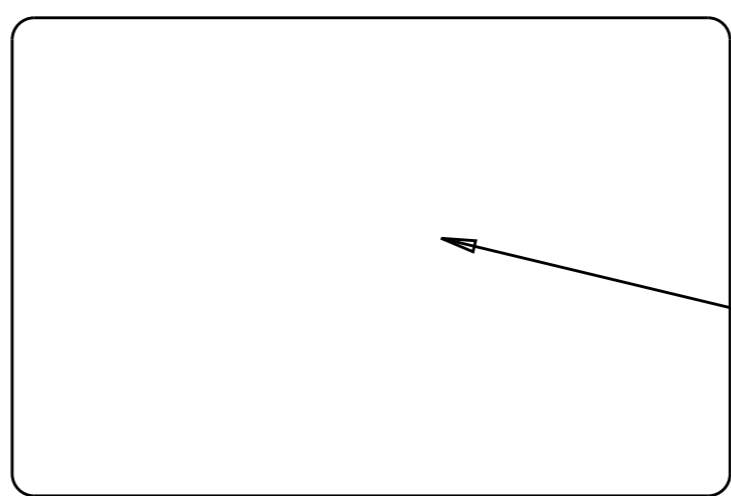
P	LTR	DESCRIPTION	DATE	DWN	APVD
-		SEE SHEET 1	-	-	-



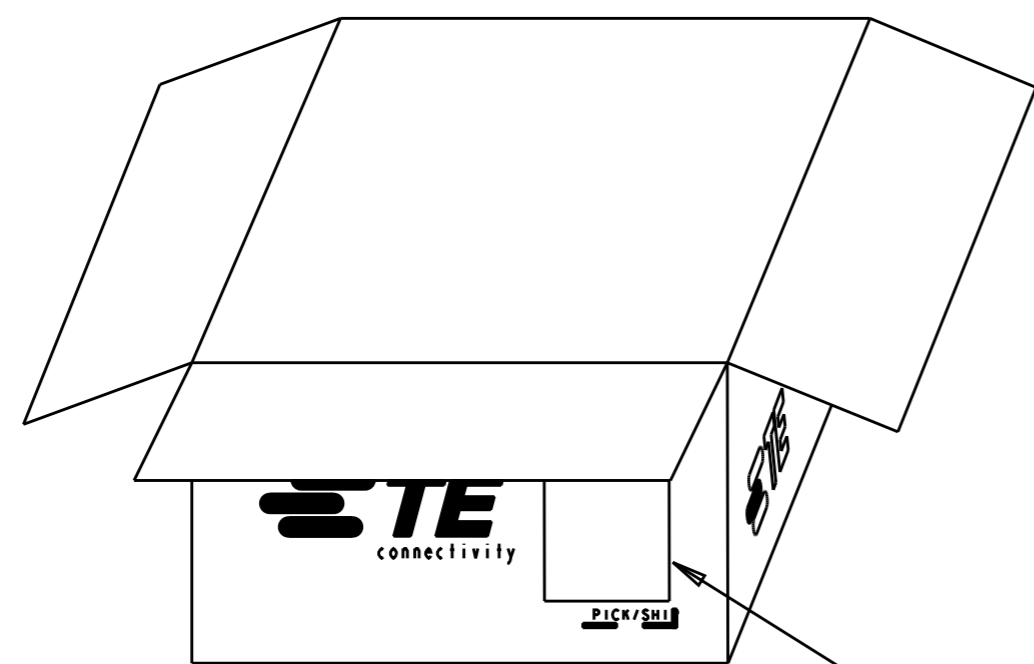
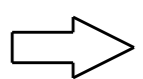
0000 0000 0000



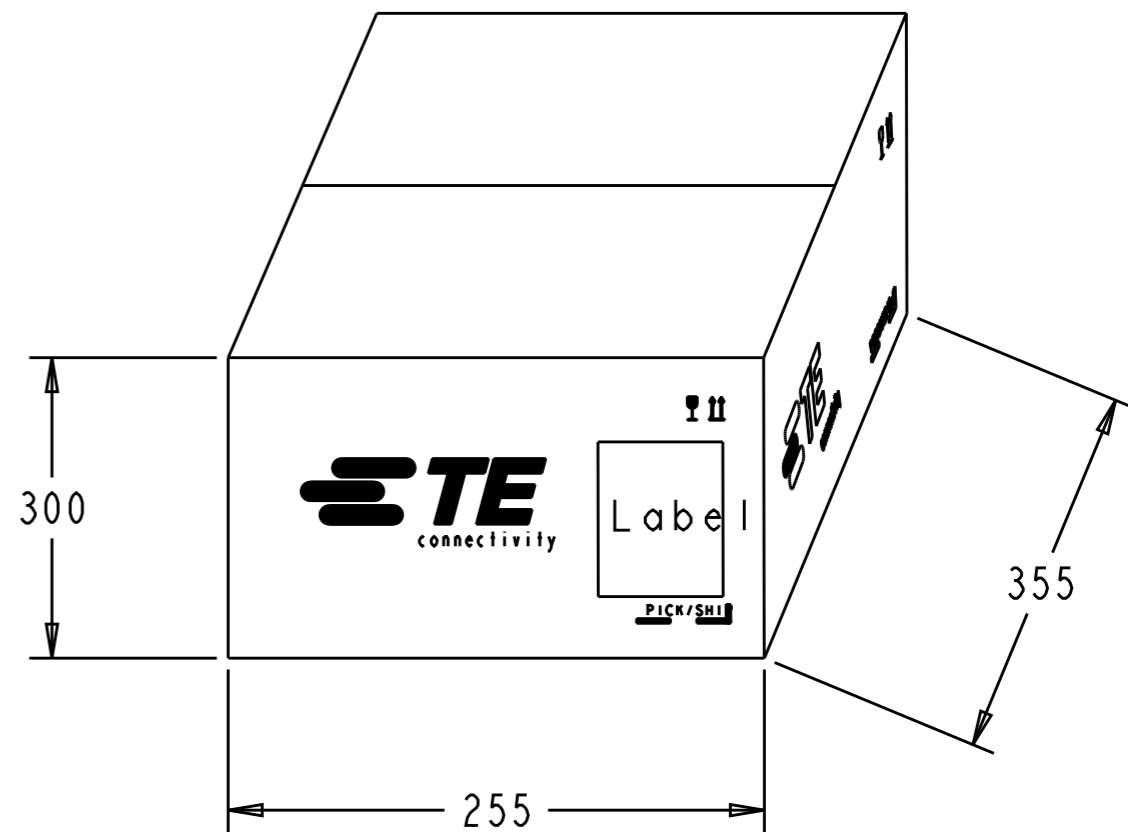
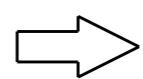
25 bags



200 PCS/bag



5k PCS/Carton



outside box Label

THIS DRAWING IS A CONTROLLED DOCUMENT.

DIMENSIONS:	
mm	

TOLERANCES UNLESS OTHERWISE SPECIFIED:	
0 PLC	±
1 PLC	±0.5
2 PLC	±0.25
3 PLC	±0.013
4 PLC	±0.0001
ANGLES	±

MATERIAL

FINISH

DWN	C. REGUS	06APR2018
CHK	C. REGUS	06APR2018
APVD	J. MOORE	06APR2018

PRODUCT SPEC	-
APPLICATION SPEC	-
WEIGHT	-
CUSTOMER DRAWING	

		TE Connectivity	
		NAME SCW LTE MAIN ANTENNA	
SIZE	CAGE CODE	DRAWING NO	RESTRICTED TO
A3	00779	C-2118882	-
SCALE		SHEET	REV
2:1		2 OF 2	A2