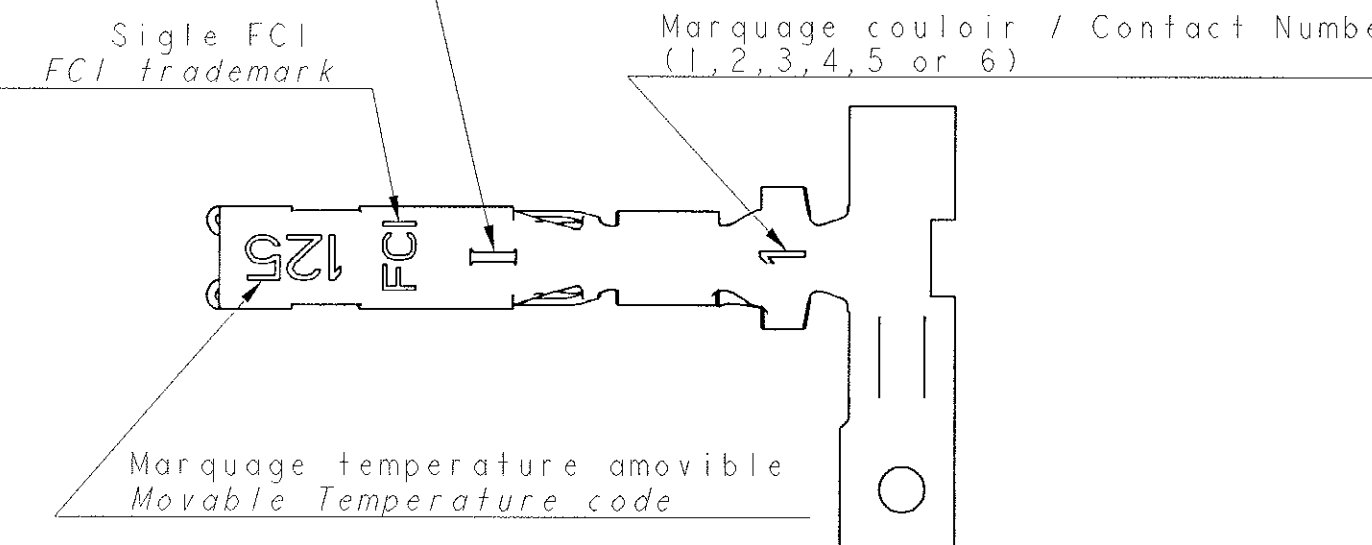
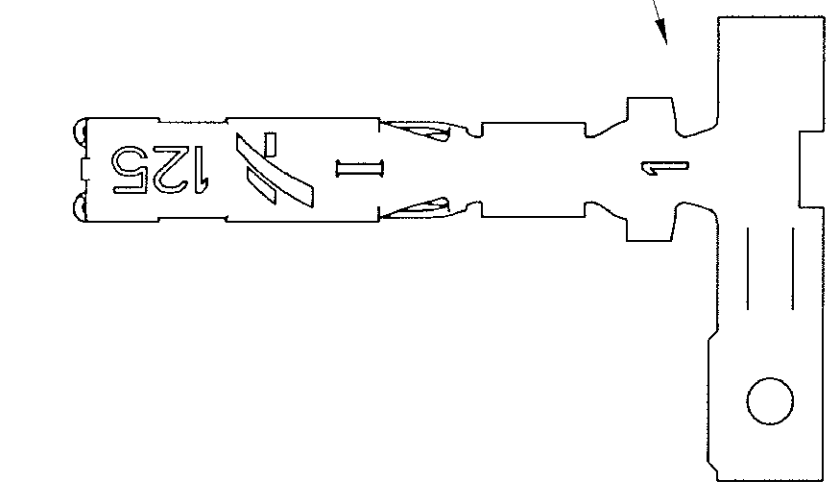


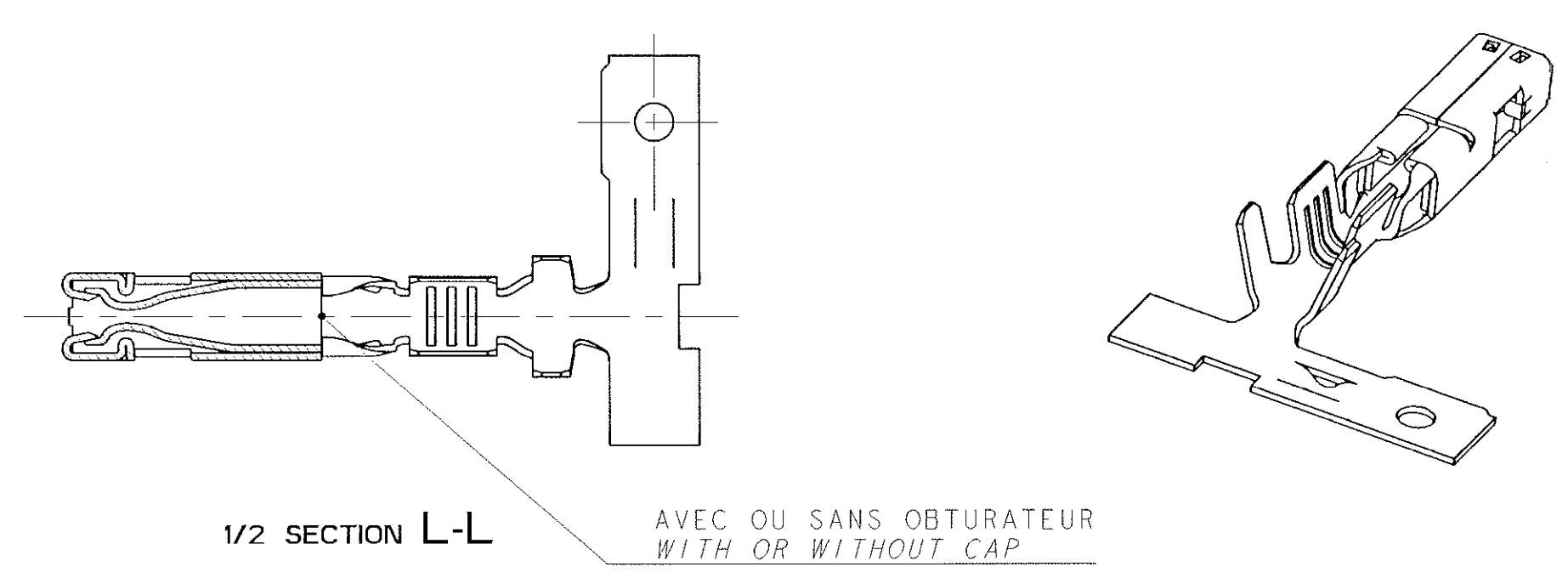
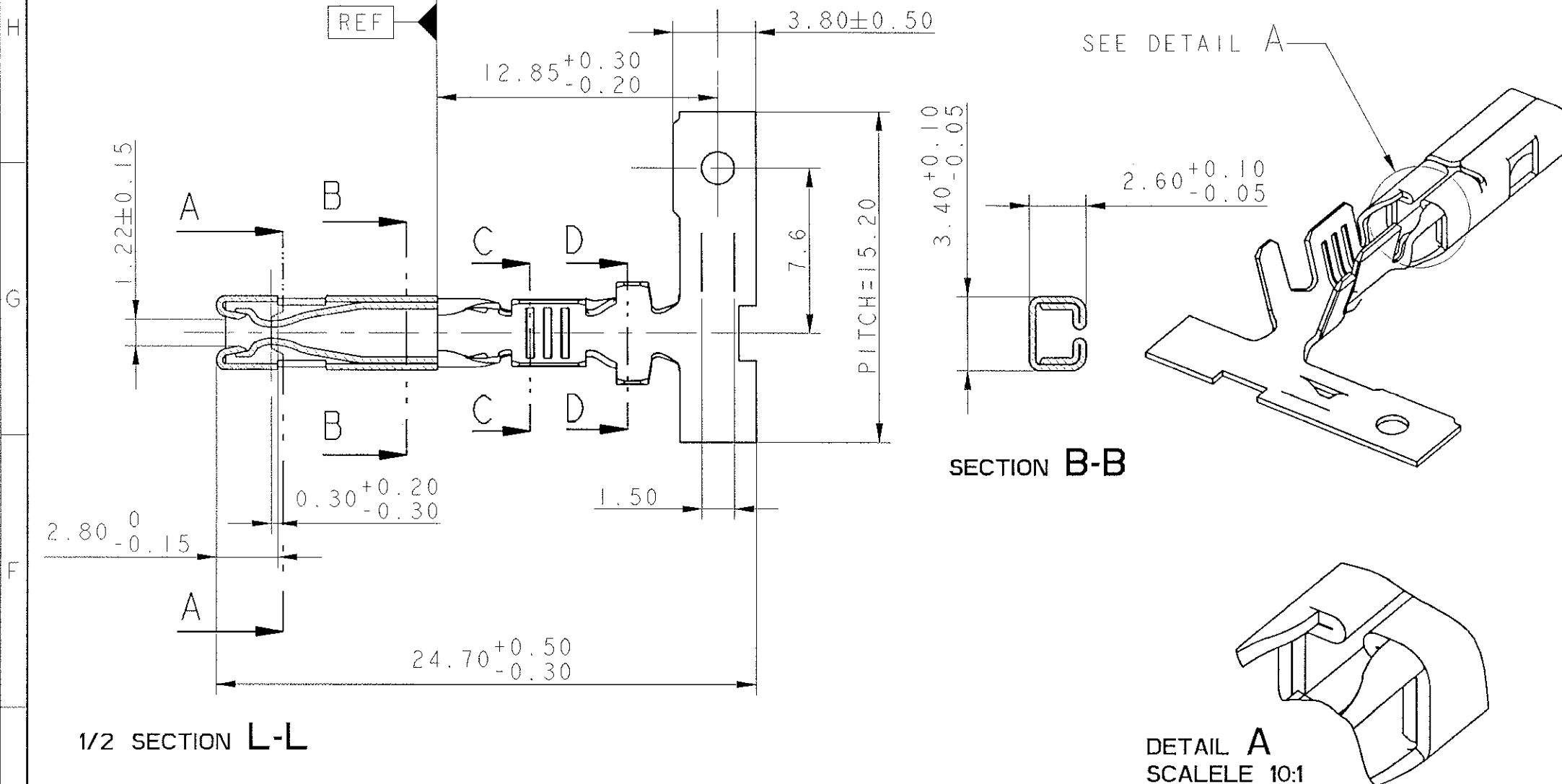
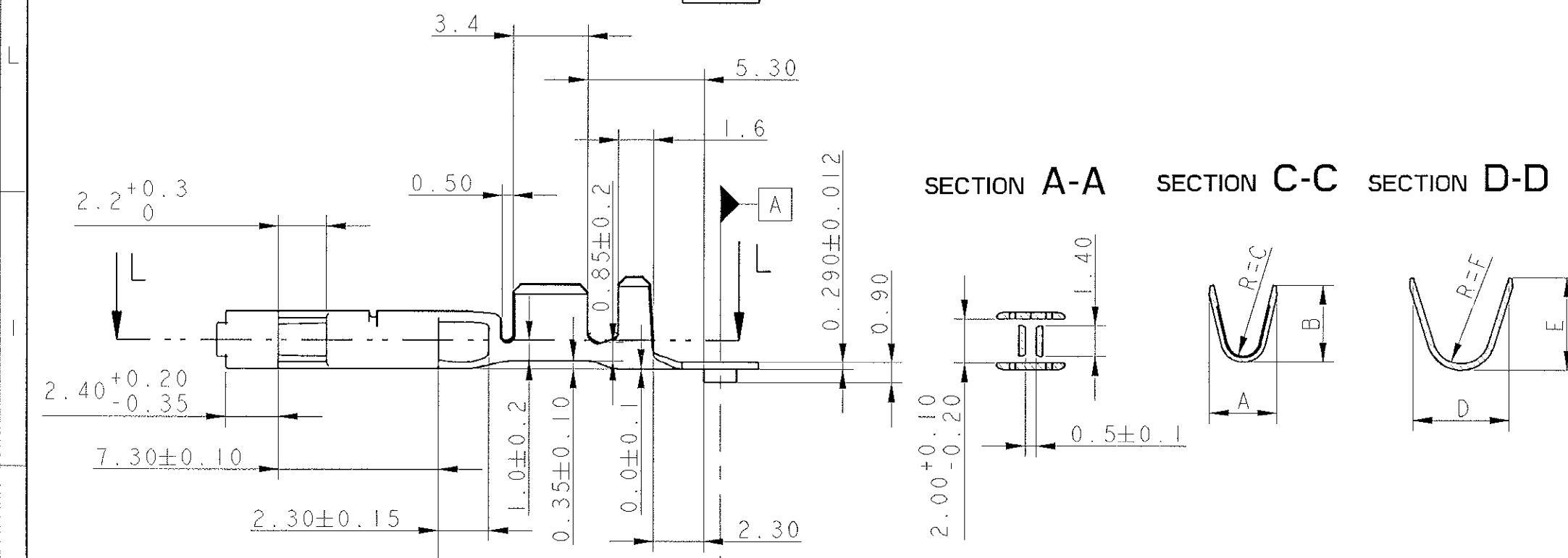
Repère amovible / Movable country code
 I= Italie / Italy
 sans / Without=France / French



FORME ACCEPTEE / ACCEPTED FORM



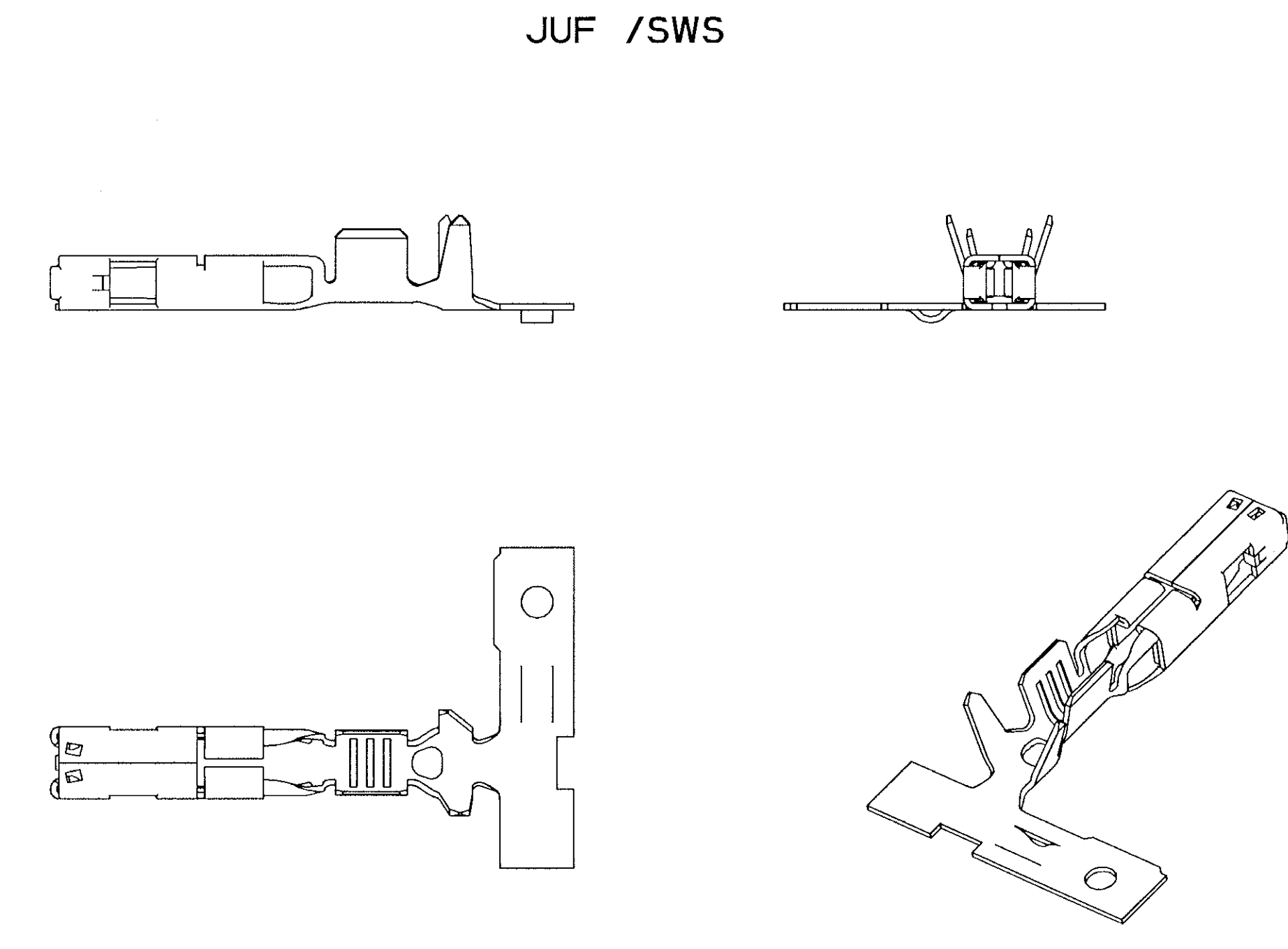
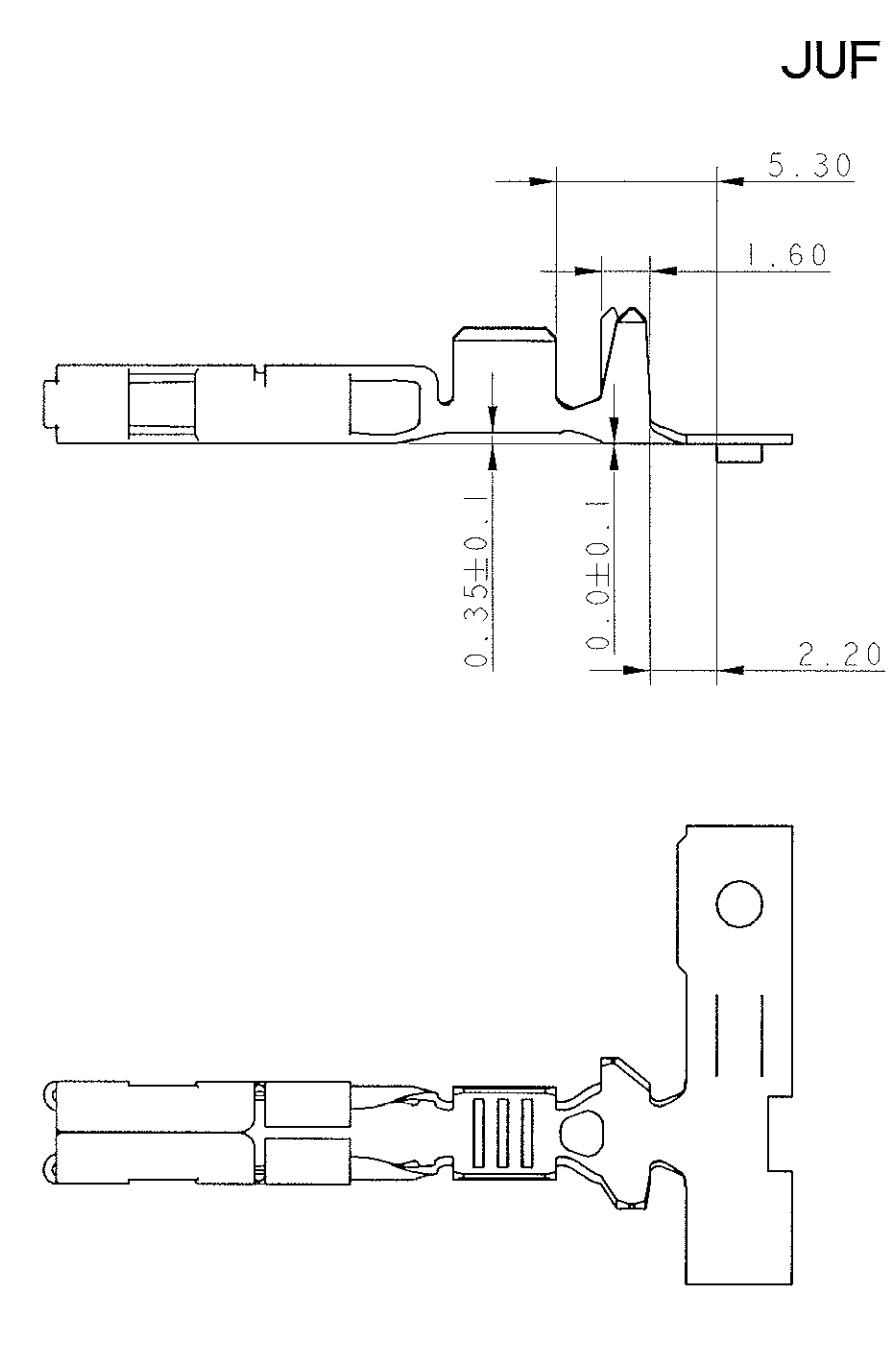
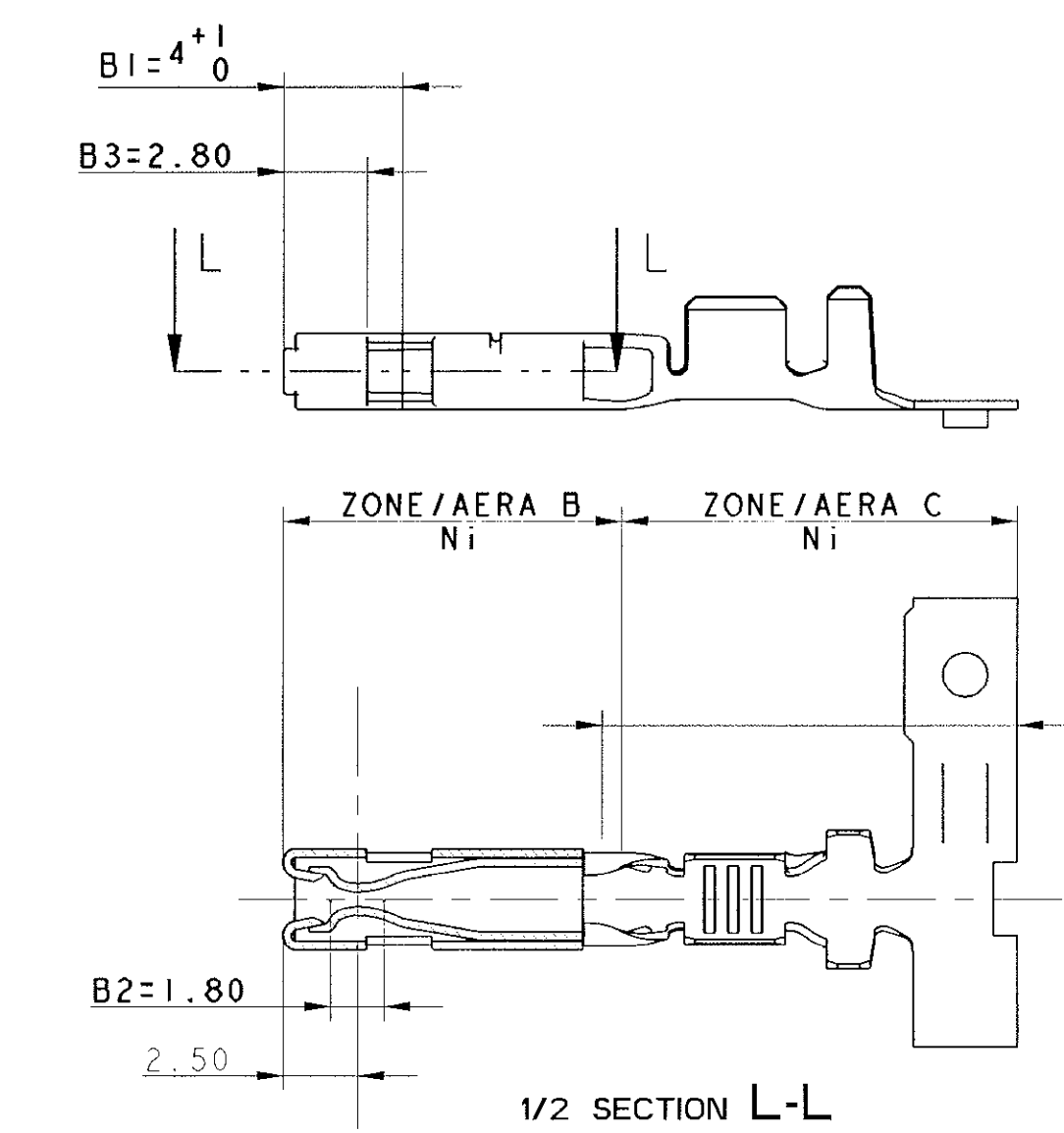
Etat / State	Références								Material	Classe
	JUF / SWS	JUF / SWS	JUF / SWS	JUF / SWS	JUF / SWS	JUF / SWS	JUF / SWS	JUF / SWS		
Pré-étamé / Pre-tinned Sn 1 to 3µ	211 CC 2 S 0150		211 CC 2 S 1150		211 CC 2 S 4150		211 CC 2 S 2150		Cu Zn 15	85/105*
Pré-étamé / Pre-tinned Sn 1 to 3µ	211 CC 2 S 0160	211 CC 2 S 0161	211 CC 2 S 1160	211 CC 2 S 1161	211 CC 2 S 4160	211 CC 2 S 4161	211 CC 2 S 2160	211 CC 2 S 2161	Cu Fe 2P	125/155*
Post-doré / Post-gilded 0.2µ int/ext	211 CC 2 S 0260		211 CC 2 S 1260	211 CC 2 S 1261					Cu Fe 2P	125/155*
Pré-pisté / Pre-tracked 1.27µ int	211 CC 2 S 0460		211 CC 2 S 1460	211 CC 2 S 1461	211 CC 2 S 4460		211 CC 2 S 2460		Cu Fe 2P	125/155*
Pré-pisté / Pre-tracked 0.8µ int-0.4 ext			211 CC 2 S 1560						Cu Fe 2P	125/155*
Section / Gauge	0.22 to 0.35		0.4 to 0.75		0.8 to 1.3		1.35 to 2			
∅ Isolant Insulation	1.2 to 1.35		1.3 to 2.1		1.8 to 2.6		2.1 to 2.7			
A	1.53		2.6		2.75		3.1			
B	1.87		2.2		2.93		3.5			
R=C	0.33		0.75		0.64		0.75			
D	2.87	4.7	4.2	4.7	4.50	5	4.7	5		
E	3.05	4.15	3.3	4.15	4.30	4.5	4.2	4.5		
R=F	0.68	1.35	1.3	1.35	1.12	1.35	1.3	1.35		
Quantité par bobine Quantity per reel	5000	4000	5000	4000	4000	4000	4000	4000		
POIDS DU CARTON BOX WEIGHT	13.4 KG		13.4 KG		13.4 KG		13.4 KG			



PROTECTION OR / GOLD PLATING						
Reference	Area	Ni		Sn/Pb 90/10	Thickness Au	
		B	C		nominal	min
211 CC 2S X 2 60	B1 (INT/EXT)	0.5µMIN 0.1µMAX	0.1µMAX	1µMIN 6µMAX	0.25µ	0.20µ
211 CC 2S X 2 61						
211 CC 2S X 4 60	B2 (INT) Contact point	1µMIN 2µMAX	0.1µMAX	1µMIN 3µMAX	1.52µ	1.27µ
211 CC 2S X 4 61						
211 CC 2S X 5 60	B3 (EXT)				0.98µ	0.8µ
					0.5µ	0.4µ

ZONE ET DIMENSIONS VALABLES POUR TOUTES REFERENCES
 AREA AND DIMENSIONS ARE VALID FOR ALL REFERENCES

INDICE PIECE=INDICE MAJEUR PLAN
 PART REVISION LEVEL=REVISION MAJOR DRAWING



CONNECTIQUE SICMA-3

ARCHIVE LE 24/07/03

A 03 031	28/07/03	E00	ADD 3D MODEL - CHANGE CAD SYSTEM DRAWING ISSUED OF 211 FT 0462 REV. E02 AND PC 211 CC 2S XXXX REV. E00 ADD A NEW FORM - ADD ALL REFERENCES 211 FT 0288 REPLACED BY THE 211 FT 0463	HERNANDEZ	HERNANDEZ
ECR NO. NUMBER FOR	DATE DATE	REV. NO. REVISION	DESCRIPTION DESCRIPTION	APPROVED BY APPROVED BY	APPROVED BY APPROVED BY
PROJ. SPEC. SPEC. PRODUCT	EMBALLAGE PACKAGING SPEC.	APPLIC. SPEC. SPEC. APPLICATION	CHANG. DESCRIPTION MODIFICATION	DR. BY DESIGNED BY	DR. BY DESIGNED BY
TOLERANCES TOLERANCES	COLOR COULEUR	FINISH FINITION	MATERIAL MATERIE	STATE OF SURFACE ETAT DE SURFACE	CAD SYSTEM SYSTEME CAD
SCALE ECHELLE	DATE DATE	NAME NOM	DESTINATION DESTINATION	REVISION NUMBER NUMERO DE REVISION	SCALE ECHELLE
DATE DATE	BY PAR	BY PAR	BY PAR	BY PAR	BY PAR

SICMA 3
15 x 08 FEMALE TERMINAL

211 FT 0463