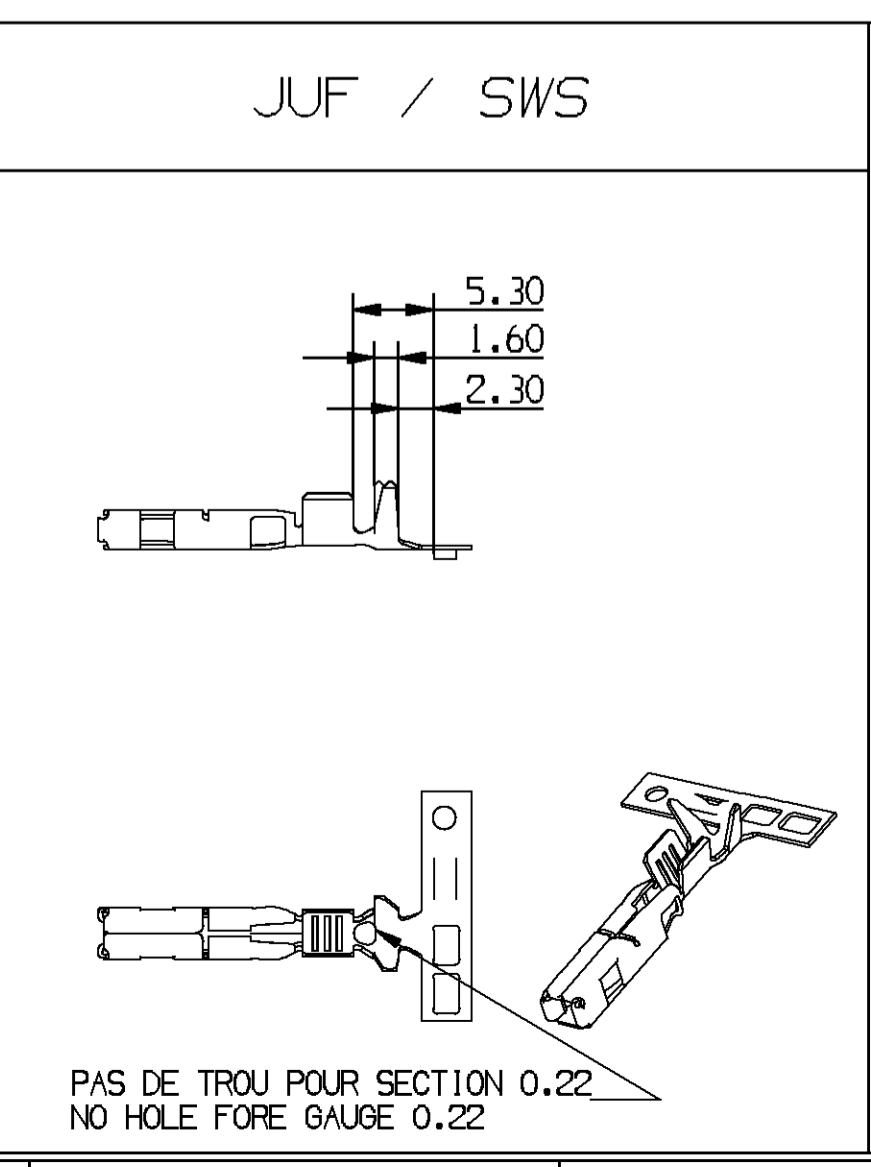
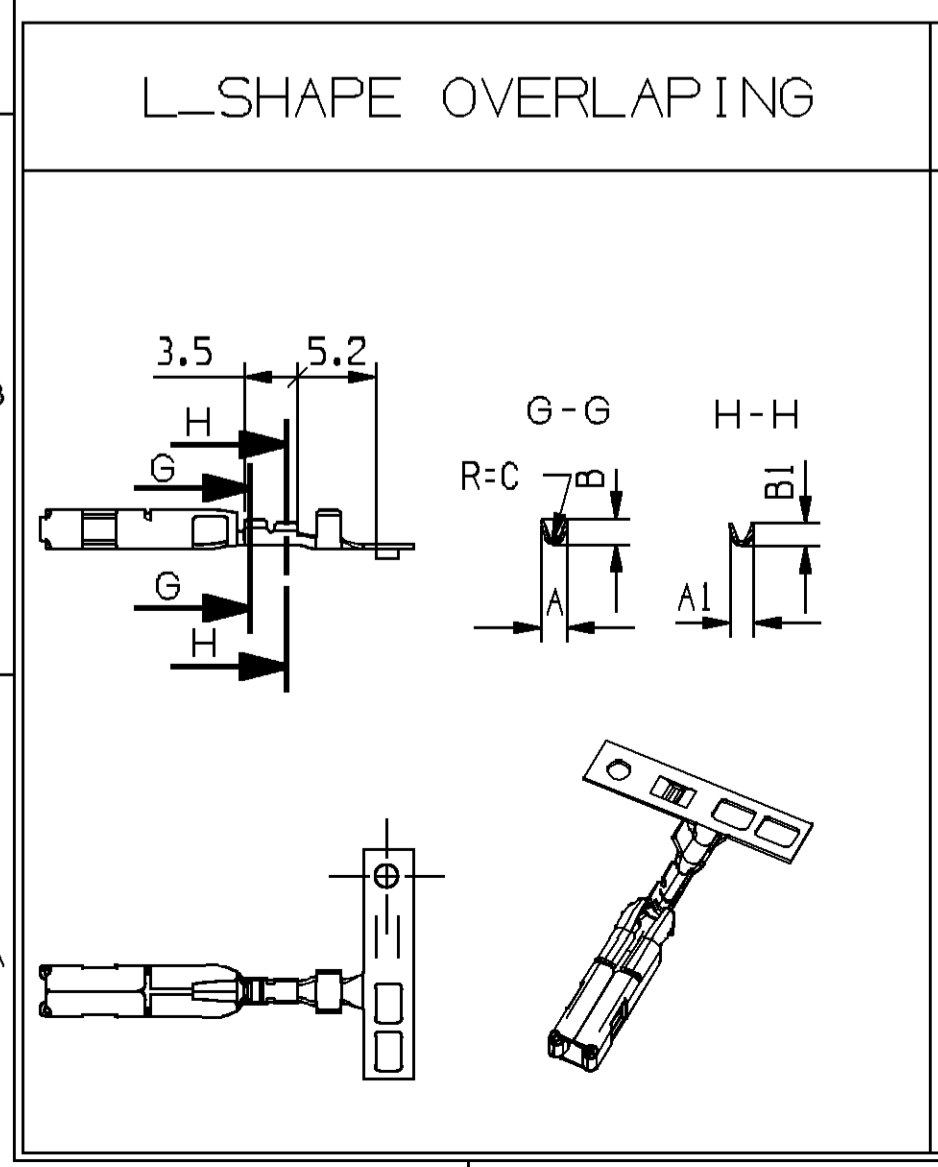
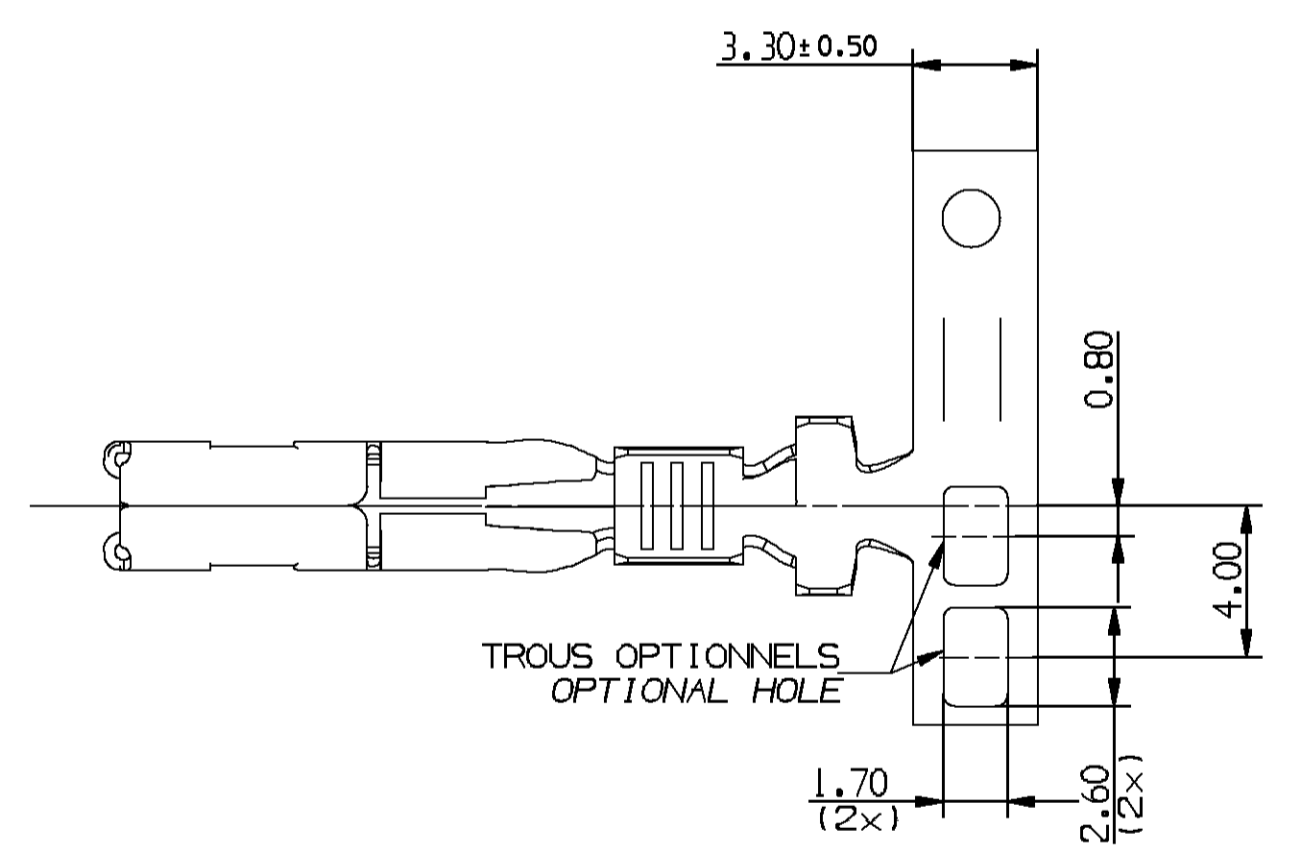
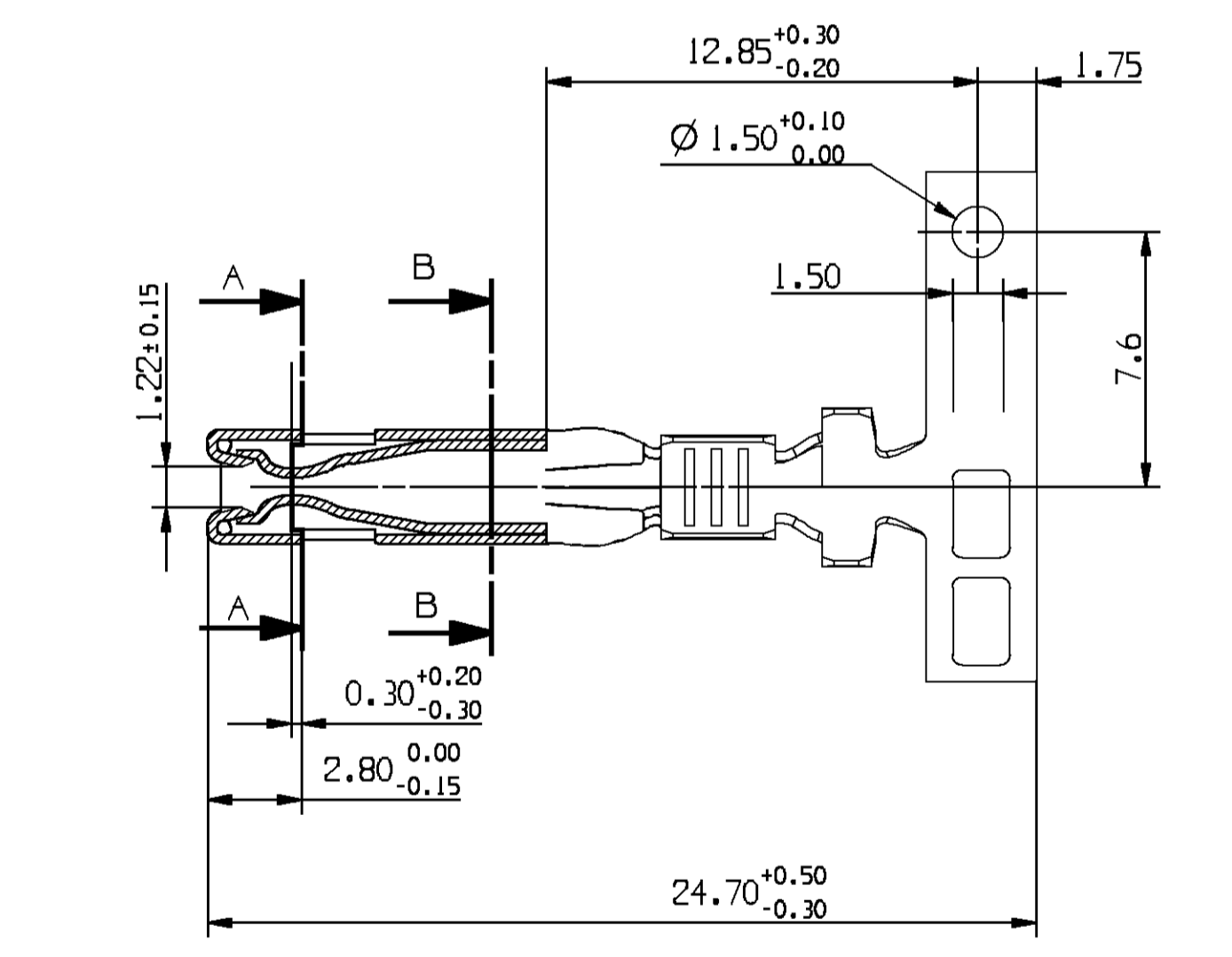
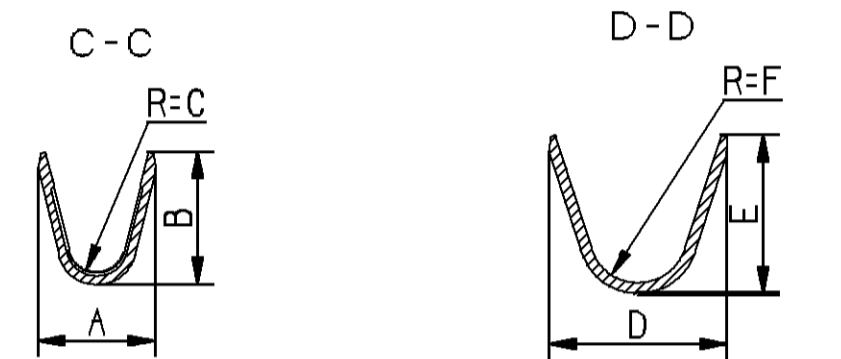
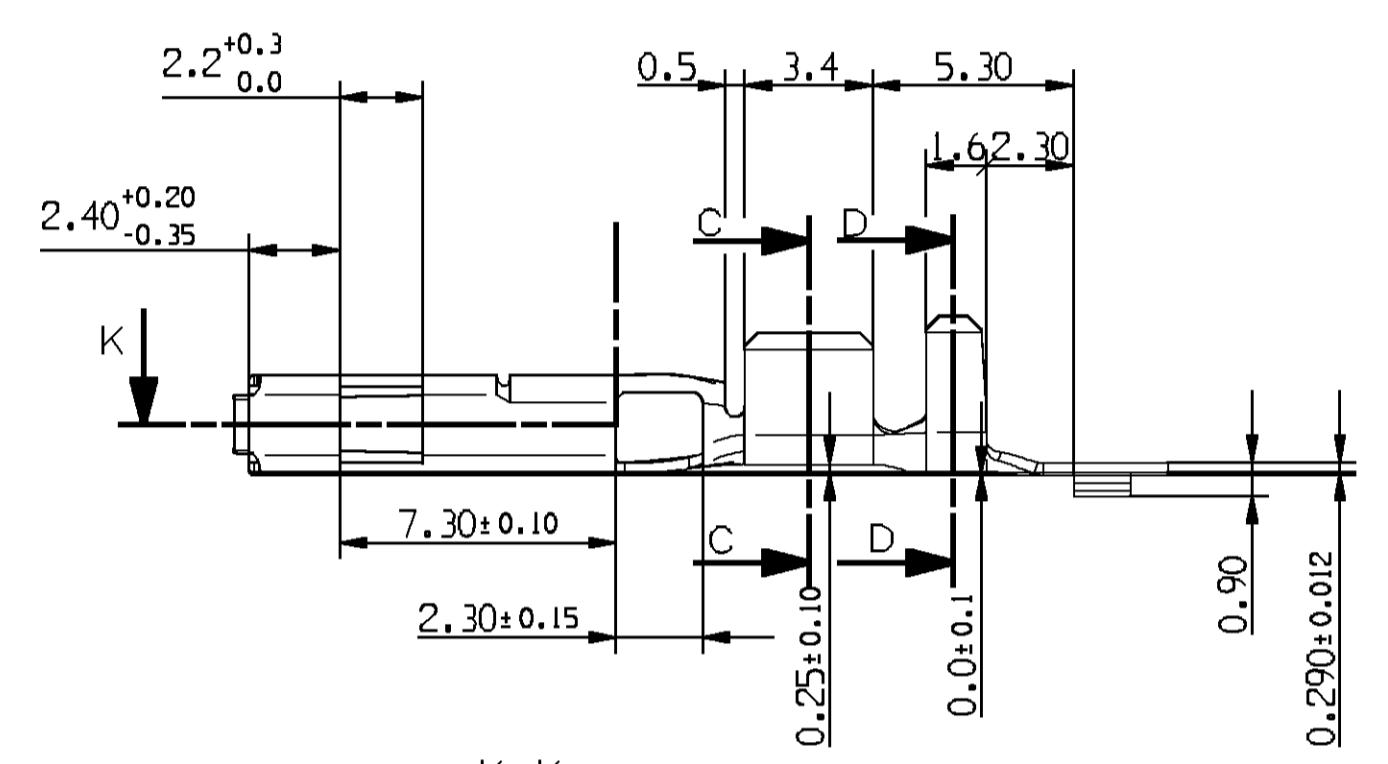
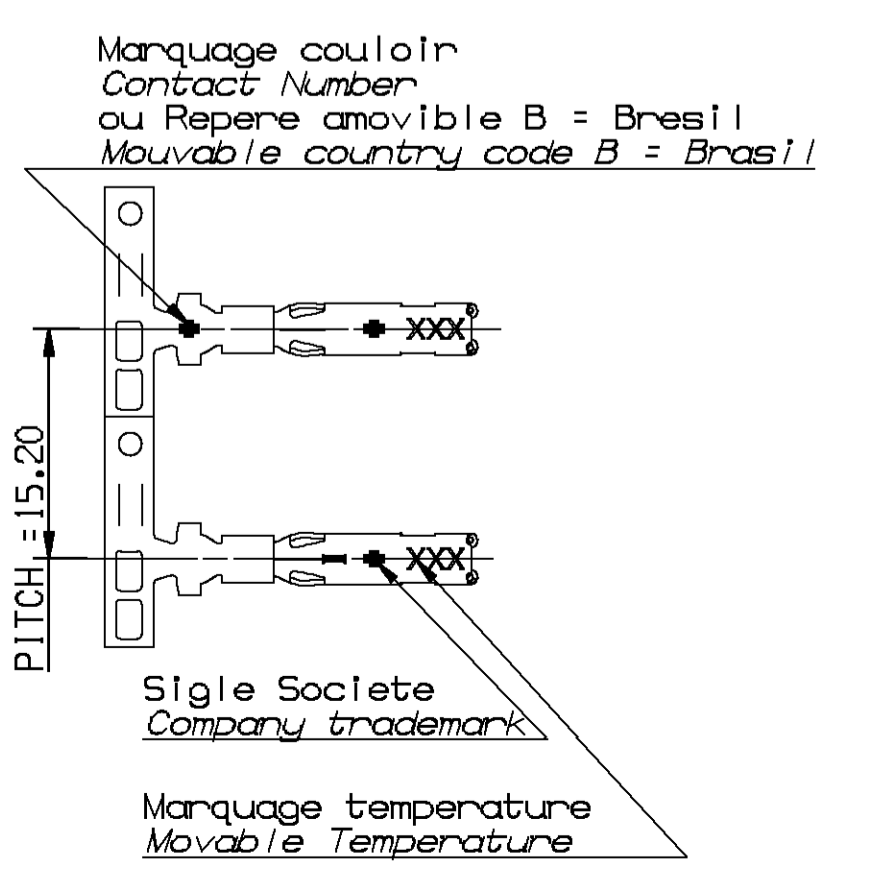
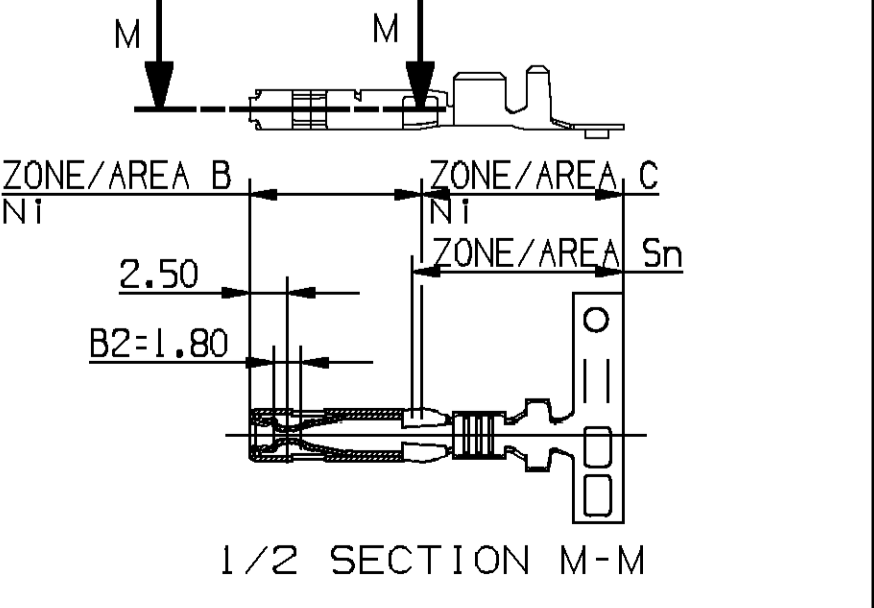


Etat / State	CONTACT / TERMINAL																Matiere / Material	Classe / Class	Marquage / Mark	
	L-SHAPE OVERLAPPING		RECouvreMENT OVERLAPPING		RECouvreMENT OVERLAPPING		JUF / SWS		RECouvreMENT OVERLAPPING		JUF / SWS		RECouvreMENT OVERLAPPING		JUF / SWS					
	P/N	Rev.	P/N	Rev.	P/N	Rev.	P/N	Rev.	P/N	Rev.	P/N	Rev.	P/N	Rev.	P/N	Rev.				
Pré-trimé / Pre-trimmed Sn 1 to 3µm	MVL	/	/	211CC250150P	0	211CC251150P	0	/	/	211CC254150P	0	/	/	211CC252150P	0	/	/	Cu Zn 15	85°	NO
	APTIV	/	/	33523692	01	13777390	01	/	/	33523694	01	/	/	13777391	01	/	/			
	MVL	/	/	211CC250160P	0	211CC251160P	0	211CC251161P	0	211CC254160P	0	211CC254161P	0	211CC252160P	0	211CC252161P	0	Cu Fe 2P	125°	125
	APTIV	33308333	01	13625048	01	10863984	01	13761154	01	10865152	01	13761651	01	10863985	01	13761648	01			
Pré-platé / Pre-plated Au 1.27µm Int	MVL	/	/	211CC250460P	0	211CC251460P	0	/	/	211CC254460P	0	/	/	211CC252460P	0	/	/	Cu Fe 2P	125°	125
	APTIV	33368341	01	13764603	01	13764604	01	/	/	33500701	01	/	/	13764602	01	/	/			
RANGE		00		0		1		4		2										
Section Gauge		0.13		0.22		0.35 to 0.70		0.75 to 1.30		1.35 to 2.00										
Ø Isolat / Insulation		0.95 to 1.35		1.15 to 1.35		1.25 to 2.10		1.60 to 2.60		2.10 to 2.80										
A		1.75		1.53		2.60		2.88		3.10										
Al		1.60		/		/		/		/										
B		1.70		1.87		2.20		2.86		3.50										
R=C		0.31		0.33		0.75		0.75		0.75										
D ± 0.30		2.81		2.87		4.20		4.70		4.70		5.00		4.70		5.00				
E		2.60		3.05		3.30		4.15		4.20		4.50		4.20		4.50				
R=F		0.68		0.68		1.30		1.35		1.30		1.35		1.30		1.35				
Poids sans bande porteuse / Weight without carrier strip		0.00043g		0.00043g		0.00045g		0.00044g		0.00046g		0.00045g		0.00047g		0.00046g				

DWG STATUS				ZONE	REVISION HISTORY		AUTH	DR	APVD 1	APVD 2
DATE	STG	REV	PICHG		DATE	REV				
18JA18	R	02			CONVERSION POS- To REMOVED DPN 13761649; 211CC250161P DPN 33523690; F56250 DPN 33523691; F96250 DPN 33523693; 211CC251461P L-SHAPE RANGE ADDED			L.DOM	L.DEL	P.CAP
20AP18	02	AA			UPDATE BOLD PLATED P/N (ADDED P1) SPECIFIED PRE-TRACKED MATERIAL (Au)			L.DOM	S.BOS	P.CAP
26JN18	02	AB			SHEET 2 REPLACED ROW 2.00mm2 BY 1.35-2.00 mm2			L.DOM	S.BOS	P.CAP
13JL18	02	AC			UPDATED GENERAL TOLERANCES			L.DOM	S.BOS	P.CAP



PROTECTION OR / GOLD PLATING					
Pitch of the strip = 15.20 / 65 terminales per meter					
Reference	Area	Ni (µm)	Sn (µm)	Au (µm)	
		B	C	nominal	min
211 CC 25 X460 P	B2 (INT)	1 MIN	0.1 MAX	1.52	1.27
211 CC 25 X461 P	Contact point	2 MAX			



DWG TYP	PART DRAWING	DISTR CODE	
WEIGHT (GR)			
VOLUME (CM³)			
ROUTING			

UNLESS OTHERWISE SPECIFIED
GENERAL TOLERANCES ACCORDING TO: ±0.2 ±2°

GD&T ACCORDING TO:

DO NOT SCALE	
USE MATH DATA	

DELPHI
DELPHI PACKARD ELECTRICAL/ELECTRONIC ARCHITECTURE
Epernon, France

COPYRIGHT 2017 DELPHI CORPORATION AND/OR ITS AFFILIATES. ALL RIGHTS RESERVED.
REVISED 2018

THIS DRAWING IS THE PROPERTY OF DELPHI CORPORATION AND CONTAINS DELPHI CONFIDENTIAL INFORMATION. THE REPRODUCTION, DISTRIBUTION AND UTILIZATION OF THIS DOCUMENT OR ITS RELATED CAD DATA, AS WELL AS COMMUNICATION OF ANY CONTENT TO OTHERS, WITHOUT EXPRESS AUTHORIZATION, IS PROHIBITED.

CE PLAN EST LA PROPRIETE DE DELPHI CORPORATION ET CONTIENT DES INFORMATIONS DELPHI CONFIDENTIELLES. LA REPRODUCTION, LA DISTRIBUTION ET L'UTILISATION DE CE DOCUMENT OU DE SES DONNEES MATHEMATIQUES CAD, ANSI QUE LA COMMUNICATION DE TOUT CONTENU A AUTRUI, SANS AUTORISATION EXPRESSE EST INTERDITE.

DR	L. DOMERGUE	28MR17
APVD1	L. DELESCLUSE	28MR17
APVD2	P. CAPPE	28MR17
APVD3		
APVD4		
APVD5		

SUBSTANCES OF CONCERN AND RECYCLED CONTENT PER DELPHI 10949001
MATIERES PROSCRITES ET CONTENU RECYCLABLE SELON DELPHI 10949001

MATERIAL SEE CHART

DRAWING NAME
FEMALE TERMINAL 1.50 x0.80

SICMA 3+

DRAWING NUMBER
10857567

SIZE	SCALE	FRAME NO	SHEET NO	STG	REV	N/P
A1	5:1	1 OF 1	1 OF 3	R	02	AC

CONTROLLED DOCUMENTS ARE ONLY AVAILABLE ON THE SERVER