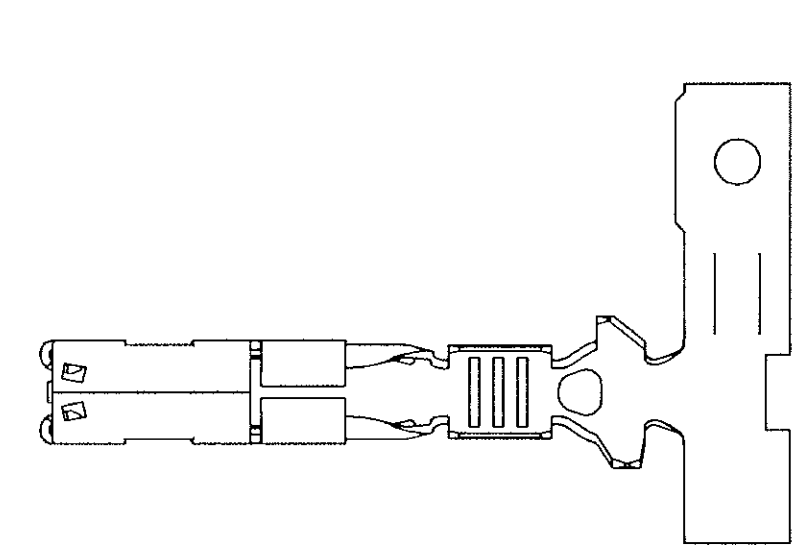
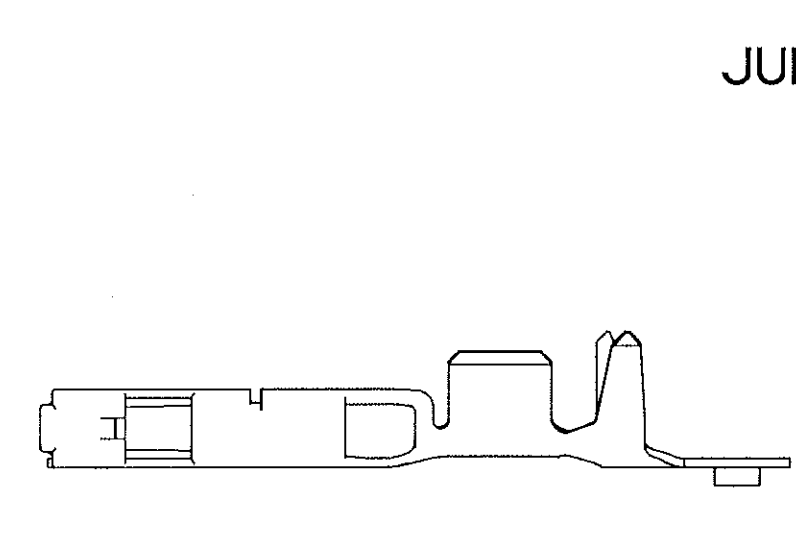
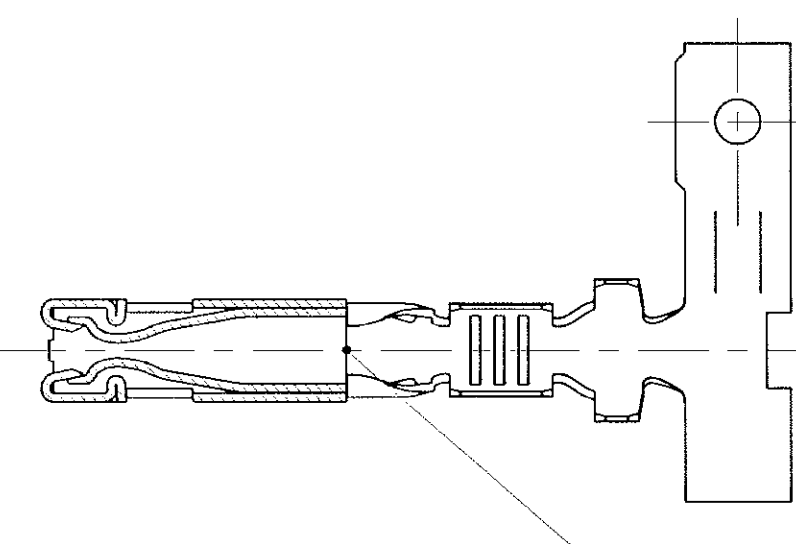
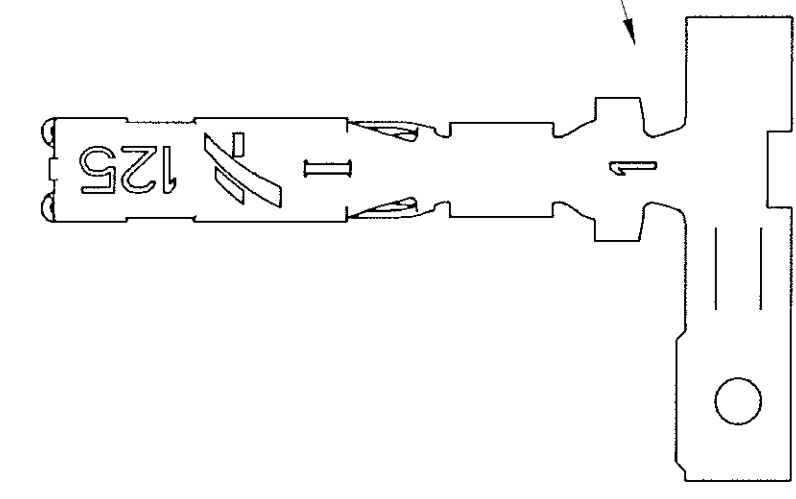
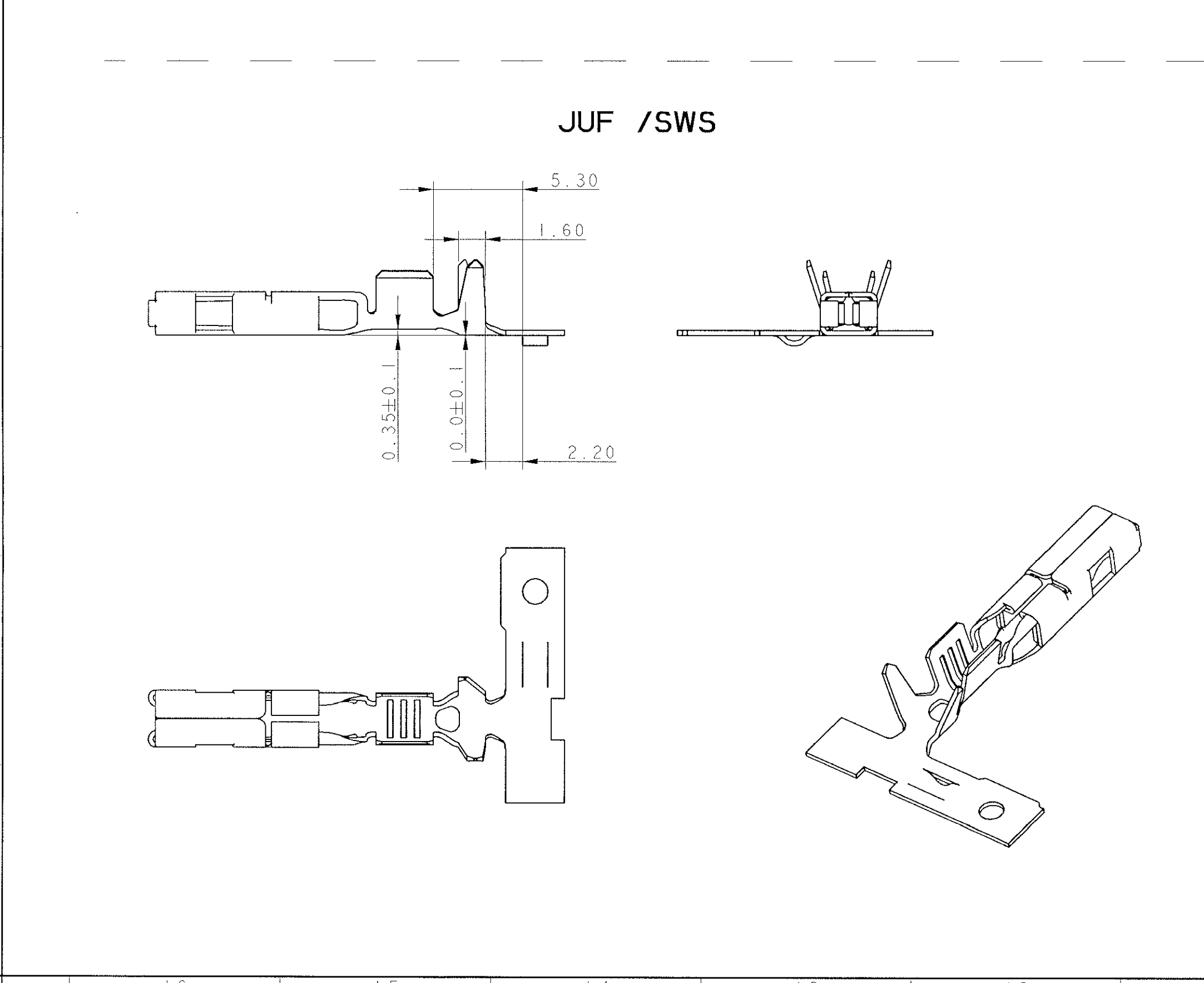
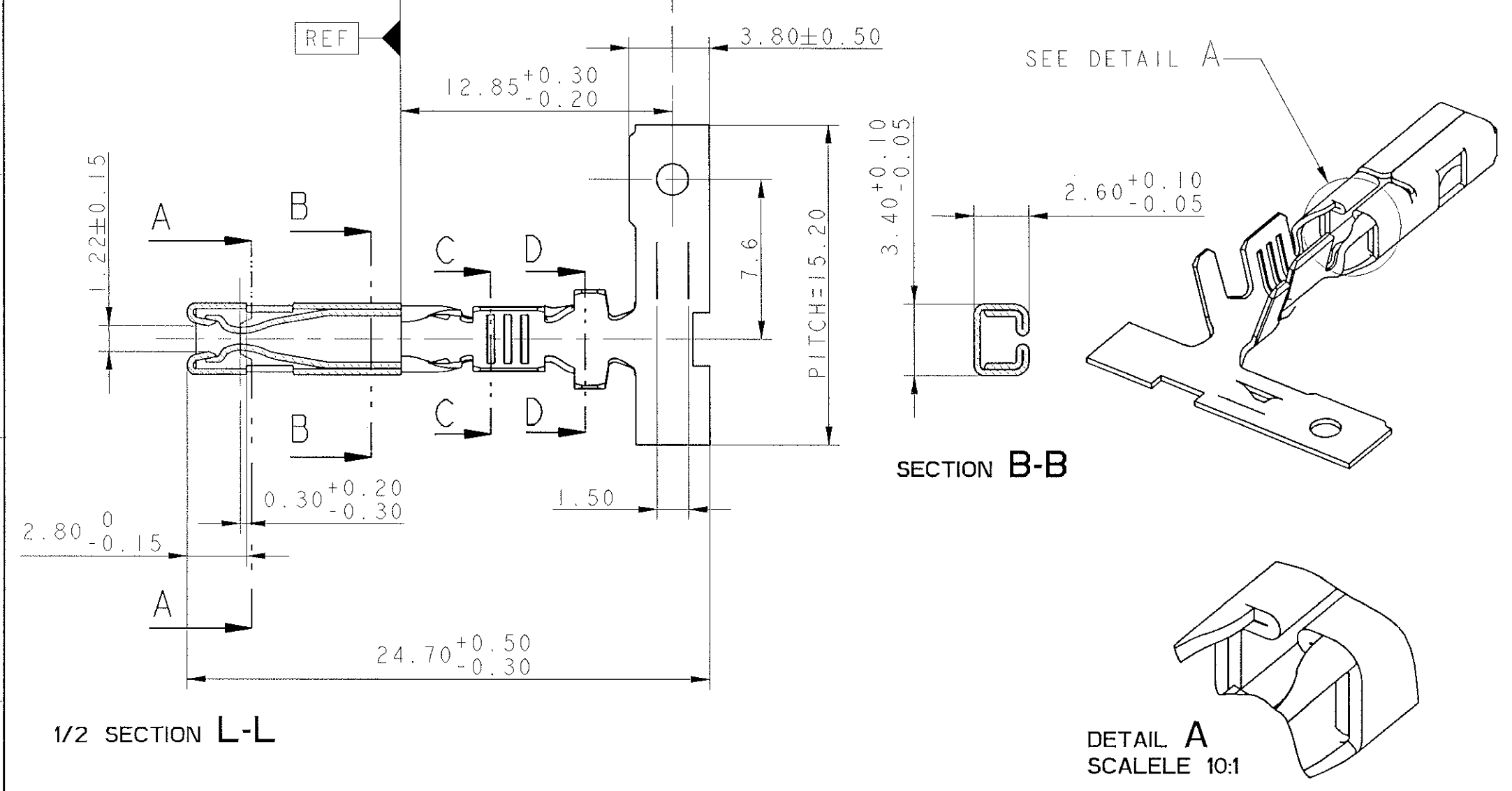
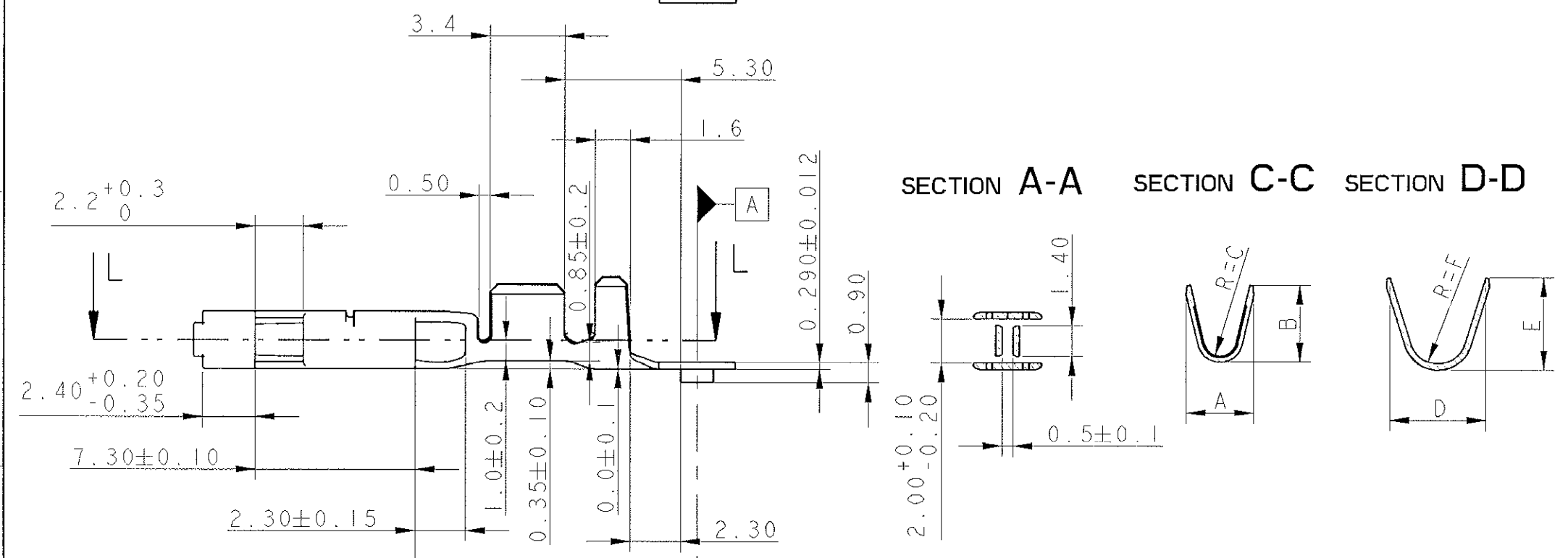
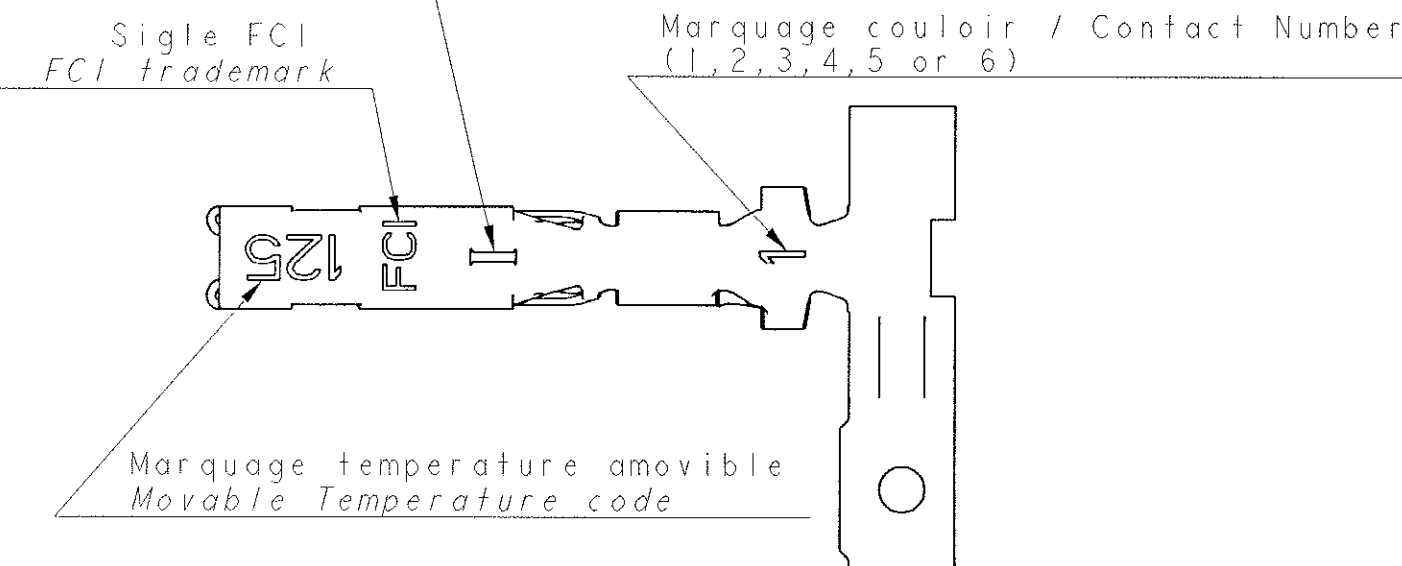


Repère amovible / Movable country code
 I= Italie / Italy
 sans / Without=France / French

FORME ACCEPTEE / ACCEPTED FORM

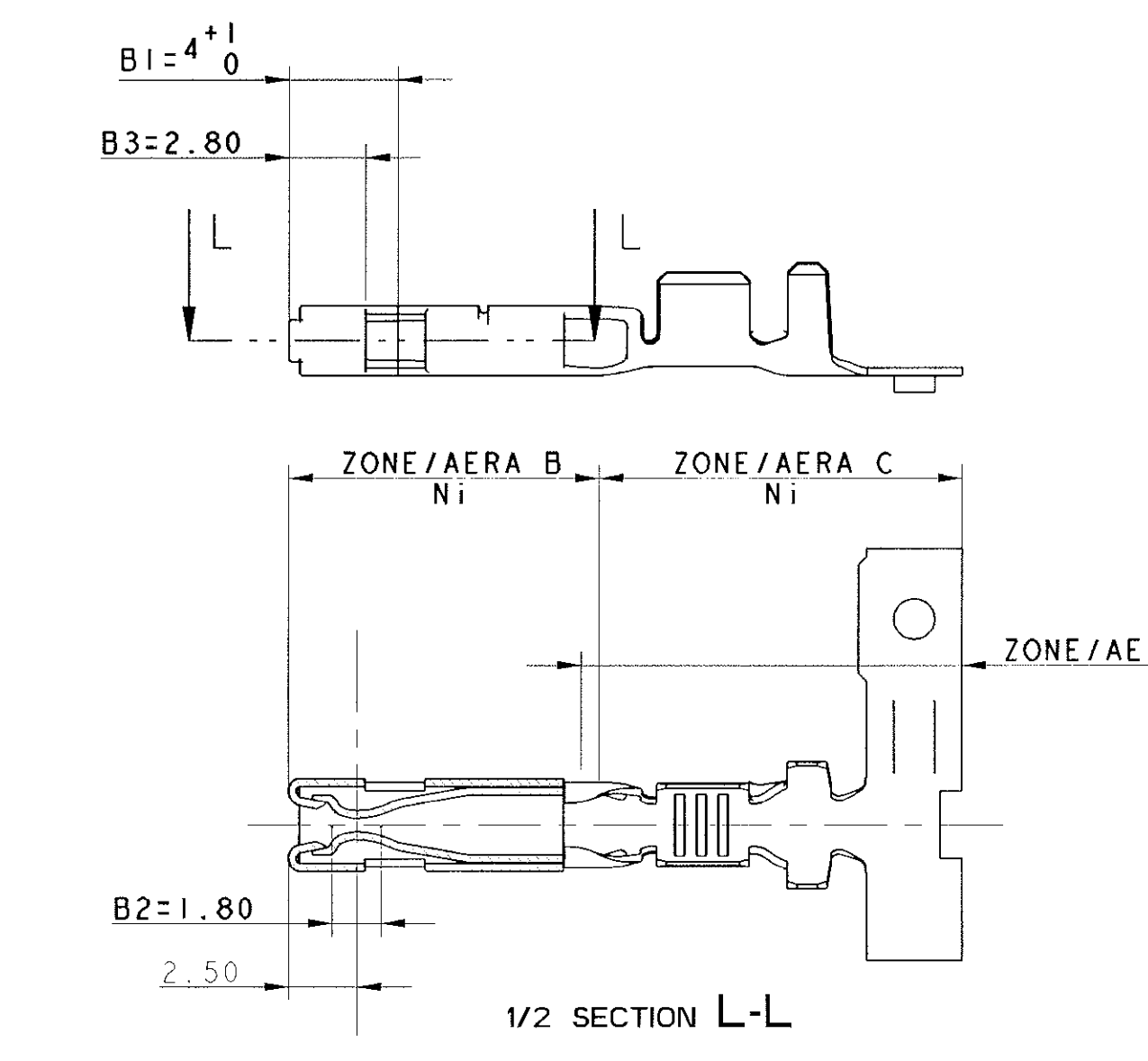


| Etat / State | Références | | | | | | | | Material | Classe | |
|---|-----------------|-----------------|-----------------|-----------------|-----------------|-----------------|-----------------|-----------------|----------|----------|----------|
| | JUF / SWS | JUF / SWS | JUF / SWS | JUF / SWS | JUF / SWS | JUF / SWS | JUF / SWS | JUF / SWS | | | |
| Pré-étamé / Pre-tinned Sn 1 to 3µ | 211 CC 2 S 0150 | | 211 CC 2 S 1150 | | 211 CC 2 S 4150 | | 211 CC 2 S 2150 | | | Cu Zn 15 | 85/105* |
| Pré-étamé / Pre-tinned Sn 1 to 3µ | 211 CC 2 S 0160 | 211 CC 2 S 0161 | 211 CC 2 S 1160 | 211 CC 2 S 1161 | 211 CC 2 S 4160 | 211 CC 2 S 4161 | 211 CC 2 S 2160 | 211 CC 2 S 2161 | | Cu Fe 2P | 125/155* |
| Post-doré / Post-gilded 0.2µ int/ext | 211 CC 2 S 0260 | | 211 CC 2 S 1260 | 211 CC 2 S 1261 | | | | | | Cu Fe 2P | 125/155* |
| Pré-pisté / Pre-tracked 1.27µ int | 211 CC 2 S 0460 | | 211 CC 2 S 1460 | 211 CC 2 S 1461 | 211 CC 2 S 4460 | | 211 CC 2 S 2460 | | | Cu Fe 2P | 125/155* |
| Pré-pisté / Pre-tracked 0.8µ int-0.4 ext | | | 211 CC 2 S 1560 | | | | | | | Cu Fe 2P | 125/155* |
| Section / Gauge | 0.22 to 0.35 | | 0.4 to 0.75 | | 0.8 to 1.3 | | 1.35 to 2 | | | | |
| ∅ Isolant Insulation | 1.2 to 1.35 | | 1.3 to 2.1 | | 1.8 to 2.6 | | 2.1 to 2.7 | | | | |
| A | 1.53 | | 2.6 | | 2.75 | | 3.1 | | | | |
| B | 1.87 | | 2.2 | | 2.93 | | 3.5 | | | | |
| R=C | 0.33 | | 0.75 | | 0.64 | | 0.75 | | | | |
| D | 2.87 | 4.7 | 4.2 | 4.7 | 4.50 | 5 | 4.7 | 5 | | | |
| E | 3.05 | 4.15 | 3.3 | 4.15 | 4.30 | 4.5 | 4.2 | 4.5 | | | |
| R=F | 0.68 | 1.35 | 1.3 | 1.35 | 1.12 | 1.35 | 1.3 | 1.35 | | | |
| Quantité par bobine Quantity per reel | 5000 | 4000 | 5000 | 4000 | 4000 | 4000 | 4000 | 4000 | | | |
| POIDS DU CARTON BOX WEIGHT | 13.4 KG | | 13.4 KG | | 13.4 KG | | 13.4 KG | | | | |

| PROTECTION OR / GOLD PLATING | | | | | | |
|------------------------------|---------------------------|--------------------|---------|----------------|--------------|-------|
| Reference | Area | Ni | | Sn/Pb 90/10 | Thickness Au | |
| | | B | C | | nominal | min |
| 211 CC 2S X 2 60 | B1 (INT/EXT) | 0.5µMIN 0.1µMAX | 0.1µMAX | 1µMIN 6µMAX | 0.25µ | 0.20µ |
| 211 CC 2S X 2 61 | | | | | 0.25µ | 0.20µ |
| 211 CC 2S X 4 60 | B2 (INT) Contact point | 1µMIN 2µMAX | 0.1µMAX | 1µMIN 3µMAX | 1.52µ | 1.27µ |
| 211 CC 2S X 4 61 | | | | | 1.52µ | 1.27µ |
| 211 CC 2S X 5 60 | B3 (EXT) | 1µMIN 2µMAX | 0.1µMAX | 1µMIN 3µMAX | 0.98µ | 0.8µ |
| 211 CC 2S X 5 61 | | | | | 0.5µ | 0.4µ |

ZONE ET DIMENSIONS VALABLES POUR TOUTES REFERENCES
 AREA AND DIMENSIONS ARE VALID FOR ALL REFERENCES

INDICE PIECE=INDICE MAJEUR PLAN
 PART REVISION LEVEL=REVISION MAJOR DRAWING



CONNECTIQUE SICMA-3

ARCHIVE LE 24/07/03

| | | | | | |
|---------------------------------|-----------------------------------|--|--|--|--|
| A 03 031 | 28/07/03 | E00 | ADD 3D MODEL - CHANGE CAD SYSTEM DRAWING ISSUED OF 211 FT 0462 REV. E02 AND PC 211 CC 2S XXXX REV. E00 ADD A NEW FORM - ADD ALL REFERENCES 211 FT 0288 REPLACED BY THE 211 FT 0463 | HERNANDEZ | HERNANDEZ |
| ECN NO. MODIFIED FOR | DATE ISSUED FOR | REVISION DATE | DESCRIPTION MODIFICATION | DRAWN BY DESIGNED FOR | APPROVED BY CHECKED BY |
| PROJ. SPEC. SPEC. PRODUCT | PACKAGING SPEC. SPEC. EMBALAGE | APPLICATION SPEC. SPEC. APPLICATION | THIS DRAWING AND ALL OTHER INFORMATION CONTAINED THEREIN IS PROPRIETARY AND THE PROPERTY OF FCI. This drawing may not be copied, reproduced or disclosed in any form without the expressed written permission of FCI. © FCI 2003 1008 | VE PLAN ET LES INFORMATIONS CONTENUES DANS CE PLAN SONT PROPRIETAIRES ET LA PROPRIETE DE FCI. Ce plan ne peut être copié, reproduit ou divulgué en aucune forme sans la permission écrite de FCI. © FCI 2003 1008 | CONFORME A PROJ. SPEC. SPEC. PRODUCT |
| TOLERANCES DIMENSIONS | ±0.2 ±0.2 | MATERIAL MATERIE | SEE TABLE | SURFACE FINISH ETAT DE SURFACE | FCI |
| DESIGNED BY CONTR. PROJE. N° | DATE 28/07/03 | DESIGNED BY HERNANDEZ S. | DATE 28/07/03 | SCALE E00 | SCALE E00 |
| FORMED BY USIN. PROJ. | DATE 28/07/03 | FORMED BY HERNANDEZ S. | DATE 28/07/03 | SCALE E00 | SCALE E00 |
| FORMED BY USIN. PROJ. | DATE 28/07/03 | FORMED BY HERNANDEZ S. | DATE 28/07/03 | SCALE E00 | SCALE E00 |

SICMA 3
15 x 08 FEMALE TERMINAL

211 FT 0463

FILE NAME
NOM DE FICHIER: 211FT0463

SCALE
E00