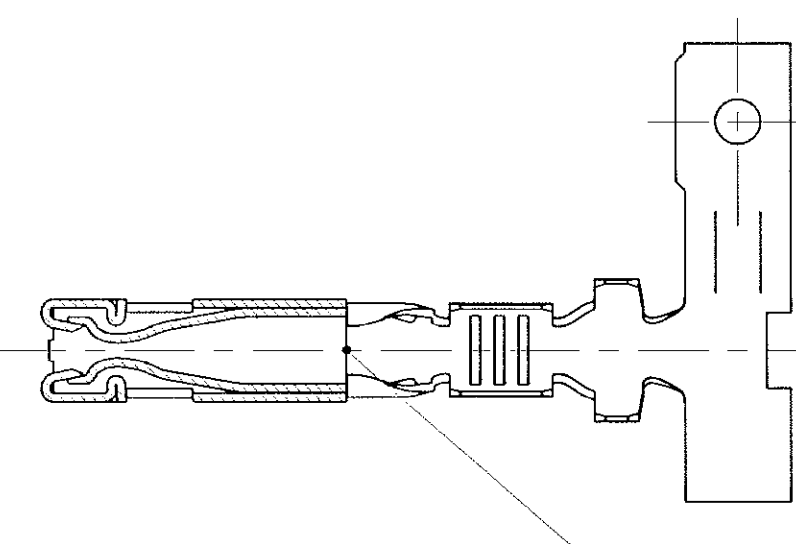
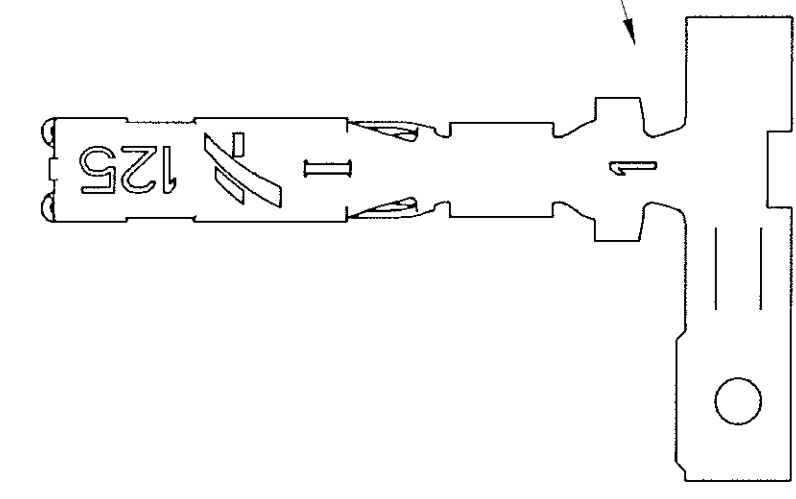
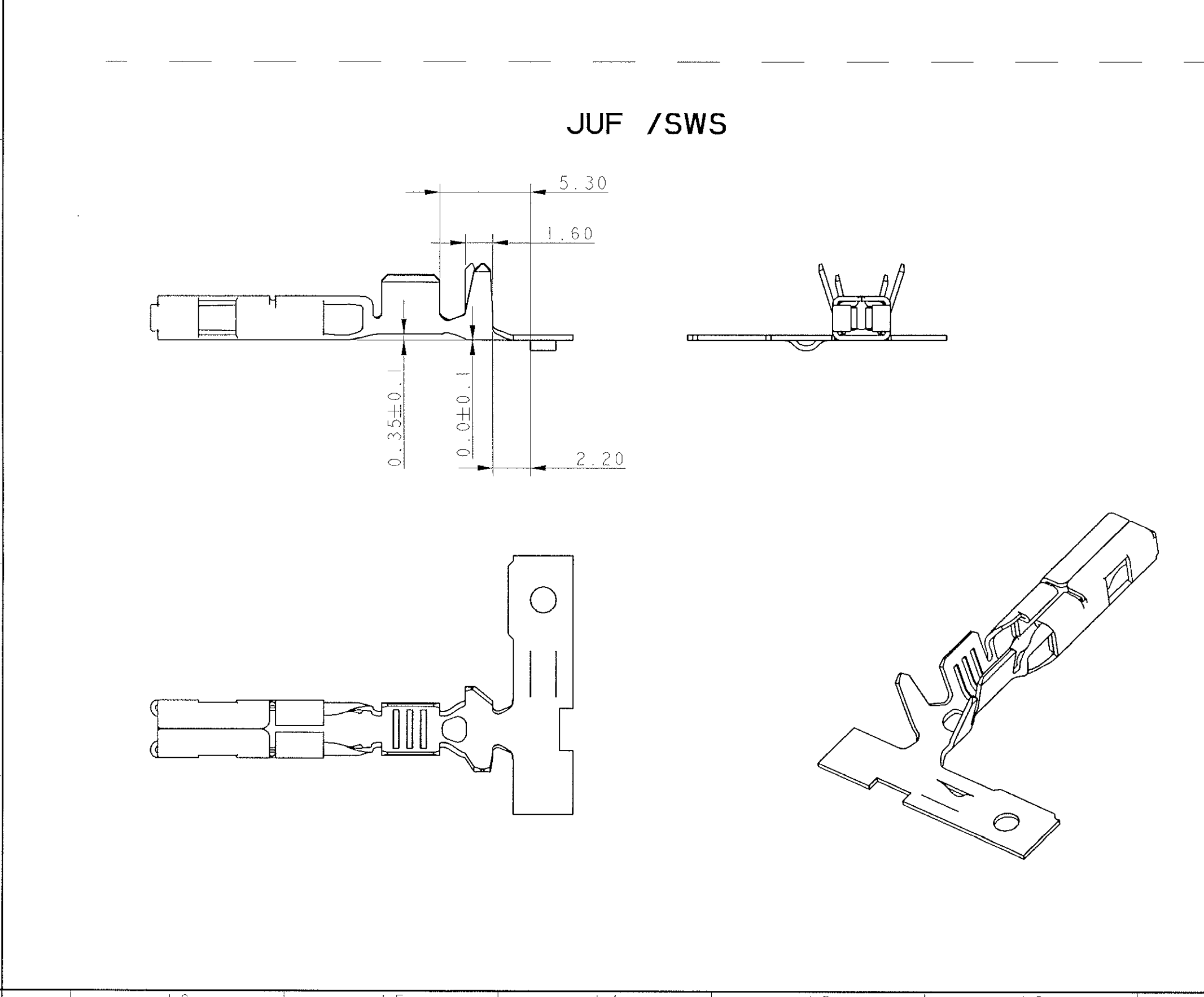
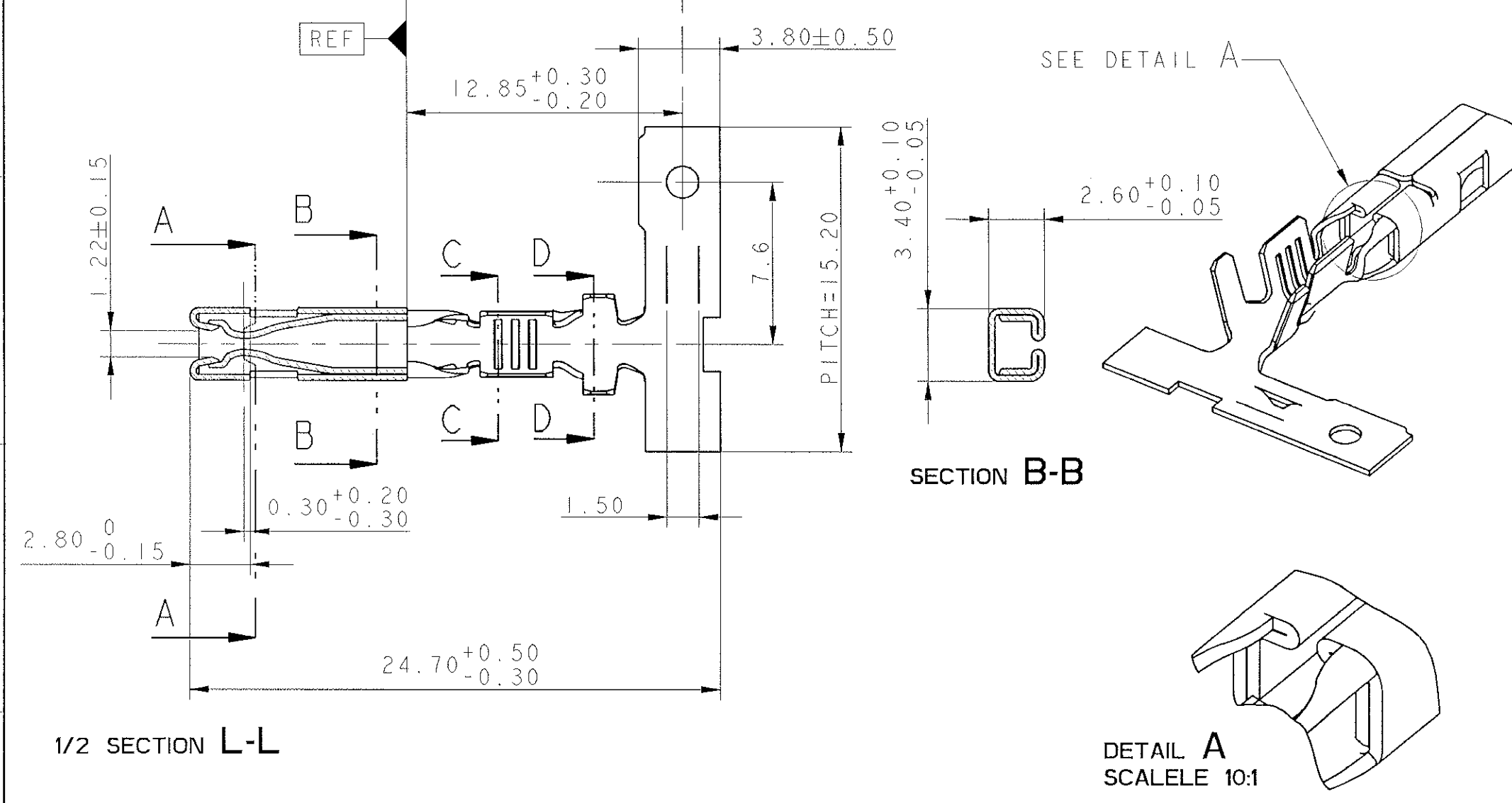
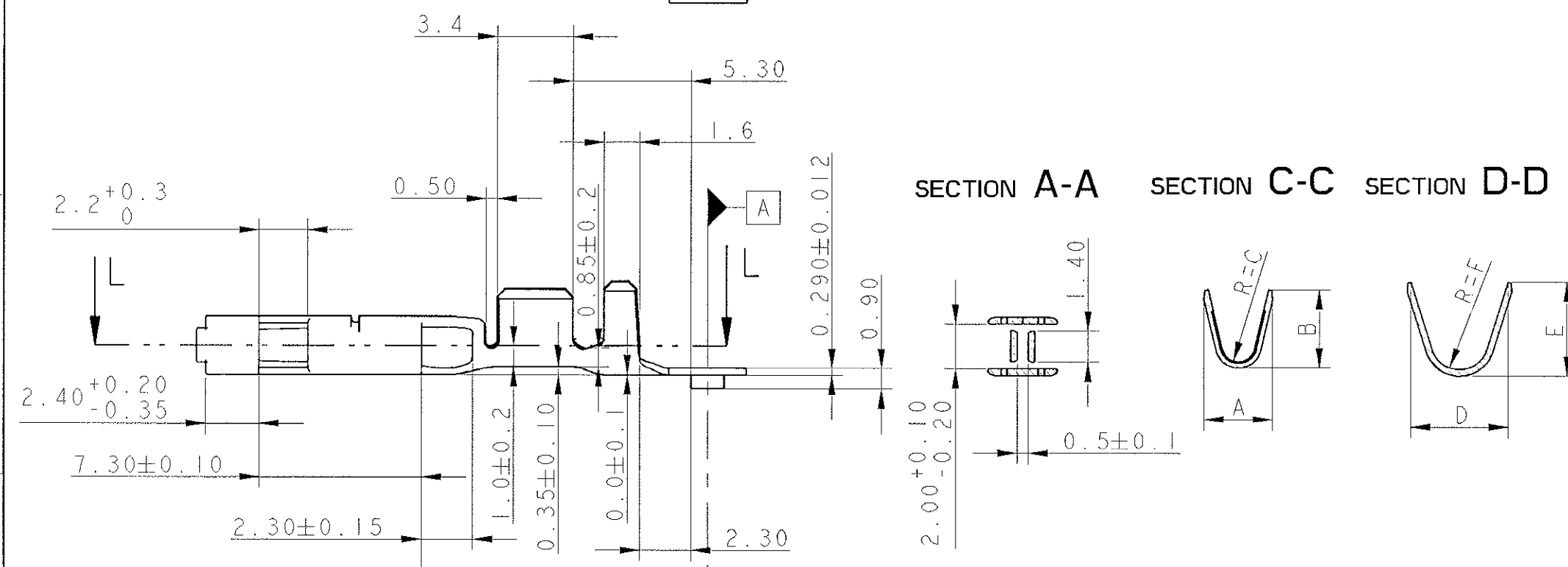
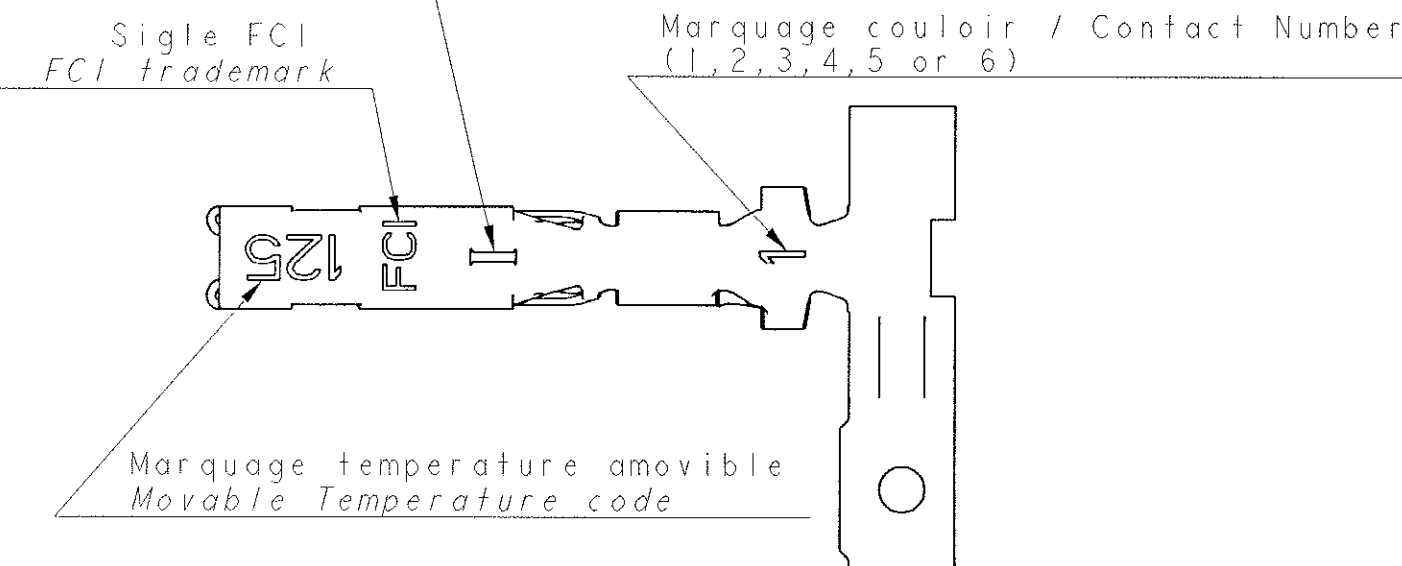
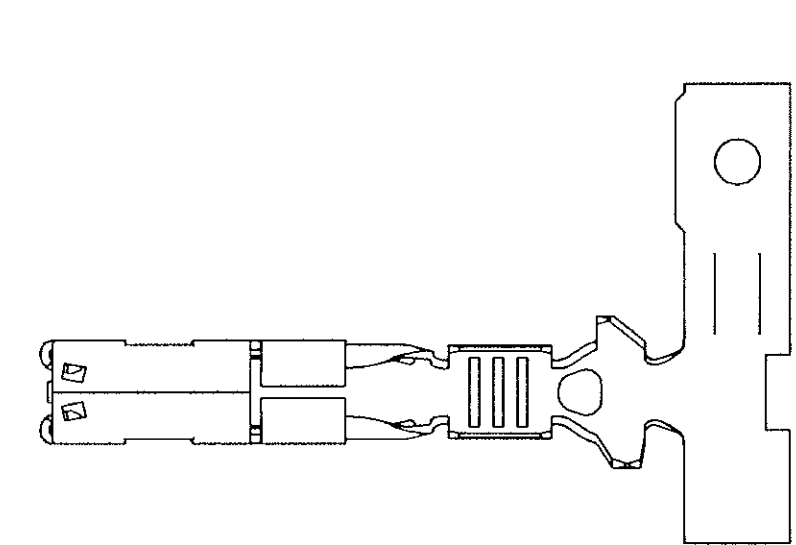
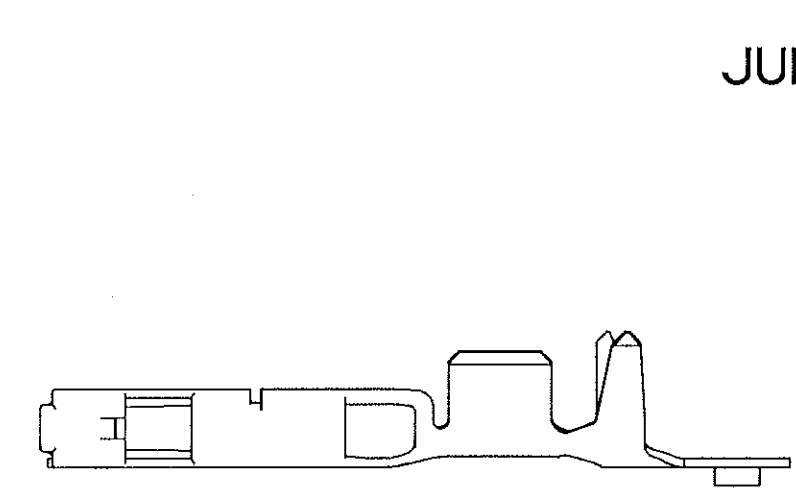


Repère amovible / Movable country code
 I= Italie / Italy
 sans / Without=France / French

FORME ACCEPTEE / ACCEPTED FORM



AVEC OU SANS OBTURATEUR
WITH OR WITHOUT CAP

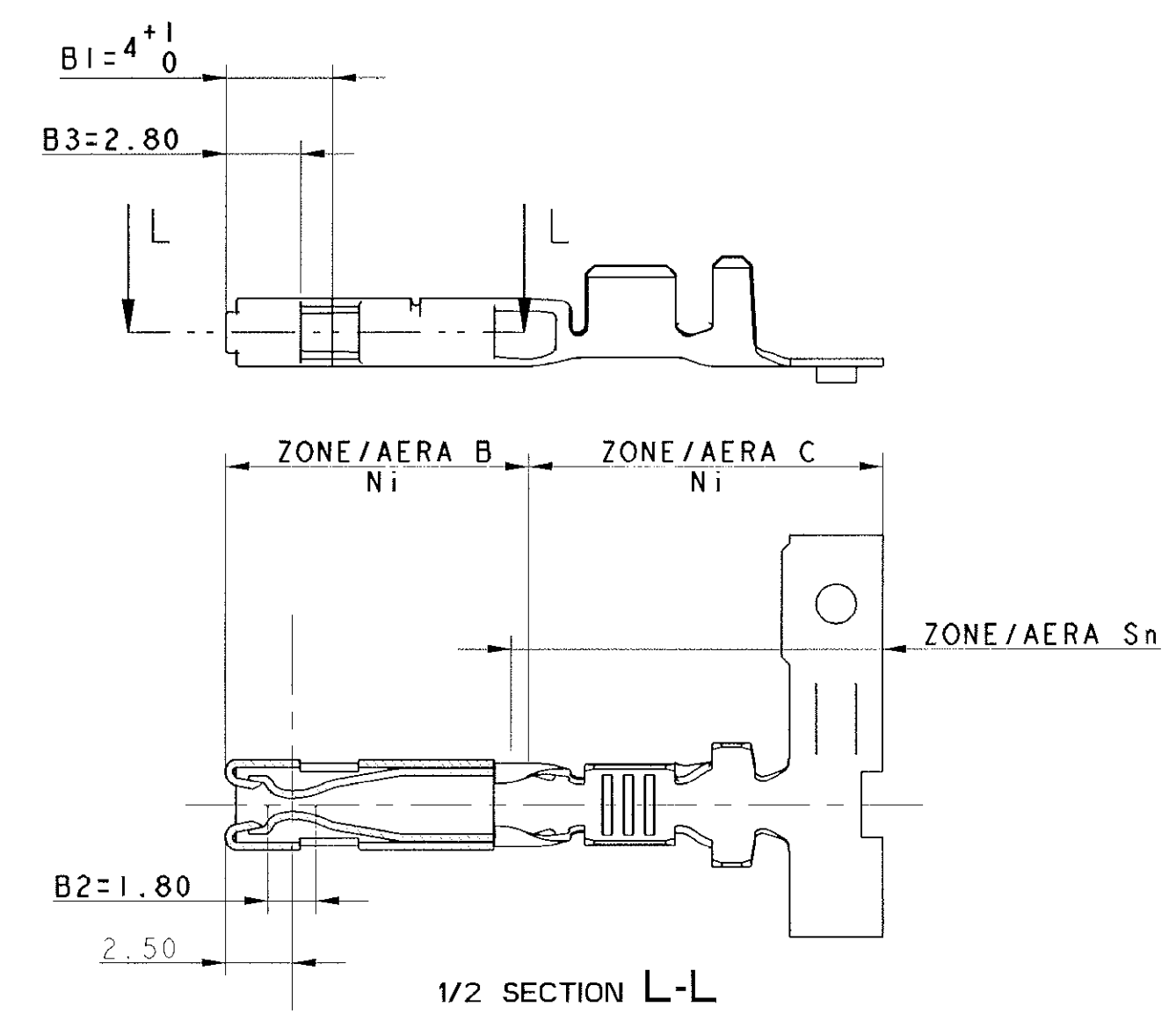


Etat / State	Références								Material	Classe	
	JUF / SWS	JUF / SWS	JUF / SWS	JUF / SWS	JUF / SWS	JUF / SWS	JUF / SWS	JUF / SWS			
Pré-étamé / Pre-tinned Sn 1 to 3µ	211 CC 2 S 0150		211 CC 2 S 1150		211 CC 2 S 4150		211 CC 2 S 2150			Cu Zn 15	85/105*
Pré-étamé / Pre-tinned Sn 1 to 3µ	211 CC 2 S 0160	211 CC 2 S 0161	211 CC 2 S 1160	211 CC 2 S 1161	211 CC 2 S 4160	211 CC 2 S 4161	211 CC 2 S 2160	211 CC 2 S 2161		Cu Fe 2P	125/155*
Post-doré / Post-gilded 0.2µ int/ext	211 CC 2 S 0260		211 CC 2 S 1260	211 CC 2 S 1261						Cu Fe 2P	125/155*
Pré-pisté / Pre-tracked 1.27µ int	211 CC 2 S 0460		211 CC 2 S 1460	211 CC 2 S 1461	211 CC 2 S 4460		211 CC 2 S 2460			Cu Fe 2P	125/155*
Pré-pisté / Pre-tracked 0.8µ int-0.4 ext			211 CC 2 S 1560							Cu Fe 2P	125/155*
Section / Gauge	0.22 to 0.35		0.4 to 0.75		0.8 to 1.3		1.35 to 2				
∅ Isolant Insulation	1.2 to 1.35		1.3 to 2.1		1.8 to 2.6		2.1 to 2.7				
A	1.53		2.6		2.75		3.1				
B	1.87		2.2		2.93		3.5				
R=C	0.33		0.75		0.64		0.75				
D	2.87	4.7	4.2	4.7	4.50	5	4.7	5			
E	3.05	4.15	3.3	4.15	4.30	4.5	4.2	4.5			
R=F	0.68	1.35	1.3	1.35	1.12	1.35	1.3	1.35			
Quantité par bobine Quantity per reel	5000	4000	5000	4000	4000	4000	4000	4000			
POIDS DU CARTON BOX WEIGHT	13.4 KG		13.4 KG		13.4 KG		13.4 KG				

PROTECTION OR / GOLD PLATING						
Reference	Area	Ni		Sn/Pb 90/10	Thickness Au	
		B	C		nominal	min
211 CC 2S X 2 60	B1 (INT/EXT)	0.5µMIN 0.1µMAX	0.1µMAX	1µMIN 6µMAX	0.25µ	0.20µ
211 CC 2S X 2 61						
211 CC 2S X 4 60	B2 (INT) Contact point	1µMIN 2µMAX	0.1µMAX	1µMIN 3µMAX	1.52µ	1.27µ
211 CC 2S X 4 61						
211 CC 2S X 5 60	B3 (EXT)	1µMIN 2µMAX	0.1µMAX	1µMIN 3µMAX	0.98µ	0.8µ
					0.5µ	0.4µ

ZONE ET DIMENSIONS VALABLES POUR TOUTES REFERENCES
AREA AND DIMENSIONS ARE VALID FOR ALL REFERENCES

INDICE PIECE=INDICE MAJEUR PLAN
PART REVISION LEVEL=REVISION MAJOR DRAWING



CONNECTIQUE SICMA-3

ARCHIVE LE 24/07/03

A 03 031	28/07/03	E00	ADD 3D MODEL - CHANGE CAD SYSTEM DRAWING ISSUED OF 211 FT 0462 REV. E02 AND PC 211 CC 2S XXXX REV. E00 ADD A NEW FORM - ADD ALL REFERENCES 211 FT 0288 REPLACED BY THE 211 FT 0463	HERNANDEZ	HERNANDEZ
ECR NO. WORKING DRAWING	DATE ISSUE	REV. REVISION	DESCRIPTION MODIFICATION	APPROVED BY DESIGNED BY	APPROVED BY DESIGNED BY
PROJONCE SPEC. SPEC. PRODUCT	EMBALLAGE SPEC. SPEC. APPLICATION	APPLICATION SPEC. SPEC. APPLICATION	CHANG. DESCRIPTION MODIFICATION	DRW BY DESIGNED BY	APPROVED BY DESIGNED BY
TOLERANCES DIMENSIONS	±0.2 ±0.2	MATIERE MATERIAL	SEE TABLE	ETAT DE SURFACE SURFACE FINISH	CD SYSTEM
COULEUR COLOR		PROJONCE PROJECT		PROJONCE PROJECT	
NOY. MOY. SCALE BY PAS PASSE DE COTES		NOY. MOY. SCALE BY PAS PASSE DE COTES		NOY. MOY. SCALE BY PAS PASSE DE COTES	
DATE DATE	28/07/03	DATE DATE		DATE DATE	
DESIGNER DESIGNED BY	HERNANDEZ S.	DESIGNER DESIGNED BY		DESIGNER DESIGNED BY	
FILE NO. WORKING DRAWING	FRA-0332	FILE NO. WORKING DRAWING		FILE NO. WORKING DRAWING	
SCALE SCALE		SCALE SCALE		SCALE SCALE	

SICMA 3
15 x 08 FEMALE TERMINAL

211 FT 0463

FILE NO.
WORKING DRAWING: 211 FT 0463

SCALE
SCALE: 4:1