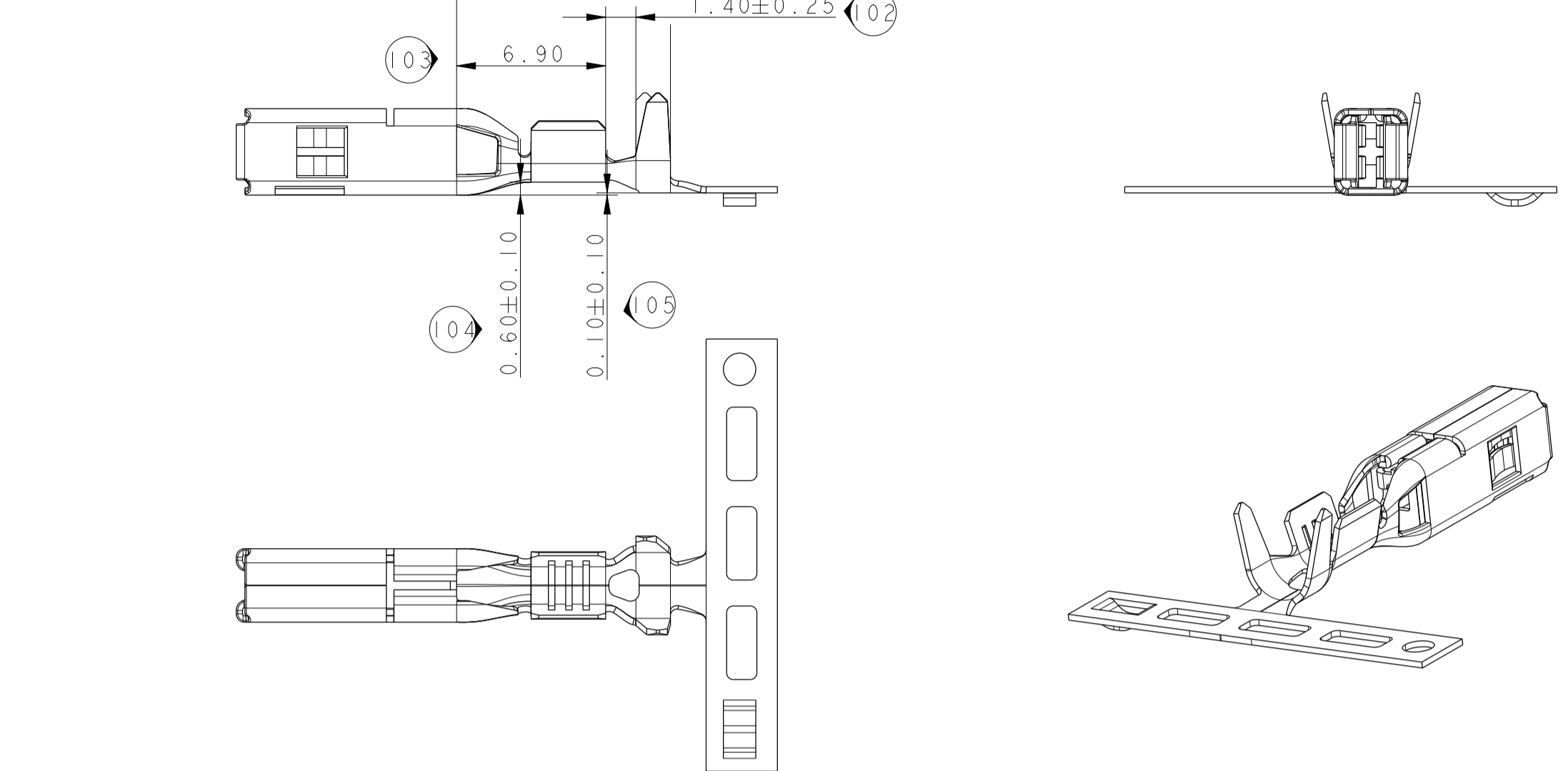


JUF / SWS



Reference	Pitch of the strip = 20 50 terminals per meter			Thickness Au	
	Area	Ni	Sn	nominal	mini
211 CC 3S X 4 60	Al (INT) Contact point	1 μm MIN 2 μm MAX	0.1 μm MAX	1.52 μm	1.27 μm
	Ni				
	Sn		1 μm MIN 3 μm MAX		

NOMBRE DE DIMENSIONS NUMEROTEES QUANTITY OF NUMBERING DIMENSIONS	38
Numéro non utilisé Numbering not used	14-20; 30; 40; 43-100
Dernier numéro utilisé last number used	105

ETAT STATE	Références																				Material	Classe								
	⑥				JUF / SWS ⑥				⑥				JUF / SWS ⑥				⑥													
	MVL	REV.	DELPHI	REV.	MVL	REV.	DELPHI	REV.	MVL	REV.	DELPHI	REV.	MVL	REV.	DELPHI	REV.	MVL	REV.	DELPHI	REV.	MVL	REV.	DELPHI	REV.						
C Pré-étamé Pretinned	211CC3S1150	D	10776116	01					211CC3S4150	D	33510893	01					211CC3S2150	D	10776330	01						Cu Zn 15	85°			
C Pré-étamé Pre-tinned	211CC3S1160	D	10781041	01	211CC3S1161	D	10740375	01	211CC3S4160	D	15522621	01	211CC3S4161	D	13873373	01	211CC3S2160	D	10726549	01	211CC3S2161	D	10740376	01	F866700	D	33510896	01	Cu Fe 2P	125°
C Pré-pisté Pre-tracked	211CC3S1460	D	13567906	01					211CC3S4460	D	33510894	01					211CC3S2460	D	33501949	01							Cu Fe 2P	125°		
C Pré-étamé Pre-tinned	211CC3S1190	D	33501947	01					211CC3S4190	D	33501951	01					211CC3S2190	D	33501948	01							Cu Cr Ag Fe Ti Si	150°		
B Section Gauge	0.35 to 0.70				0.75 to 1.30				1.35 to 2.50				3.00 to 4.00																	
B Isolation	⑥ 1.25 to 1.80				⑥ 1.60 to 2.40				2.1 to 3				3 to 4																	
A A				2.9								3.1																3.4		
A B				2.2								2.8																3.6		
A R=C				0.9								0.9																0.9		
A D ± 0.3			4				4.3				4.35																	4.7		
A E			3.3				4.1				4.15																	4.9		
A R=F			1.4				1.4				1.4																	1.7		

14-01621

- 24.95; 12.35 BECOME 12.95; 13.10
- UPDATE INSULATION
- MODIFY CARRIER STRIP DESIGN AND FRONT SHAPE
- 0.80 BECOMES 0.60;
- DELPHI P/N ADDED; REV BECOME D

ECN-NO.	POSITION	CHANGE DESCRIPTION
14-01621	1	24.95; 12.35 BECOME 12.95; 13.10
14-01621	2	UPDATE INSULATION
14-01621	3	MODIFY CARRIER STRIP DESIGN AND FRONT SHAPE
14-01621	4	0.80 BECOMES 0.60;
14-01621	5	DELPHI P/N ADDED; REV BECOME D

DELPHI CORPORATION AND/OR ITS AFFILIATES. ALL RIGHTS RESERVED. REVISED THIS DRAWING IS THE PROPERTY OF DELPHI CORPORATION AND CONTAINS DELPHI CONFIDENTIAL INFORMATION. THE REPRODUCTION, DISTRIBUTION AND RELEASE OF THIS DOCUMENT OR ITS CONTENTS WITHOUT THE WRITTEN PERMISSION OF DELPHI CORPORATION IS PROHIBITED. CE DOCUMENT ET SES CONTENU SONT PROPRIÉTÉ DE DELPHI CORPORATION ET SONT DE NATURE CONFIDENTIELLE. LA REPRODUCTION, LA DISTRIBUTION ET L'UTILISATION DE CE DOCUMENT SANS AUTORISATION ÉCRITE, EST INTERDITE.

DATE: 20100711 NAME: TECHNIE TITLE: 28 x 08 FEMALE TERMINAL

PROJECT: LDOMERGUE

DESIGNATION: F FAHNE

ESR NO: FBA-0332 NUMBER CAP: SICMA 3

DRAWING NUMBER: 211FT0437

SHEET: 1 OF 1

SCALE: 1:1

