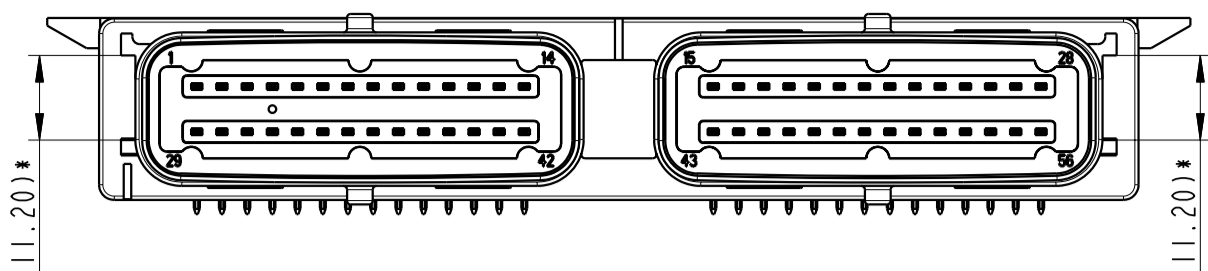


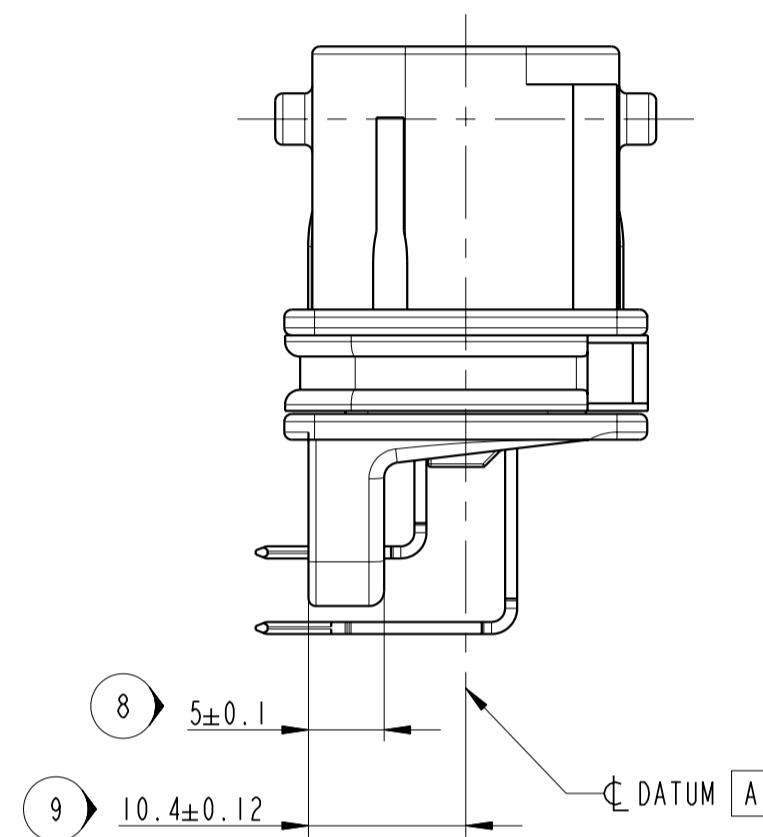
MALE HOUSING KEY CODE

CODING ±0.1	
COLOUR	BLACK
KEY CODE	I (BLACK)
FCI FINISH PART NUMBER	SEE DRAWING TITLE BLOCK
FCI FINISH PART REVISION INDEX	SEE DRAWING TITLE BLOCK
CUSTOMER PART NUMBER	-

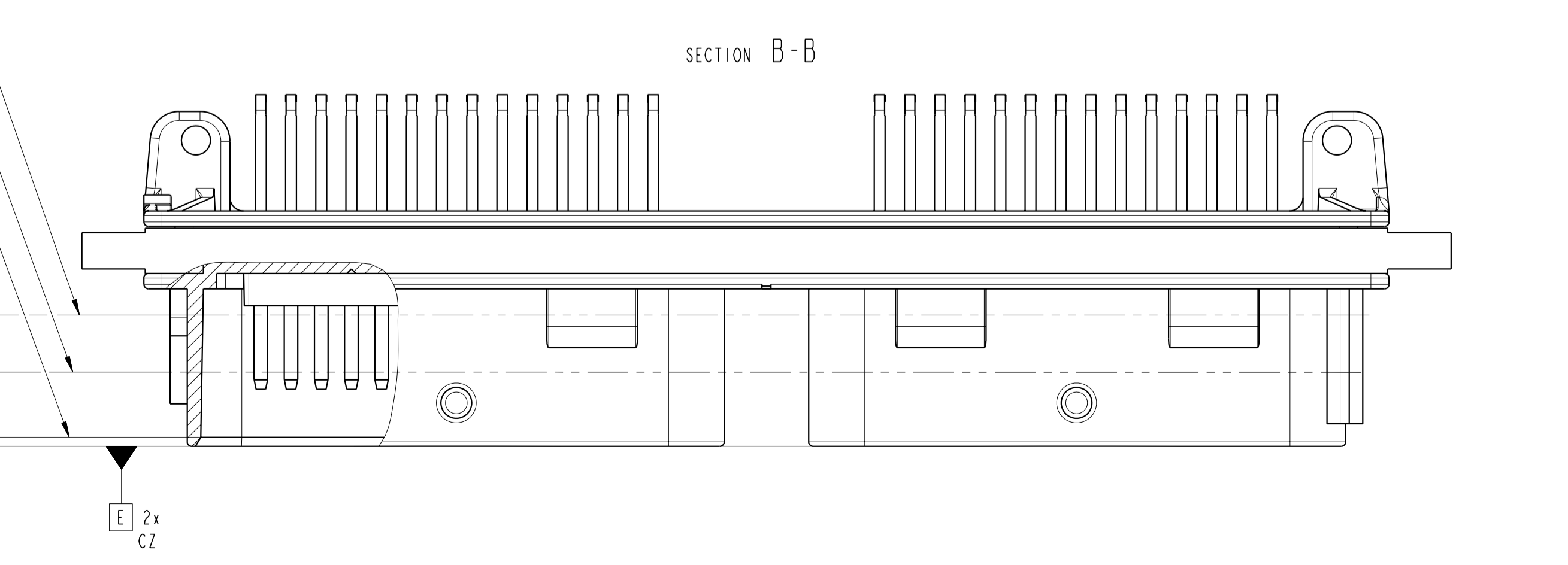
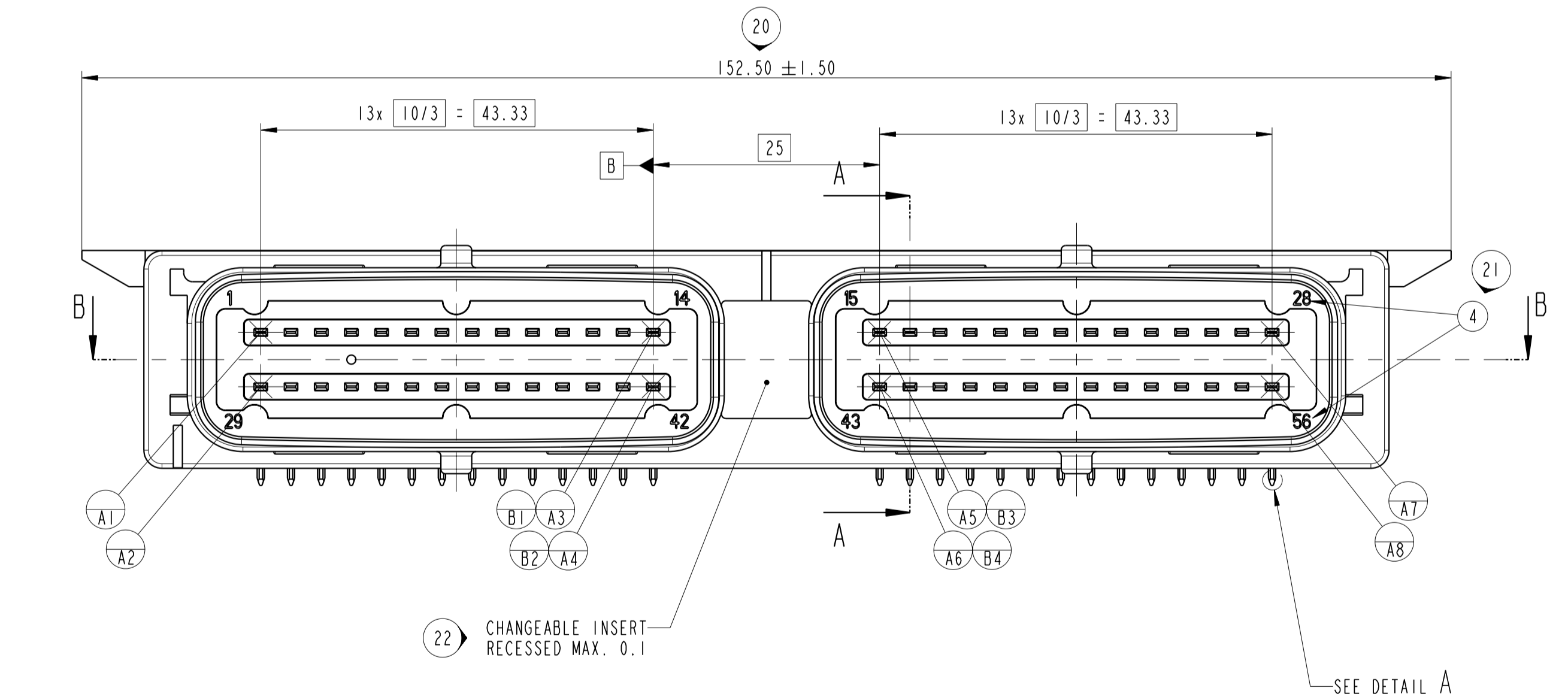
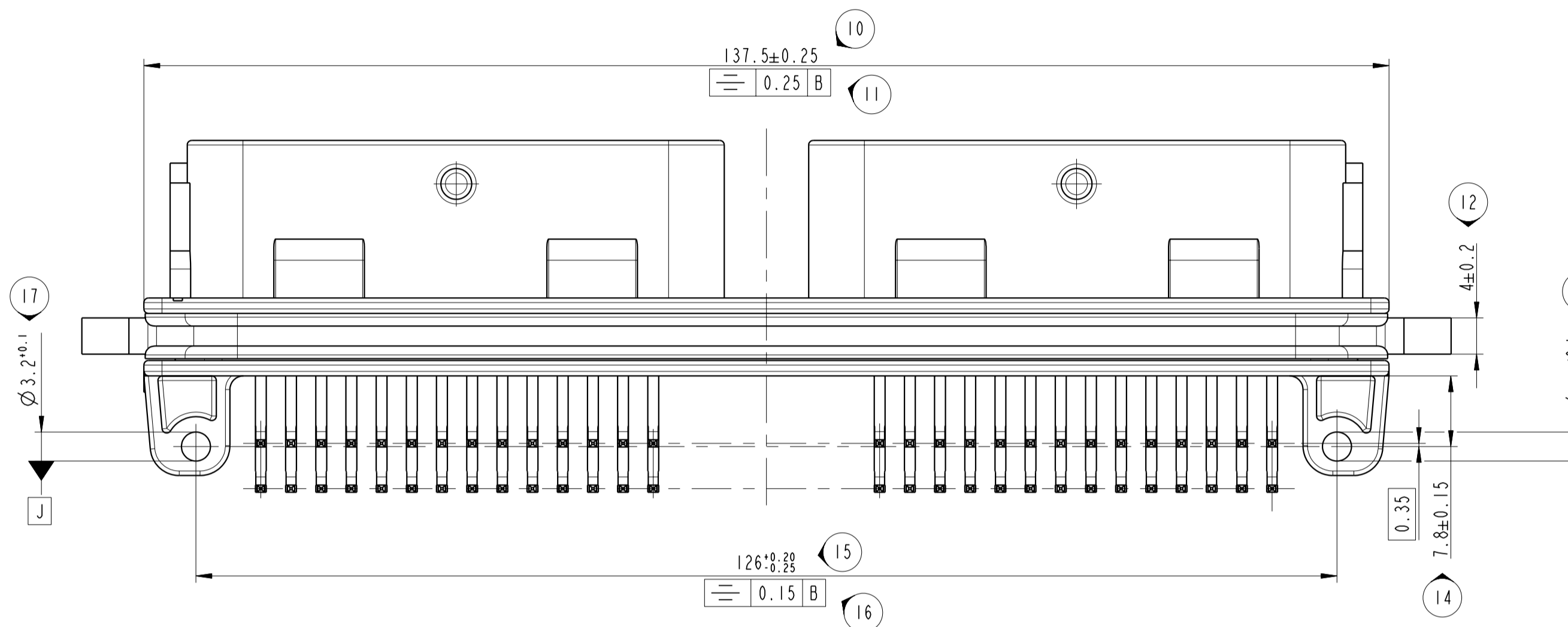
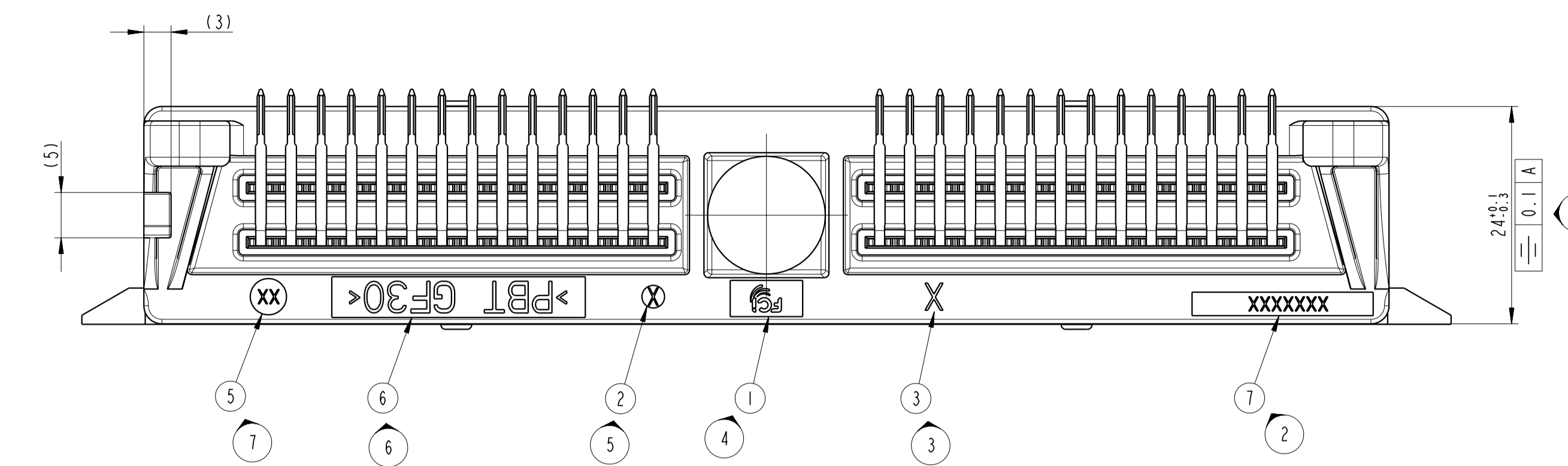
*) MEASURE MADE ON TOP BETWEEN CODING

REFERENCES AND RELATED DRAWINGS	
PACKAGING DRAWING	211 X 0036
FRONT FACE FOLLOWING INTERFACE DRAWING	7710 000 727 / C01

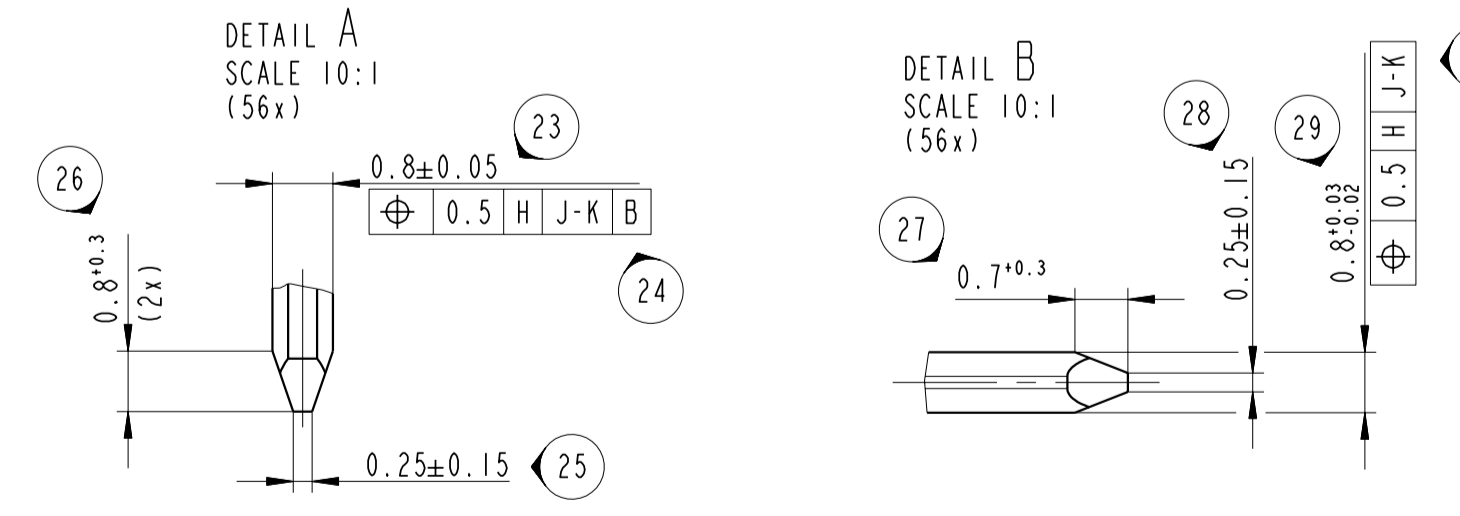
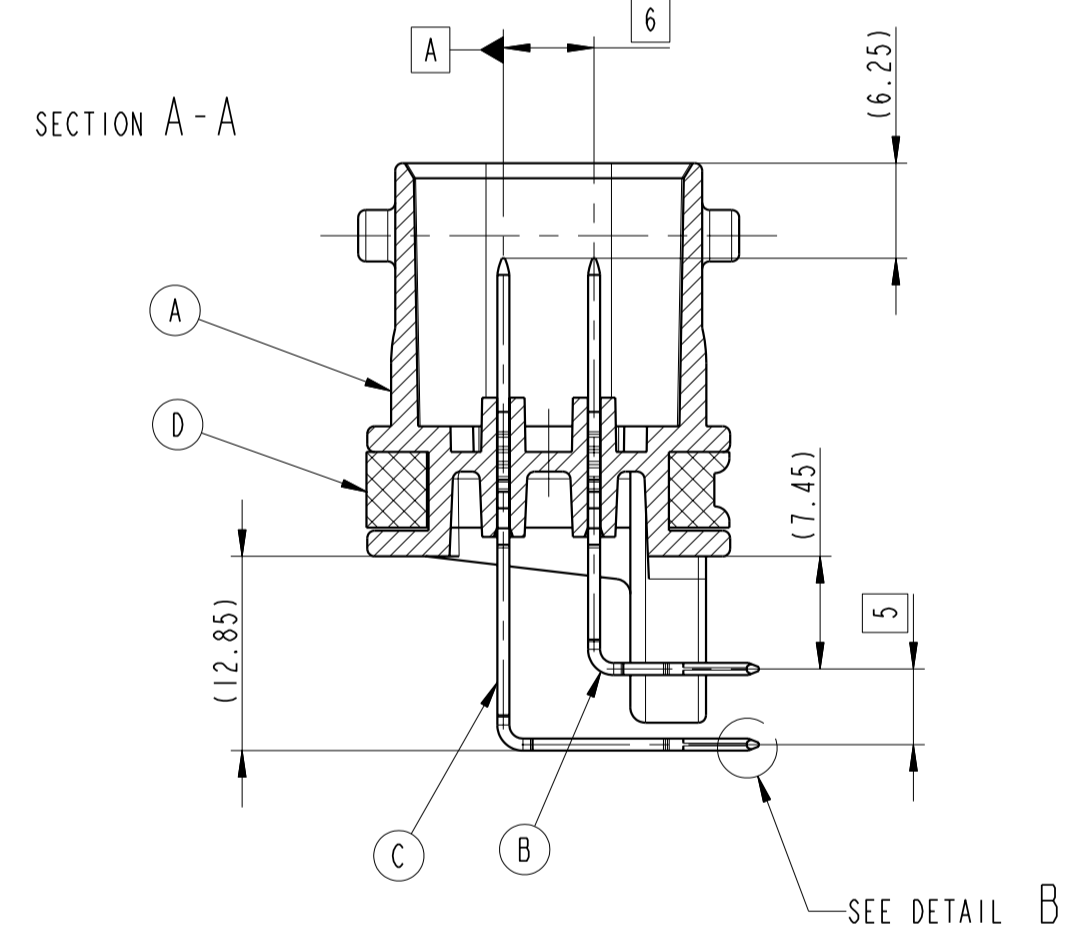
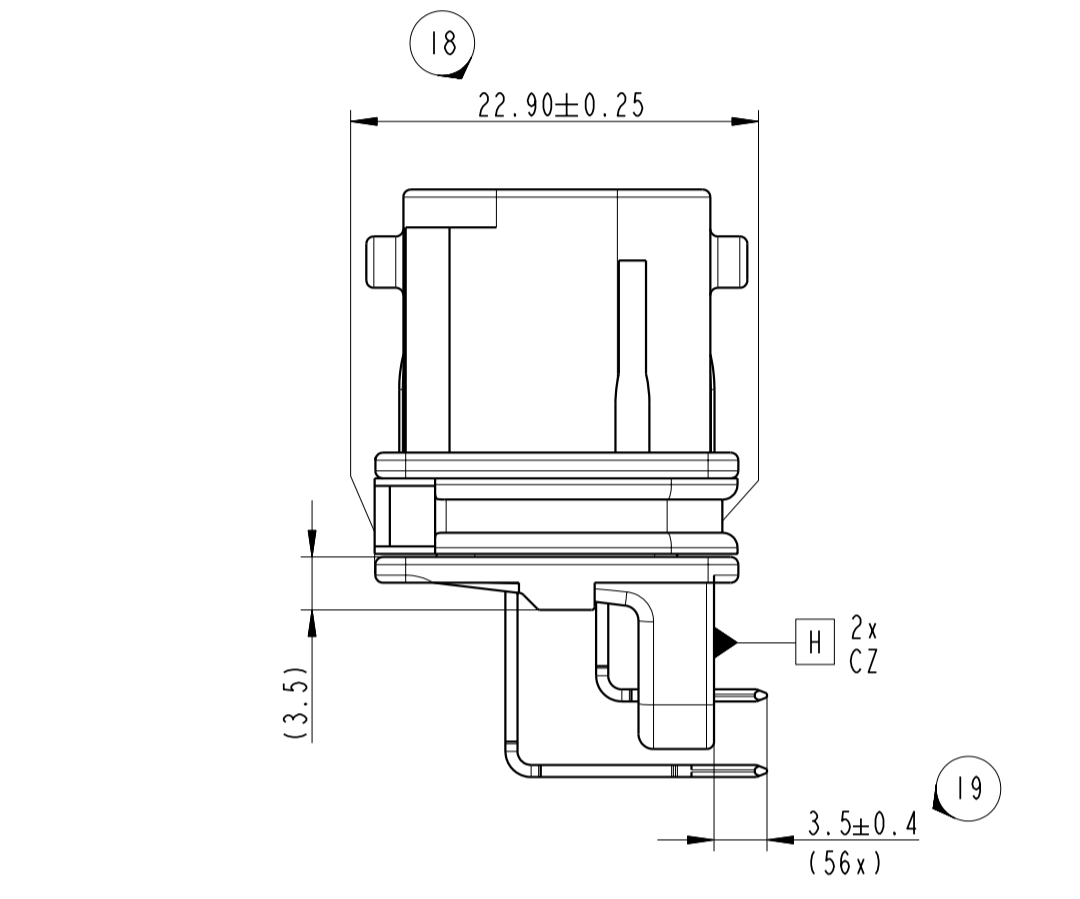
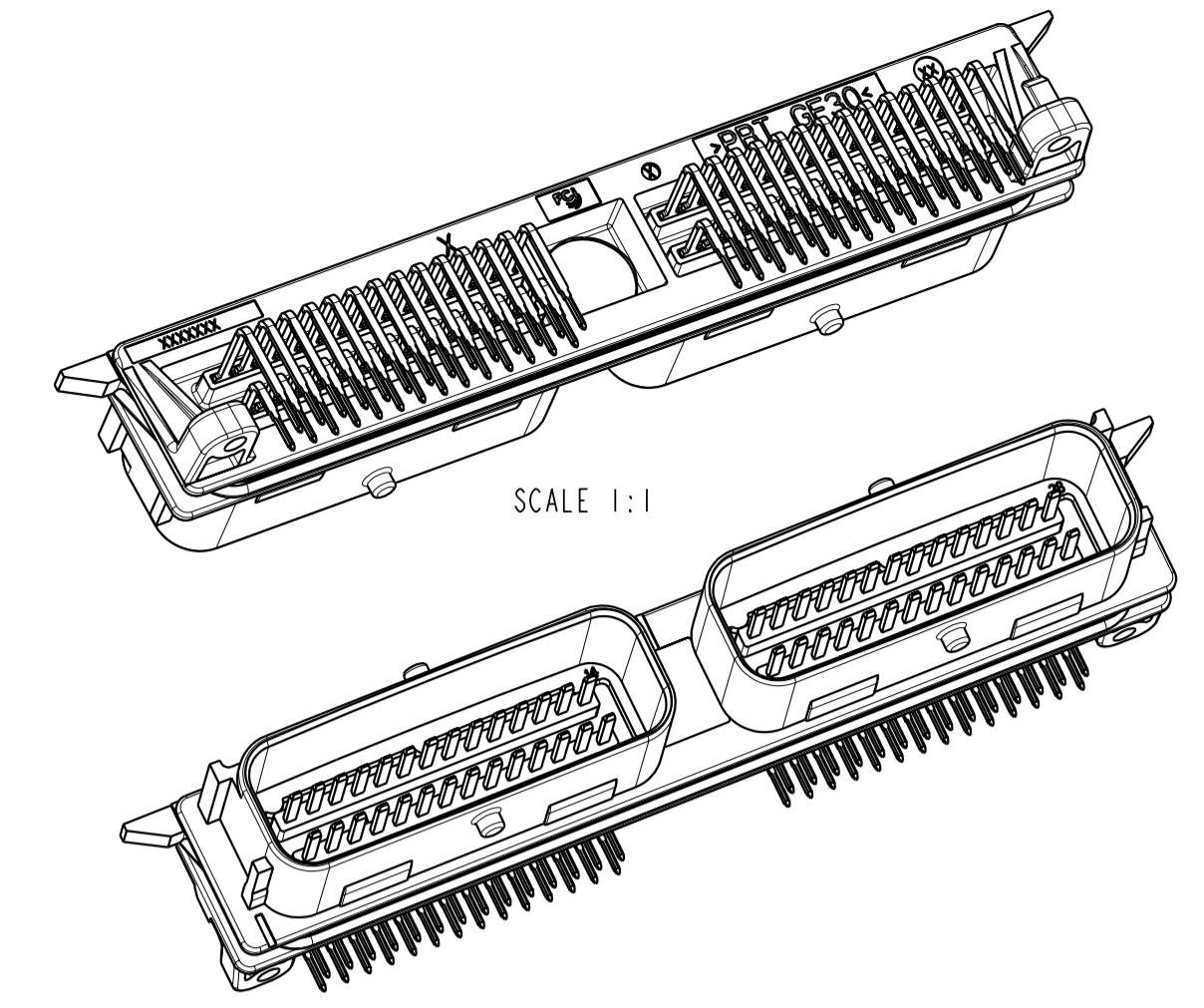
REP	MARKINGS
1	FCI LOGO
2	FCI FINISH PART REVISION INDEX
3	MOULD CAVITY NUMBER
4	PIN NUMBER
5	DATE CLOCK (YEAR - MONTH)
6	MATERIAL IDENTIFICATION
7	FCI FINISH PART NUMBER



POS.	QUANTITY	TITLE	PART NUMBER	COLOUR	MATERIAL	SURFACE PLATING
D	1	SEAL	211 M 029	GREY	SILICON 23 SHORE ±4	-
C	28	LONG PINS	S935200	-	CuZn30 R440	PRE-PLATING: 1.3-2.2 µm Ni ALL OVER
B	28	SHORT PINS	S735200	-		MATING SIDE: 2-4 µm Sn MATT (PURE TIN)
A	1	HOUSING	S045200	BLACK	PBT GF30	SOLDER SIDE: 3-6 µm Sn MATT (PURE TIN)



MEASUREMENT-PLANE MP1: DATUM A AND B AND PIN BOTTOM POSITION
 MEASUREMENT-PLANE MP2: PIN TOP POSITION
 MEASUREMENT-PLANE MP3: INTERFACE SEAL AREA GEOMETRY (FOR TACTILE MEASUREMENT, THE MEASUREMENT PLANE MAY BE CHOSEN BETWEEN 1.0 AND 2.0 mm)



12/1/09	-	PIN MATERIAL CHANGED ACC. PIN DRAWING
7/40/08	-	DIM NUMBERS ATTACHED, SPRUE POINT: CHAMFER ADDED
7/07/08	-	DESIGN OPTIMIZATION FOR MOULDING (SPRUE POINT ADDED)
4/49/08	-	FIRST ISSUE

ECK-NR.	POSITION	CHANGE DESCRIPTION
1	1	CHANGE DESCRIPTION

PRODUCT SPEC.	PACKAGING SPEC.	APPLICATION SPEC.	THIS DRAWING AND ALL OTHER INFORMATION CONTAINED THEREIN IS THE PROPERTY OF FCI. IT IS TO BE USED FOR THE SPECIFIC PART AND NOT BE REPRODUCED OR DISSEMINATED TO ANY THIRD PARTY WITHOUT THE EXPRESS WRITTEN PERMISSION OF FCI.	DATE: 12/1/09
TOLERANZEN	±0.1 ±0.2	MATERIAL: see table	OVERLAGE: see table	DATE: 12/1/09
DATE: 12/1/09	NAME: WILHELM RZANY	TITLE: 56-way Pin Header	STANDORT: GUN	DATE: 12/1/09
DATE: 12/1/09	NAME: Y. SCHWENK	TITLE: 56-way Pin Header	STANDORT: GUN	DATE: 12/1/09
DATE: 12/1/09	NAME: C. EICHERMANN	TITLE: 56-way Pin Header	STANDORT: GUN	DATE: 12/1/09
DATE: 12/1/09	NAME: C. SCHULZ	TITLE: 56-way Pin Header	STANDORT: GUN	DATE: 12/1/09

12/1/09	-	PIN MATERIAL CHANGED ACC. PIN DRAWING
7/40/08	-	DIM NUMBERS ATTACHED, SPRUE POINT: CHAMFER ADDED
7/07/08	-	DESIGN OPTIMIZATION FOR MOULDING (SPRUE POINT ADDED)
4/49/08	-	FIRST ISSUE

12/1/09	-	PIN MATERIAL CHANGED ACC. PIN DRAWING
7/40/08	-	DIM NUMBERS ATTACHED, SPRUE POINT: CHAMFER ADDED
7/07/08	-	DESIGN OPTIMIZATION FOR MOULDING (SPRUE POINT ADDED)
4/49/08	-	FIRST ISSUE

12/1/09	-	PIN MATERIAL CHANGED ACC. PIN DRAWING
7/40/08	-	DIM NUMBERS ATTACHED, SPRUE POINT: CHAMFER ADDED
7/07/08	-	DESIGN OPTIMIZATION FOR MOULDING (SPRUE POINT ADDED)
4/49/08	-	FIRST ISSUE