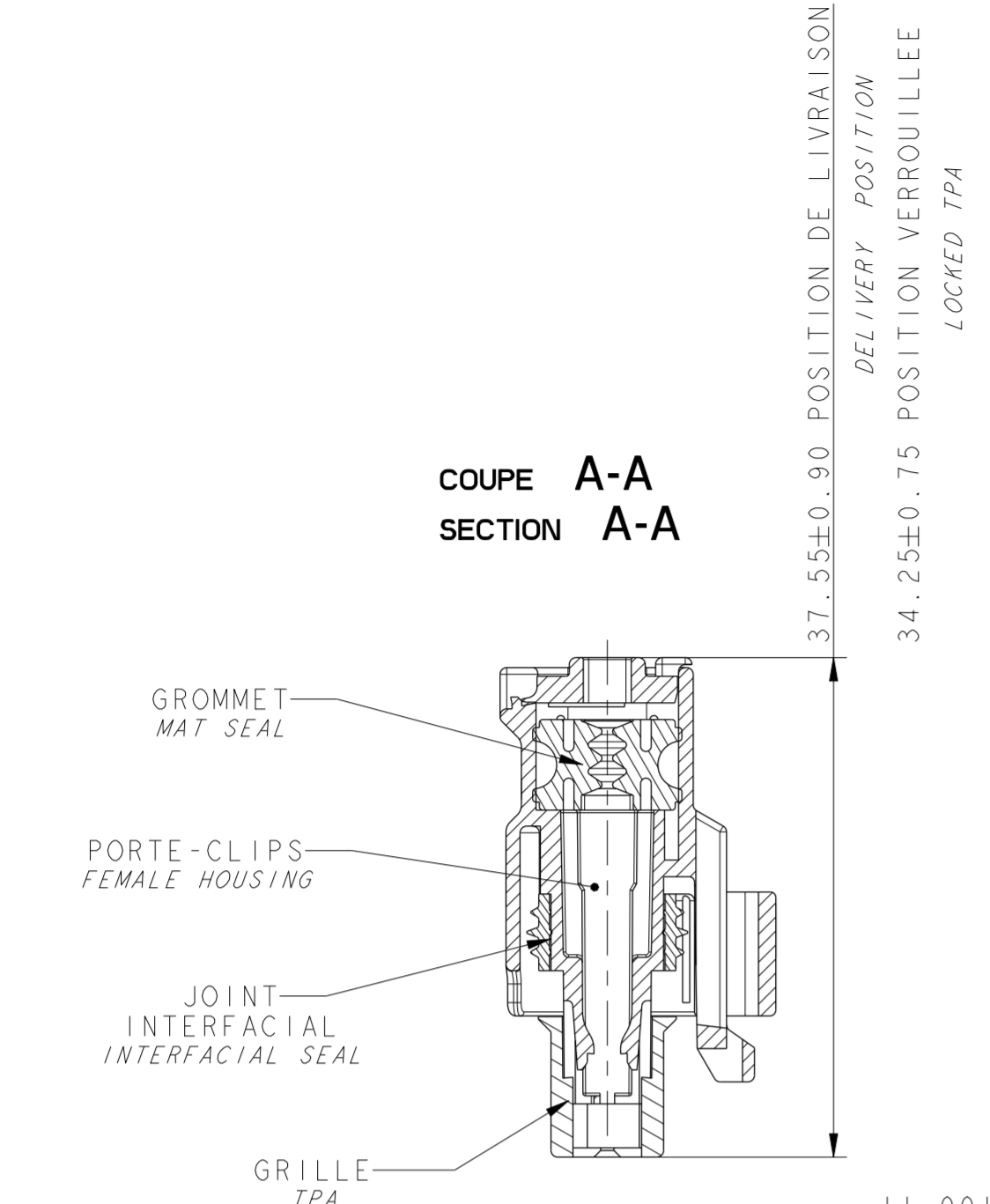
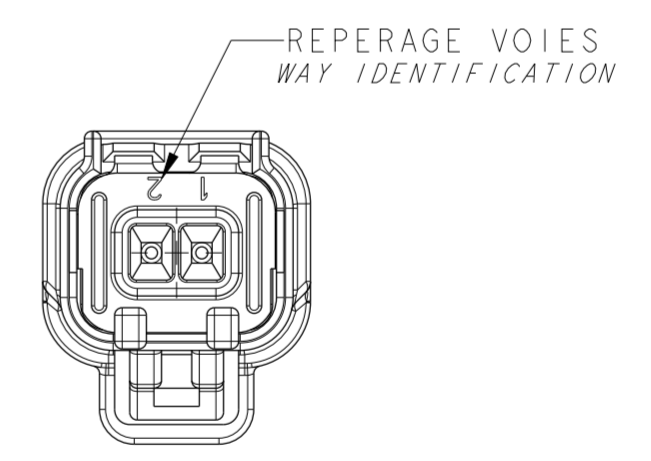
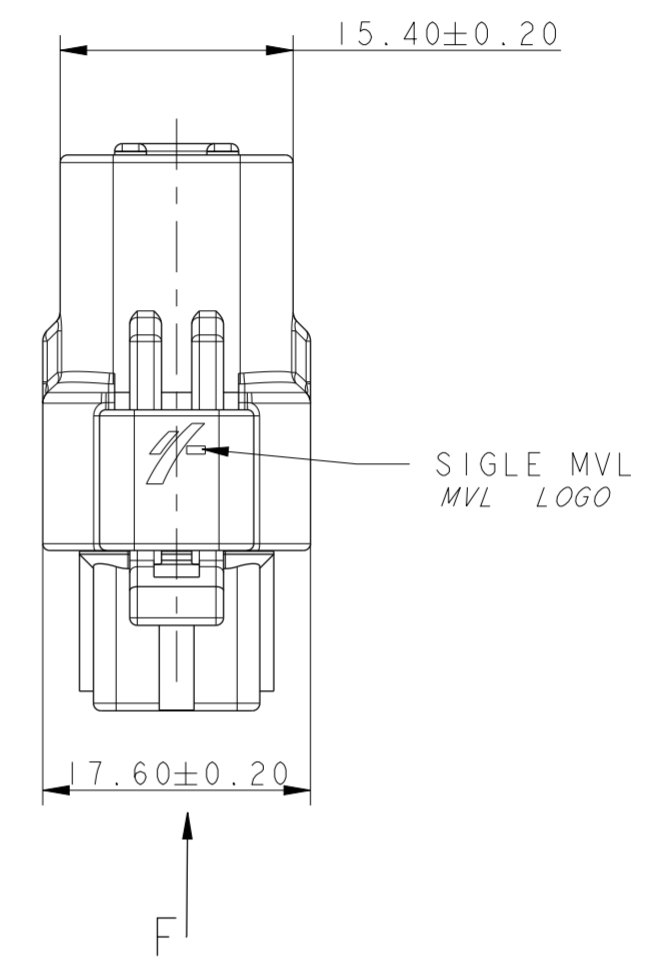
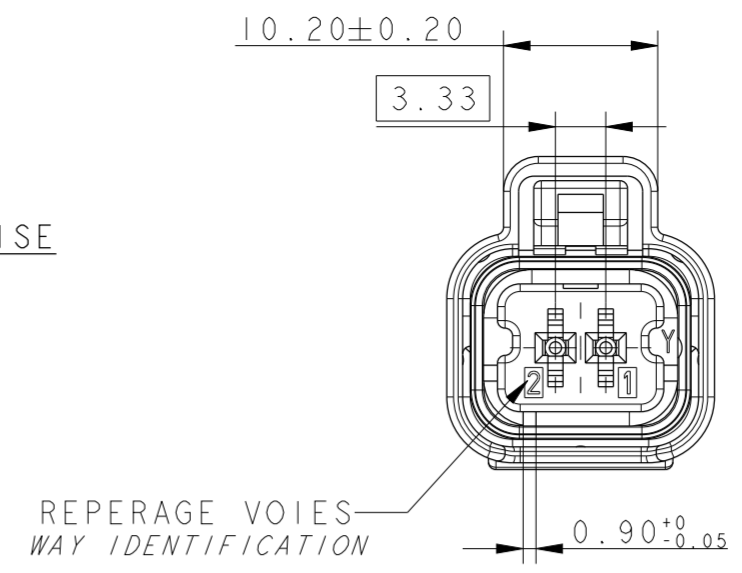
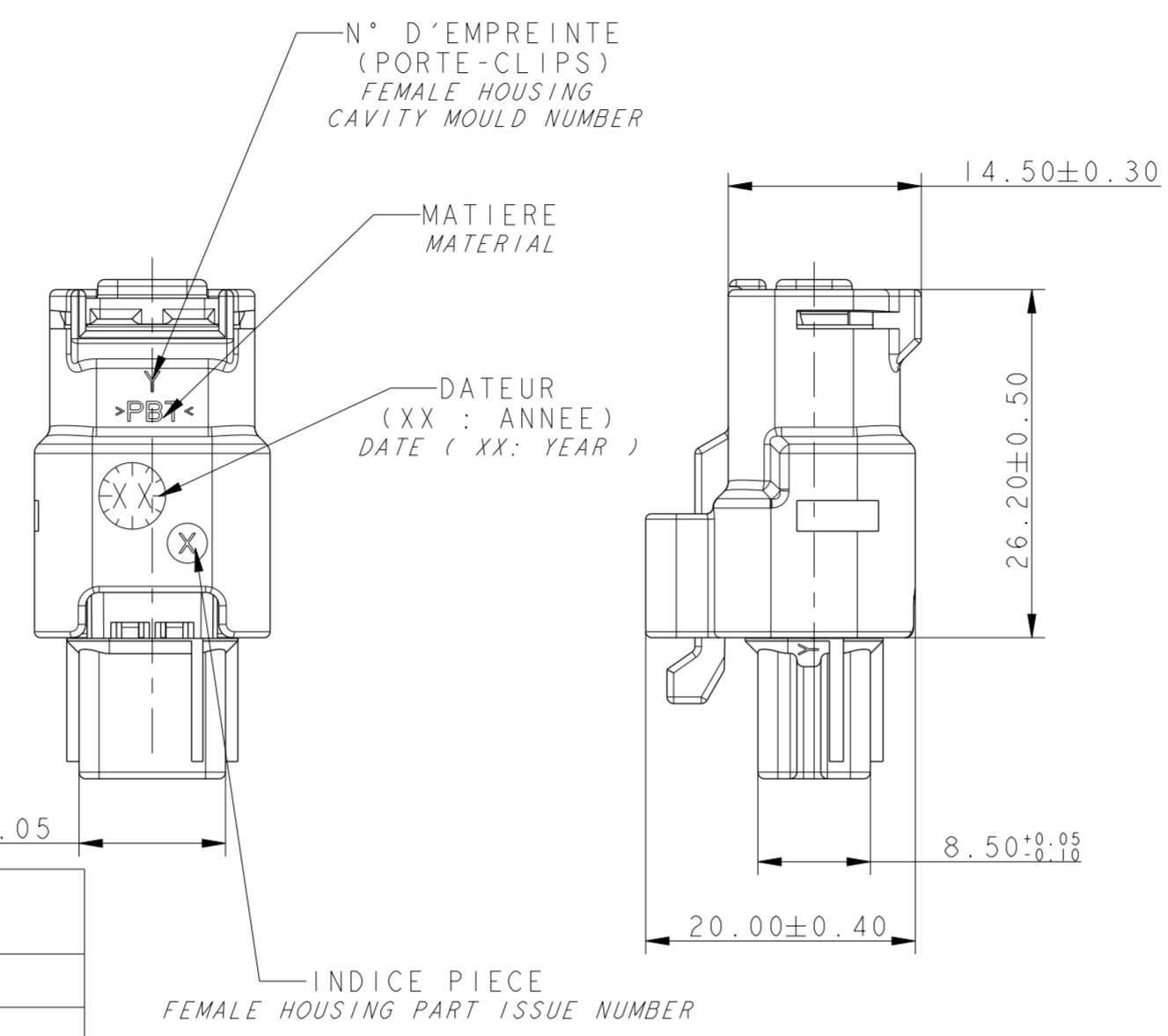


H
G
F
E
D
C
B
A



CHARNIERE DE PLAQUETTE ARRIERE ABSENTE OU CASSEE ADMISE
HINGE PLATE REAR NOT allowed or broken

DEFAUTS D'ASPECT SUR ZONES NON FONCTIONNELLES ADMIS
APPEARANCE DEFECTS ON FUNCTIONAL AREAS NOT ALLOWED



NOTA : PRECONISATION D'UTILISATION PU071
NOTE : USER'S MANUAL PU071

PORTE-CLIPS FEMALE HOUSING	211 I 0 057	PBT NON CHARGE PBT: 0% GF	NOIR BLACK
GRILLE TPA	211 M 0 100	PBT: 15% FV PBT: 15% GF	NOIR BLACK
	211 M 1 100		MARRON BROWN
	211 M 2 100		ROUGE RED
	211 M 3 100		ORANGE ORANGE
	211 M 4 100		JAUNE YELLOW
	211 M 5 100		VERT GREEN
	211 M 6 100		BLEU BLUE
	211 M 8 100		GRIS GREY
	211 M 9 100		BLANC WHITE
GROMMET MAT SEAL	211 M 108	SILICONE 30Sh A AUTOLUBRIFIE	VERT GREEN
JOINT INTERFACIAL INTERFACIAL SEAL	211 M 095	SILICONE 50Sh A 4% D'HUILE	VERT GREEN
DESIGNATION DESCRIPTION	REF. MVL MVL'S REFERENCE	MATIERE MATERIAL	COULEUR COLOUR

									VUE F VIEW F
3.85	2.95	0.25	1.55	2.50	1.15	Tolérances : ±0.05			
NOIR /BLACK	MARRON /BROWN	ROUGE /RED	ORANGE /ORANGE	JAUNE /YELLOW	VERT /GREEN	BLEU /BLUE	GRIS /GREY	BLANC /WHITE	COULEUR COLOUR
211 PC 02 2S 0 081	211 PC 02 2S 1 081	211 PC 02 2S 2 081	211 PC 02 2S 3 081	211 PC 02 2S 4 081	211 PC 02 2S 5 081	211 PC 02 2S 6 081	211 PC 02 2S 8 081	211 PC 02 2S 9 081	PART NO.
A	A	A	A	A	A	A	A	A	PART REV.
10864462	10846693	13792026	10890471	10890081	10890082	10866899	10864463	10890470	PART NO.
01	01	01	01	01	01	01	01	01	PART REV.
									DELPHI MVL

DELPHI P/N ADDED

ECN-NO. NUMERO ECN	POSITION POSITION	CHANGE DESCRIPTION MODIFICATION	
PRODUCT SPEC. SPECIF. PRODUIT	PACKAGING SPEC. SPECIF. EMBALLAGE	APPLICATION SPEC. SPECIF. APPLICATION	COPYRIGHT DELPHI CORPORATION AND/OR ITS AFFILIATES. ALL RIGHTS RESERVED. REVISED THIS DRAWING IS THE PROPERTY OF DELPHI CORPORATION AND CONTAINS DELPHI CONFIDENTIAL INFORMATION. THE REPRODUCTION, DISTRIBUTION AND UTILIZATION OF THIS DOCUMENT OR ITS RELATED CAD DATA, AS WELL AS COMMUNICATION OF ANY CONTENT TO OTHERS, WITHOUT EXPRESS AUTHORIZATION, IS PROHIBITED. CE PLAN EST LA PROPRETE DE DELPHI CORPORATION ET CONTIENT DES INFORMATIONS CONFIDENTIELLES. LA REPRODUCTION, LA DISTRIBUTION ET L'UTILISATION DE CE DOCUMENT OU DE SES DONNEES MATHEMATIQUES CAD, AINSI QUE LA COMMUNICATION DE TOUT CONTENU A AUTRUI, SANS AUTORISATION EXPRESSE, EST INTERDITE.
TOLERANCES TOLERANCES	±0.1 ±2*	MATERIAL : MATIERE :	SEE TABLE
COUNTERPART N° CONTRE-PARTIE N°		COLOUR : COULEUR :	SEE TABLE
DO NOT MEASURE DRAWING NE PAS PRENDRE DE COTES		ECO Loc. Code CODE B.E.	FE
CREATED BY CREE PAR	2000-02-24	LE CLERE	PROJECT PROJET
MODIFIED BY MODIF. PAR	2013/03/21	F FAURIE	TITLE DESIGNATION
CHECKED BY VERIF. PAR	2013/03/22	S LACOTE	2-WAY 15X08 FEMALE CONNECTOR
APPROVED BY APPR. PAR	2013/03/22	Pascal MENARD	MINI SEALED "NG" COMPLETE SHROUD
FILE NAME NOM DE FICHIER	211FT0360	ESR NO. NUMERO ESR	FRA-0920
		CAT. NO. NUMERO CAT.	
		DOCUMENT UNDER PDS CONTROL DOCUMENT GERE SOUS P.D.S. NO MODIFICATION ALLOWED OUTSIDE IPAS DE MODIFICATION EN DEHORS	

DELPHI
DELPHI PACKARD ELECTRICAL/ELECTRONIC ARCHITECTURE
EPERNON, FRANCE

C ISO PROJECTION
PROJECTION ISO

DIMENSION IN
MILLIMETERS
DIMENSIONS EN
MILLIMETRES

pro / eng.
A2
SHEET
FEUILLE
1
of 1 sur
1

DRAWING NUMBER
REF. PLAN
211FT0360

REV. IND.
C

SCALE
ECH. 1:1

EUR C04 112 F29 PDS