



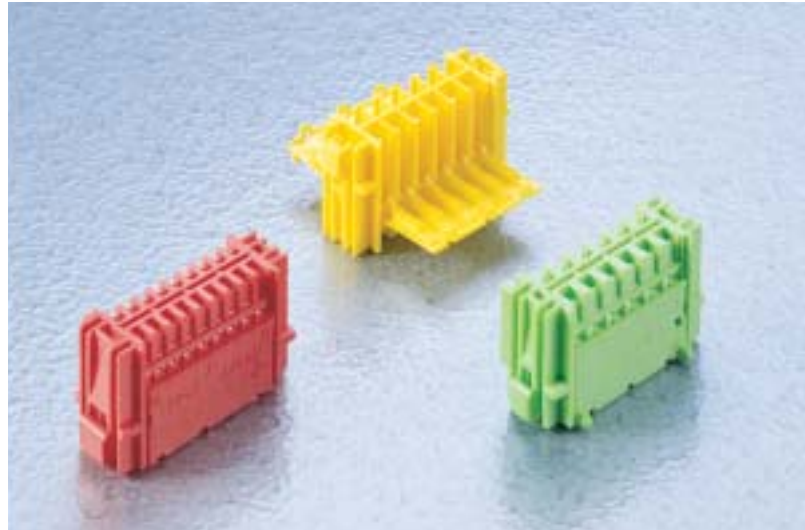
# Modular connectors

Sicma

## 60 to 90 way system: female modules for 1.5 & 2.8 mm terminals

### Features

- High density female module suitable to be integrated into a modular connector system
- Available in 18 position module (two rows) for 1.5 mm terminals at a 3.33 x 5 mm pitch and in 12 positions (two rows) for 2.8 mm terminals at a 5 x 5 mm pitch
- Terminal position assurance (T.P.A.)
- Hinge secondary lock
- Mechanical polarization
- Several colour codings available



### Performance characteristics

- Temperature range: from -40°C to +125°C
- Contact retention force: > 100 N
- Contact insertion force: < 5 N for 1.5 mm terminals < 7 N for 2.8 mm terminals

### Construction

- Housing material: PBT

### Tooling

- Terminal removal tool: 210S041

### Connector compatibility

- Usable terminals:
  - Sicma-2 1.5 mm female terminals
  - Sicma-2 2.8 mm female terminals
  - Sicma-3 1.5 mm female terminals
  - Sicma-3 2.8 mm female terminals

Part Numbers	No. of position	Terminal size	Colour
211 PC123S9004	12	2.8 mm	White
211 PC123S2004	12	2.8 mm	Red
211 PC123S4004	12	2.8 mm	Yellow
211 PC123S6004	12	2.8 mm	Blue
211 PC123S5004	12	2.8 mm	Green
211 PC123S1004	12	2.8 mm	Beige
211 PC182S9004	18	1.5 mm	White
211 PC182S2004	18	1.5 mm	Red
211 PC182S4004	18	1.5 mm	Yellow
211 PC182S6004	18	1.5 mm	Blue
211 PC182S5004	18	1.5 mm	Green
211 PC182S1004	18	1.5 mm	Beige

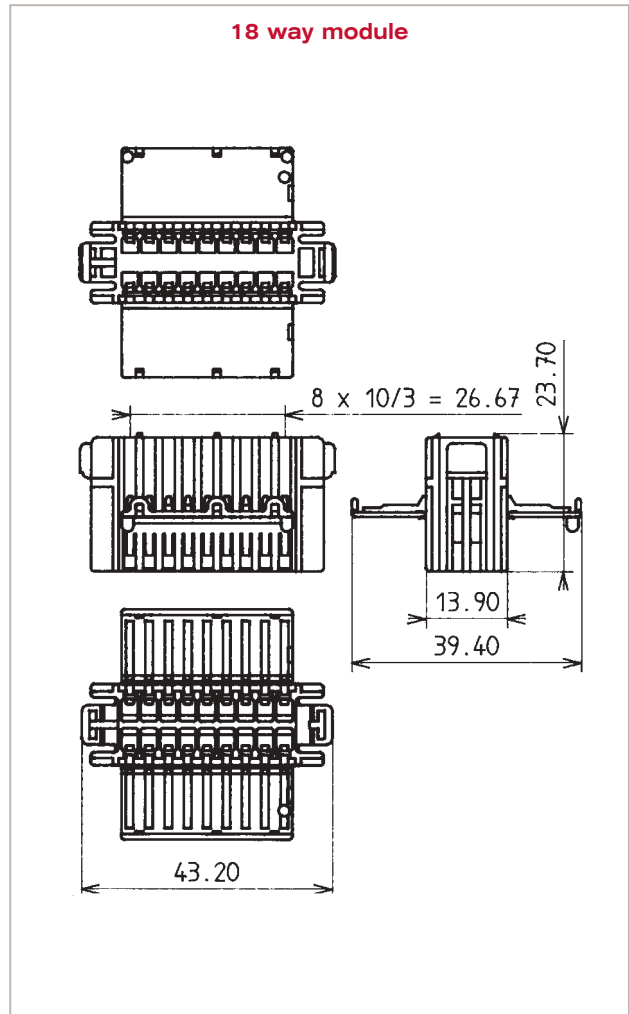
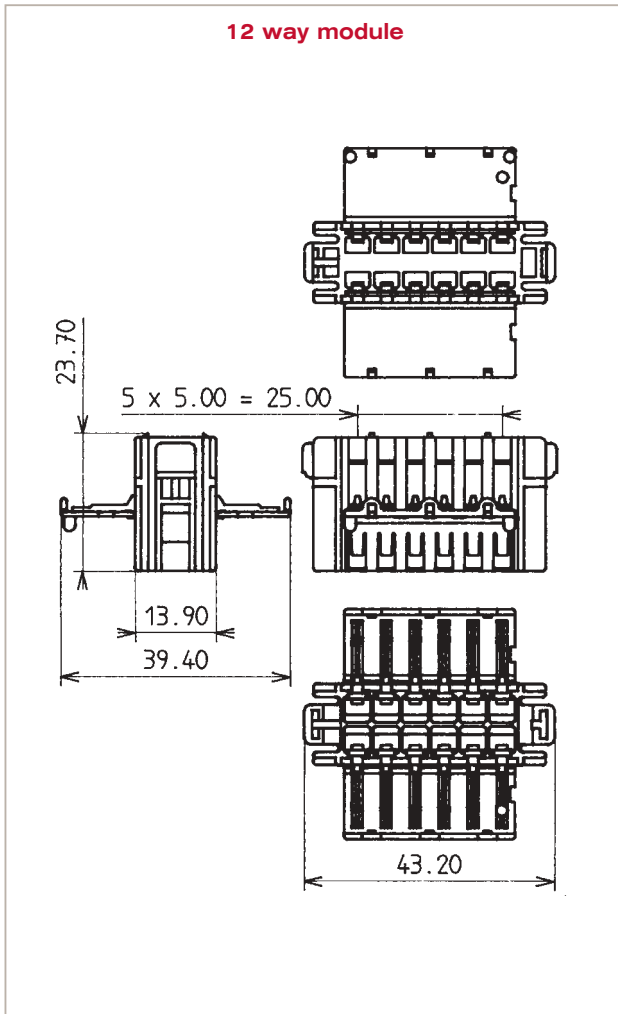


# Modular connectors

Sicma

## 60 to 90 way system: female modules for 1.5 & 2.8 mm terminals

### Dimensional characteristics



### Codings

