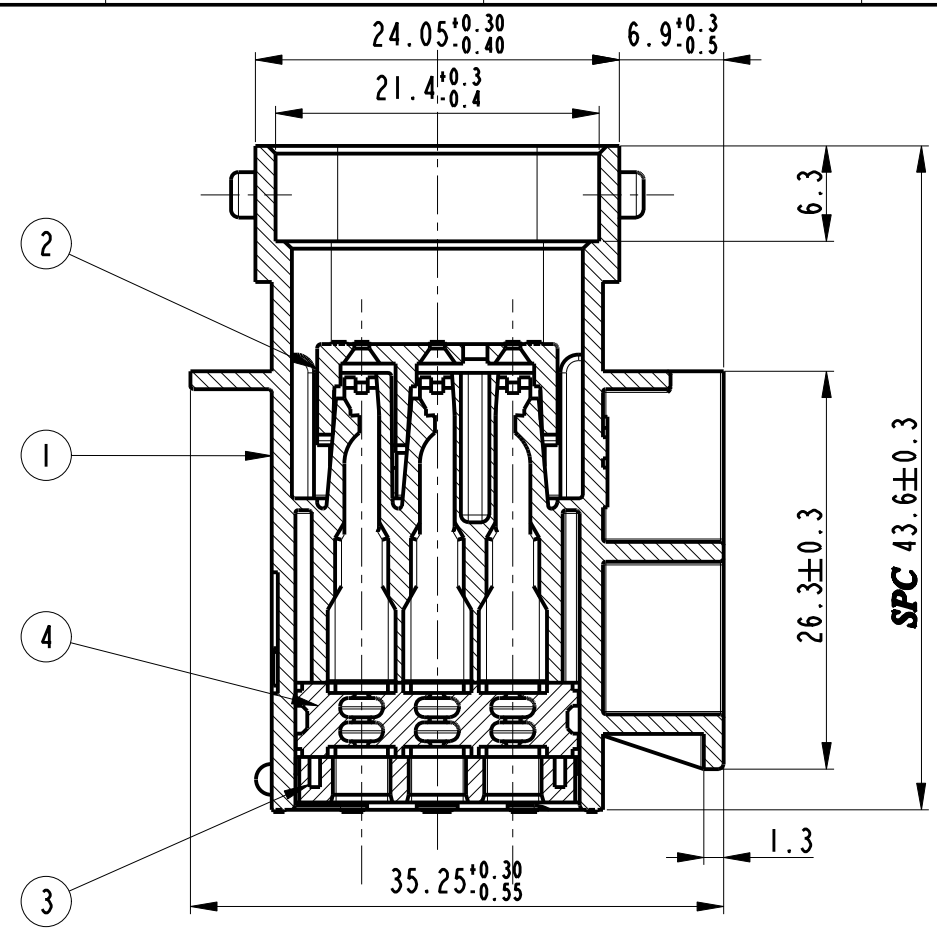
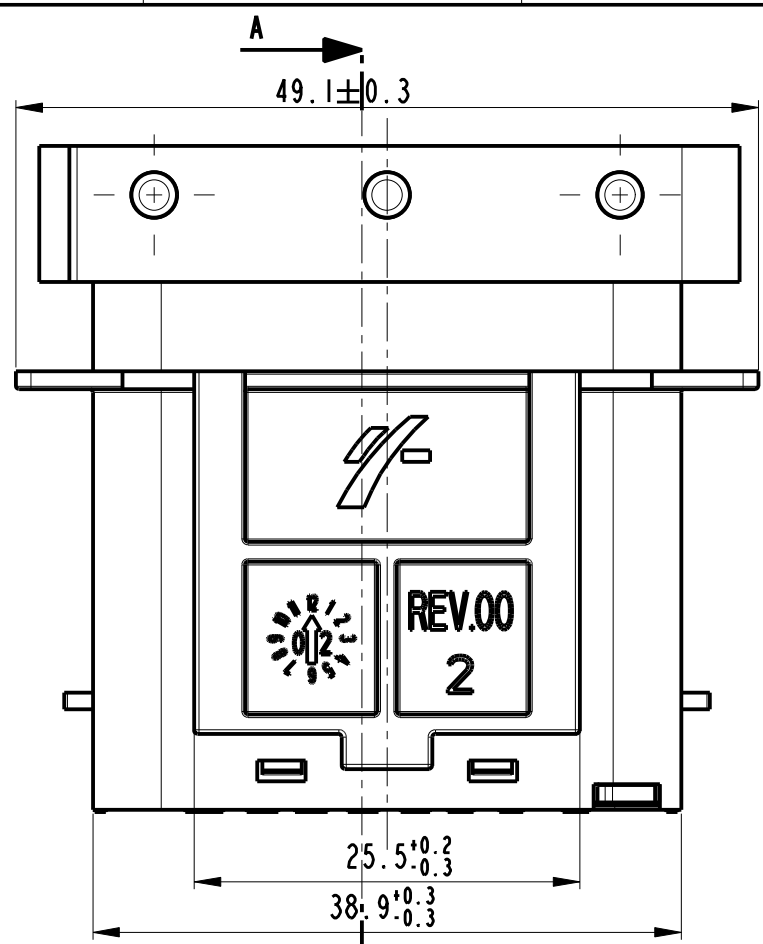
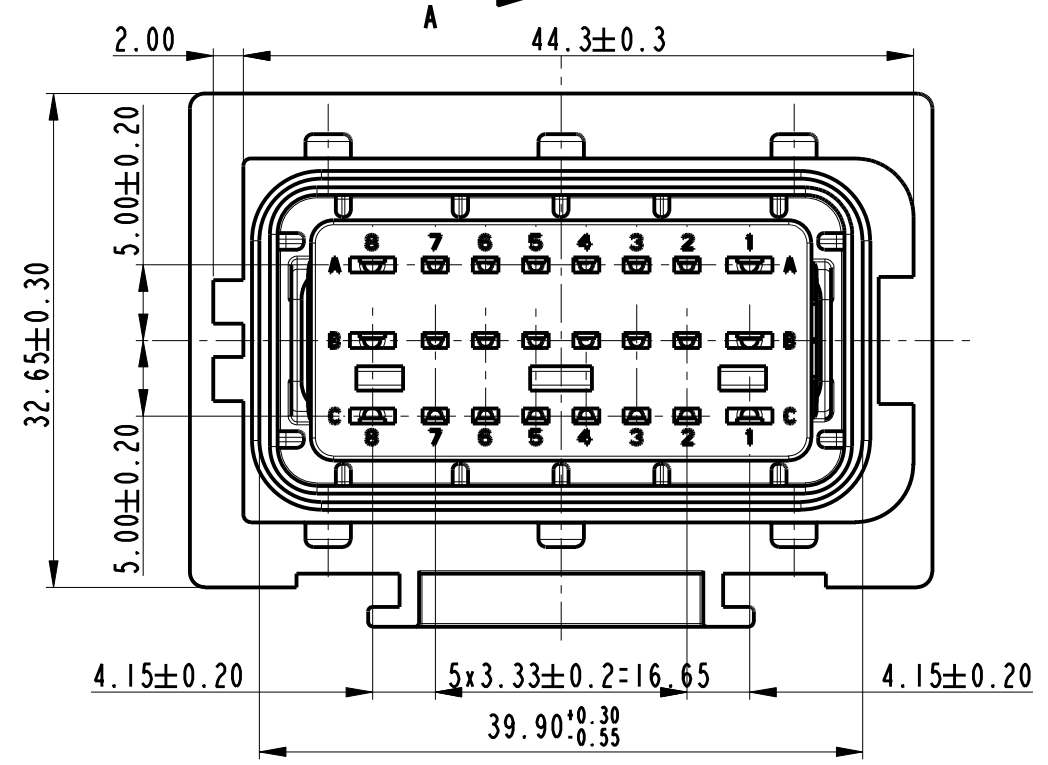


STRICTLY CONFIDENTIAL



N°	DESCRIPTION	COLOR	MATERIAL
1	HOUSING	BLACK-BROWN GREY-BLUE	PBT
2	SECONDARY LOCK GRID	YELLOW	PBT
3	GROMMET STOP	BLACK	PBT
4	GROMMET	RED, GREEN or BLUE	SILICON

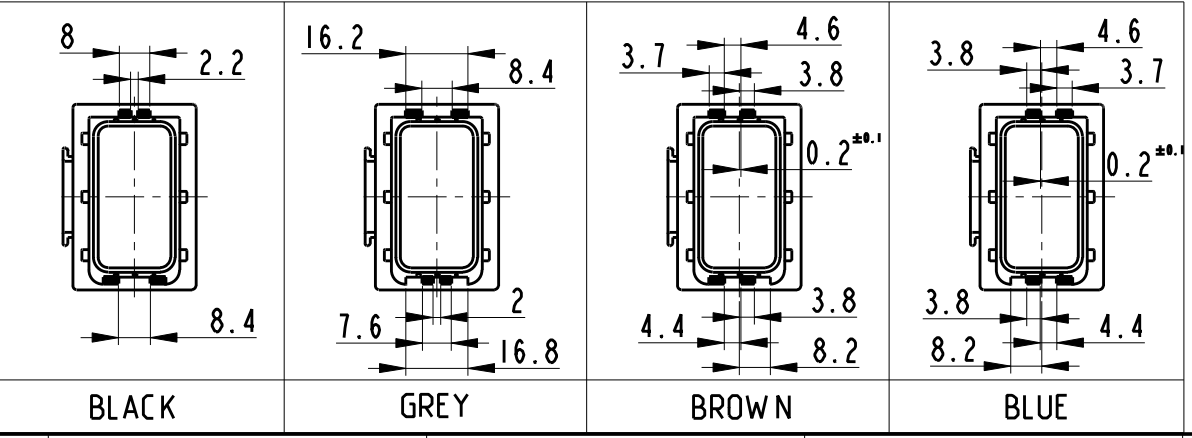


THE CATALOG NUMBERS OF THIS VERSION ARE SHOWN IN THE TABLE SHEET 2 OF 4
 I NUMERI DI CATALOGO DI QUESTA VERSIONE SONO ELENCATI SULLA TABELLA FOGLIO 2 DI 4

SPC Statistical Process Control

ECN-NO. / NUMERO -ECN	DATE / DATA	REVISION / REVISIONE	POSITION / POSIZIONE	CHANGE DESCRIPTION / DESCRIZIONE MODIFICA	DRAWN BY / DISEGNATORE	CHK. BY / CONTROLLATO	APPR. BY / APPROVATO
14-10942	28-11-2014	A		Deleted obsolete P/Ns and updated format	F.G.		M.C.
ECN 41/03	05-11-2003	07		RELEASED FOR PRODUCTION	R.R.	G.S.	
	30-10-2003	06		UPDATED DRAWING	R.R.	G.S.	
	21-10-2003	05		SHEET 1 OF 4 CHANGE SPC DIMENSION FROM 43.9 ±0.3 · 0.5 TO 43.6 ±0.3	R.R.	G.S.	
	01-09-2003	04		MODIFIED MATERIAL FOR THE FOLLOWING P/N 211PL249SX020 - 211PL249SX023 - 211PL249SX033 WAS PA6 GF 1S PBT GF	R.R.	G.S.	
	28-05-2003	03		ADDED P/N 211PL249SX043	R.R.	G.S.	
	21-01-2003	02		UPDATED DRAWING	R.R.	G.S.	
	15-01-2003	01		Added sheets 3 of 4 and 4 of 4	R.R.	G.S.	

CODING TABLE
 Tavola di codifica
TOLERANCES ±0.2
 Tolleranze
FRONT VIEW
 Vista frontale
 ■: FULL
 Pieno
COLOR



PRODUCT SPEC. SPEC. DI PRODOTTO
 PACKAGING SPEC. SPEC. DI IMBALLAGGIO
 APPLICATION SPEC. SPEC. DI APPLICAZIONE
 COPYRIGHT DELPHI CORPORATION AND/OR ITS AFFILIATES. ALL RIGHTS RESERVED. REVISED THIS DRAWING IS THE PROPERTY OF DELPHI CORPORATION. THE REPRODUCTION, DISTRIBUTION AND UTILIZATION OF THIS DOCUMENT OR ITS RELATED CAD MATH DATA, AS WELL AS COMMUNICATION OF ANY CONTENT TO OTHERS, WITHOUT EXPRESS AUTHORIZATION IS PROHIBITED. QUESTO DISEGNO E' PROPRIETA' DI DELPHI CORPORATION E CONTIENE INFORMAZIONI CONFIDENZIALI. LA RIPRODUZIONE, DISTRIBUZIONE E UTILIZZAZIONE DI QUESTO DOCUMENTO O DELLE SUE RELATIVE MATEMATICHE CAD, NONCHE LA COMUNICAZIONE DI QUALSIASI CONTENUTO AD ALTRI, SENZA ESPlicita AUTORIZZAZIONE, E' PROIBITA.

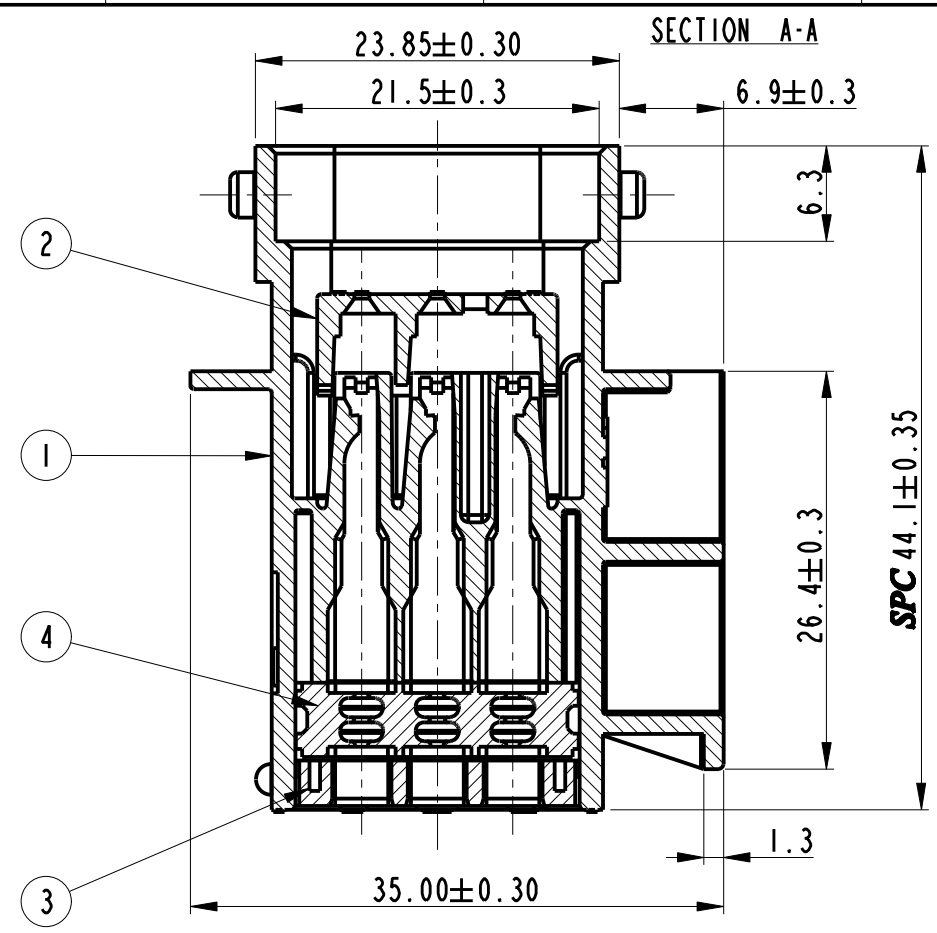
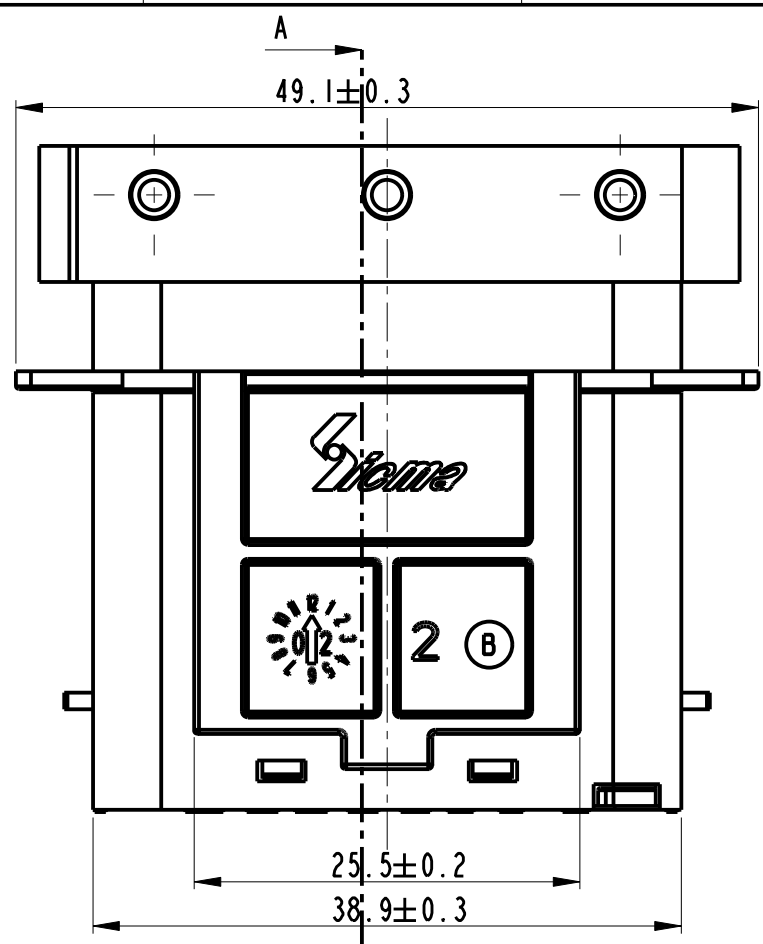
TOLERANCES TOLLERANZE ± 0.2mm. / ± 0.5°
 COUNTERPART Nr. CONTROPARTE Nr.
 MATERIAL: MATERIALE: SEE TABLE
 COLOUR: COLORE: SEE TABLE
 TOOL NO. -
 SURFACE FINISH FINITURA SUPERFICIALE -
DELPHI
 DELPHI PACKARD ELECTRICAL/ELECTRONIC ARCHITECTURE
 TORINO, ITALY
 CAD SYSTEM pro / eng.
 DIMENSION IN MILLIMETERS DIMENSIONI IN MILLIMETRI
 ISO PROJECTION PROIEZIONE ISO
 DRAWING NUMBER NUMERO DISEGNO FSC 309590
 SHEET FOGLIO 1 of 1 di 4
 DO NOT SCALE DRAWING DISEGNO FUORI SCALA
 DATE DATA 04-12-02
 NAME NOME W. Morbidelli
 TITLE DESCRIZIONE 24 WAY SECTIONING ASSEMBLY MALE HOLDER
 DRAWN BY DISEGNATORE
 CHECKED BY CONTROLLATO
 APPROVED BY APPROVATO 04-12-02 I. Cirriello
 ESR NO. NUMERO ESR
 CAT. NO. NUMERO CAT. ITA 2043
 FILE NAME NONE FILE
 SCALE SCALA 2:1

**STRICTLY
CONFIDENTIAL**

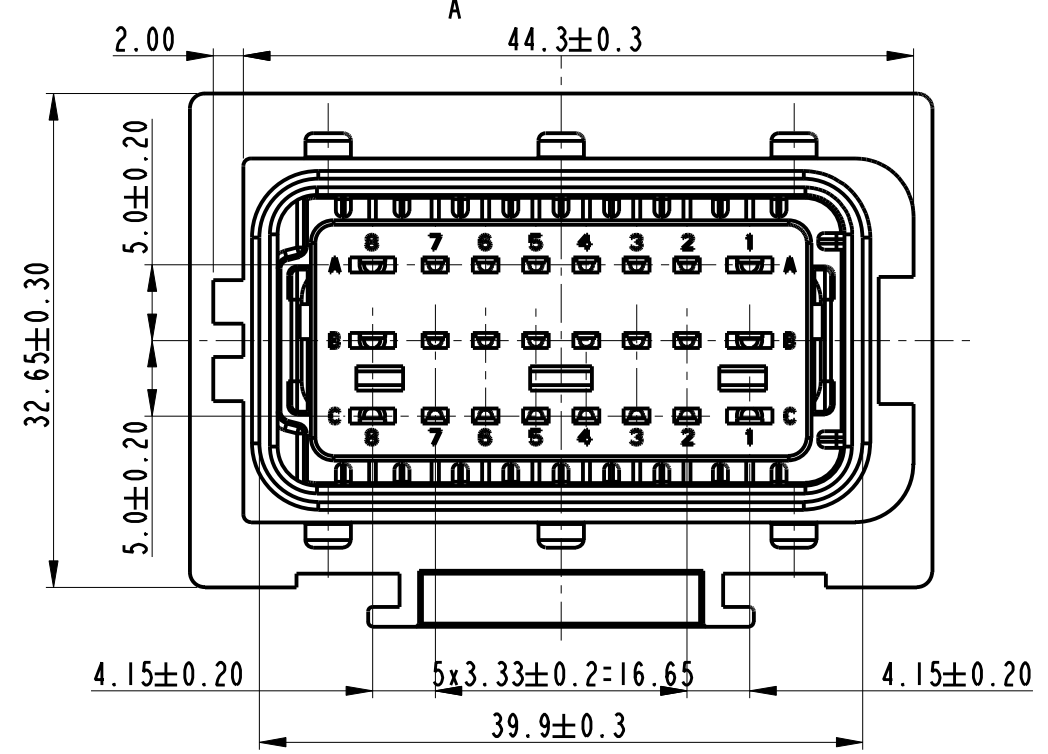
MVL P/Ns DELHPI P/Ns	COMPONENTS						
	HOUSING	HOUSING MATERIAL	SEC. LOCK	GROMMET "RED"	GROMMET "GREEN"	GROMMET "BLUE"	GROMMET STOP
2I1PL249S0020 33500326 Rev0I	Black	PBT	Yes				
2I1PL249S8020 33503783 Rev0I	Grey	PBT	Yes				
2I1PL249S0023 15396450 Rev0I	Black	PBT	Yes	Yes			Yes
2I1PL249S0033 15470023 Rev0I B	Black	PBT	Yes		Yes		Yes
2I1PL249SI033 13949170 Rev0I	Brown	PBT	Yes		Yes		Yes
2I1PL249S6033 33500327 Rev0I	Blue	PBT	Yes		Yes		Yes
2I1PL249S8033 13949173 Rev0I	Grey	PBT	Yes		Yes		Yes

14-10942	28-11-2014	A		Deleted obsolete P/Ns and updated format	F.G	M.C.		
ECN 41/03	05-11-2003	07		RELEASED FOR PRODUCTION	R.R G.S.			
	30-10-2003	06		UPDATED DRAWING	R.R G.S.			
	21-10-2003	05		SHEET 1 OF 4 CHANGE SPC DIMENSION FROM 43.9 ±0.3 · 0.5 TO 43.6 ±0.3	R.R G.S.			
	01-09-2003	04		MODIFIED MATERIAL FOR THE FOLLOWING P/N 2I1PL249SX020 - 2I1PL249SX023 - 2I1PL249SX033 WAS PA6 GF 1S PBT GF	R.R G.S.			
	28-05-2003	03		ADDED P/N 2I1PL249SX043	R.R G.S.			
	21-03-2003	02		UPDATED DRAWING	R.R G.S.			
	15-01-2003	01		Added sheet 3 of 4 and sheet 4 of 4	R.R G.S.			
ECN-NO. NUMERO -ECN	DATE DD / MM / YY DATA	REVISION REVISIONE	POSITION POSIZIONE	CHANGE DESCRIPTION DESCRIZIONE MODIFICA	DRAWN BY DISEGNATORE	CHK. BY CONTROLLATO	APPR. BY APPROVATO	
PRODUCT SPEC. SPEC. DI PRODOTTO	PACKAGING SPEC. SPEC. DI IMBALLAGGIO	APPLICATION SPEC. SPEC. DI APPLICAZIONE	COPYRIGHT DELPHI CORPORATION AND/OR ITS AFFILIATES. ALL RIGHTS RESERVED. REVISED THIS DRAWING IS THE PROPERTY OF DELPHI CORPORATION. THE REPRODUCTION, DISTRIBUTION AND UTILIZATION OF THIS DOCUMENT OR ITS RELATED CAD MATH DATA, AS WELL AS COMMUNICATION OF ANY CONTENT TO OTHERS, WITHOUT EXPRESS AUTHORIZATION IS PROHIBITED.				QUESTO DISEGNO E' PROPRIETA' DI DELPHI CORPORATION E CONTIENE INFORMAZIONI CONFIDENZIALI. LA RIPRODUZIONE, DISTRIBUZIONE E UTILIZZAZIONE DI QUESTO DOCUMENTO O DELLE SUE RELATIVE MATEMATICHE CAD, NONCHE LA COMUNICAZIONE DI QUALSIASI CONTENUTO AD ALTRI, SENZA ESPlicitA AUTORIZZAZIONE, E PROIBITA	
TOLERANCES TOLLERANZE	± 0.2mm. / ±0.5°	MATERIAL : MATERIALE :	SEE TABLE	SURFACE FINISH FINITURA SUPERFICIALE	DELPHI DELPHI PACKARD ELECTRICAL/ELECTRONIC ARCHITECTURE TORINO, ITALY		CAD SYSTEM	
COUNTERPART Nr. CONTROPARTE Nr.		COLOUR : COLORE :	SEE TABLE		C ISO PROJECTION PROIEZIONE ISO		DWG SIZE FORMATO	
DO NOT SCALE DRAWING DISEGNO FUORI SCALA		TOOL NO.		LOC. CODE NAZIONALITA'	IT		A3	
DRAWN BY DISEGNATORE	DATE DATA	NAME NOME	TITLE DESCRIZIONE	DRAWING NUMBER NUMERO DISEGNO		SHEET FOGLIO		
CHECKED BY CONTROLLATO	04-12-02	N. MORBIDELLI	24 WAY SECTIONING ASSEMBLY MALE HOLDER	FSC 309590		2 of 1 di 4		
APPROVED BY APPROVATO	04-12-02	T. CIRIELLO	ESR NO. NUMERO ESR	CAT. NO. NUMERO CAT.	FILE NAME NOME FILE	SCALE SCALA		
			ITA 2043	SEE TABLE	FSC309590	2:1		

STRICTLY CONFIDENTIAL



N°	DESCRIPTION	COLOR	MATERIAL
1	HOUSING	BLACK-BROWN GREY-BLUE	PBT - PA 6
2	SECONDARY LOCK GRID	YELLOW	PBT
3	GROMMET STOP	BLACK	PBT
4	GROMMET	RED, GREEN or BLUE	SILICON

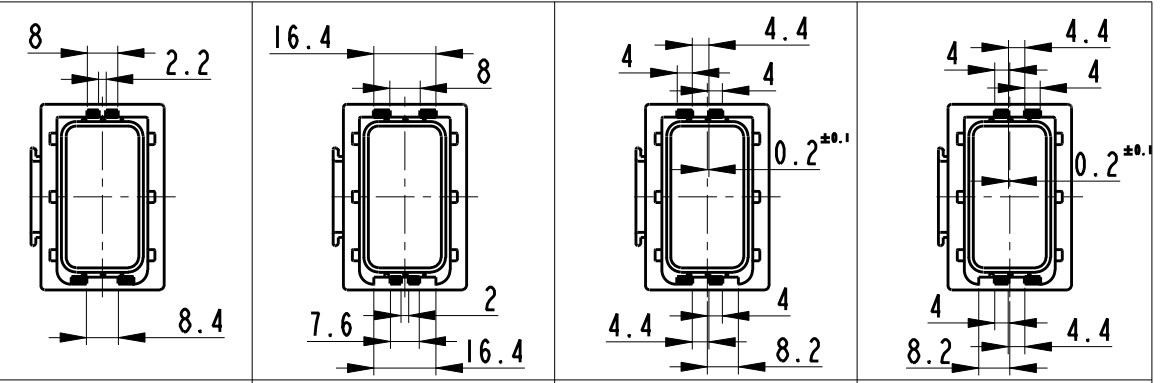


**THE CATALOG NUMBERS OF THIS VERSION ARE SHOWN IN THE TABLE SHEET 4 OF 4
 I NUMERI DI CATALOGO DI QUESTA VERSIONE SONO ELENCATI SULLA TABELLA FOGLIO 4 DI 4**

SPC Statistical Process Control

ECN-NO. / NUMERO -ECN	DATE / DATA	REVISION / REVISIONE	POSITION / POSIZIONE	CHANGE DESCRIPTION / DESCRIZIONE MODIFICA	DRAWN BY / DISEGNATORE	CHK. BY / CONTROLLATO	APPR. BY / APPROVATO
14-10942	28-11-2014	A		Deleted obsolete P/Ns and updated format	F.G.		M.C.
ECN 41/03	05-11-2003	07		RELEASE FOR PRODUCTION	R.R.	G.S.	
	30-10-2003	06		UPDATED DRAWING	R.R.	G.S.	
	21-10-2003	05		SHEET 1 OF 4 CHANGE SPC DIMENSION FROM 43.9 ±0.3 · 0.5 TO 43.6 ±0.3	R.R.	G.S.	
	01-09-2003	04		MODIFIED MATERIAL FOR THE FOLLOWING P/N 211PL249SX020 - 211PL249SX023 - 211PL249SX033 WAS PA6 GF 1S PBT GF	R.R.	G.S.	
	28-05-2003	03		ADDED P/N 211PL249SX043	R.R.	G.S.	
	21-03-2003	02		UPDATED DRAWING	R.R.	G.S.	
	15-01-2003	01		Added sheets 3 of 4 and 4 of 4	R.R.	G.S.	

CODING TABLE
 Tavola di codifica
TOLERANCES ±0.2
 Tolleranze
FRONT VIEW
 Vista frontale
 ■: FULL
 Pieno



COLOR **BLACK** **GREY** **BROWN** **BLUE**

PRODUCT SPEC. SPEC. DI PRODOTTO PACKAGING SPEC. SPEC. DI IMBALLAGGIO APPLICATION SPEC. SPEC. DI APPLICAZIONE COPYRIGHT DELPHI CORPORATION AND/OR ITS AFFILIATES. ALL RIGHTS RESERVED. REVISED THIS DRAWING IS THE PROPERTY OF DELPHI CORPORATION. THE REPRODUCTION, DISTRIBUTION AND UTILIZATION OF THIS DOCUMENT OR ITS RELATED CAD MATH DATA, AS WELL AS COMMUNICATION OF ANY CONTENT TO OTHERS, WITHOUT EXPRESS AUTHORIZATION IS PROHIBITED.

TOLERANCES TOLLERANZE ± 0.2mm / ±0.2^{±0.1} MATERIAL: MATERIALE: SURFACE FINISH FINITURA SUPERFICIALE

COUNTERPART Nr. CONTROPARTE Nr. SEE TABLE SEE TABLE **DELPHI** DELPHI PACKARD ELECTRICAL/ELECTRONIC ARCHITECTURE TORINO, ITALY CAD SYSTEM pro / eng.

DO NOT SCALE DRAWING DISEGNO FUORI SCALA TOOL NO. LOC. CODE NAZIONALITA' IT **C** ISO PROJECTION PROIEZIONE ISO DIMENSION IN MILLIMETERS DIMENSIONI IN MILLIMETRI DWG SIZE FORMATO A3

DRAWN BY DISEGNATORE: 13-01-03 W. Morbidelli TITLE DESCRIZIONE: 24 WAY SECTIONING ASSEMBLY MALE HOLDER DRAWING NUMBER NUMERO DISEGNO: FSC 309590 SHEET FOGLIO: 3 of 4

CHECKED BY CONTROLLATO: 13-01-03 T. Ciriello ESR NO. NUMERO ESR: ITA 2043 CAT. NO. NUMERO CAT.: SEE TABLE SHEET 4 FILE NAME NOME FILE: FSC309590 SCALE SCALA: 2:1