

4

3

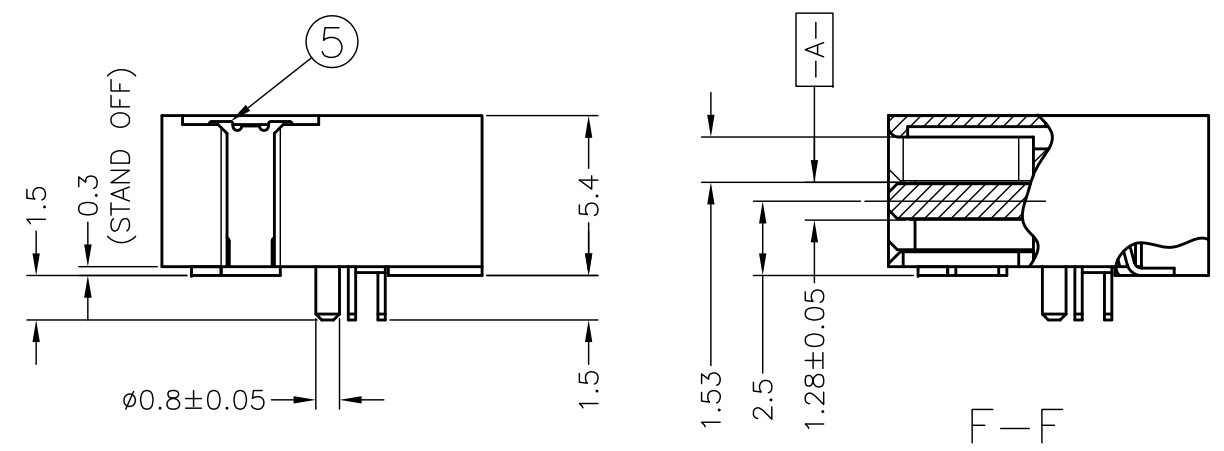
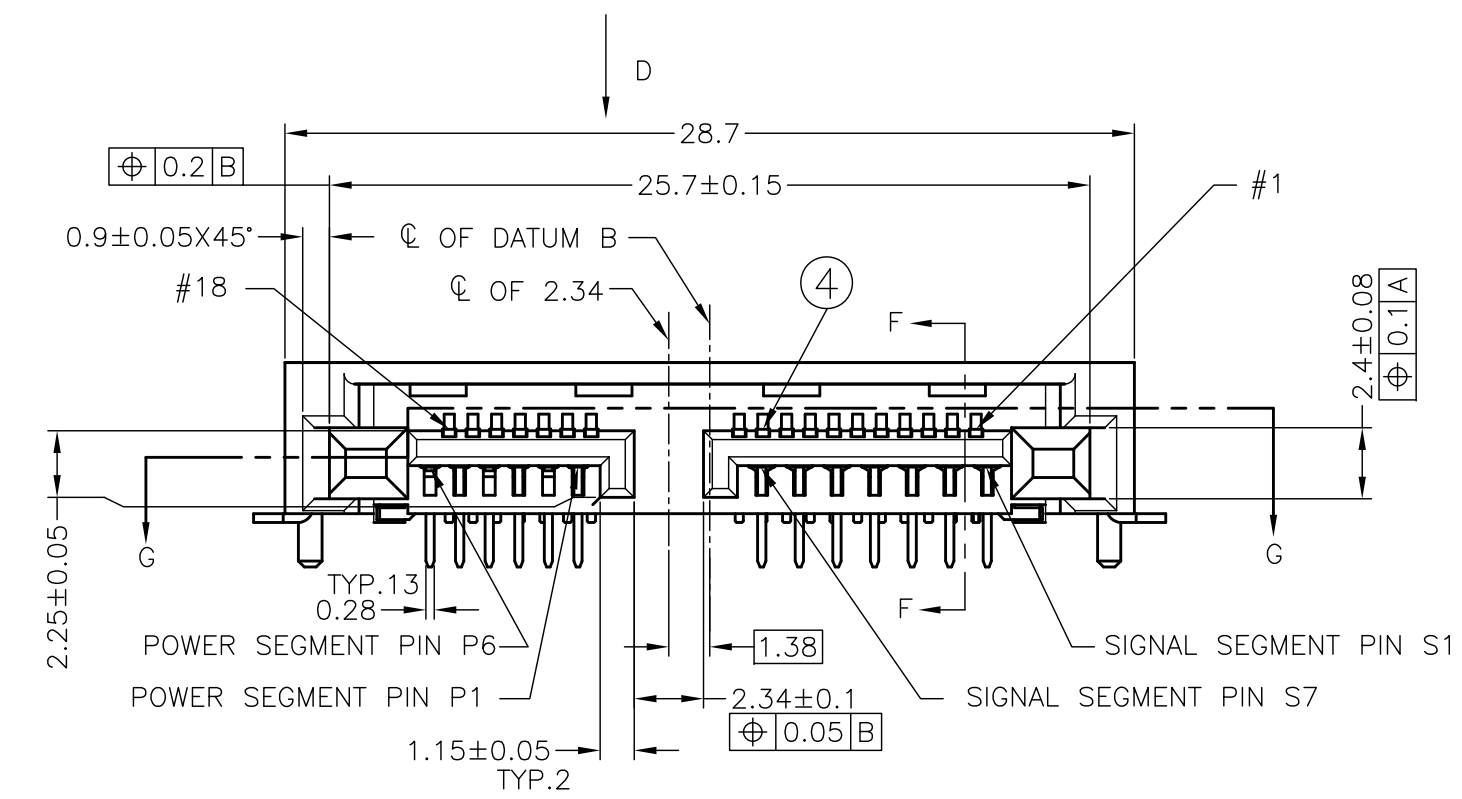
2

1

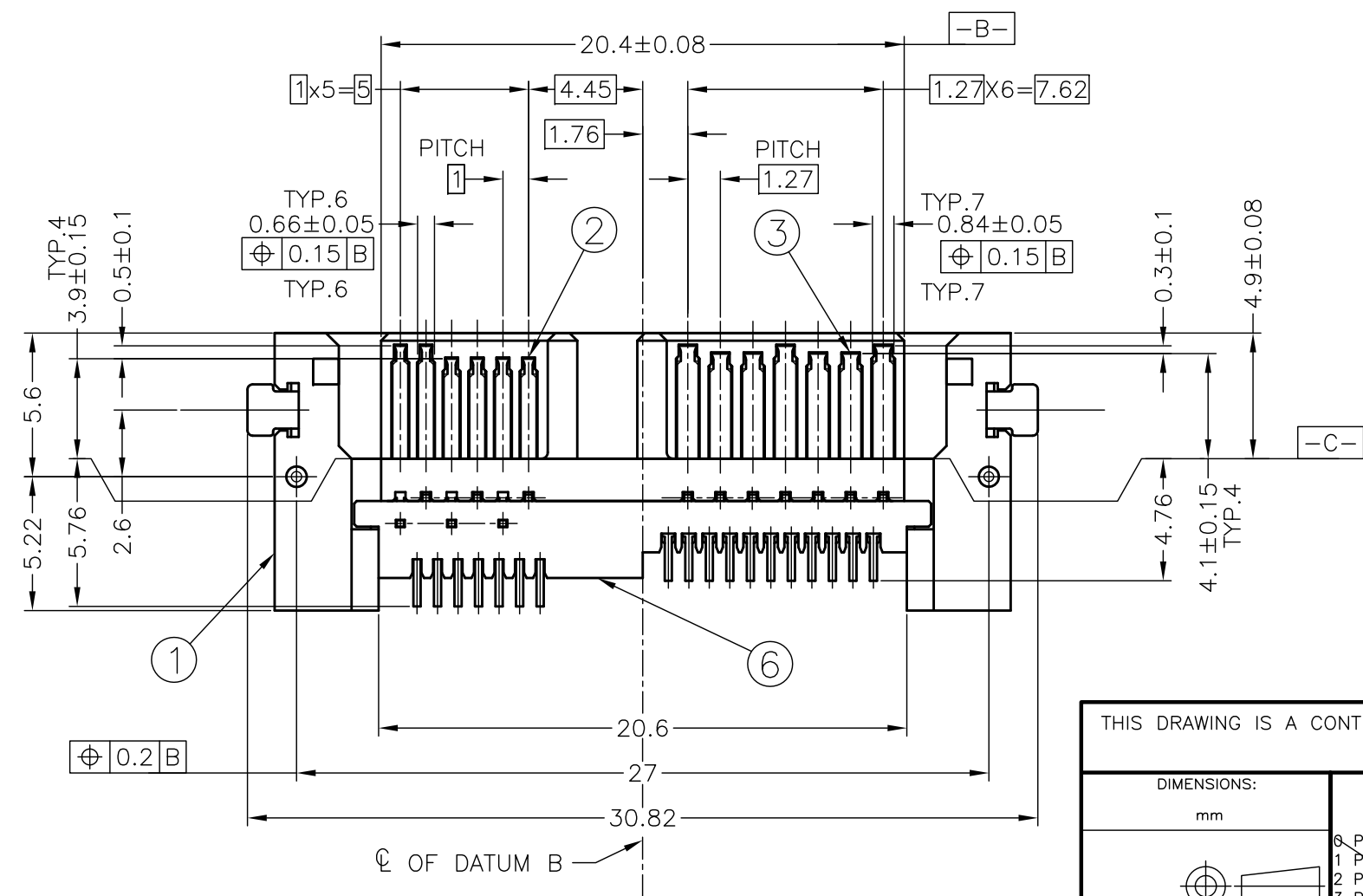
THIS DRAWING IS UNPUBLISHED. RELEASED FOR PUBLICATION
 © COPYRIGHT - By - ALL RIGHTS RESERVED.

LOC	DIST	REVISIONS			
P	LTR	DESCRIPTION	DATE	DWN	APVD
DW		B1	RELEASED	07FEB2014	W.C V.P

2129115-1; -3 : AS SHOWN



- △ MATERIAL;
 HOUSING: HIGH TEMPERATURE THERMO PLASTIC, UL94V-0, COLOR:BLACK
 TINE PLATE: HIGH TEMPERATURE THERMO PLASTIC, UL94V-0, COLOR:BLACK
 CONTACT: COPPER ALLOY
 SOLDER PEG: COPPER ALLOY
- △ FINISH;
 CONTACT: ALL OVER 1.27μm MIN NICKEL UNDER PLATING.
 CONTACT AREA: AU PLATING, SEE TABLE ON SHEET 2
 TINE AREA: 1.27μm MIN MATTE TIN PLATING
 SOLDER PEG: TINE AREA: 2.54μm MIN MATTE TIN PLATING
 ALL OVER 1.27μm MIN NICKEL UNDER PLATING.
- △ PICK & PLACE VACUUM AREA
- △ DATE CODE
- 6. NET WEIGHT: 3.685g
- 7. LOW HALOGEN SPECIFICATION
 CHLORINE(CI) : 900 ppm MAX.
 BROMINE(Br) : 900 ppm MAX.
 CHLORINE(CI) & BROMINE(Br) : 1500 ppm MAX.



QTY	NAME	ITEM NO.
1	TINE PLATE	⑥
2	SOLDER PEG	⑤
18	PLUS CONTACT	④
7	SIGNAL CONTACT	③
6	POWER CONTACT	②
1	HOUSING	①

PARTS LIST

THIS DRAWING IS A CONTROLLED DOCUMENT.		DWN	12AUG2010	TE Connectivity NAME PLUG ASSY SLIMLINE SATA PLUS			
DIMENSIONS: mm		CHK	12AUG2010				
TOLERANCES UNLESS OTHERWISE SPECIFIED:		APVD	12AUG2010				
6 PLC ± 1 PLC ± ±0.25 2 PLC ± ±3 3 PLC ± ± 4 PLC ± ± ANGLES ± ±		PRODUCT SPEC	108-99030				
MATERIAL	FINISH	APPLICATION SPEC	WEIGHT	SIZE	CAGE CODE	DRAWING NO	RESTRICTED TO
△ 1	△ 2	CUSTOMER DRAWING		A3	00779	2129115	
SCALE			4:1	SHEET		1 OF 4	REV
							B1

4

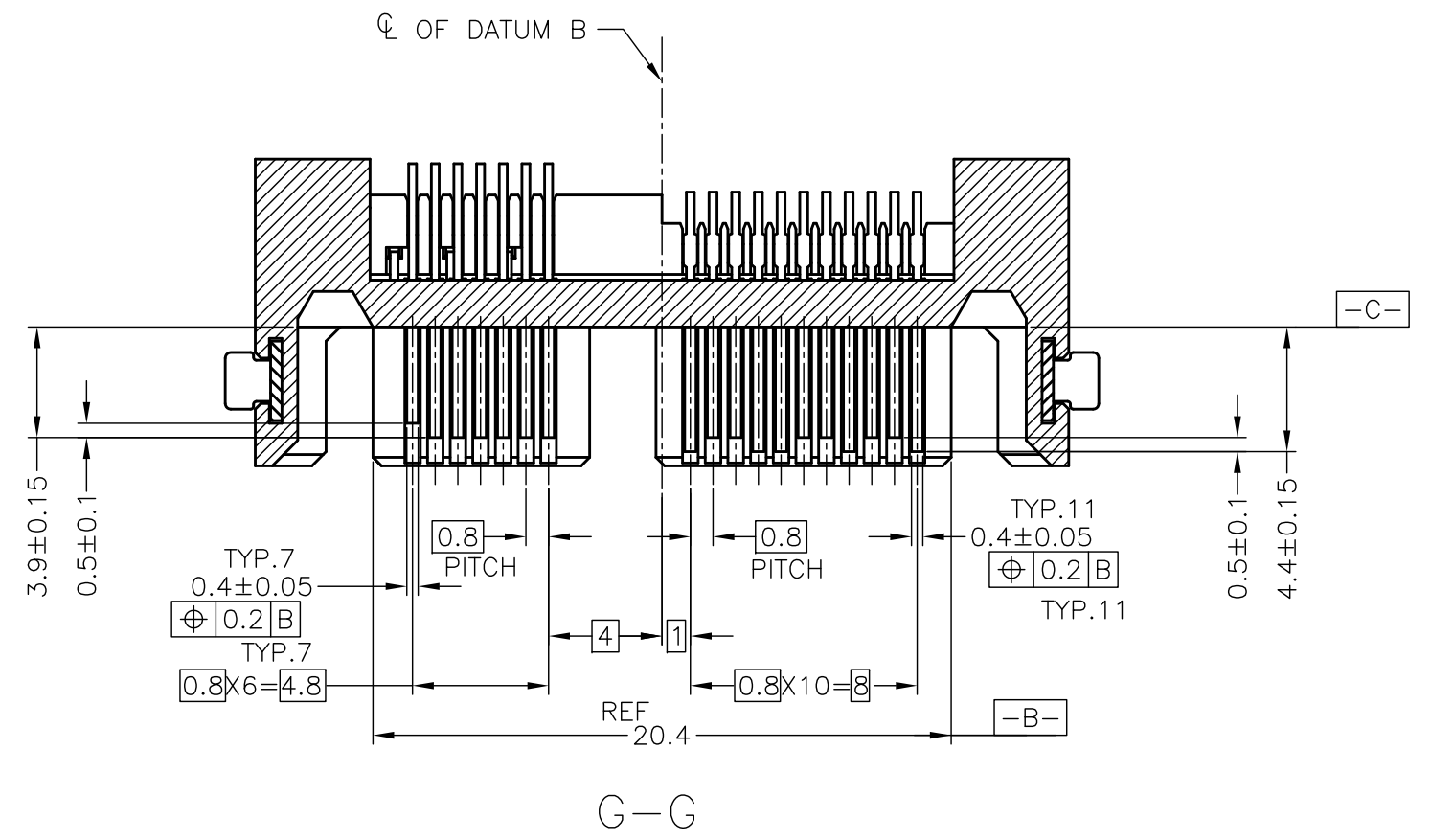
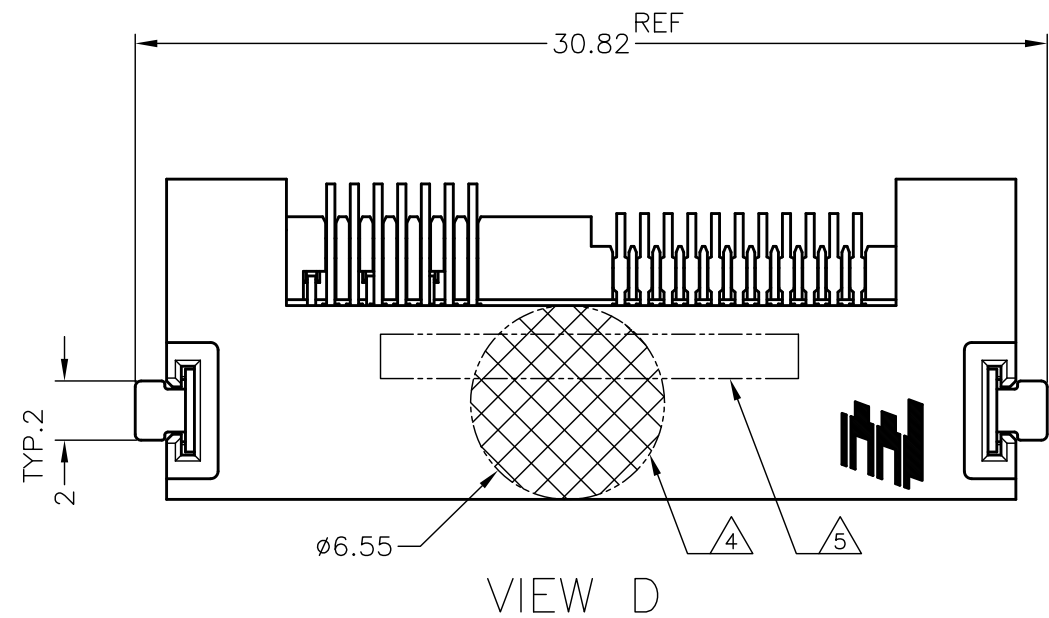
3

2

1

THIS DRAWING IS UNPUBLISHED. RELEASED FOR PUBLICATION
 © COPYRIGHT - By - ALL RIGHTS RESERVED.

LOC	DIST	REVISIONS			
P	LTR	DESCRIPTION	DATE	DWN	APVD
-	-	SEE SHEET 1	-	-	-



#18	HPD_PLUG_DETECT		
#17	SMB_CLK		
#16	SMB_DATA		
#15	PERST#		
#14	WAKE#		
#13	CLKREQ#	P6	GND
#12	+5V	P5	GND
#11	GND	P4	MANUFACTURING DIAGNOSTIC
#10	PERX-	P3	+5V
#9	PERX+	P2	+5V
#8	GND	P1	DEVICE PRESENT
#7	GND	S7	GND
#6	PETX-	S6	B+
#5	PETX+	S5	B-
#4	GND	S4	GND
#3	REFCLK-	S3	A-
#2	REFCLK+	S2	A+
#1	GND	S1	GND
PIN	DESCRIPTION	PIN	DESCRIPTION

G/F	2129115-3
	2129115-2
0.76µm	2129115-1
CONTACT AU PLATING	PART NUMBER

THIS DRAWING IS A CONTROLLED DOCUMENT.		DWN		TE Connectivity	
DIMENSIONS: mm		CHK			
TOLERANCES UNLESS OTHERWISE SPECIFIED:		APVD		NAME	
6 PLC ± 1 PLC ± ±0.25 2 PLC ± ±3° 3 PLC ± ± 4 PLC ± ± ANGLES ± ±		PRODUCT SPEC		PLUG ASSY SLIMLINE SATA PLUS	
MATERIAL		FINISH		APPLICATION SPEC	
				RESTRICTED TO	
				SIZE CAGE CODE DRAWING NO	
				A3 00779 C-2129115	
				WEIGHT	
				CUSTOMER DRAWING	
				SCALE 4:1 SHEET 2 OF 4 REV B1	

4

3

2

1

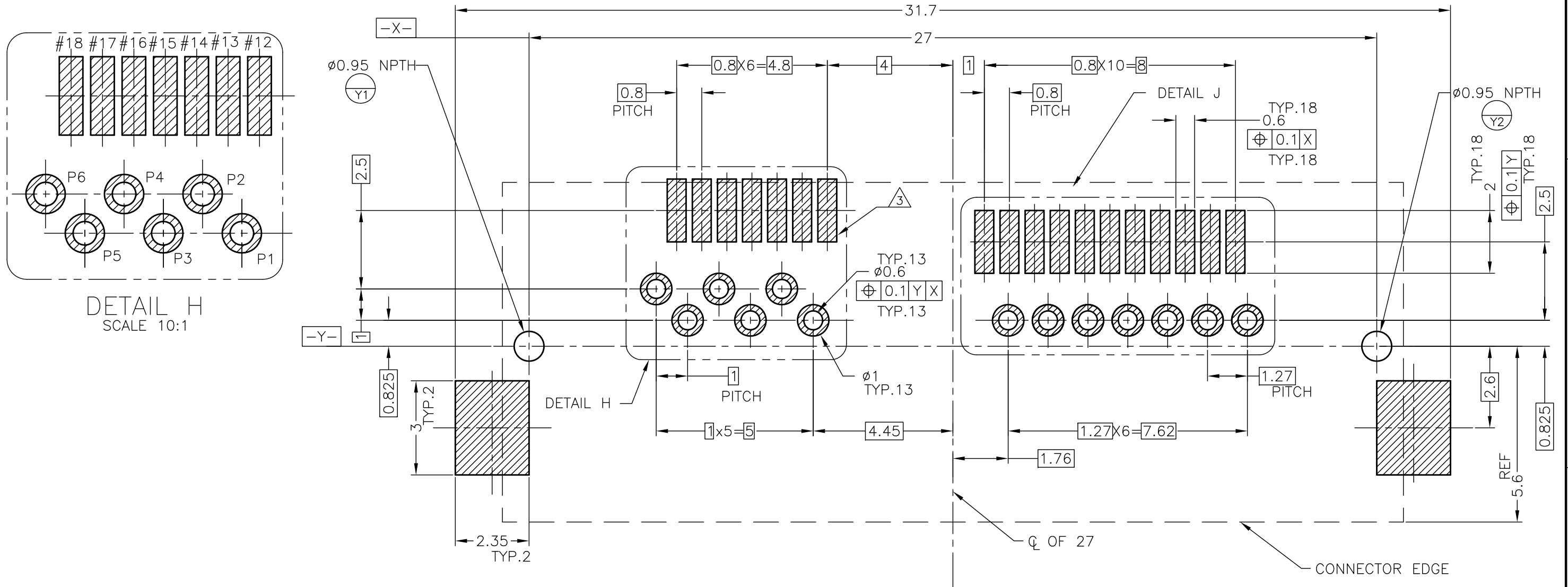
THIS DRAWING IS UNPUBLISHED.

RELEASED FOR PUBLICATION

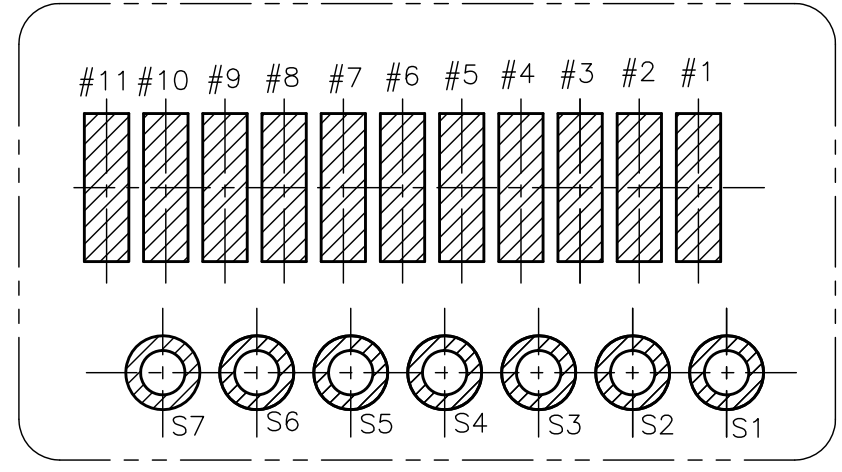
ALL RIGHTS RESERVED.

© COPYRIGHT - By -

LOC	DIST	REVISIONS					
DW		P	LTR	DESCRIPTION	DATE	DWN	APVD
		-	-	SEE SHEET 1	-	-	-



RECOMMENDED PCB LAYOUT (THICKNESS=1.0±0.1)
MOUNTING SIDE



DETAIL J
SCALE 10:1

△ PAD AREA

THIS DRAWING IS A CONTROLLED DOCUMENT.		DWN		TE Connectivity	
DIMENSIONS: mm		CHK			
TOLERANCES UNLESS OTHERWISE SPECIFIED:		APVD		NAME	
6 PLC ± 1 PLC ± ±0.05 2 PLC ± ±1° 3 PLC ± ± 4 PLC ± ± ANGLES ± ±		PRODUCT SPEC		PLUG ASSY SLIMLINE SATA PLUS	
MATERIAL		FINISH		APPLICATION SPEC	
		WEIGHT		RESTRICTED TO	
CUSTOMER DRAWING		SCALE 8:1		SIZE A3 CAGE CODE 00779 DRAWING NO. 2129115	
		SHEET 3 OF 4		REV B1	