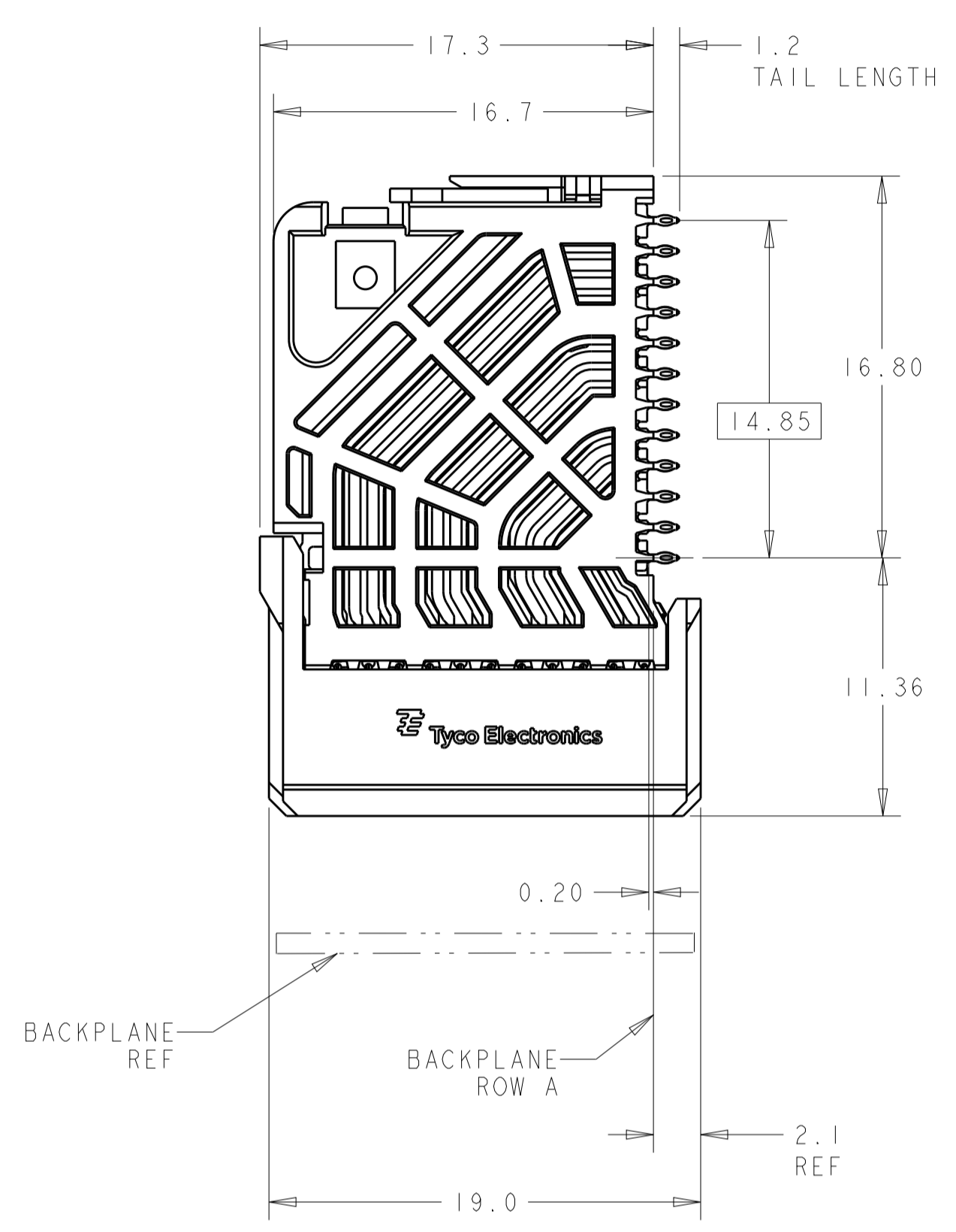
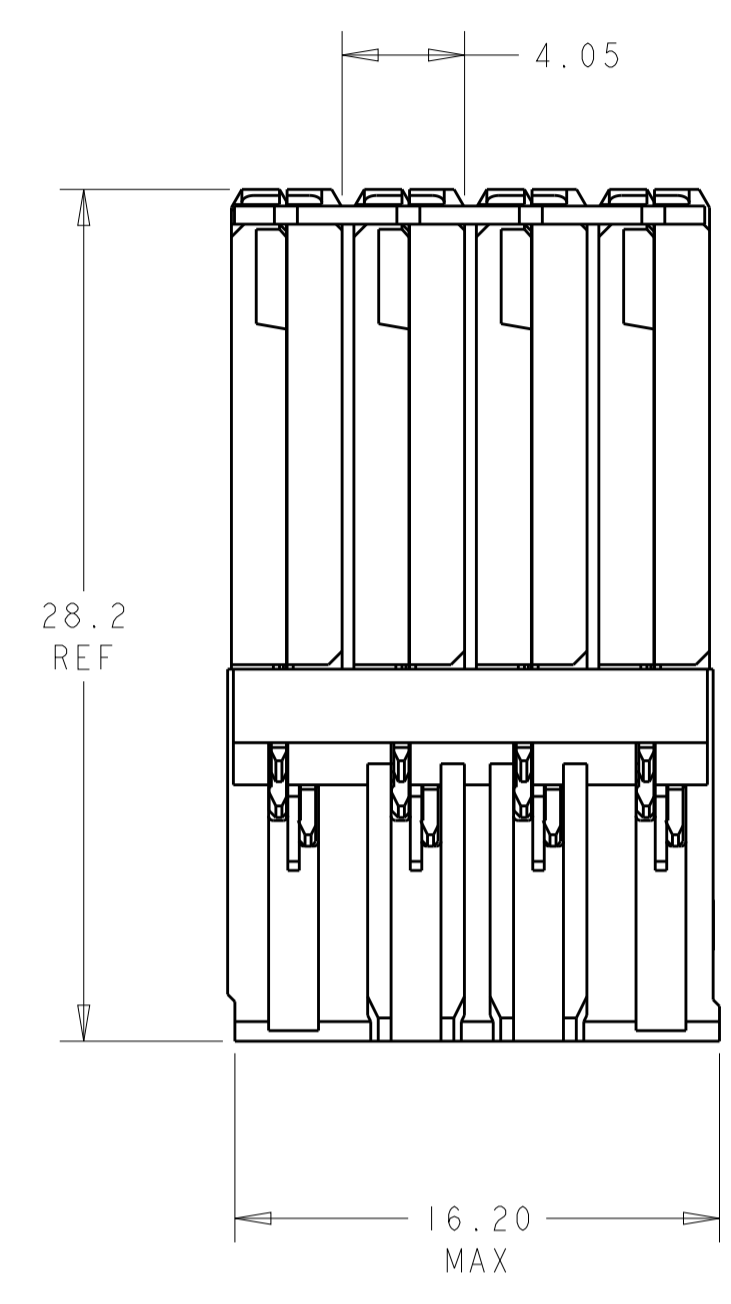
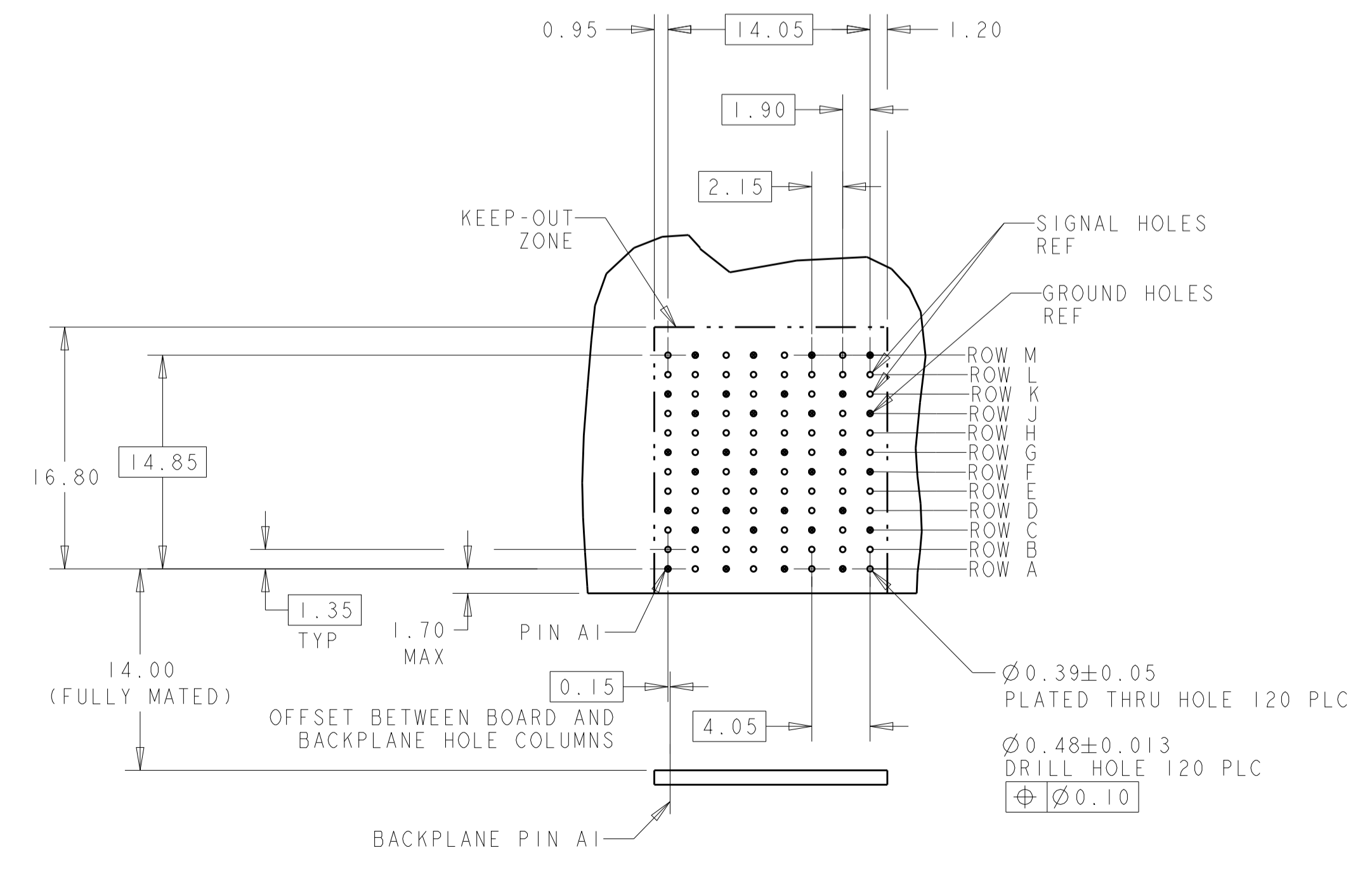
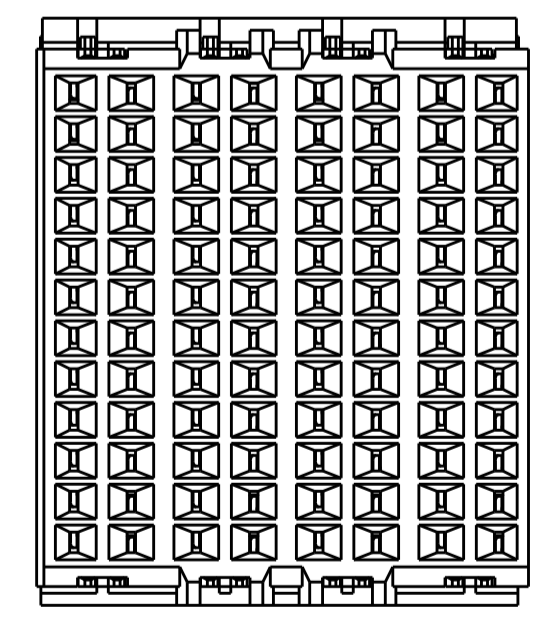
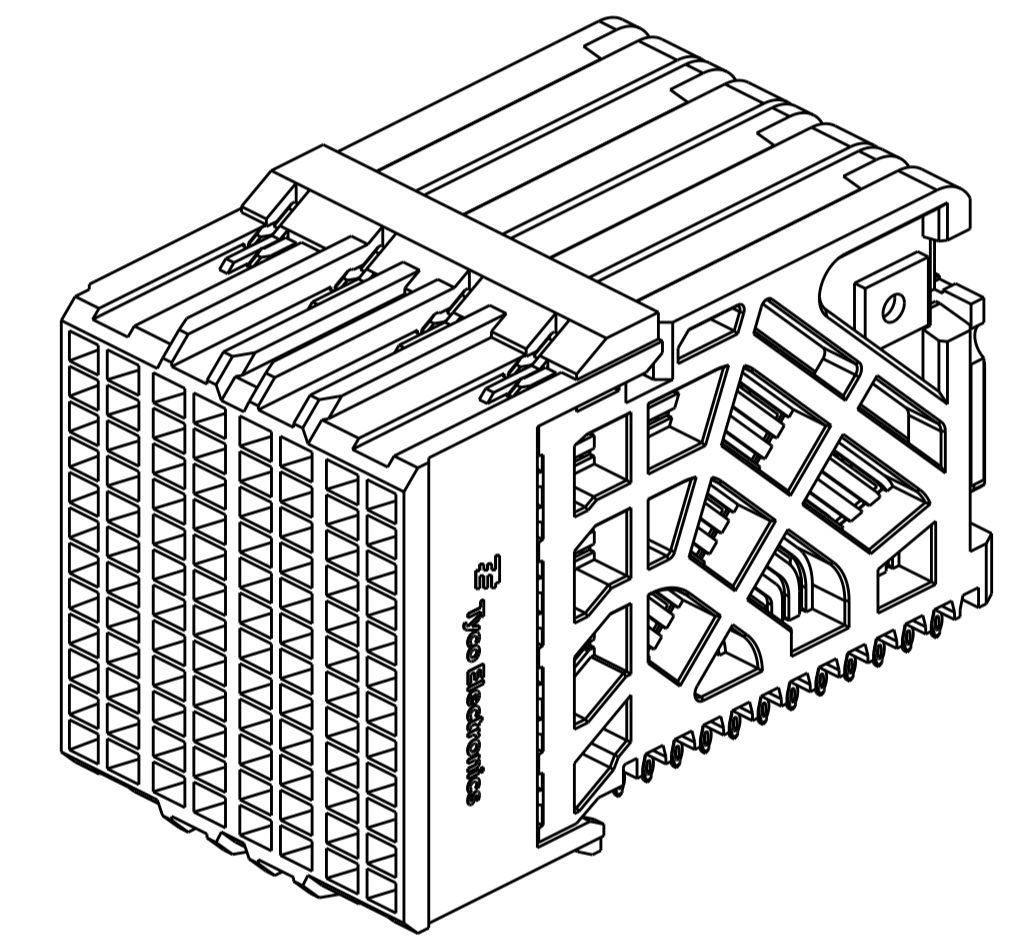


LOC		DIST		REVISIONS			
AD	00	P	LTN	DESCRIPTION	DATE	DWN	APVD
		C		REVISED PER ECO-14-000931	28FEB2014	AP	DD



- 1 MATERIAL:
HOUSING: LCP, GLASS FILLED, UL94V-0.
TERMINALS: HIGH PERFORMANCE COPPER ALLOY.
- 2 FINISH:
30µ" SELECTIVE GOLD IN CONTACT AREA. SELECTIVE TIN ON PCB TAILS, NICKEL OVERALL.



RECOMMENDED PCB LAYOUT
 MIN BOARD THICKNESS 1.0
 SCALE 3:1

2132466-1
FINISH
PART NUMBER

THIS DRAWING IS A CONTROLLED DOCUMENT.		DWN J.K. SHOBER ZOMAY2010	TE Connectivity	
DIMENSIONS: mm		CHK D. DIXON ZOMAY2010	NAME IMPACT, 4 PR, 8 COL, DAUGHTERCARD, UNGUIDED SIGNAL MODULE, 0.39 EYELET, ORTHOGONAL	
TOLERANCES UNLESS OTHERWISE SPECIFIED:		APVD D. DIXON ZOMAY2010	PRODUCT SPEC	
0 PLC ±0.2		APPLICATION SPEC		
1 PLC ±0.13		SIZE CAGE CODE DRAWING NO RESTRICTED TO		
2 PLC ±0.1		A100779C=2132466		
3 PLC ±0.1		Customer Drawing		
4 PLC ±0.1		SCALE 4:1 SHEET 1 OF 1 REV C		
ANGLES ±0.5				
FINISH SEE TABLE				