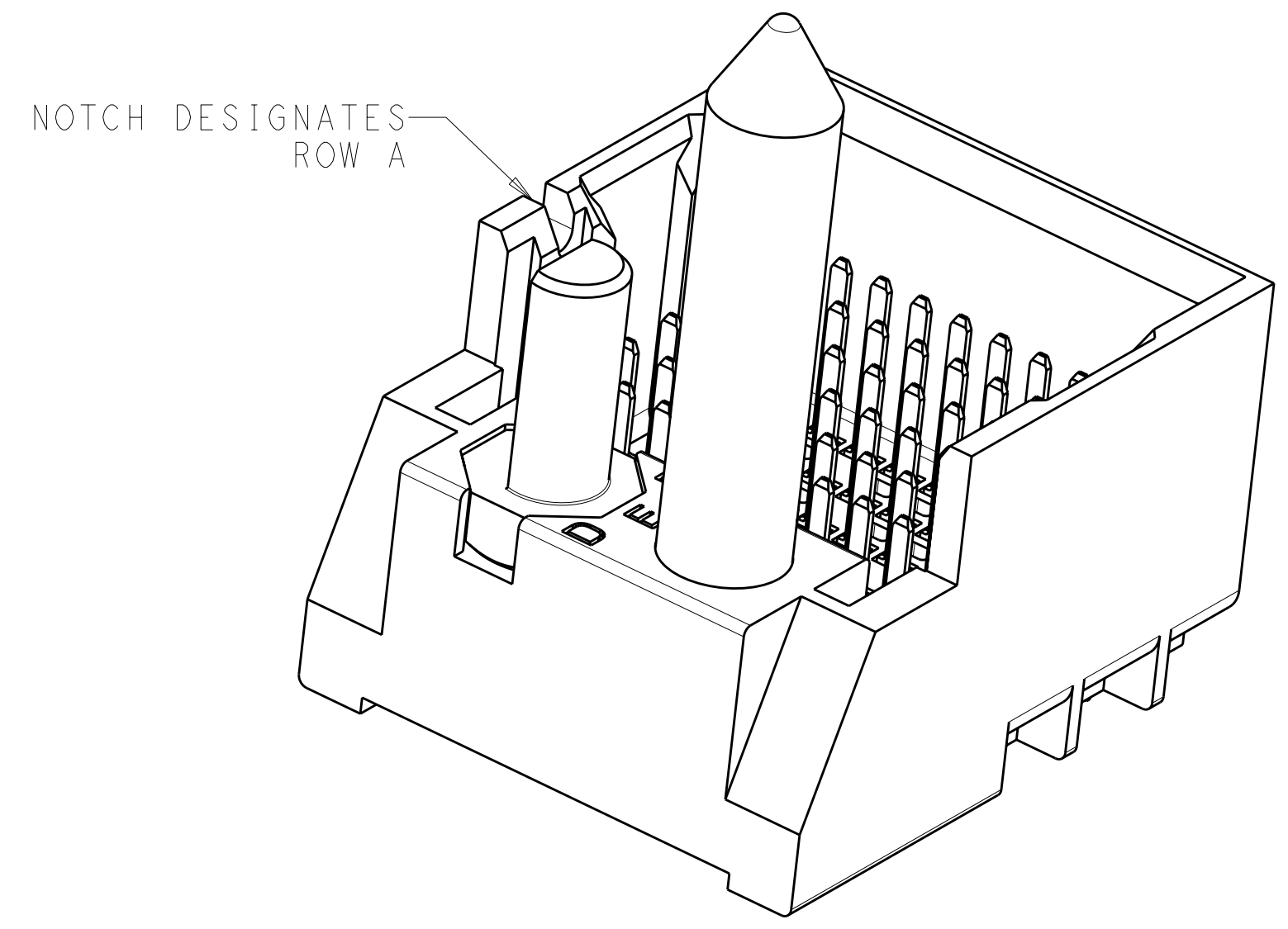
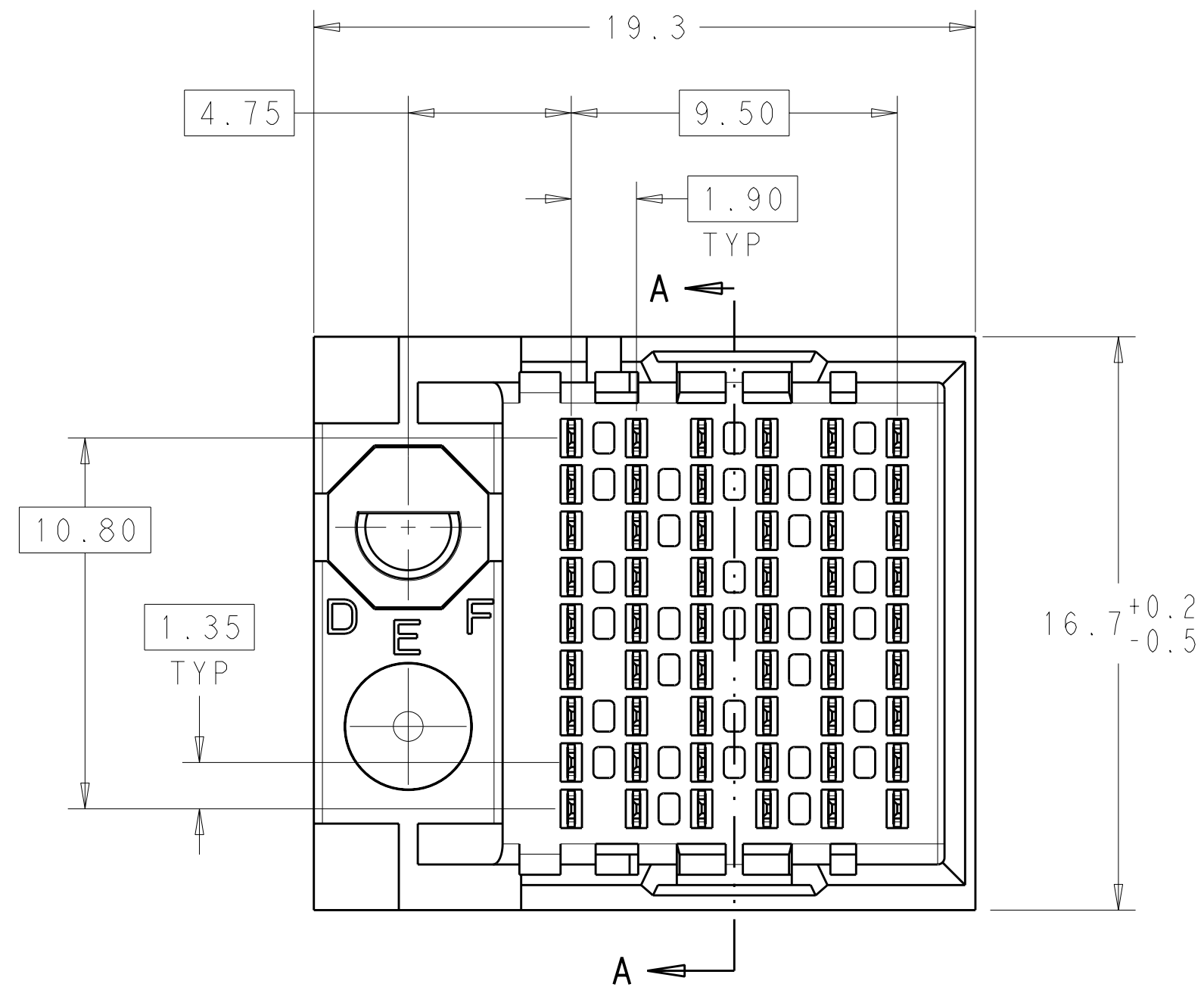
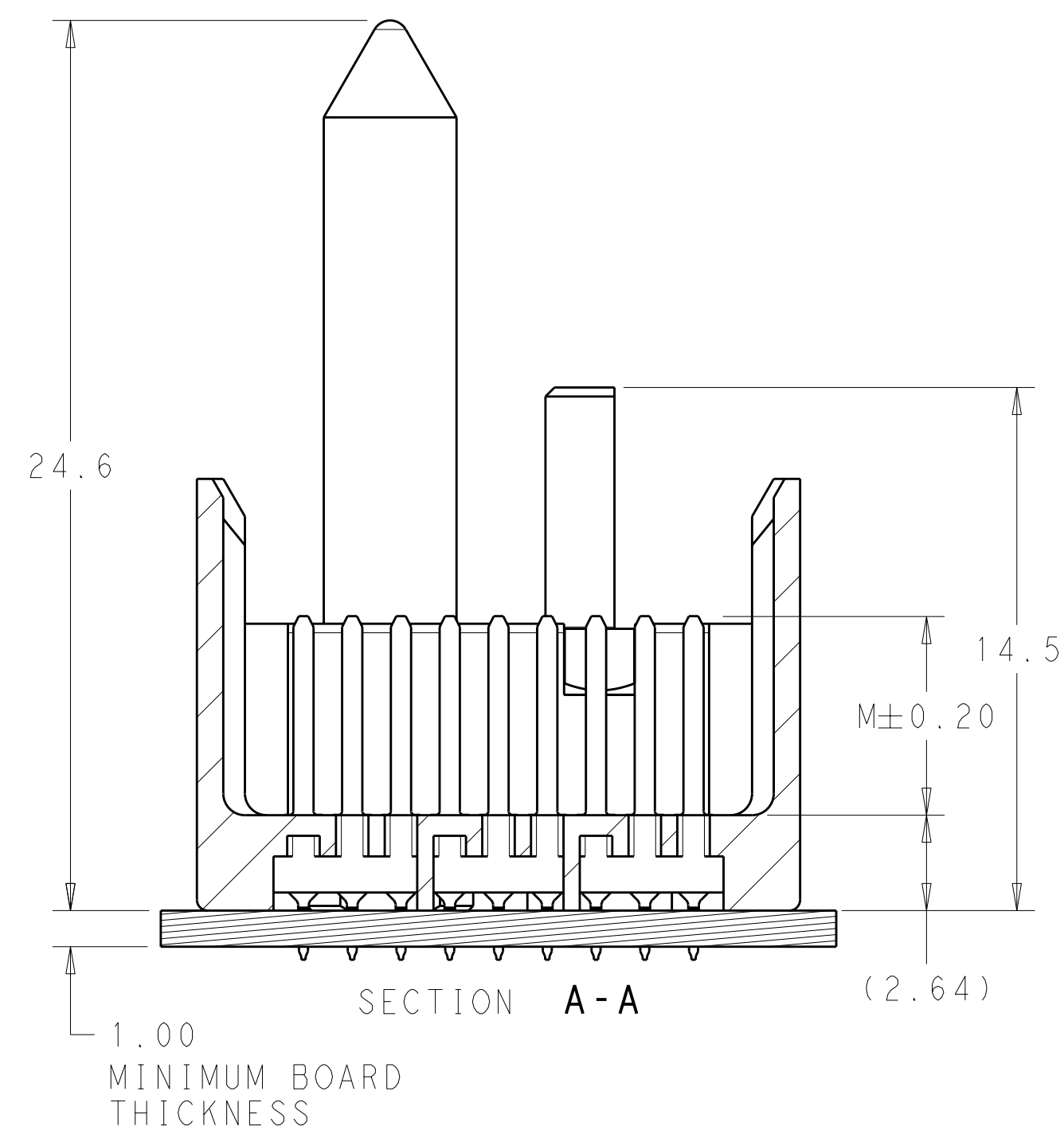
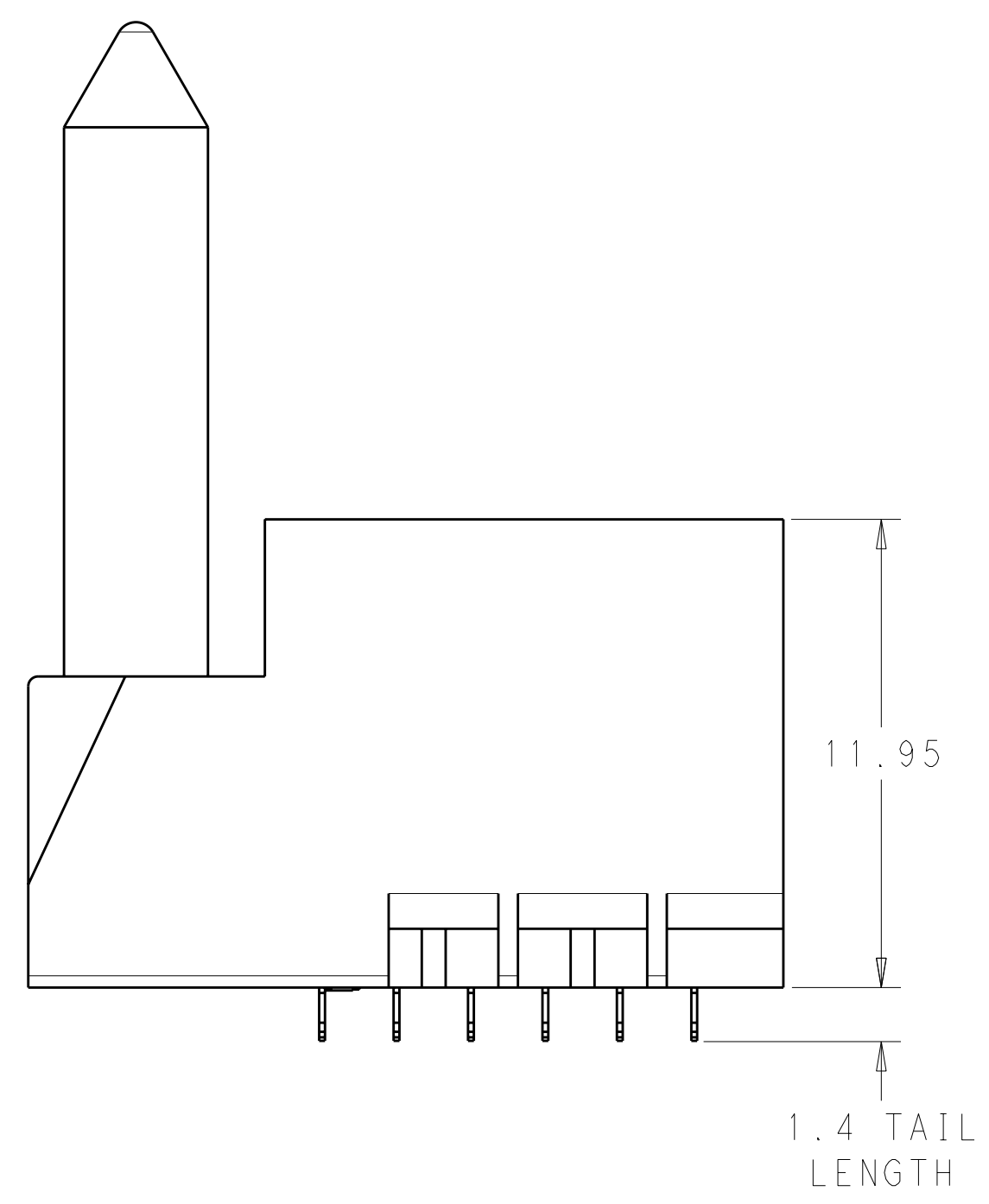
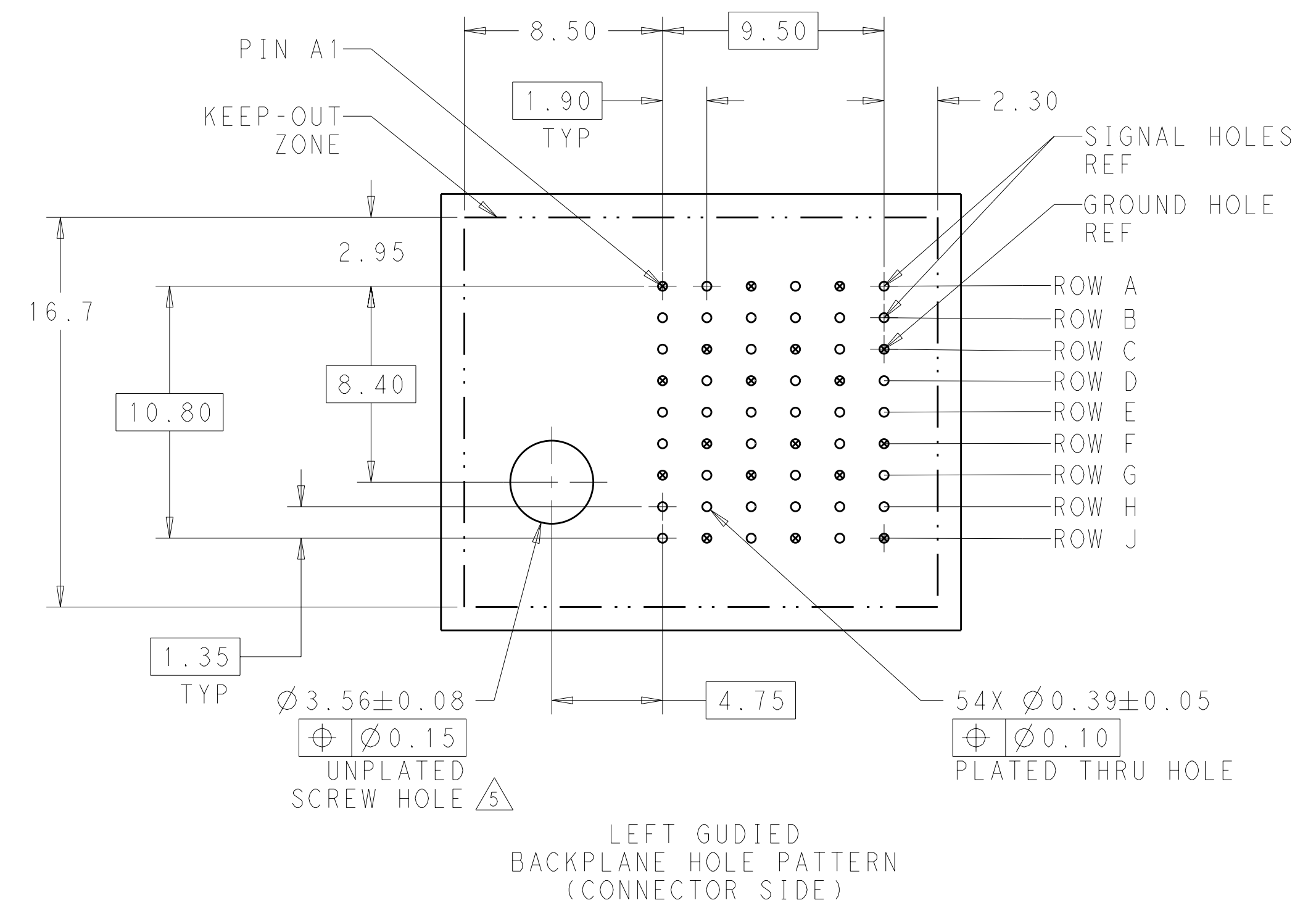


LOC		DIST		REVISIONS			
AD	00	REV	DATE	BY	CHKD	APPD	DATE
2			05JAN2011	JKS	JE		
A			28FEB2012	BC	DY		



- 1 MATERIAL:  
HOUSING: LCP, GLASS FILLED, UL94V-0.  
TERMINALS: HIGH PERFORMANCE COPPER ALLOY.
- 2 FINISH:  
30μ" MIN GOLD IN CONTACT AREA. SELECTIVE TIN ON PCB TAILS, NICKEL OVERALL.
- 3 FINISH:  
30μ" MIN GOLD IN CONTACT AREA. SELECTIVE TIN-LEAD ON PCB TAILS, NICKEL OVERALL.
- 4. SCREWS PACKAGED IN END OF PACKAGING TUBE.
- 5 FOR GROUNDED GUIDE PIN USE Ø3.56±0.08 PTH, Ø3.66 DRILL, AND Ø6.5 PAD.
- 6. KEYING PIN SHOWN IN POSITION A, SEE KEYING CHART ON SHEET 2 FOR OTHER POSITIONS.



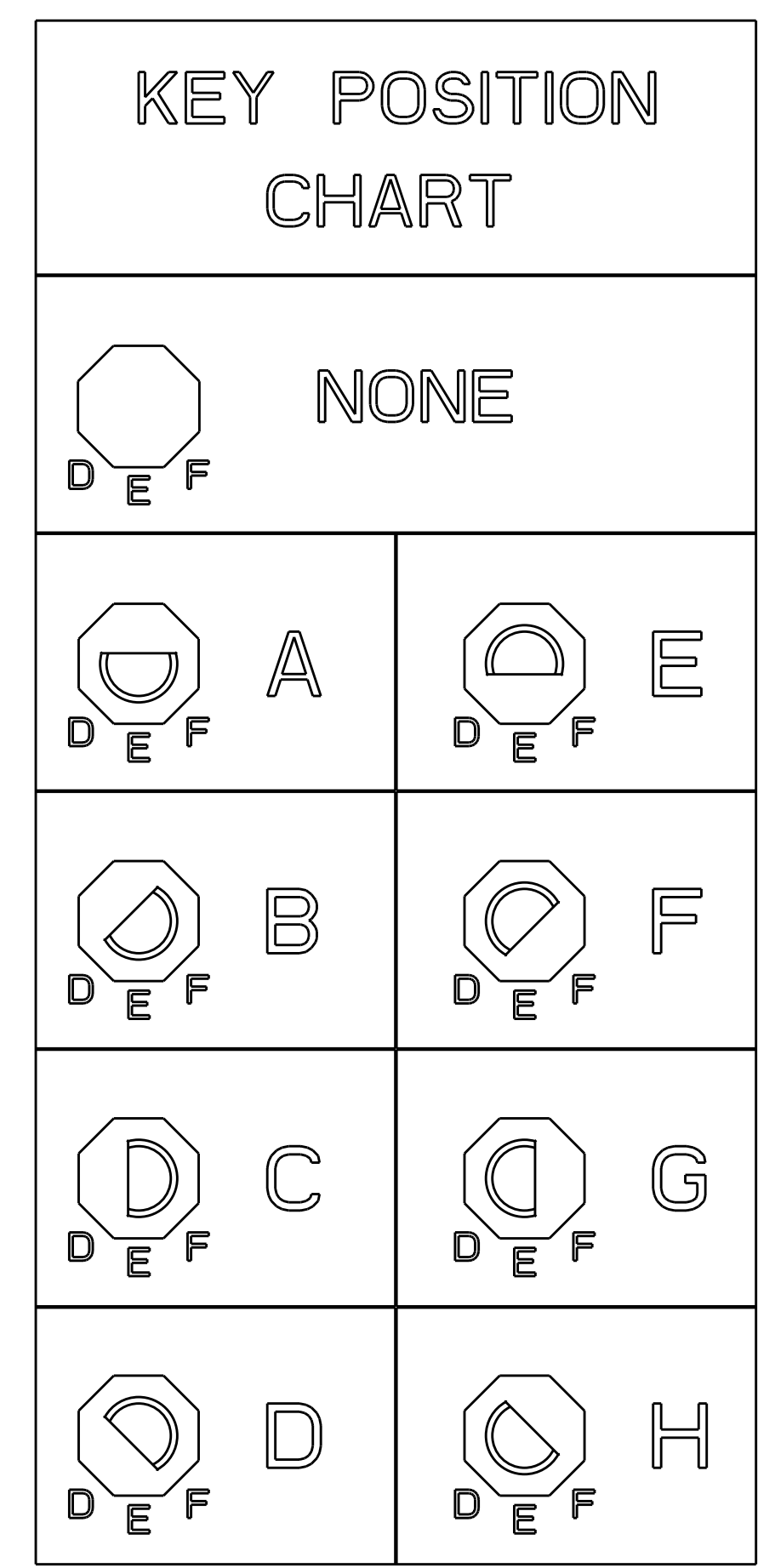
THIS DRAWING IS A CONTROLLED DOCUMENT.		DWN J. K. SHOBER 05JAN2011	TE Connectivity
DIMENSIONS: mm		CHK J. EABY 05JAN2011	
TOLERANCES UNLESS OTHERWISE SPECIFIED:		APVD J. EABY 05JAN2011	NAME IMPACT, 3 PAIR, 6 COLUMN, HEADER LEFT GUIDED, RIGHT END WALL SIGNAL MODULE, 0.39 PTH
0 PLC ± 1 PLC ±0.25 2 PLC ±0.13 3 PLC ± 4 PLC ± ANGLES ± FINISH SEE TABLE		PRODUCT SPEC	SIZE CAGE CODE DRAWING NO. RESTRICTED TO
MATERIAL		APPLICATION SPEC	A1100779C=2132529
WEIGHT		CUSTOMER DRAWING	SCALE 6:1 SHEET 1 OF 2 REV A

THIS DRAWING IS UNPUBLISHED. RELEASED FOR PUBLICATION 20  
 © COPYRIGHT 20 BY ALL RIGHTS RESERVED.

LOC		DIST		REVISIONS			
AD	00	P	LTG	DESCRIPTION	DATE	DWN	APVD
				SEE SHEET 1			

3	H	5.5	8-2132529-6
3	H	4.9	8-2132529-5
3	H	4.5	8-2132529-4
2	H	5.5	8-2132529-3
2	H	4.9	8-2132529-2
2	H	4.5	8-2132529-1
3	G	5.5	7-2132529-6
3	G	4.9	7-2132529-5
3	G	4.5	7-2132529-4
2	G	5.5	7-2132529-3
2	G	4.9	7-2132529-2
2	G	4.5	7-2132529-1
3	F	5.5	6-2132529-6
3	F	4.9	6-2132529-5
3	F	4.5	6-2132529-4
2	F	5.5	6-2132529-3
2	F	4.9	6-2132529-2
2	F	4.5	6-2132529-1
3	E	5.5	5-2132529-6
3	E	4.9	5-2132529-5
3	E	4.5	5-2132529-4
2	E	5.5	5-2132529-3
2	E	4.9	5-2132529-2
2	E	4.5	5-2132529-1
3	D	5.5	4-2132529-6
3	D	4.9	4-2132529-5
3	D	4.5	4-2132529-4
2	D	5.5	4-2132529-3
2	D	4.9	4-2132529-2
2	D	4.5	4-2132529-1
3	C	5.5	3-2132529-6
3	C	4.9	3-2132529-5
3	C	4.5	3-2132529-4
2	C	5.5	3-2132529-3
2	C	4.9	3-2132529-2
2	C	4.5	3-2132529-1
3	B	5.5	2-2132529-6
3	B	4.9	2-2132529-5
3	B	4.5	2-2132529-4
2	B	5.5	2-2132529-3
2	B	4.9	2-2132529-2
2	B	4.5	2-2132529-1
3	A	5.5	1-2132529-6
3	A	4.9	1-2132529-5
3	A	4.5	1-2132529-4
2	A	5.5	1-2132529-3
2	A	4.9	1-2132529-2
2	A	4.5	1-2132529-1
3	-	5.5	2132529-6
3	-	4.9	2132529-5
3	-	4.5	2132529-4
2	-	5.5	2132529-3
2	-	4.9	2132529-2
2	-	4.5	2132529-1
FINISH	KEY POSITION	DIM M	PART NUMBER

REFER TO WWW.TE.COM FOR PRODUCT AVAILABILITY



THIS DRAWING IS A CONTROLLED DOCUMENT.		DWN J. K. SHOBER 05JAN2011	TE Connectivity
DIMENSIONS: mm		CHK J. EARY 05JAN2011	
TOLERANCES UNLESS OTHERWISE SPECIFIED:		APVD J. EARY 05JAN2011	NAME IMPACT, 3 PAIR, 6 COLUMN, HEADER LEFT GUIDED, RIGHT END WALL SIGNAL MODULE, 0.39 PTH
9 PLC ±0.25 5 PLC ±0.13 4 PLC ± ANGLES ± FINISH SEE TABLE		PRODUCT SPEC	SIZE CAGE CODE DRAWING NO RESTRICTED TO
MATERIAL		APPLICATION SPEC	A100779C=2132529
		WEIGHT	SCALE 5:1 SHEET 2 OF 2 REV A
		CUSTOMER DRAWING	