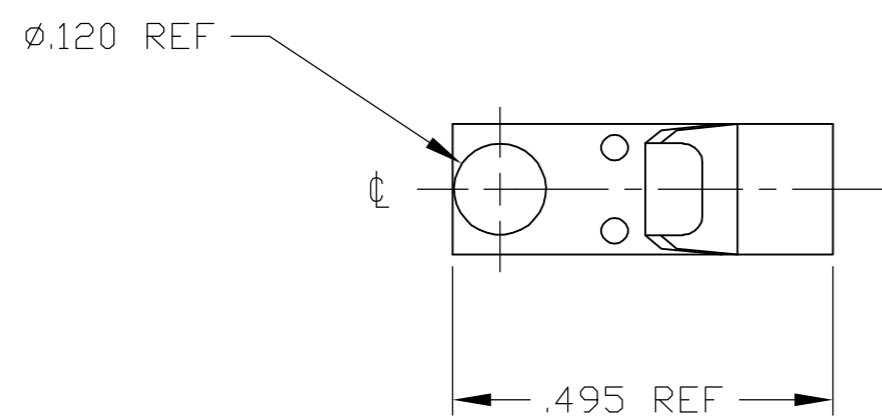
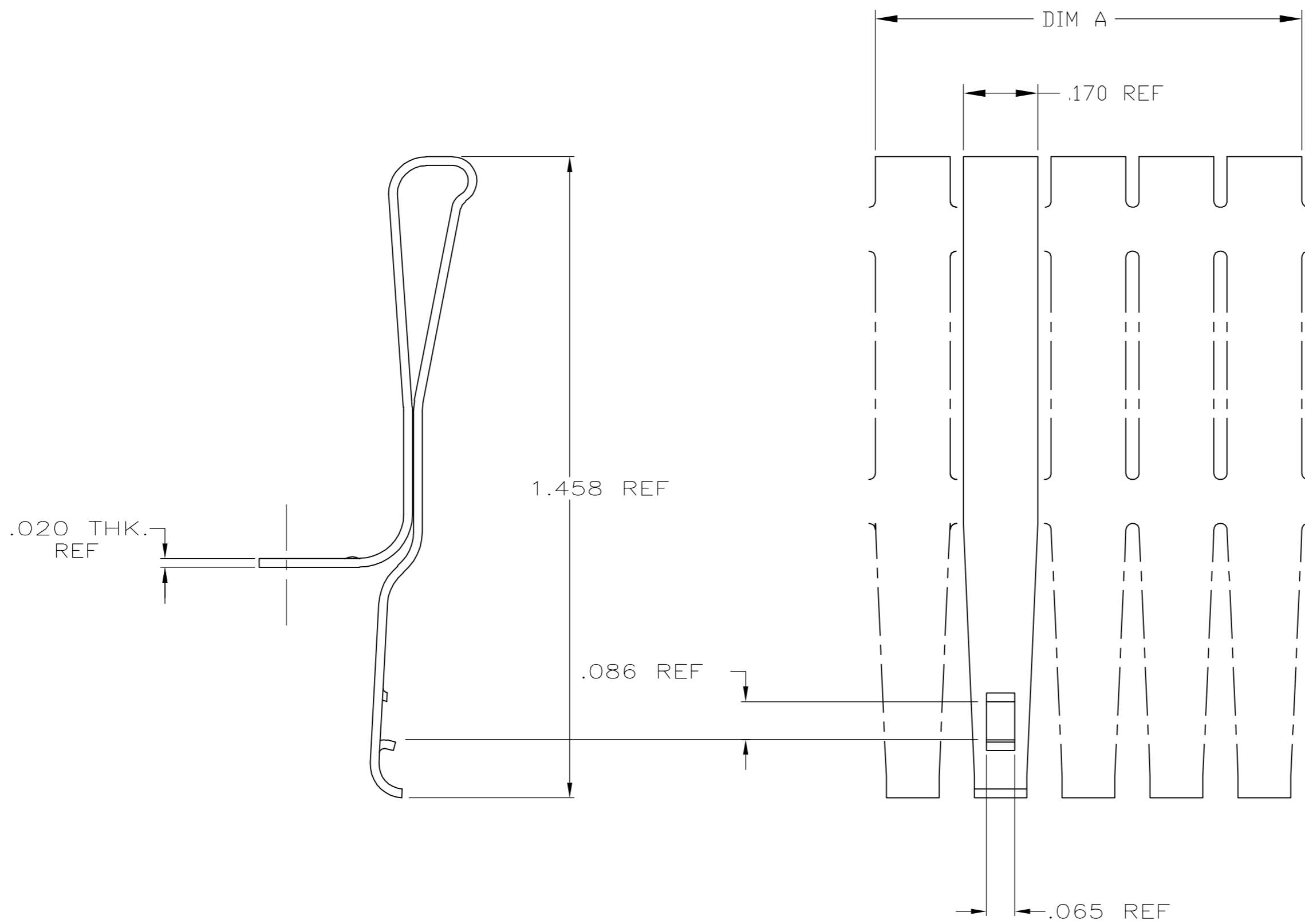


THIS DRAWING IS UNPUBLISHED. RELEASED FOR PUBLICATION
 © COPYRIGHT BY TYCO ELECTRONICS CORPORATION. ALL RIGHTS RESERVED.

LOC	DIST	REVISIONS					
DF	A0	P	LTR	DESCRIPTION	DATE	DWN	APVD
		E		REV PER ECO 07-004450	3-15-07	CT	ND



OBSOLETE	.970	213388-5
OBSOLETE	.770	213388-4
OBSOLETE	.570	213388-3
OBSOLETE	.370	213388-2
	.170	213388-1
	DIM A	PART NO.

THIS DRAWING IS A CONTROLLED DOCUMENT.		DWN	2-26-88	D. STAHL																			
DIMENSIONS: INCHES		CHK	3-8-88	K. AYER																			
TOLERANCES UNLESS OTHERWISE SPECIFIED:		APVD	3-8-88	K. AYER																			
<table border="1"> <tr><td>0 PLC</td><td>±</td><td>-</td></tr> <tr><td>1 PLC</td><td>±</td><td>-</td></tr> <tr><td>2 PLC</td><td>±</td><td>-</td></tr> <tr><td>3 PLC</td><td>±</td><td>.015</td></tr> <tr><td>4 PLC</td><td>±</td><td>-</td></tr> <tr><td>ANGLES</td><td>±</td><td>-</td></tr> </table>		0 PLC	±	-	1 PLC	±	-	2 PLC	±	-	3 PLC	±	.015	4 PLC	±	-	ANGLES	±	-	PRODUCT SPEC	NAME		
0 PLC	±	-																					
1 PLC	±	-																					
2 PLC	±	-																					
3 PLC	±	.015																					
4 PLC	±	-																					
ANGLES	±	-																					
MATERIAL: STAINLESS STEEL		FINISH: PASSIVATED	APPLICATION SPEC		SPRING LATCH, WIU																		
		WEIGHT: -	SIZE: A2	CAGE CODE: 00779	DRAWING NO: C=213388																		
		CUSTOMER DRAWING	SCALE: 4:1	SHEET: 1 of 1	RESTRICTED TO: -																		