

4

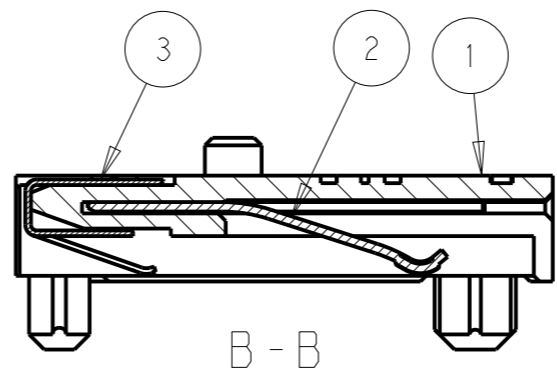
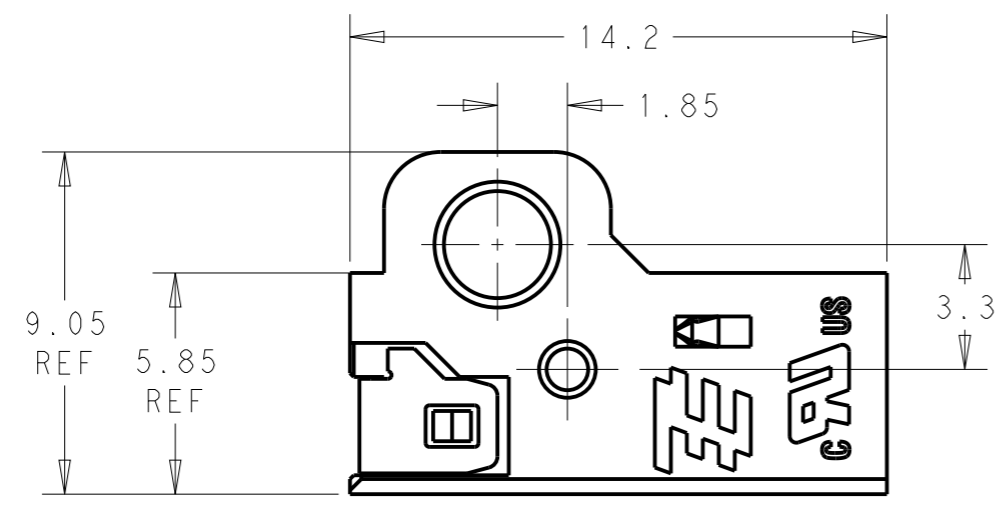
3

2

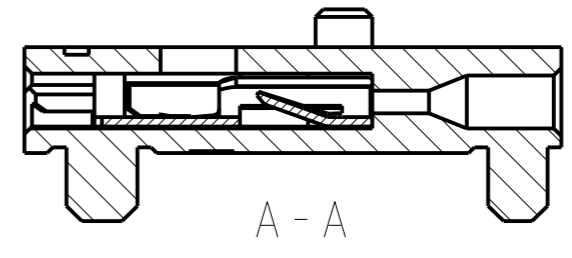
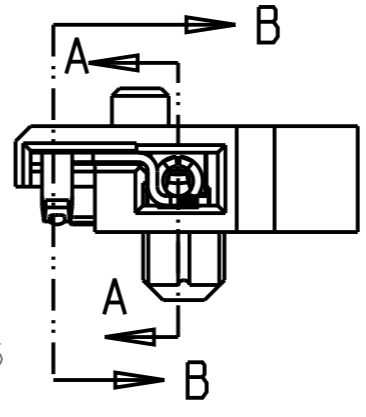
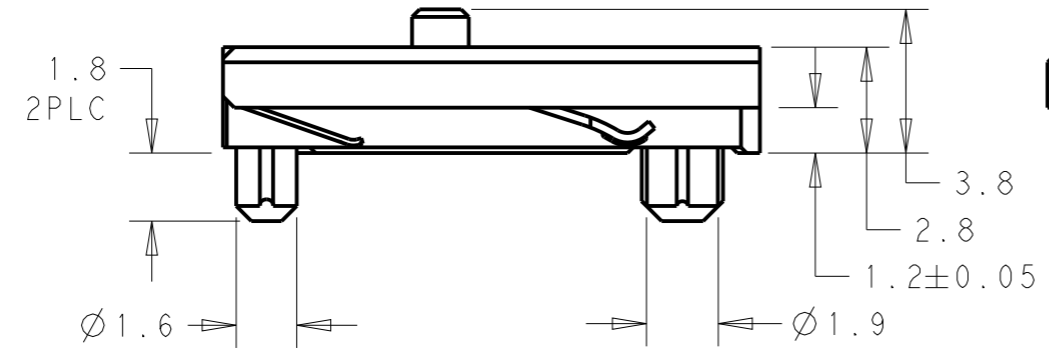
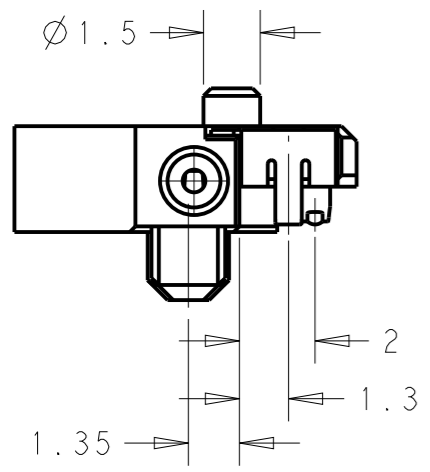
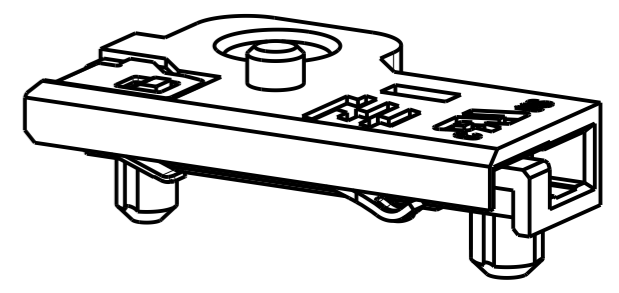
1

THIS DRAWING IS UNPUBLISHED. RELEASED FOR PUBLICATION 20
 © COPYRIGHT 20 BY - ALL RIGHTS RESERVED.

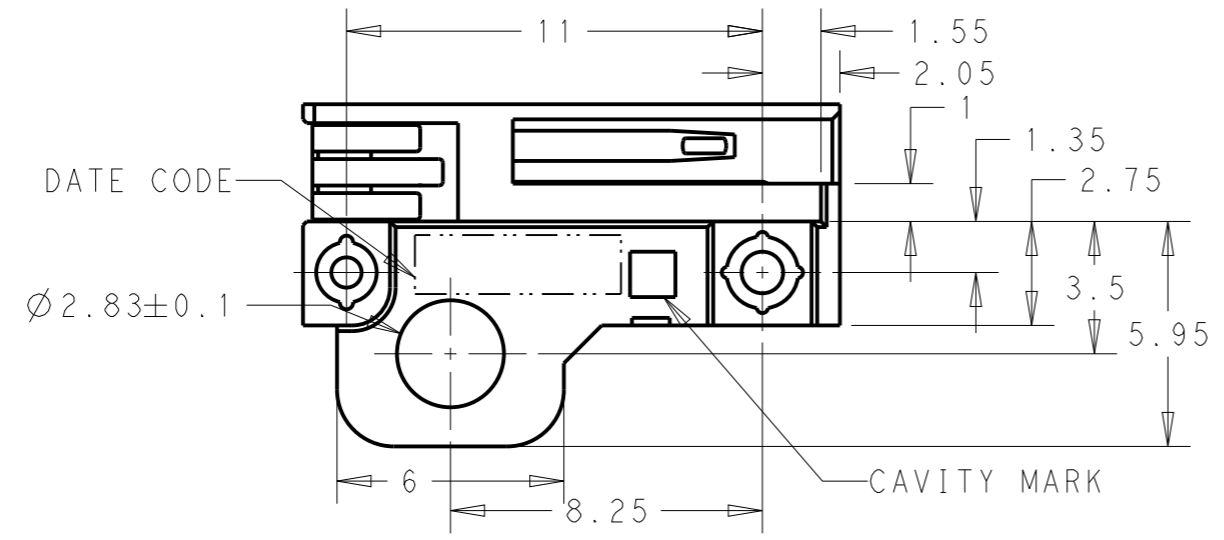
LOC	DIST	REVISIONS			
P	LTR	DESCRIPTION	DATE	DWN	APVD
J	-	C	REVISED PER ECO-13-011400	15JUL2013	KH PO
		D	REVISED(ECR-14-000923)	22JAN2014	T.N N.Y



2134318-1:AS SHOWN



← WIRE INSERTION DIRECTION



STAINLESS STEEL	SPRING PLATE	③
COPPER ALLOY LED MODULE CONTACT AREA : GOLD PLATED ALL OVER UNDER NICKEL PLATED	CONTACT	②
LCP	HOUSING	①
MATERIAL & FINISH	NAME	ITEM

- 1. APPLICABLE WIRES : AWG24 SOLID (Sn COATING)
INSULATION DIAMETER : Ø1.35MAX
- 2. APPLICABLE SCREW : M2.6
- 3. SCREW TIGHTENING TORQUE : 18cN-m MAX
- 4. ABOUT HOUSING VISUAL STANDARD : TO CONFORM TYCO ELECTRONICS CORPORATION INTERNAL RULE.

THIS DRAWING IS A CONTROLLED DOCUMENT.

DIMENSIONS:	TOLERANCES UNLESS OTHERWISE SPECIFIED:
mm	±0.15
	Ø PLC ±
	1 PLC ±0.5
	2 PLC ±0.13
	3 PLC ±0.013
	4 PLC ±0.0001
	ANGLES ±2
MATERIAL	FINISH
SEE TABLE	-

DWN KIRAN HOLAL 11JUL2013	 TE Connectivity	NAME LUMAWISE LED HOLDER TYPE LUMIPACK N1		
CHK OTT PETER 11JUL2013				
APVD OTT PETER 11JUL2013				
PRODUCT SPEC - APPLICATION SPEC -				
WEIGHT -	SIZE A3	CAGE CODE 00779	DRAWING NO C-2134318	RESTRICTED TO -
Customer Drawing	SCALE 5:1	SHEET 1	OF 2	REV D

THIS DRAWING IS UNPUBLISHED.

RELEASED FOR PUBLICATION

20

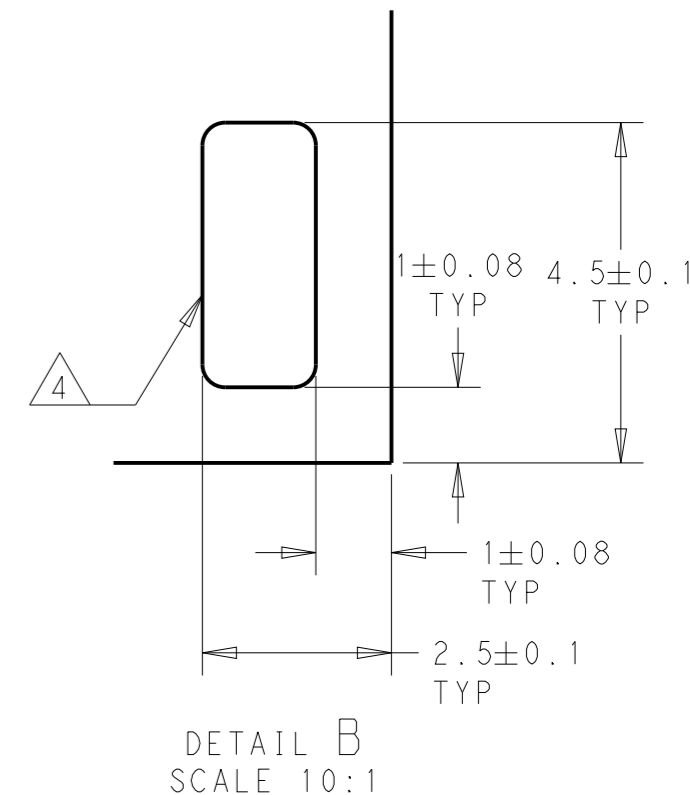
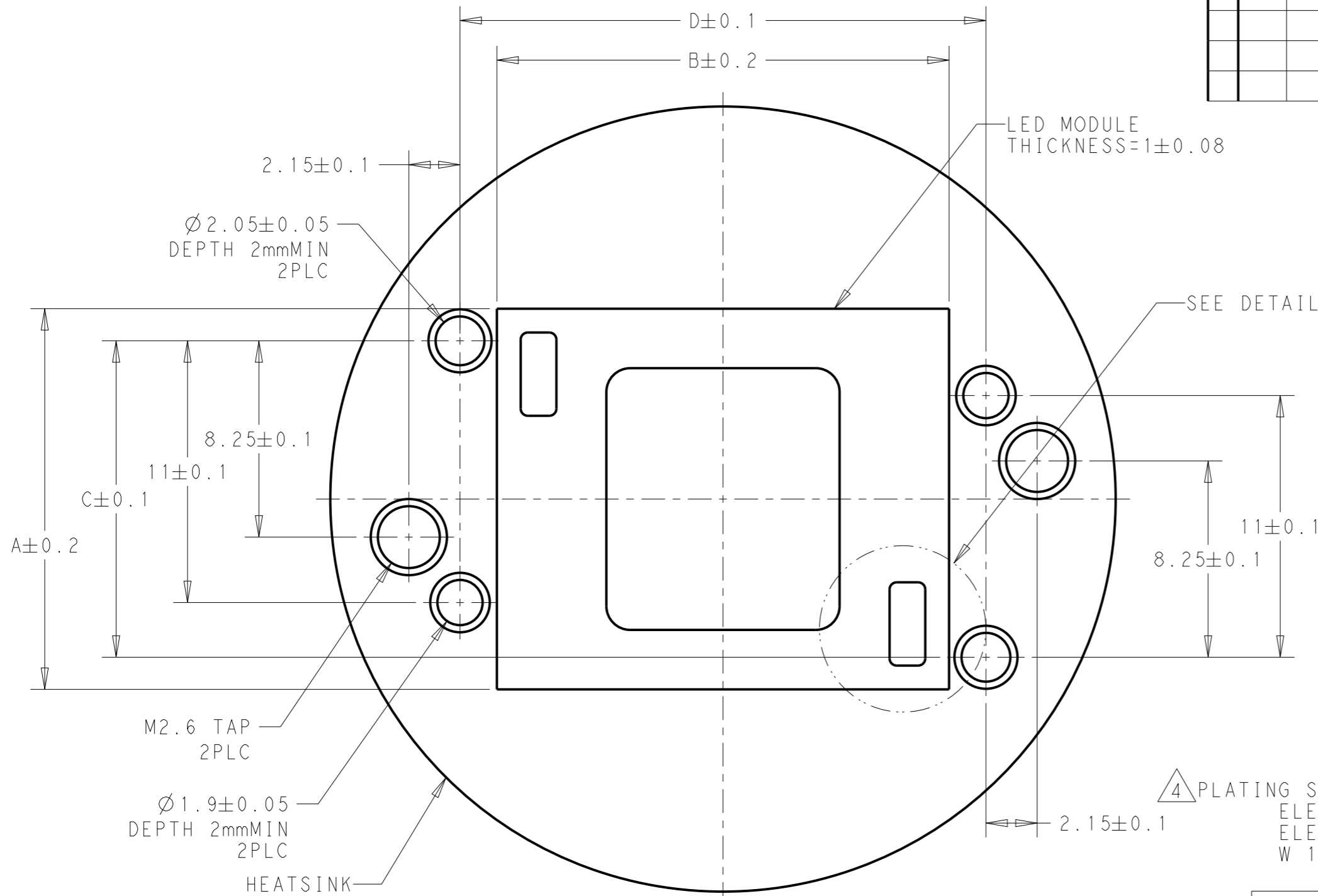
© COPYRIGHT 20 BY - ALL RIGHTS RESERVED.

LOC
J

DIST
-

REVISIONS

P	LTR	DESCRIPTION	DATE	DWN	APVD
-	-	SEE SHEET 1	-	-	-



4 PLATING SPEC
ELECTROLESS Au PLATING 0.5µmMIN
ELECTROLESS Ni PLATING 5µm (UNDER PLATING)
W 10µm (UNDER PLATING)

LED MODULE & HEATSINK RECOMMEND DIMENSION

22.1	13.3	19	16	1619 TYPE
18.1	9.3	15	12	1215 TYPE
D	C	B	A	LED MODULE TYPE

THIS DRAWING IS A CONTROLLED DOCUMENT.

DIMENSIONS:
mm

TOLERANCES UNLESS OTHERWISE SPECIFIED:
±0.15

Ø PLC	±
1 PLC	±0.5
2 PLC	±0.13
3 PLC	±0.013
4 PLC	±0.0001
ANGLES	±2

MATERIAL SEE TABLE

FINISH -

DWN	
CHK	
APVD	
PRODUCT SPEC	-
APPLICATION SPEC	-
WEIGHT	-

STE TE Connectivity

NAME
LUMAWISE LED HOLDER
TYPE LUMIPACK N1

SIZE	CAGE CODE	DRAWING NO	RESTRICTED TO
A3	00779	C=2134318	-

Customer Drawing SCALE 5:1 SHEET 2 OF 2 REV D