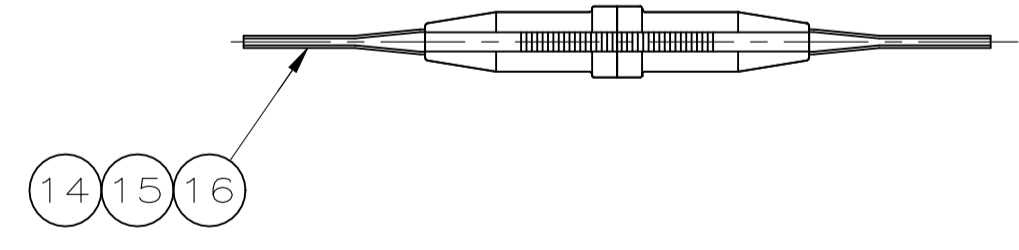
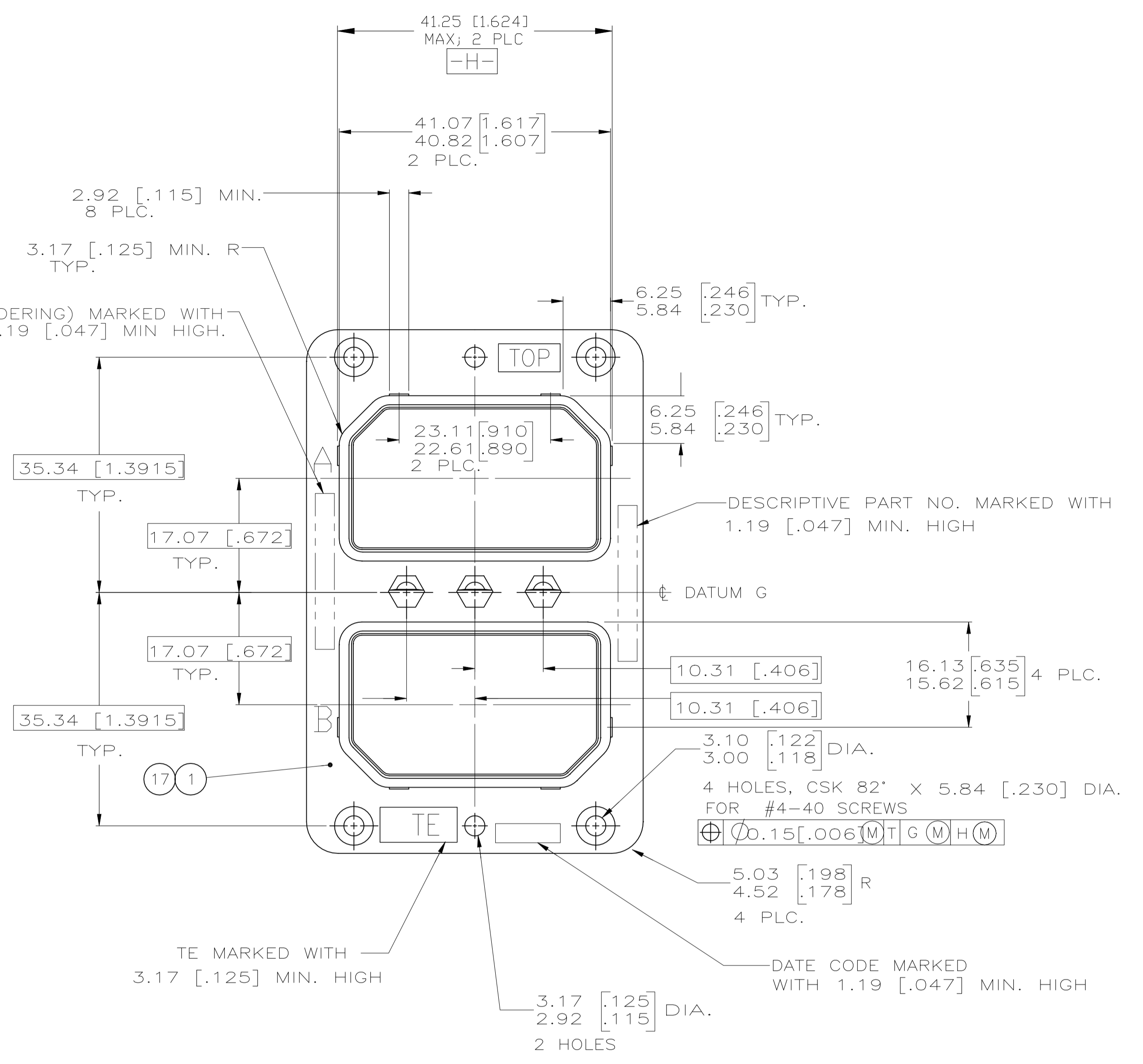
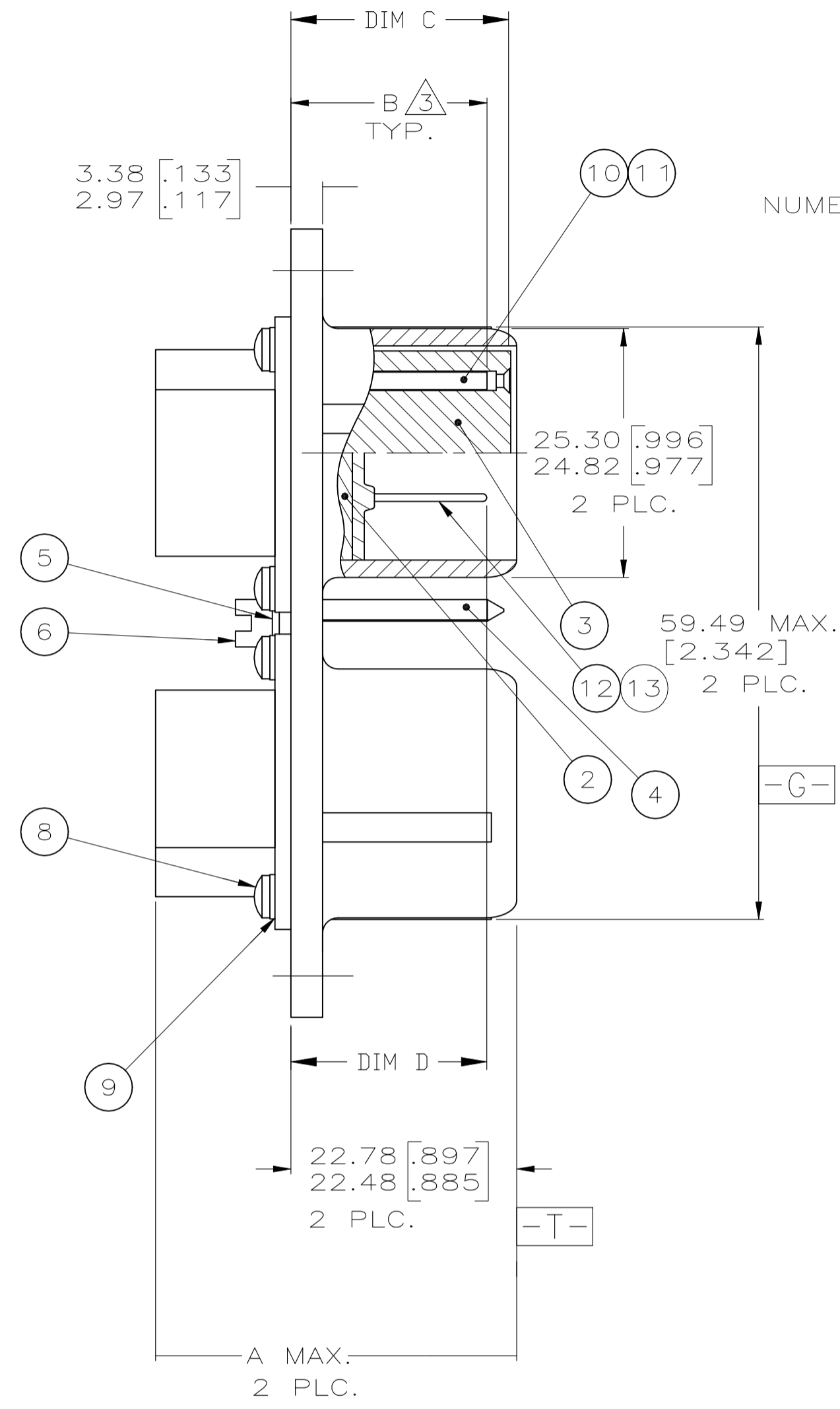
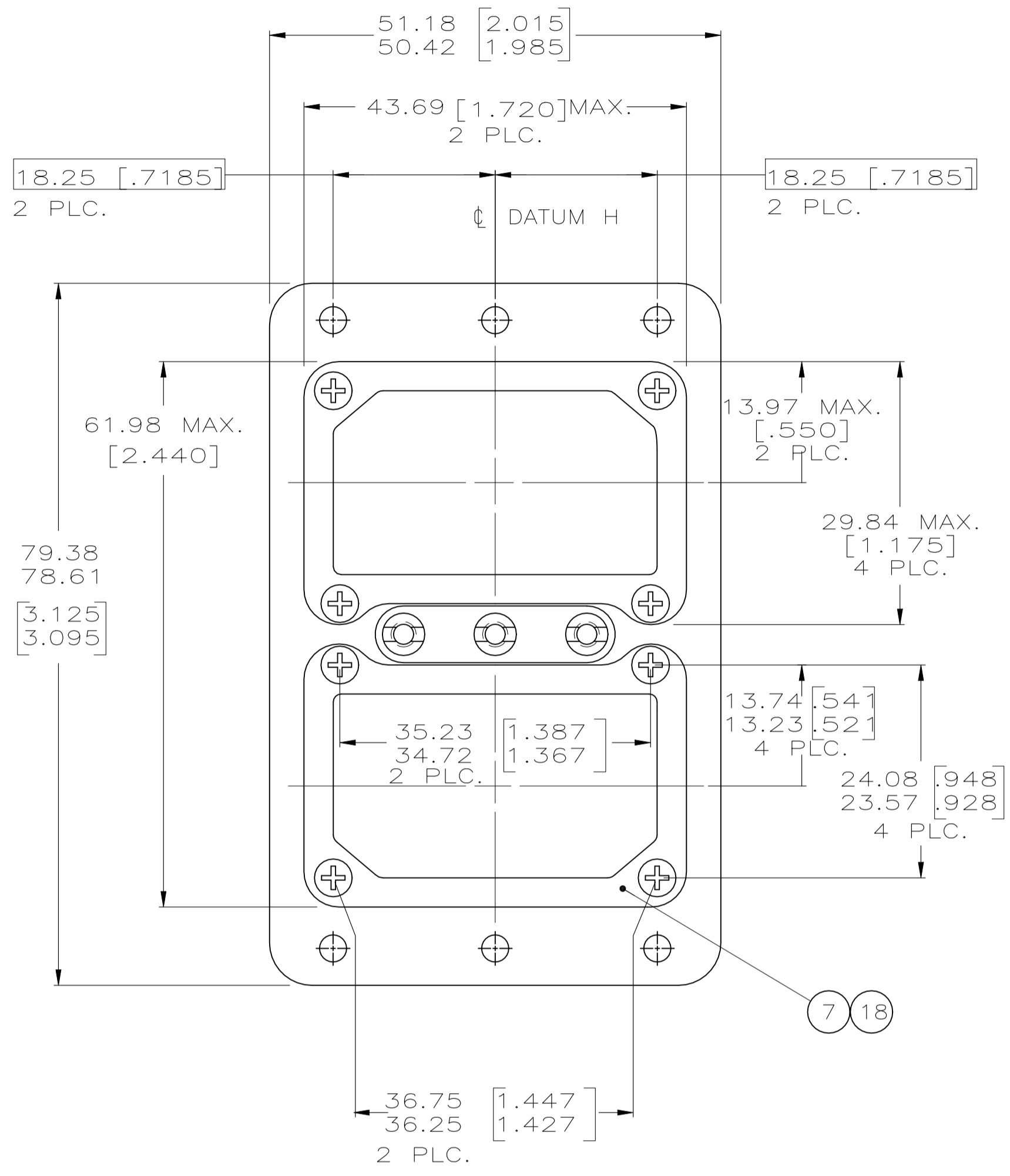




REVISIONS				
P	LTR	DESCRIPTION	DATE	APPV
-	SEE SHEET 1			



THIS DRAWING IS A CONTROLLED DOCUMENT.		DIN 3-11-87 MARK HOFFECKER		TE Connectivity Ltd.	
DIMENSIONS: INCHES		TOLERANCES UNLESS OTHERWISE SPECIFIED:		APVD LARRY LAYNER 3-11-87	
0 PLC ± -		1 PLC ± -		NAME	
2 PLC ± -		3 PLC ± -		PRODUCT SPEC	
4 PLC ± -		ANGLES ± 0°30'		APPLICATION SPEC	
MATERIAL SEE TABLE		FINISH SEE TABLE		WEIGHT 0	
		CUSTOMER DRAWING		SCALE NTS SHEET 2 OF 2 REV F	