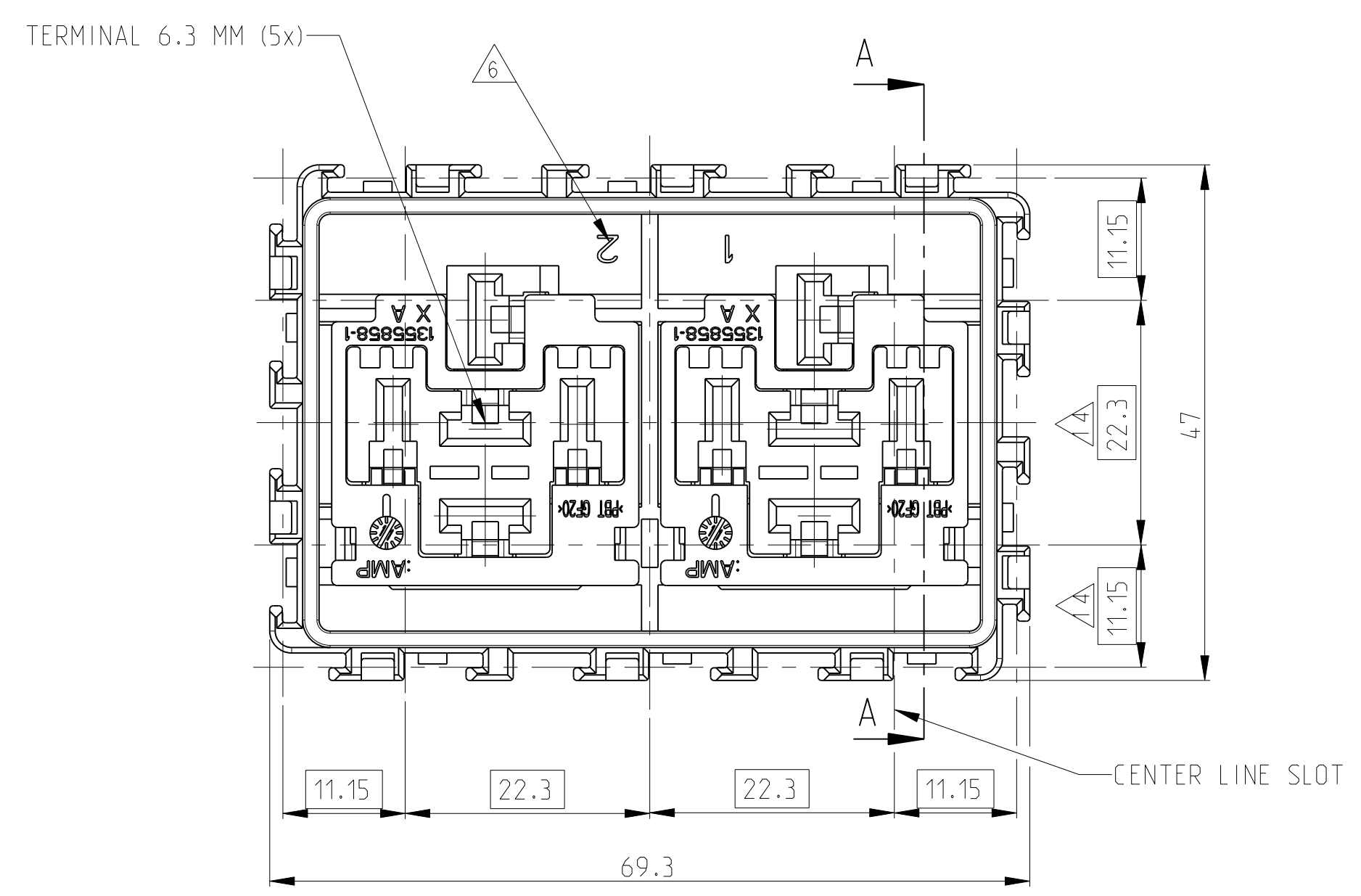
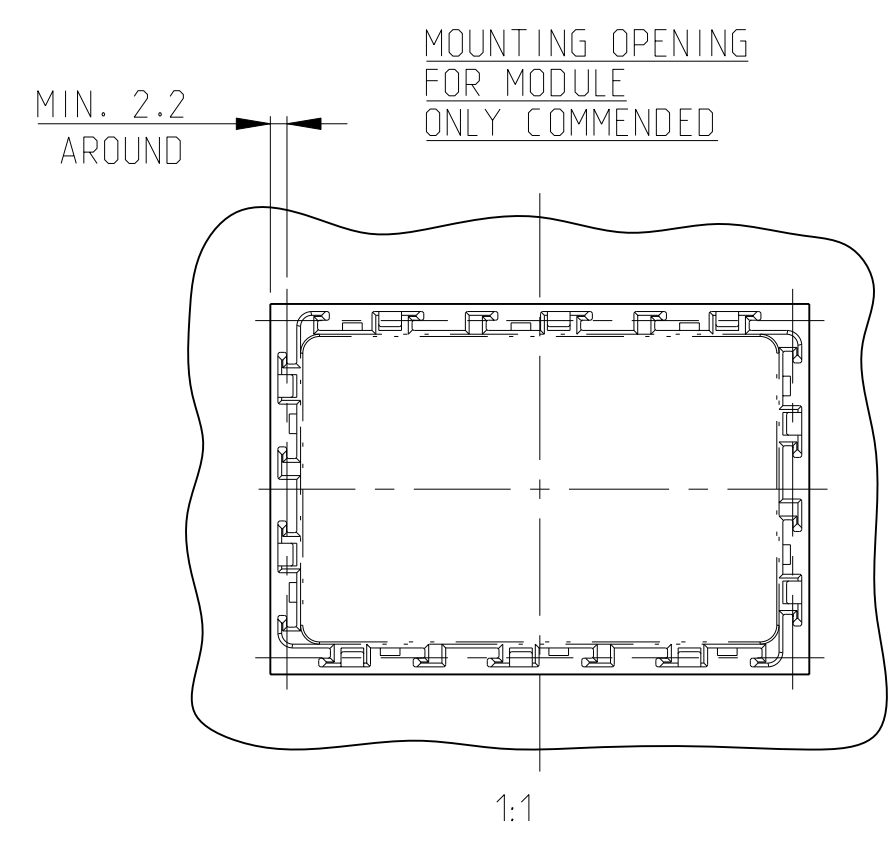
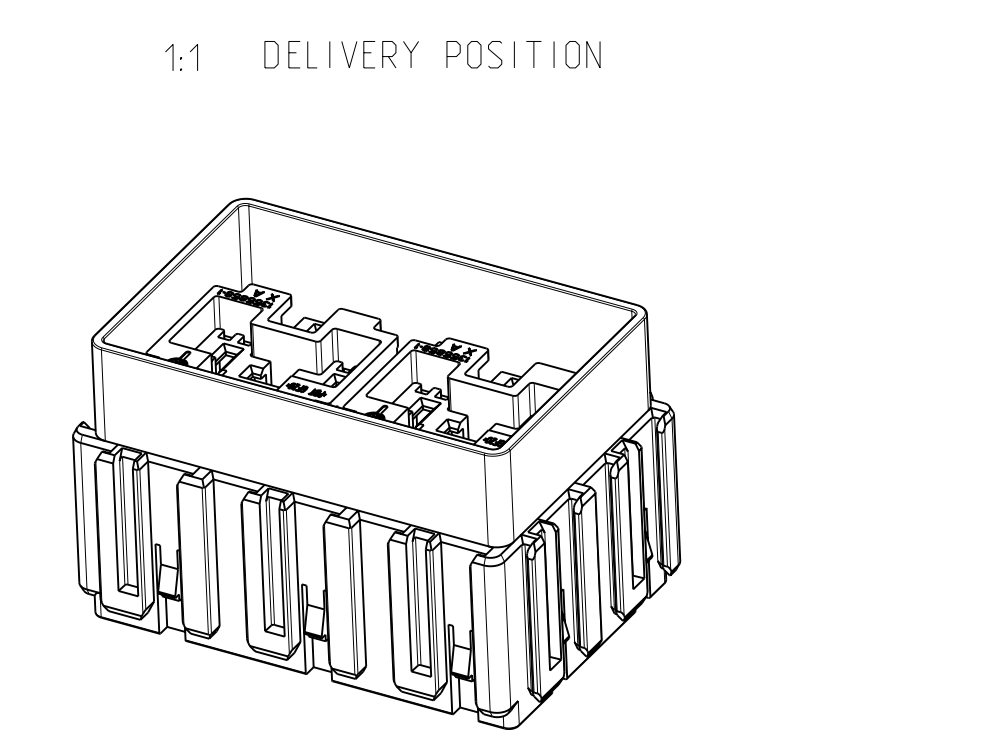
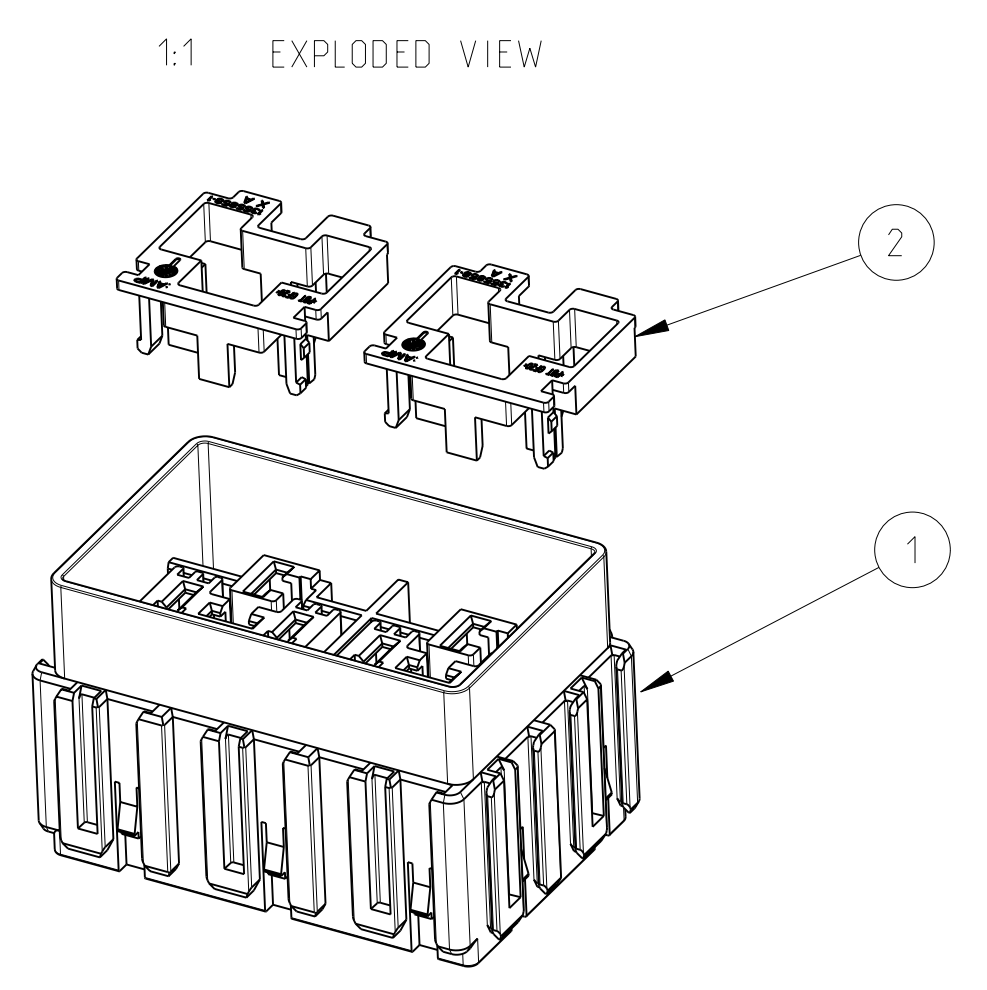
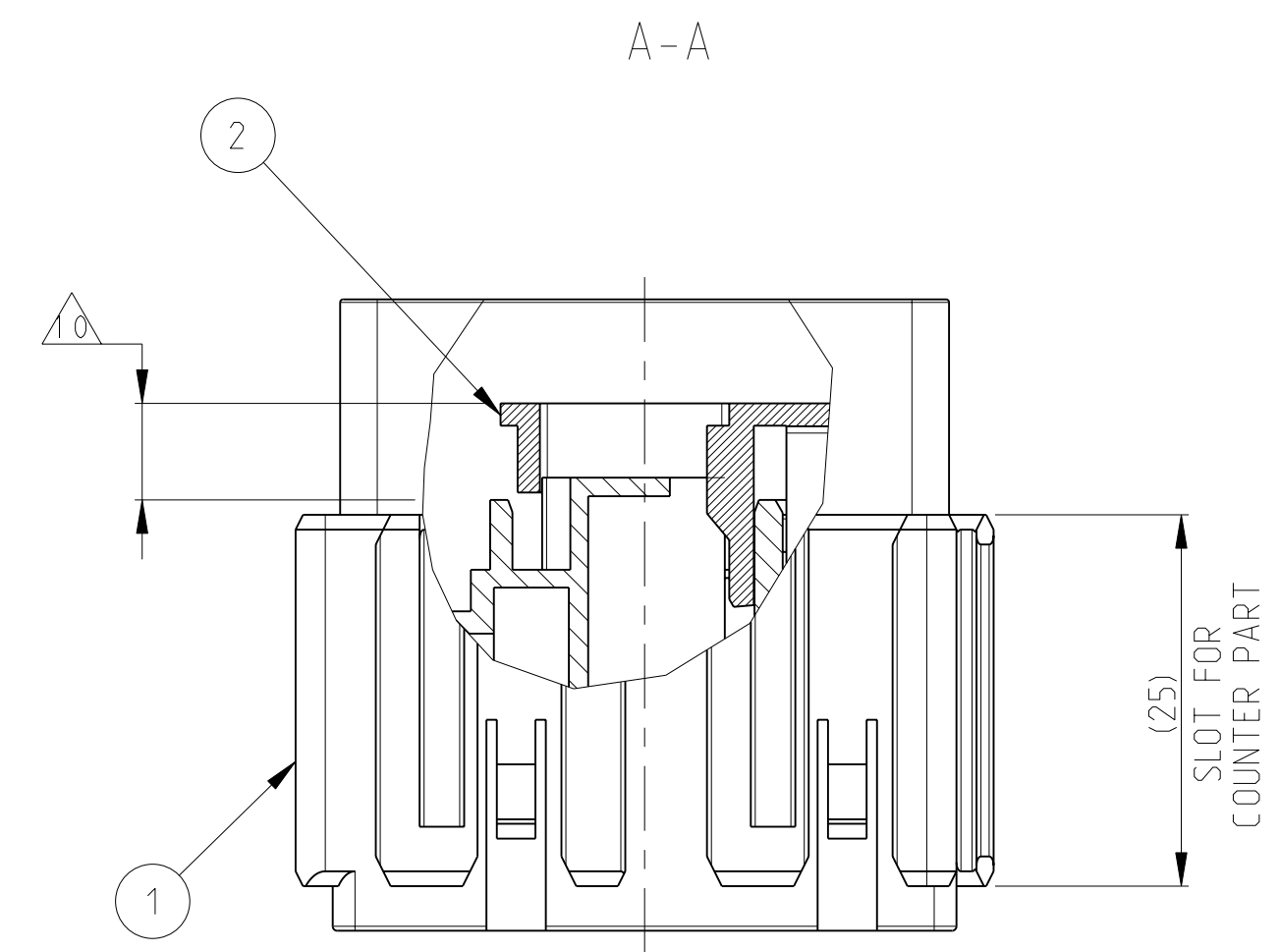
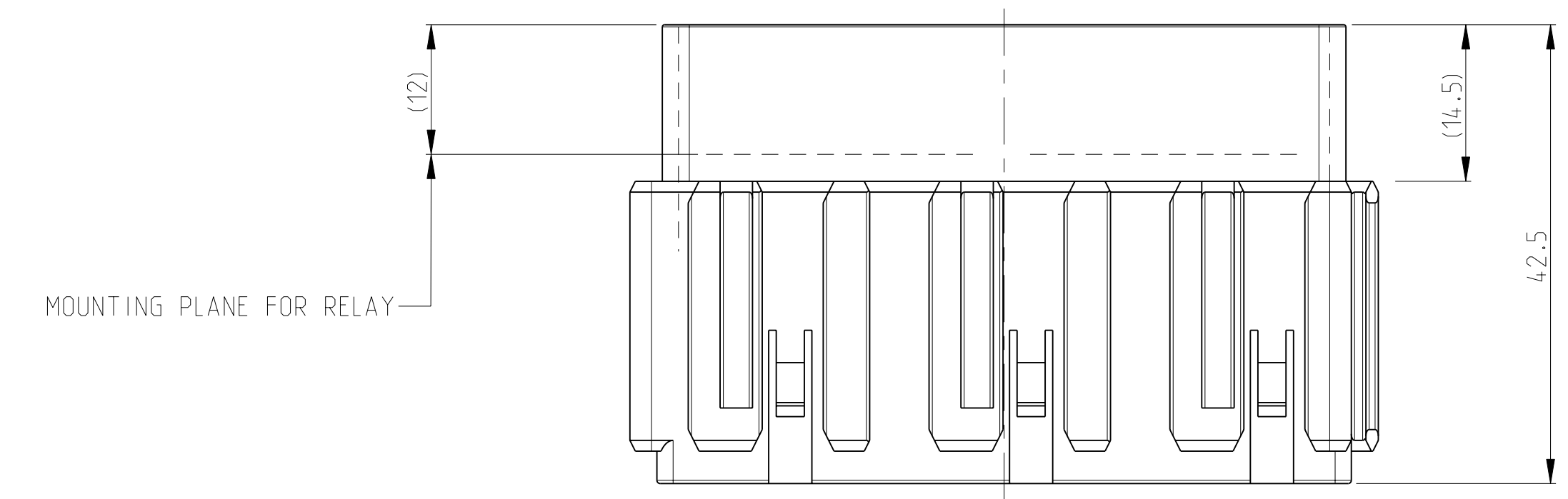
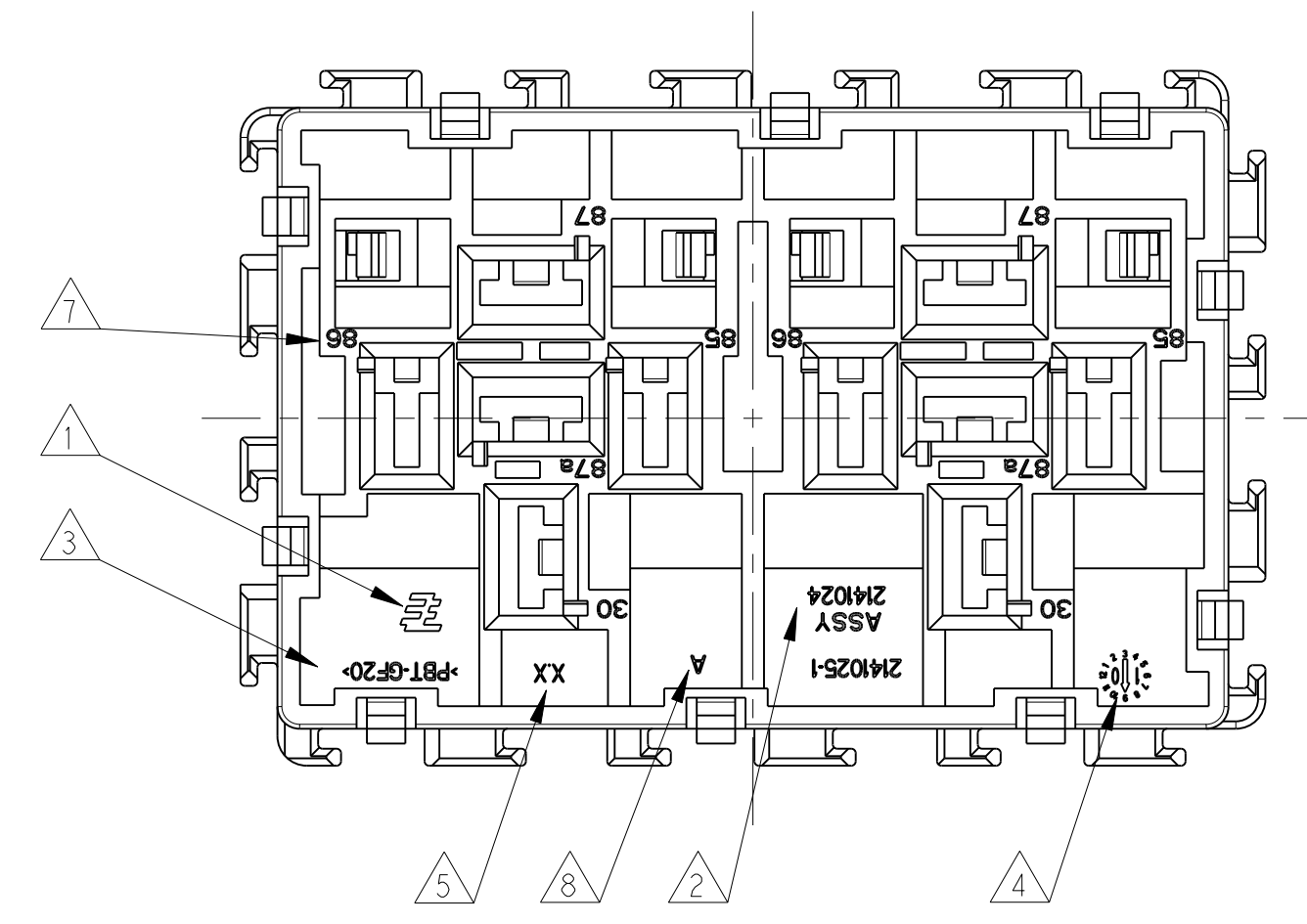


LOC	DIST	REV	DATE	BY	APP
A1	-	A	13SEP2010	Neu.	-
		A1	28JUN2012	SK	RH



NOTES

- 1 TE LOGO
- 2 TE ORDER NUMBER
- 3 MATERIAL MARKING
- 4 PRODUCTION DATE
- 5 TOOL CAVITY MARKING
- 6 SLOT MARKING
- 7 CAVITY MARKING
- 8 REVISION NUMBER
- 9 PACKAGING: LAYERS IN CARD BOARD BOX
- 10 SPACER FOR ALL RELAYS IN PRE LATCHED POSITION
- 11 PARTS ARE TO BE FREE OF SCRATCHES DISCOLORATION, SALT RESIDUE OR OTHER IMPERFECTIONS THAT MAY AFFECT FUNCTION OR FIT OF PART
- 12 FOR MORE OR ACTUAL INFORMATION ABOUT TERMINALS PLEASE CONTACT SUPPLIER OR TE
- 13 OVER VIEW PRODUCT GROUP SEE : 114-94092
- 14 SYSTEM PITCH DIMENSION'S FOR MULTIPLE PLUG IN SYSTEM
- 15 PLEASE NOTE: MAX. CURRENT CARRYING CAPACITY OF MODULE SEE: 108-94263

TE ORDER NO STRIP FORM	TE ORDER NO LOSE PIECE	SUPPLIER LEAR	WIRE CODE	MATERIAL	FINISH
		361730-YF200	(2)22 (2)24	Cu	PRE TIN PLATED
		362230-YF200	22-24	Cu	PRE TIN PLATED
		361830-YF200	18-20	Cu	PRE TIN PLATED
2208343-1		361330-YF200	(1)16+(1)18 (2)20	Cu	PRE TIN PLATED
		361130-YF200	(2)14	Cu	PRE TIN PLATED
2208343-2		361430-YF200	14-16	Cu	PRE TIN PLATED
2208343-3		361030-YF200	10-12	Cu	PRE TIN PLATED

RECOMMENDED TERMINAL SYSTEM: 6.3 MM

USED WITH:
ALLOCATED FOR: MINI RELAY 40A MAX.
NOMINAL VOLTAGE SYSTEM: 12V
TEMPERATURE CLASS: -40 TO 85 °C
VIBRATION CLASS: 1, ON BODY OR CHASSIS
SEALED CLASS: 0
ONLY BASIC DATA FOR DETAIL SEE PRODUCT SPEC

2141024-1	A	63.04	2	2x	SPACER	PBT-GF20	RED	2
			1	1x	HOUSING	PBT-GF20	BLACK	1
TE ASSY NO.	REV	WEIGHT [g]	POS.	QTY.	DESCRIPTION	MATERIAL	COLOUR SURFACE	ITEM NO

THIS DRAWING IS A CONTROLLED DOCUMENT.

DIMENSIONS: mm	TOLERANCES UNLESS OTHERWISE SPECIFIED:	0 PLC ±0.5	1 PLC ±0.5	2 PLC ±0.5	3 PLC ±	4 PLC ±	ANGLES ±0.2°	FINISH SEE TABLE
----------------	----------------------------------------	------------	------------	------------	---------	---------	--------------	------------------

OWN: H. NEUMEUER 13SEP2010	CHK: R. HECKER 13SEP2010	APPV: G. MUMPER 13SEP2010	NAME: MINI RELAY MODULE 2POS ASSY
PRODUCT SPEC: 108-94263	APPLICATION SPEC: 114-94090	WEIGHT: SEE TABLE	SCALE: 1:1

STE TE Connectivity

SIZE: CAGE CODE DRAWING NO: A1 00779 C=2141024

CUSTOMER DRAWING

RESTRICTED TO: -

SCALE: 1:1 SHEET: 1 OF 1 REV: A1