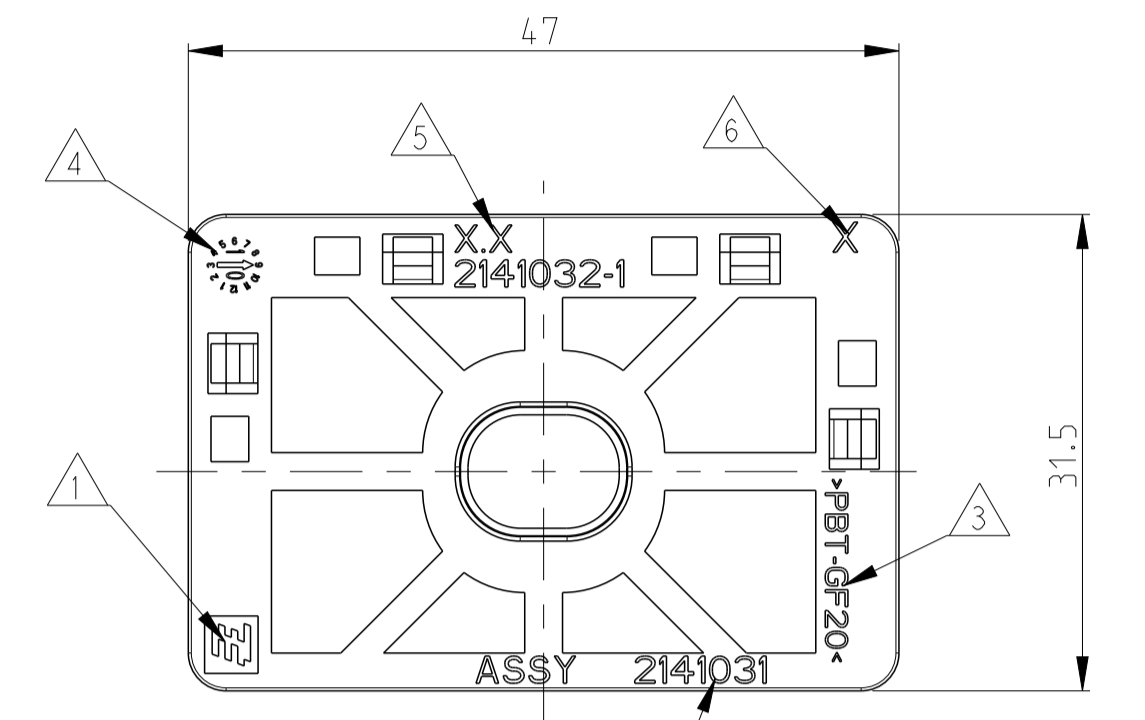
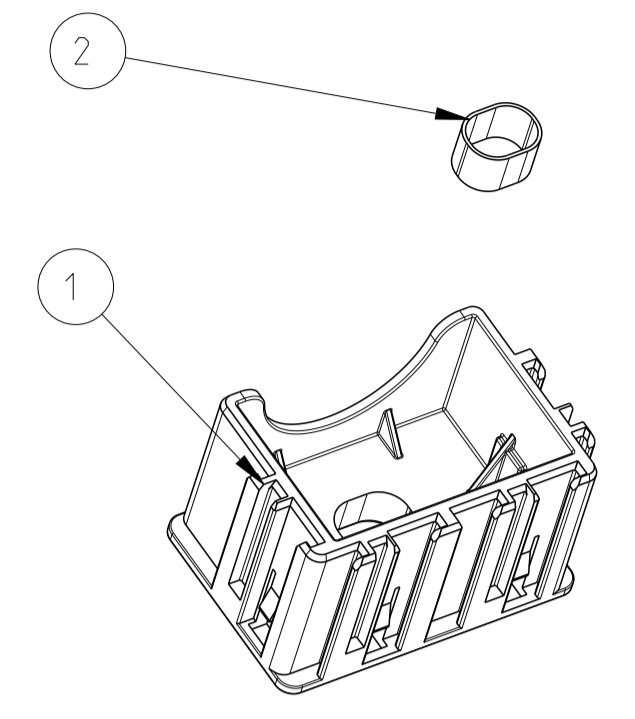


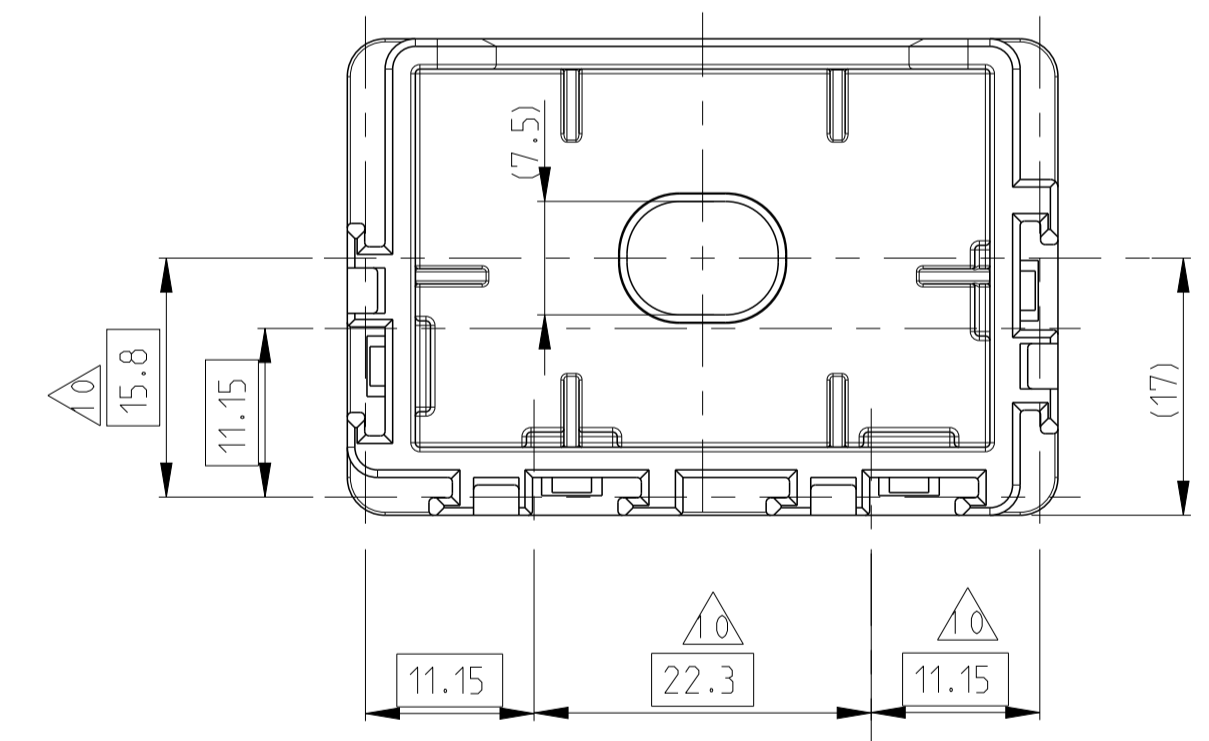
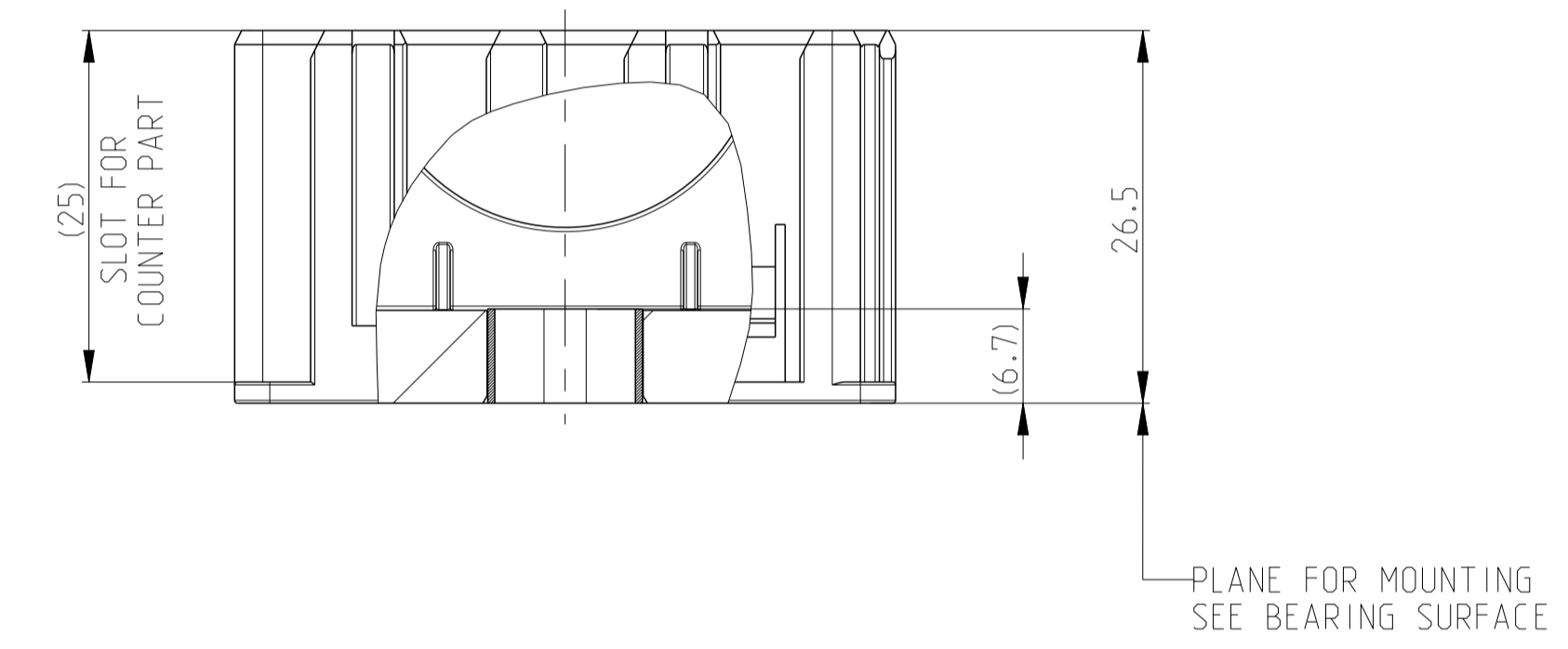
LOC	DIST	REV	DATE	APPV	APVD
A1	-	A	13SEP2010	Neu.	-
		A1	11DEC2012	SK	RH

PN 2141031-1
180° VERSION

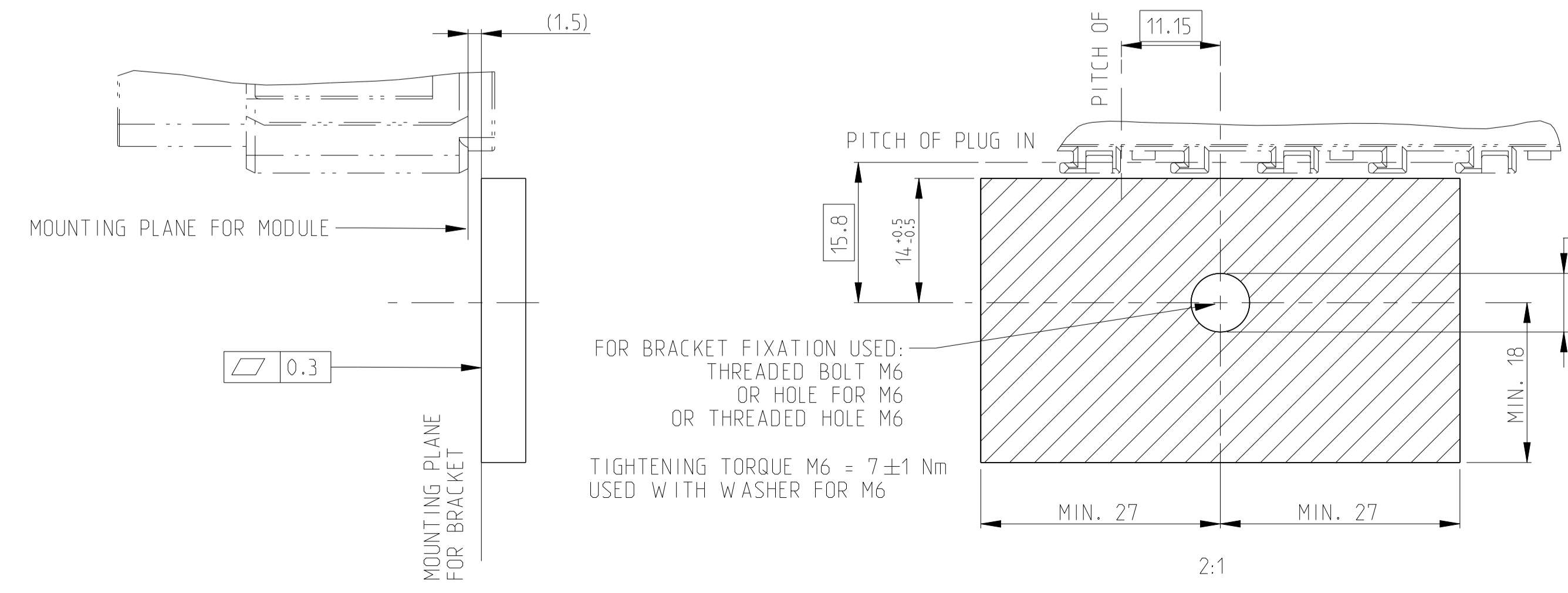
1:1 EXPLODED VIEW



B-B

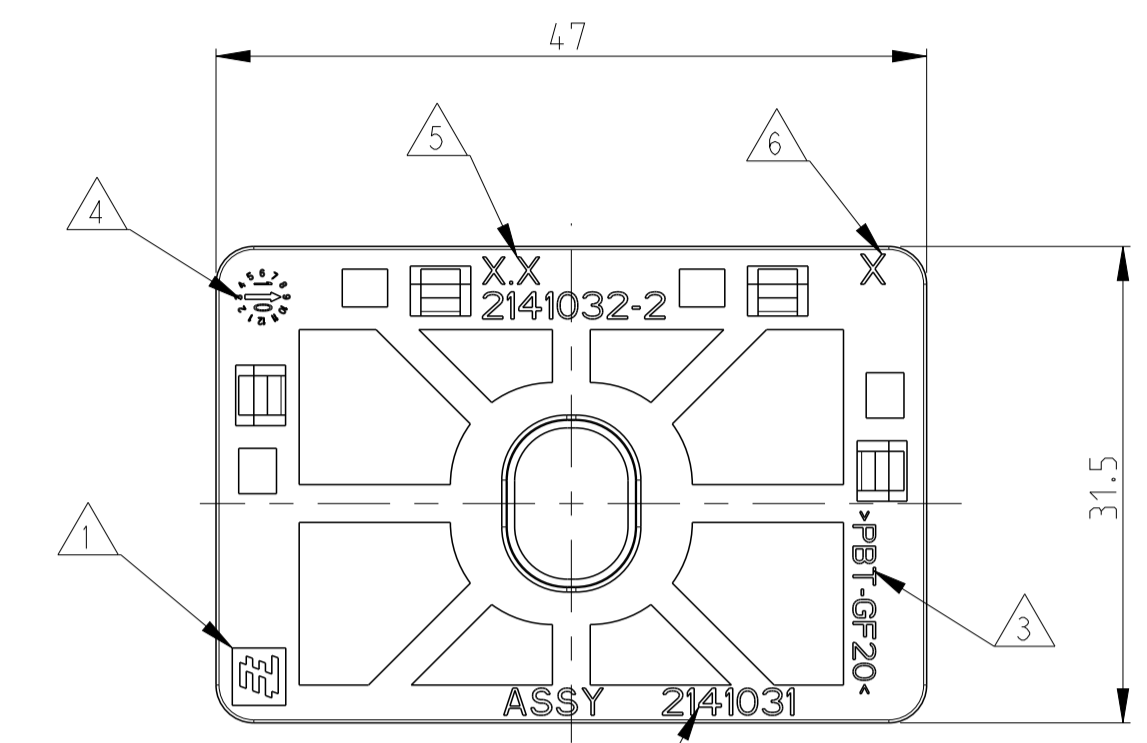
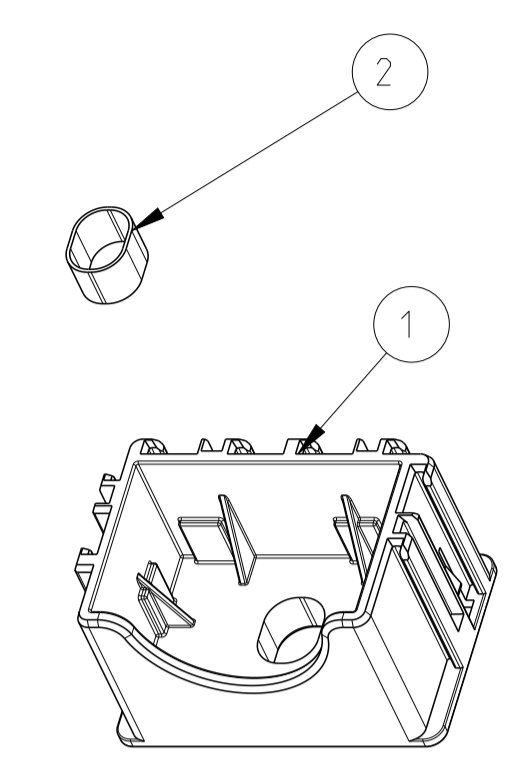


BEARING SURFACE FOR BRACKET MODULE 90° AND 180° VERSION ONLY COMMENTED

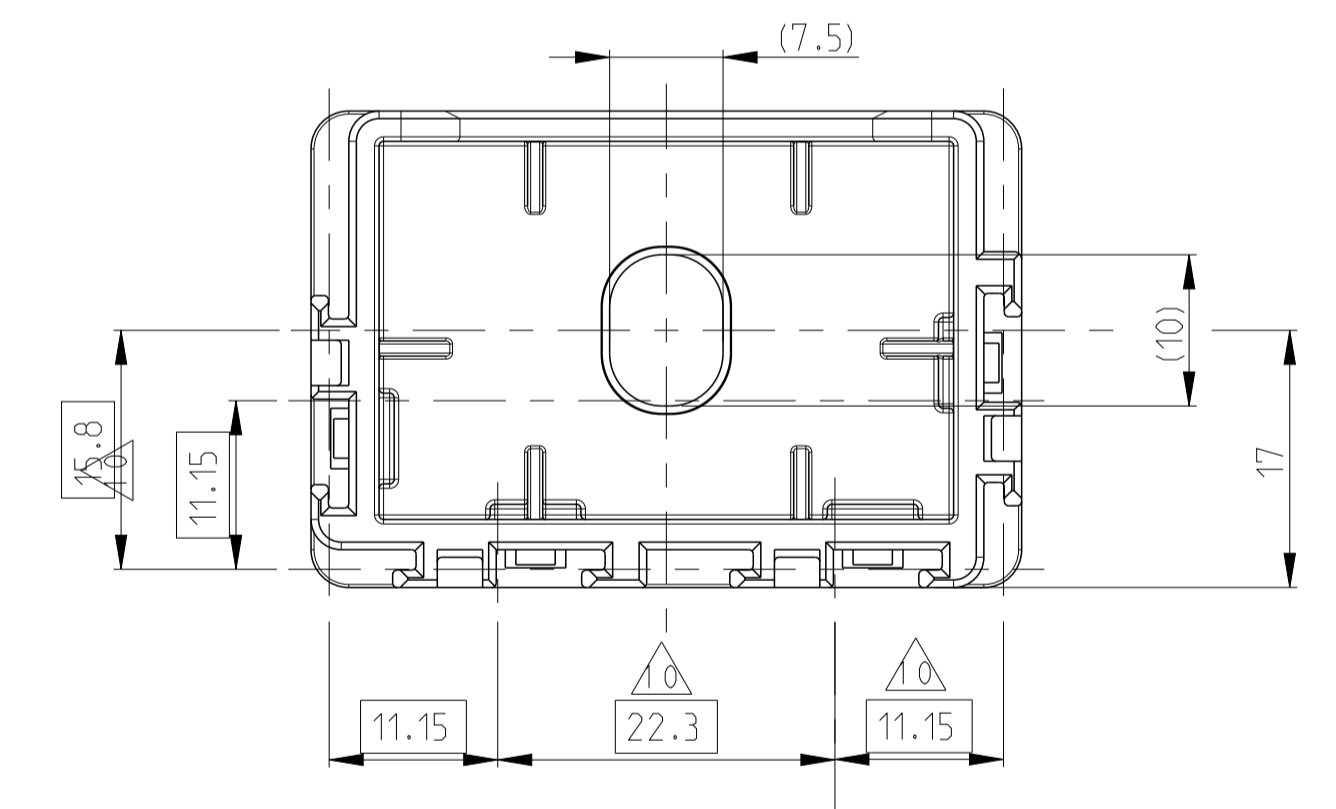
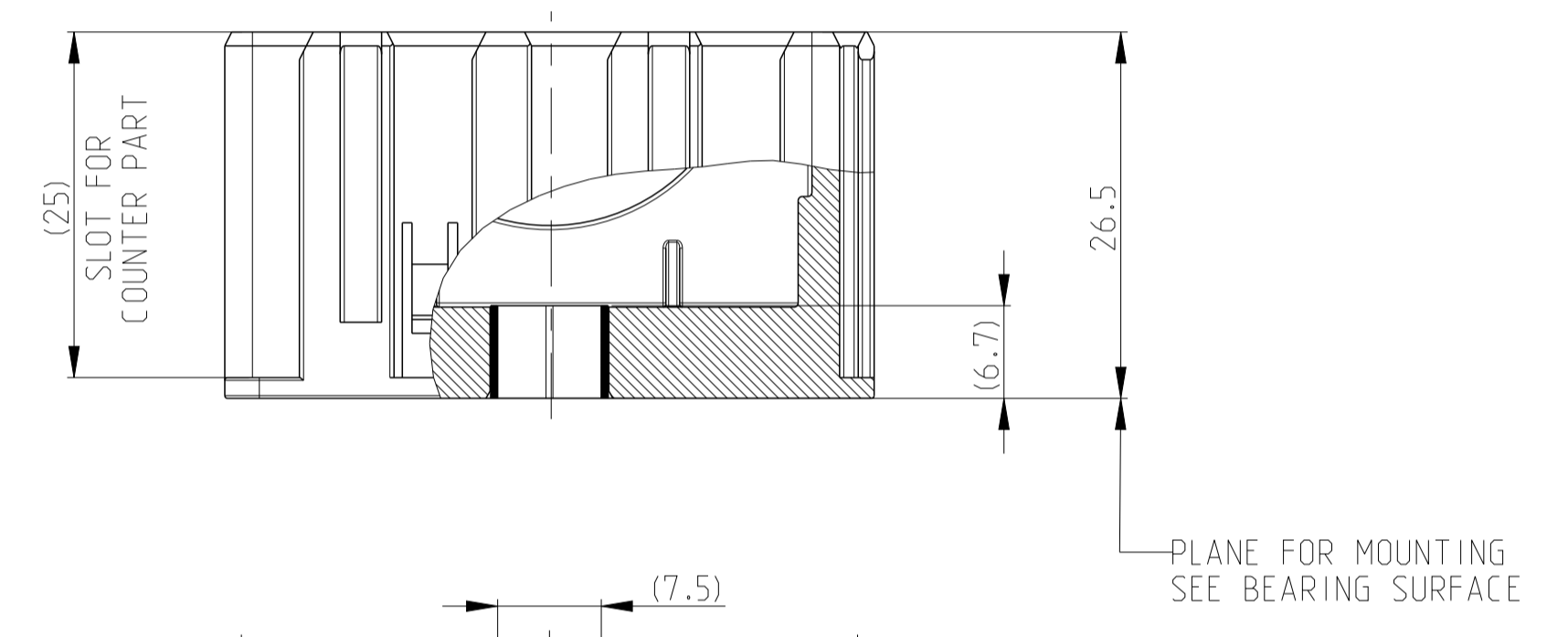


PN 2141031-2
90° VERSION (A1)

1:1 EXPLODED VIEW



B-B



CENTER LINE SLOT

- NOTES
- 1 TE LOGO
 - 2 TE ORDER NUMBER
 - 3 MATERIAL MARKING
 - 4 PRODUCTION DATE
 - 5 TOOL CAVITY MARKING
 - 6 REVISION NUMBER
 - 7 PACKAGING: BULK MATERIAL IN CARD BOARD BOX
 - 8 PARTS ARE TO BE FREE OF SCRATCHES DISCOLORATION, SALT RESIDUE OR OTHER IMPERFECTIONS THAT MAY AFFECT FUNCTION OR FIT OF PART
 - 9 OVER VIEW PRODUCT GROUP SEE : 114-94092
 - 10 SYSTEM PITCH DIMENSION'S FOR MULTIPLE PLUG IN SYSTEM

TE ASSY NO.	REV	WEIGHT [g]	POS.	QTY.	DESCRIPTION	MATERIAL	COLOR SURFACE	ITEM NO.
2141031-2	B	18.12	2	1	SLEEVE OVAL	STEEL	ZINCED	4
			1	1	HOUSING 90°	PBT-GF20	BLACK	3
2141031-1	B	18.12	2	1	SLEEVE OVAL	STEEL	ZINCED	2
			1	1	HOUSING 180°	PBT-GF20	BLACK	1

USED WITH: 9

TEMPERATURE CLASS: -40 TO 85 °C

VIBRATION CLASS: 1, ON BODY OR CHASSIS

ONLY BASIC DATA FOR DETAIL SEE PRODUCT SPEC

THIS DRAWING IS A CONTROLLED DOCUMENT. OWN: H. NEUMEUER 13SEP2010, CHK: R. HECKER 13SEP2010, APPV: G. MUMMER 13SEP2010

DIMENSIONS: mm. TOLERANCES UNLESS OTHERWISE SPECIFIED: 0 PLC ±0.5, 1 PLC ±0.5, 2 PLC ±0.5, 3 PLC ±0.5, 4 PLC ±0.5, ANGLES ±0.2°

MATERIAL: SEE TABLE. FINISH: SEE TABLE

WEIGHT: SEE TABLE. CUSTOMER DRAWING

NAME: BRACKET MODULE ASSY. SIZE: 114-94090. CAGE CODE: 00779. DRAWING NO: 2141031. RESTRICTED TO: A1

SCALE: 2:1. SHEET: 1 OF 1. REV: A1