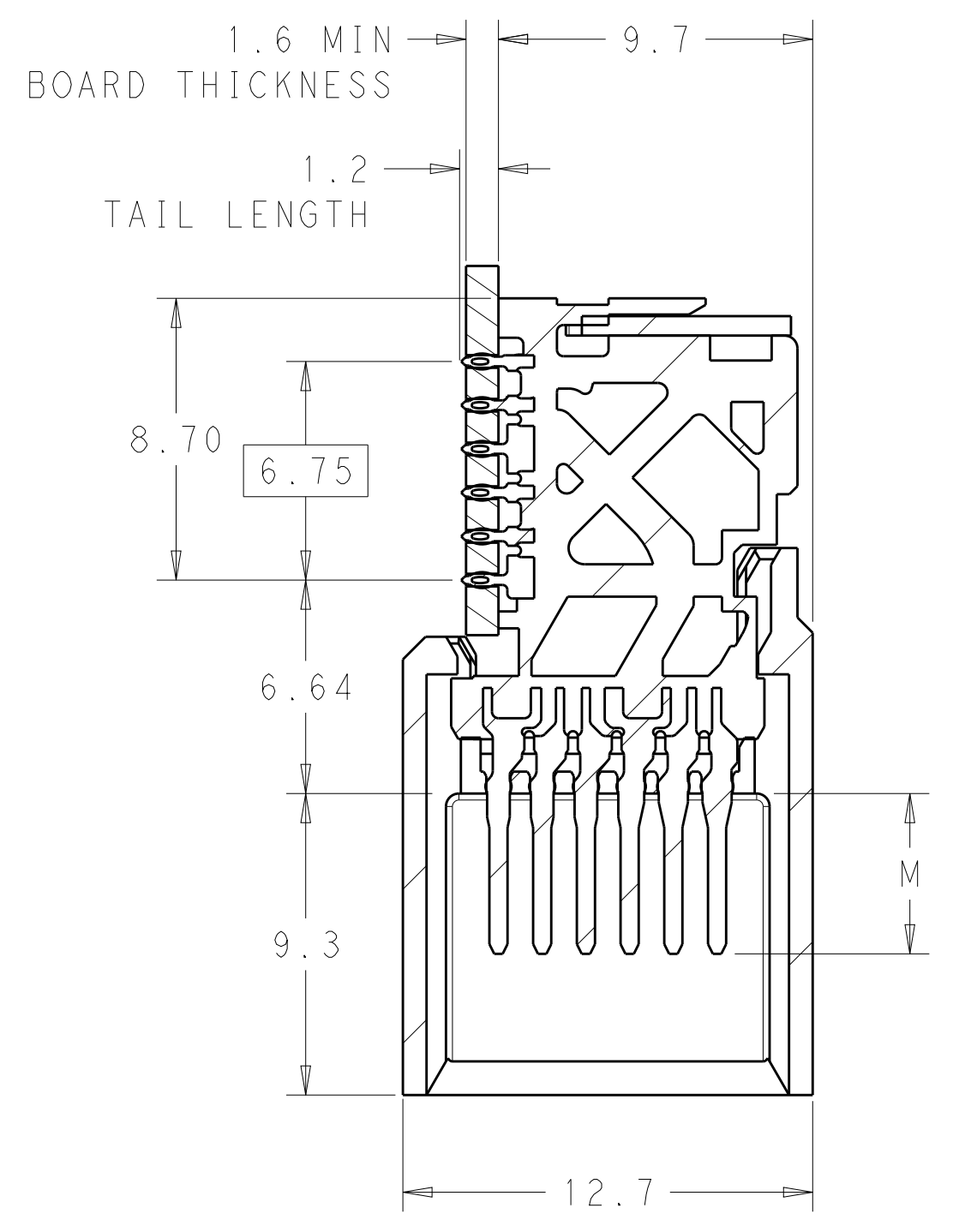
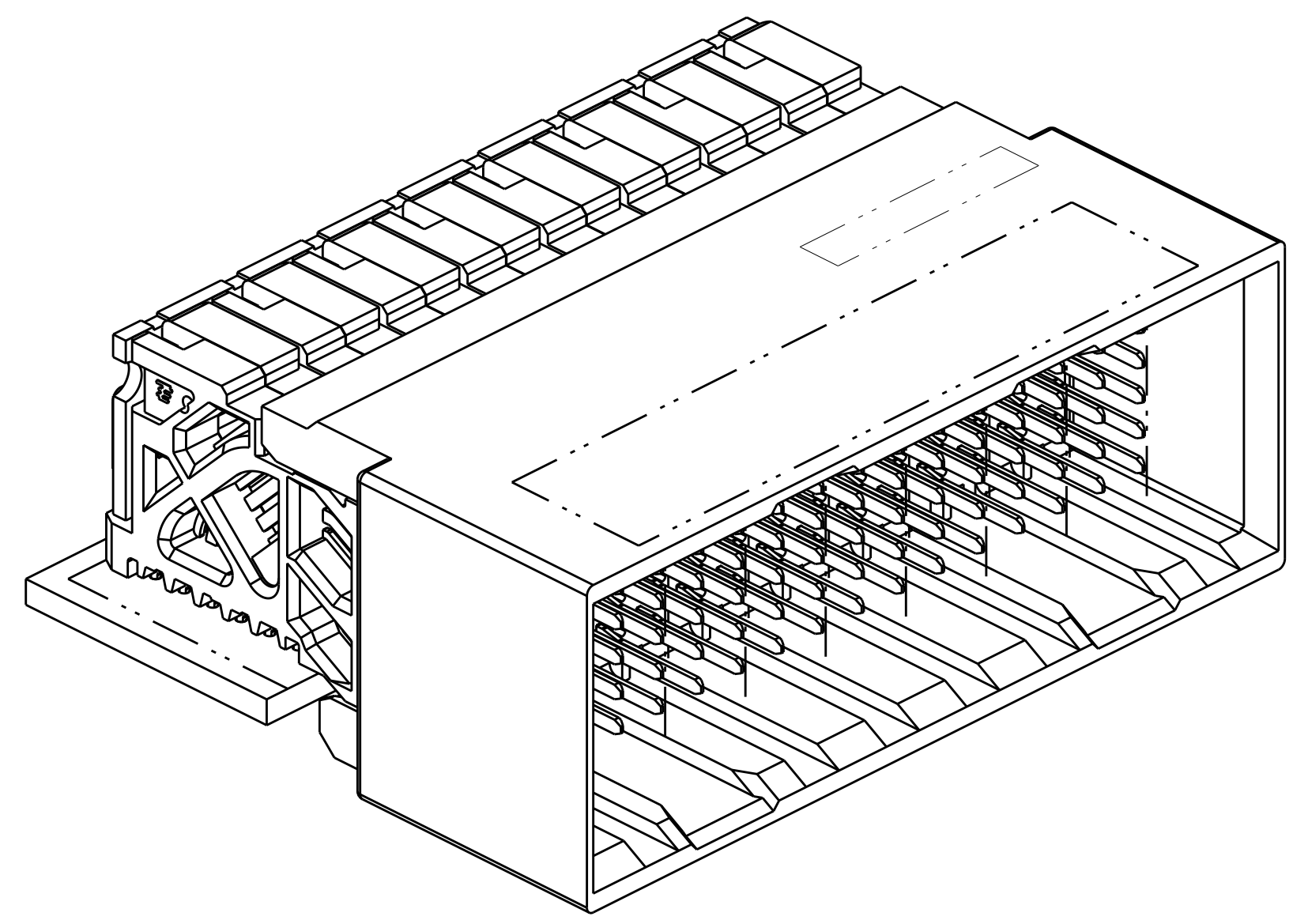
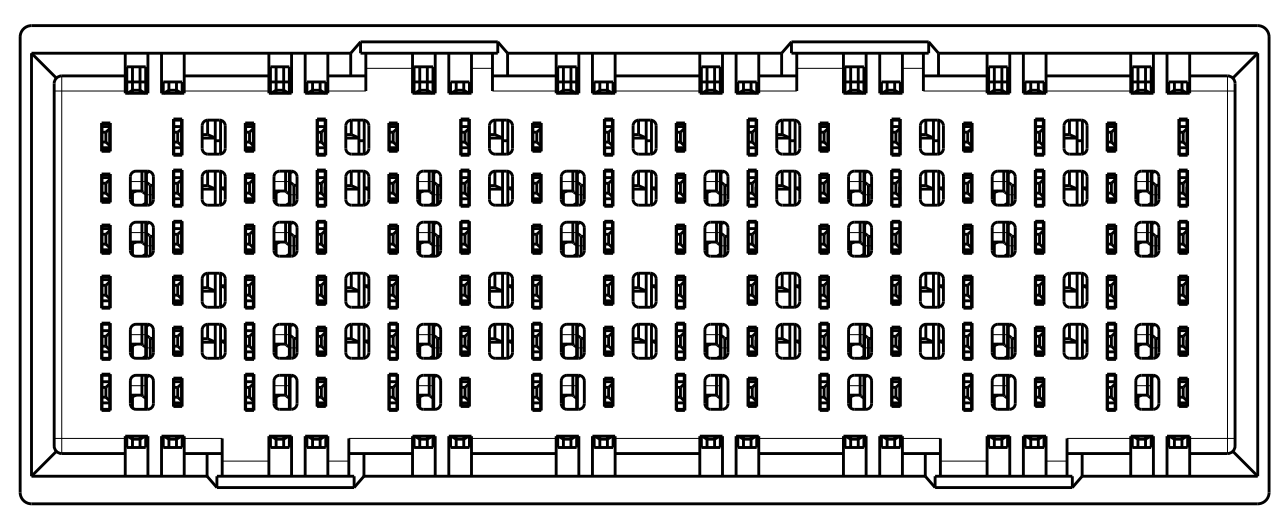
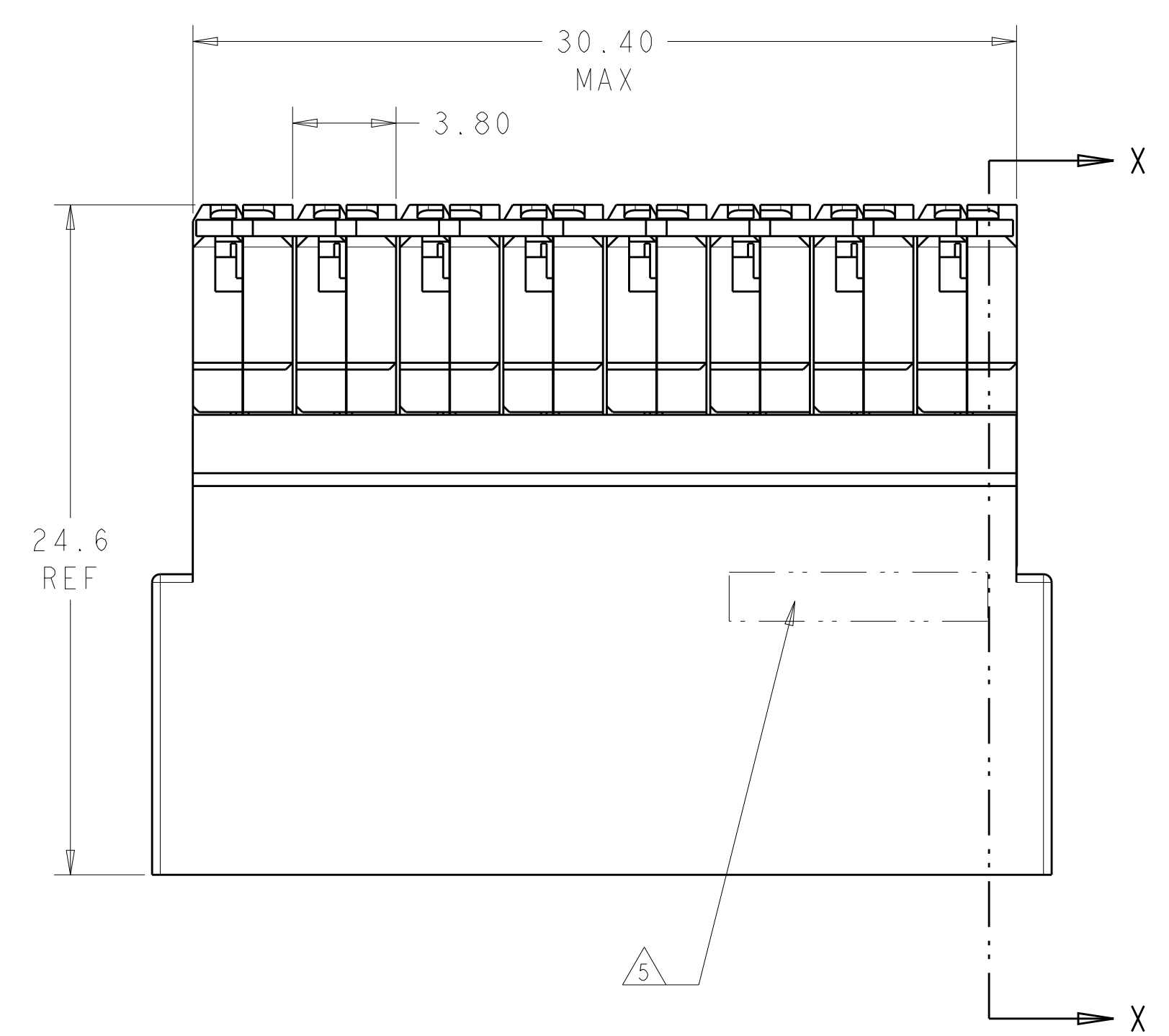


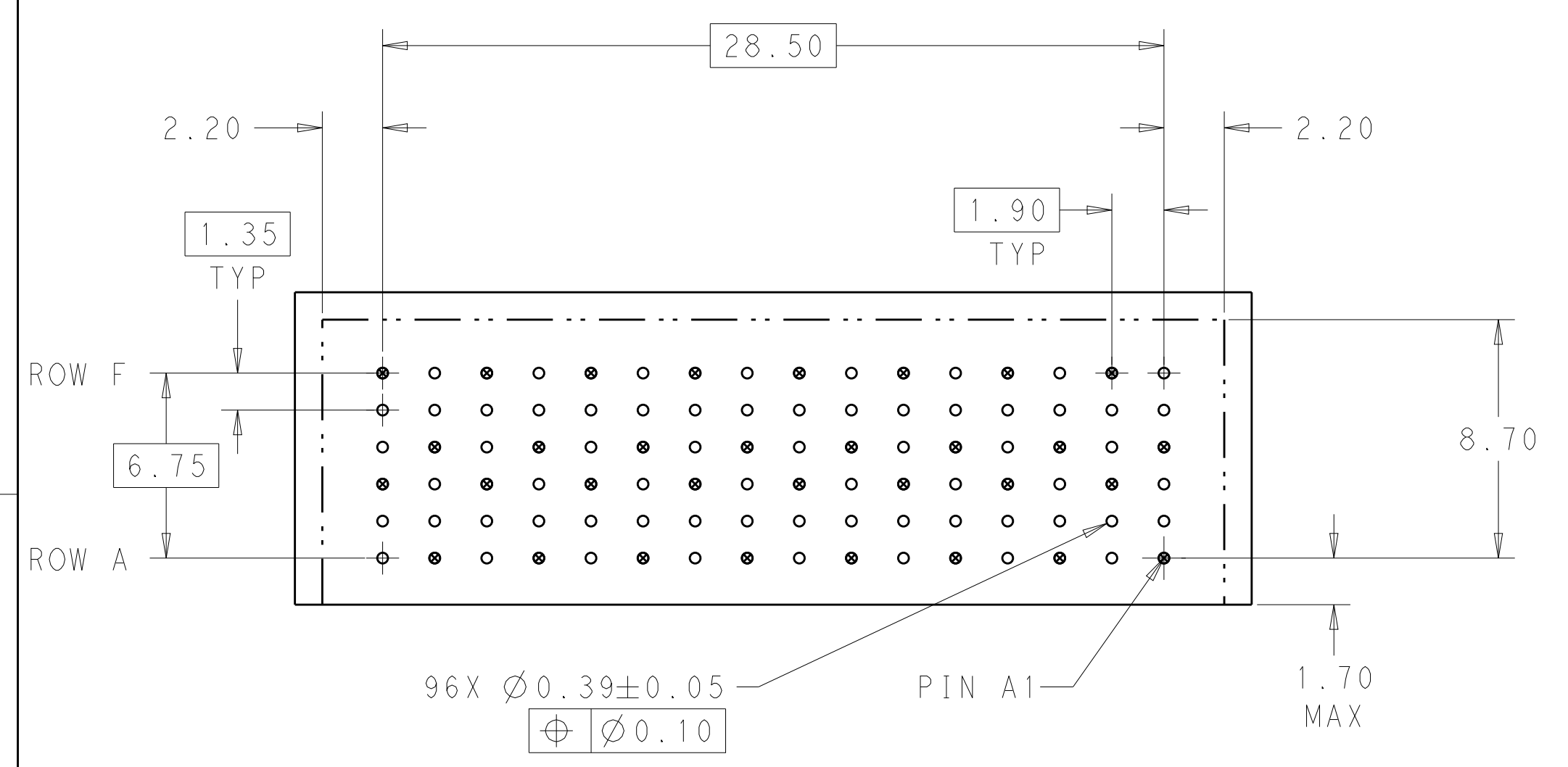
LOC		DIST		REVISIONS			
AD	00	P	LTN	DESCRIPTION	DATE	DWN	APVD
		C		REVISED PER ECO-14-005775	21APR2014	AP	DD



SECTION X-X



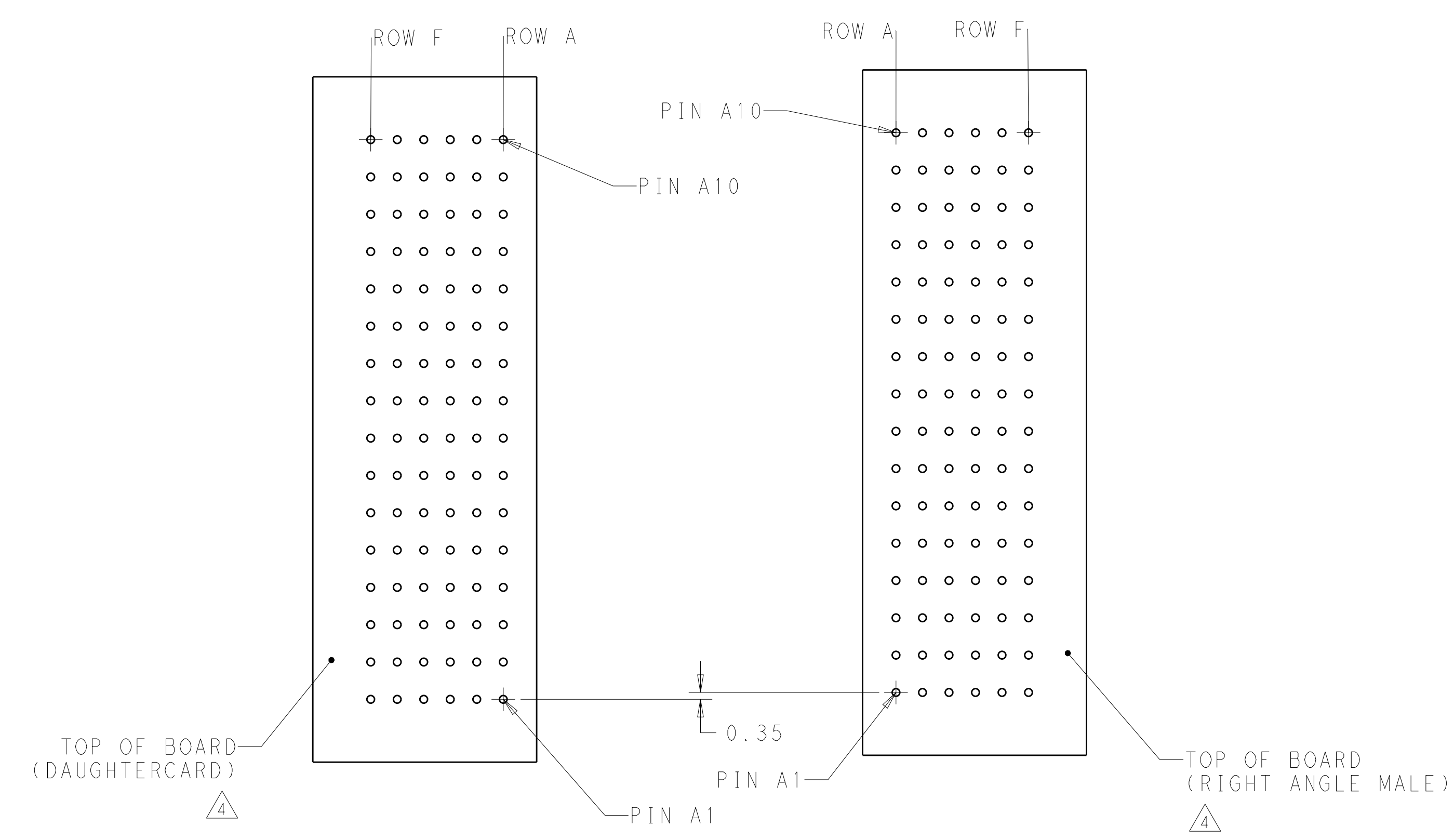
- 1 MATERIAL:
HOUSING: LCP, GLASS FILLED, UL94V-0.
TERMINALS: HIGH PERFORMANCE COPPER ALLOY.
- 2 FINISH:
30µm SELECTIVE GOLD IN CONTACT AREA. SELECTIVE TIN ON PCB TAILS, NICKEL OVERALL.
- 3 FINISH:
30µm SELECTIVE GOLD IN CONTACT AREA. SELECTIVE TIN-LEAD ON PCB TAILS, NICKEL OVERALL.
- 4 UNGUIDED RIGHT ANGLE MALE MATES TO UNGUIDED RIGHT ANGLE RECEPTACLE.
- 5 TE LOGO LOCATED IN APPROXIMATE LOCATION.



RECOMMENDED PCB LAYOUT

THIS DRAWING IS A CONTROLLED DOCUMENT.		DWN	07APR2011	STE TE Connectivity
DIMENSIONS:		CHK	07APR2011	
mm	TOLERANCES UNLESS OTHERWISE SPECIFIED:	APVD	07APR2011	NAME: IMPACT, STD, RAM, 2 PAIR, 16 COLUMN, UNGUIDED DUALEND WALL SIGNAL MODULE, 0.39 EYELET
	0 PLC ±	PRODUCT SPEC		
	1 PLC ±0.25	APPLICATION SPEC		SIZE
	2 PLC ±0.13			CAGE CODE
	3 PLC ±			DRAWING NO
	4 PLC ±			RESTRICTED TO
	ANGLES ±	WEIGHT		A100779
MATERIAL	FINISH SEE TABLE	CUSTOMER DRAWING		SCALE 5:1
				SHEET 1 OF 2
				REV C

LOC		DIST		REVISIONS			
P	LTN	DESCRIPTION	DATE	DWN	APVD		
-	-	SEE SHEET 1	-	-	-		



COPLANAR MATED SIGNAL PATHS



	5.50	2143311-6
	4.90	2143311-5
	5.50	2143311-3
	4.90	2143311-2
FINISH	DIM M	PART NUMBER

REFER TO WWW.TE.COM FOR PRODUCT AVAILABILITY

THIS DRAWING IS A CONTROLLED DOCUMENT.		DWN	07APR2011	STE TE Connectivity
DIMENSIONS:		CHK	07APR2011	
mm		J. EARY		
TOLERANCES UNLESS OTHERWISE SPECIFIED:		APVD	07APR2011	
0 PLC	±	NAME		IMPACT, STD, RAM, 2 PAIR, 16 COLUMN, UNGUIDED DUALEND WALL SIGNAL MODULE, 0.39 EYELET
1 PLC	±0.25	PRODUCT SPEC		
2 PLC	±0.13	APPLICATION SPEC		
3 PLC	±	WEIGHT		
4 PLC	±	MATERIAL		
ANGLES	±	CUSTOMER DRAWING		
FINISH	SEE TABLE	SCALE		5:1
MATERIAL		SHEET		2 OF 2
MATERIAL		REV		C