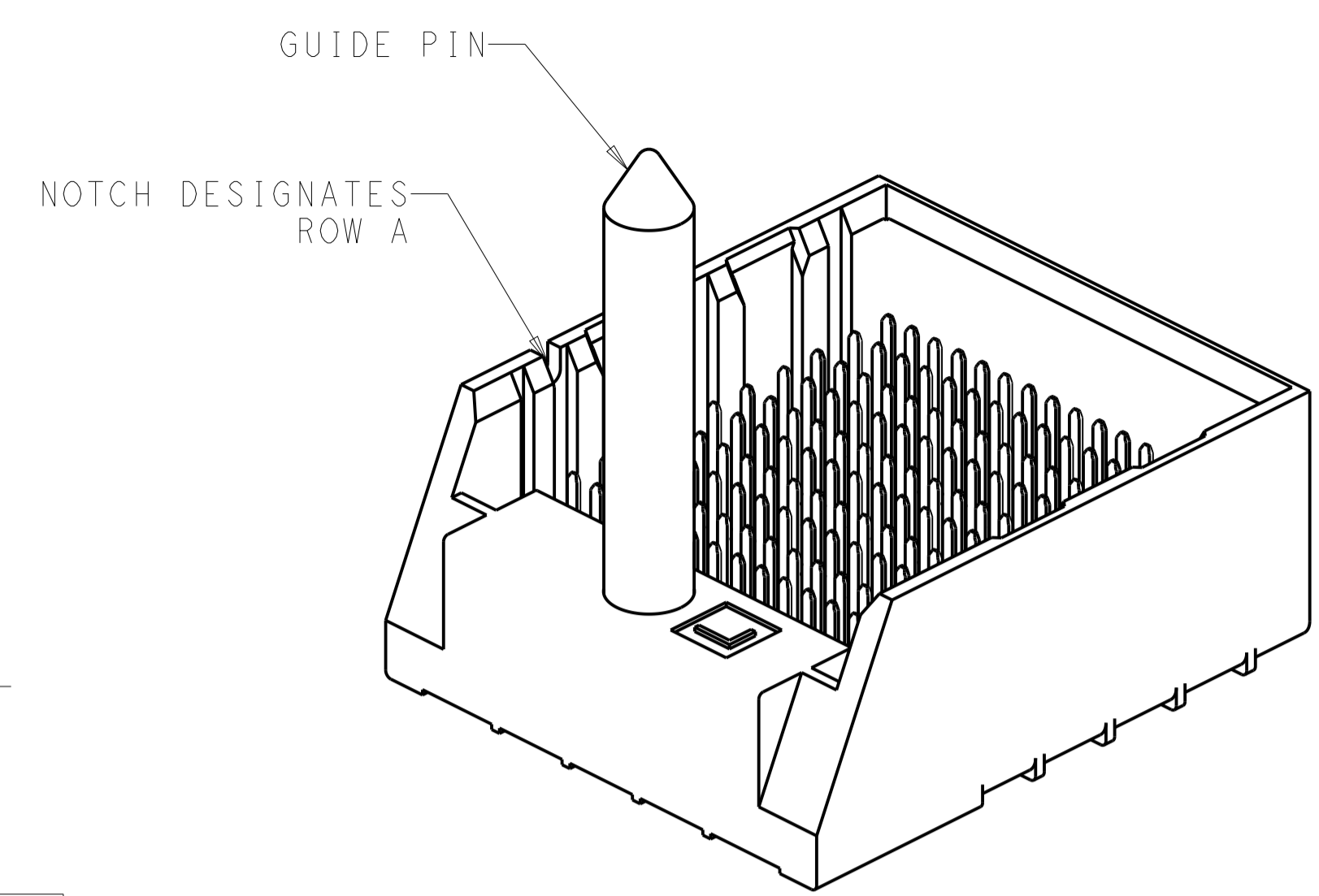
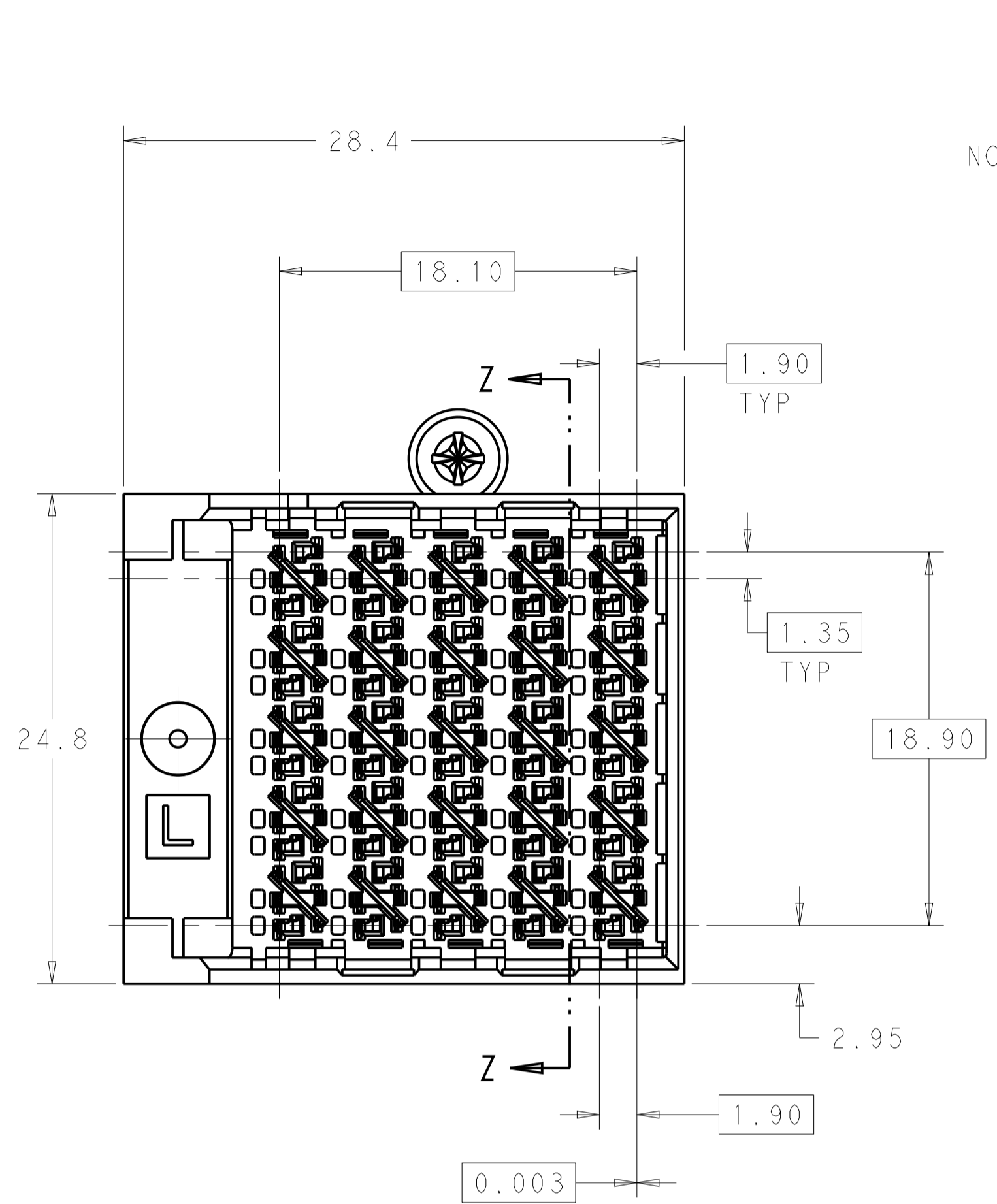
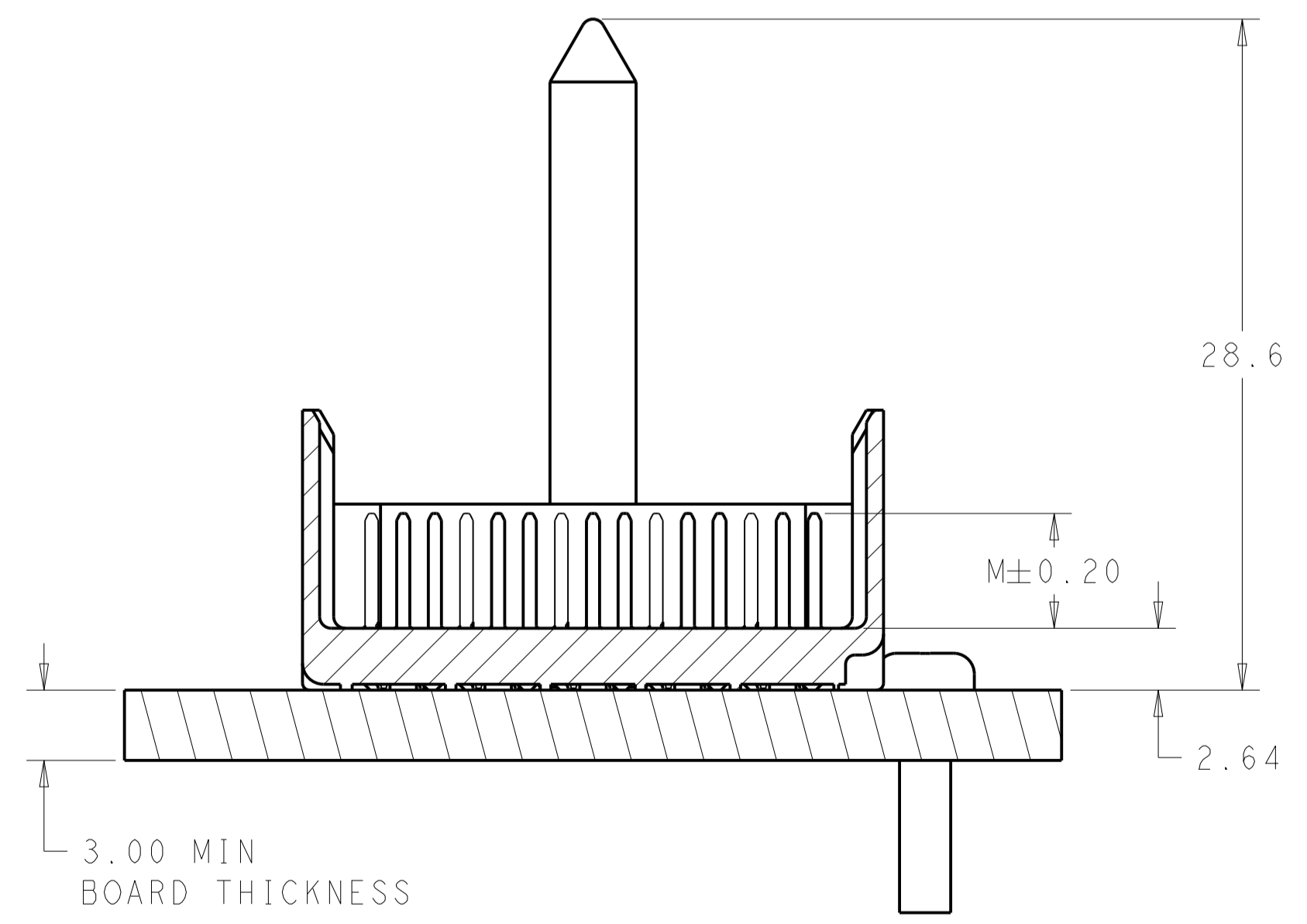
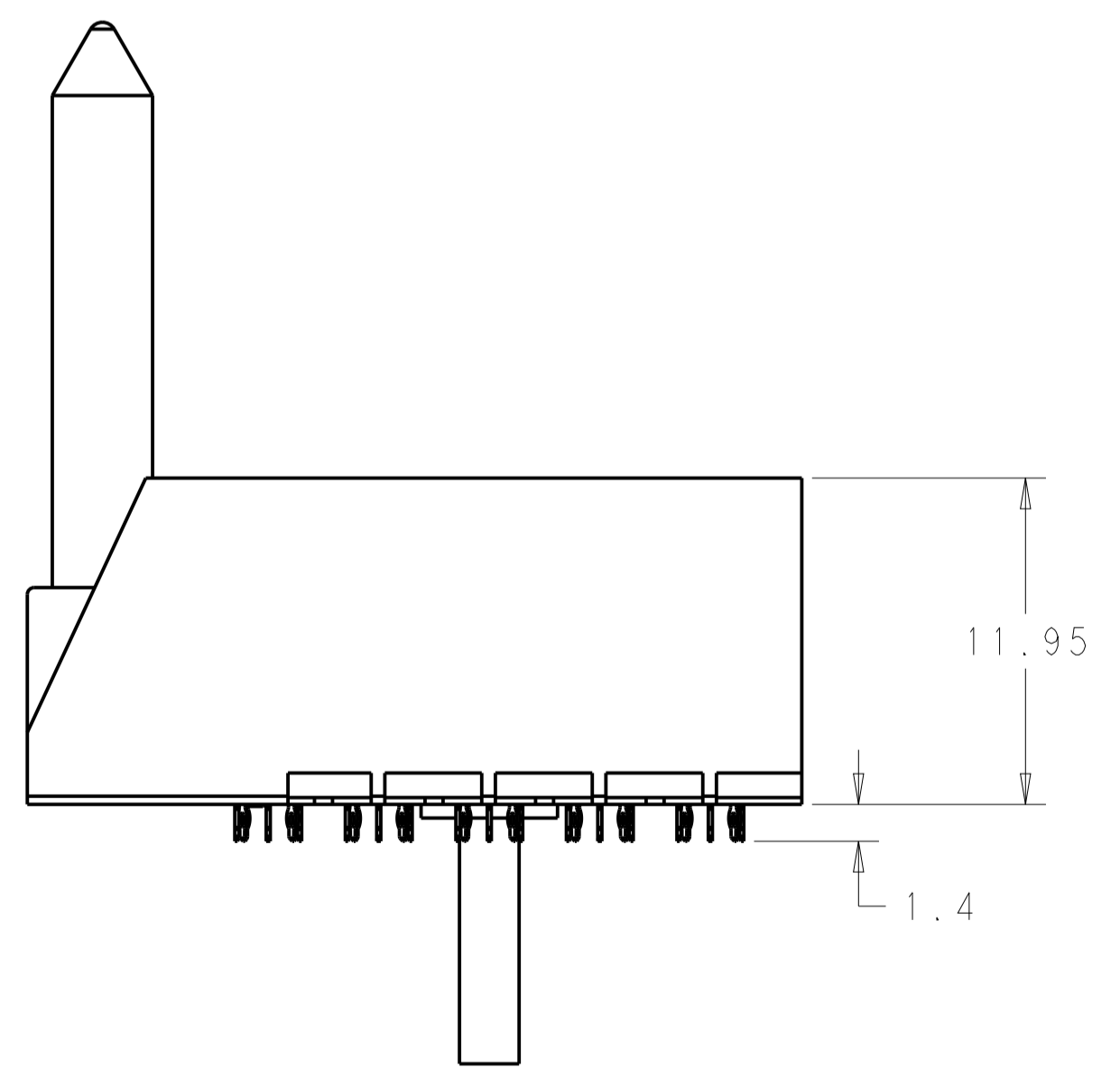
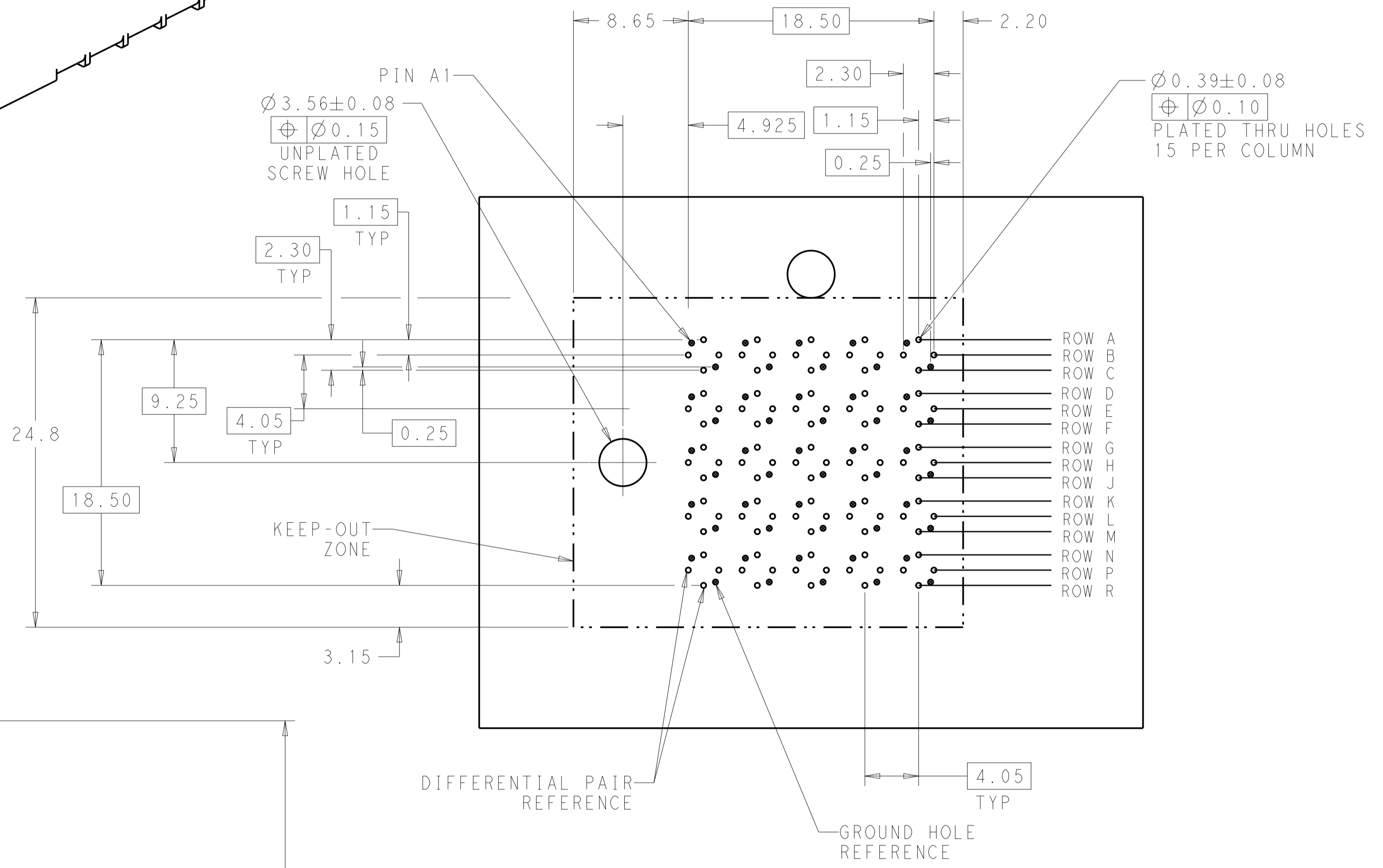


REVISIONS				
P.	LTN.	DESCRIPTION	DATE	APVD.
B		REVISED PER ECO-14-013272	08SEP2014	AP DD



**MATERIAL:**  
 HOUSING: LCP GLASS FILLED UL94V-0  
 TERMINALS: HIGH PERFORMANCE COPPER ALLOY

**FINISH:**  
 30µ" MIN GOLD IN CONTACT AREA  
 SELECTIVE TIN ON PCB TAILS.  
 NICKEL OVERALL.



SECTION Z-Z

LEFT GUIDED  
 BACKPLANE HOLE PATTERN  
 (CONNECTOR SIDE)  
 SCALE 4:1

FINISH	5.5	2143558-2
DIM M	4.9	2143558-1
PART NUMBER		

THIS DRAWING IS A CONTROLLED DOCUMENT.		DWN J. K. SHOBER 29OCT2010 CHK J. EARY 29OCT2010 APVD J. EARY 29OCT2010	NAME <b>STE</b> TE Connectivity IMPACT, 5 PAIR, 10 COLUMN, LEFT GUIDED RIGHT END WALL ASSEMBLY, ORTHOGONAL, 0.39 PTH
DIMENSIONS:	TOLERANCES UNLESS OTHERWISE SPECIFIED:	PRODUCT SPEC	RESTRICTED TO
mm	0 PLC ± 1 PLC ±0.25 2 PLC ±0.13 3 PLC ± 4 PLC ± ANGLES ±0	APPLICATION SPEC	SIZE CAGE CODE DRAWING NO
MATERIAL	FINISH SEE TABLE	WEIGHT	A100779C=2143558
		CUSTOMER DRAWING	SCALE 4:1 SHEET 1 OF 1 REV B