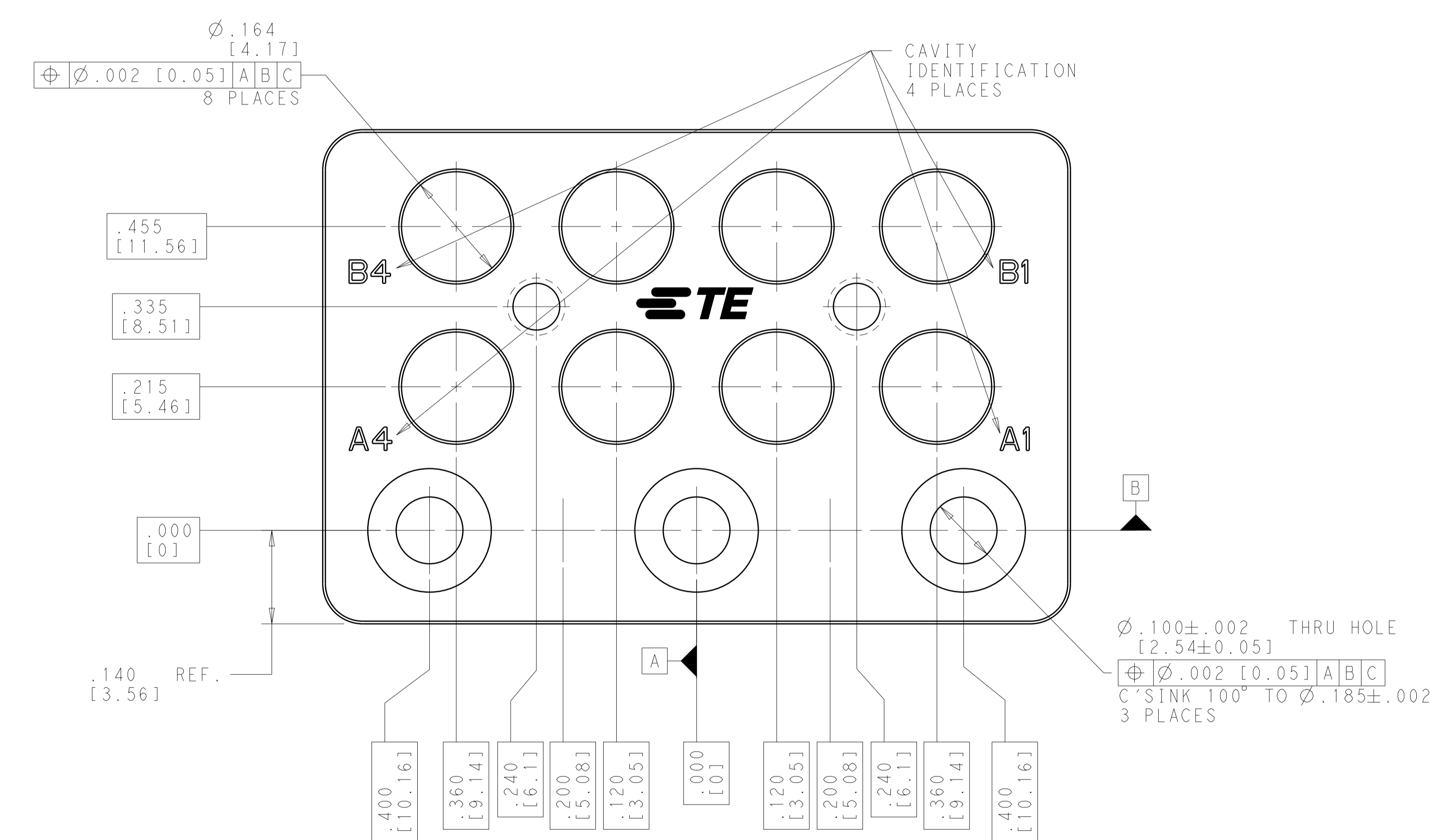
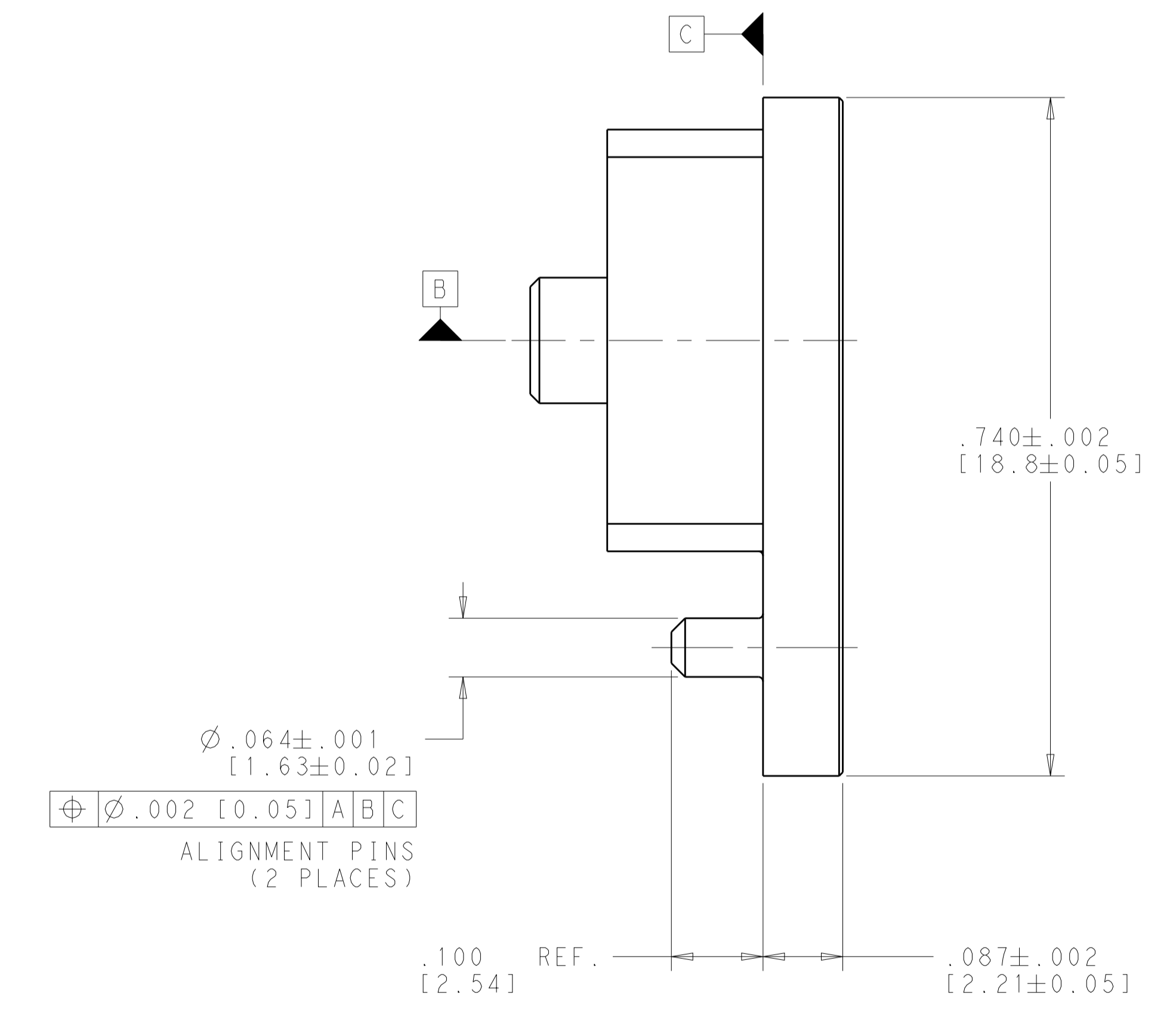
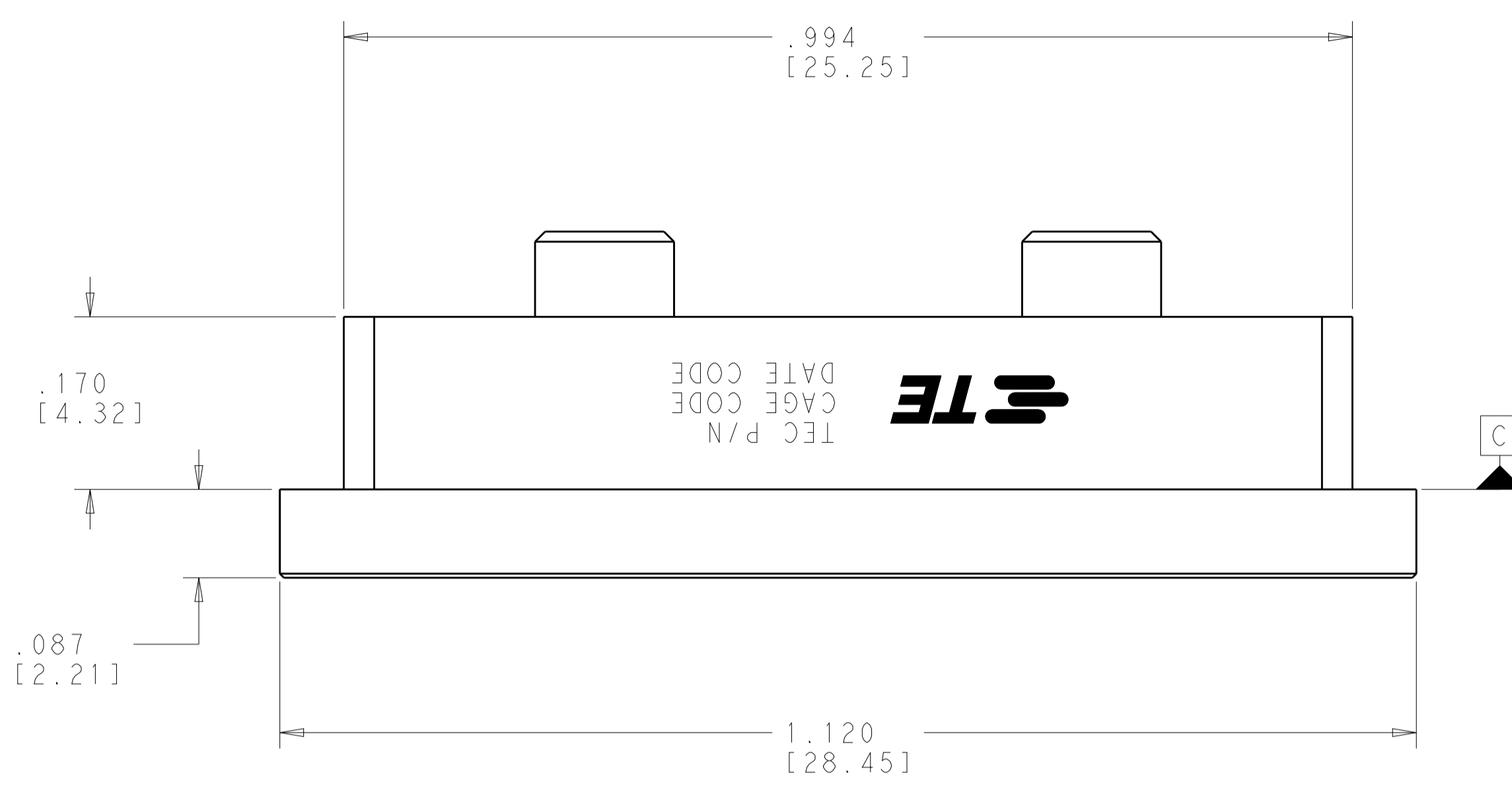
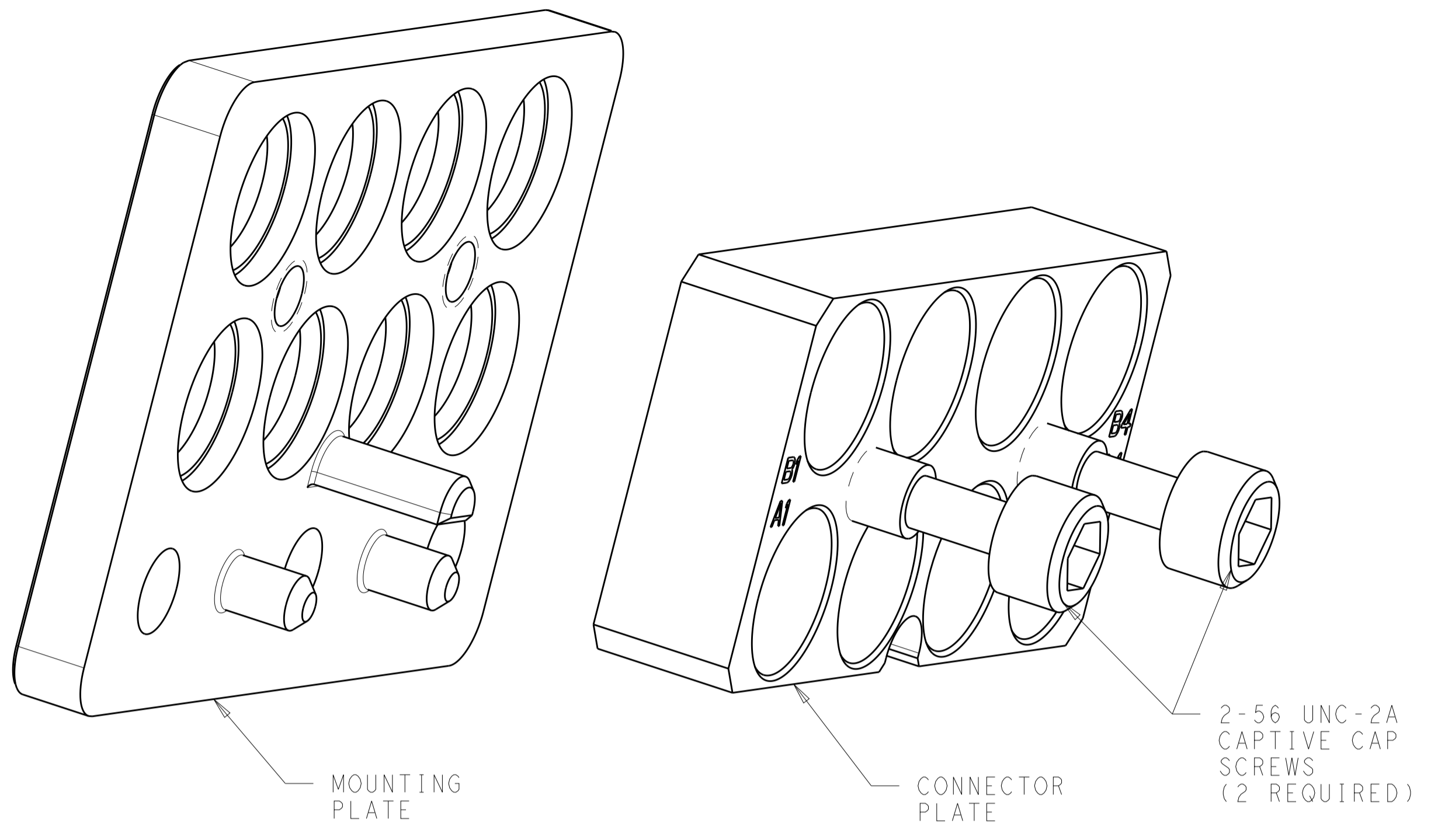


REVISIONS				
LOC	DIST	REV	DATE	APVD
-	-	A	9-16-13	CT WM
DESCRIPTION				
RELEASED PER ECO 13-014393				
				STM STM



⚠ MATERIAL:
 MOUNTING AND CONNECTOR PLATES - ALUMINUM ALLOY 6061-T6, PER ASTM B 221
 CAPTIVE CAP SCREWS - STAINLESS STEEL TYPE 18.8

⚠ FINISH:
 MOUNTING AND CONNECTOR PLATES - CLEAR TRIVALENT CHROMATE
 CONVERSION COATING PER MIL-DTL-5541F, CLASS 1A, TYPE II
 CAPTIVE CAP SCREWS - PASSIVATED

2157553-1
 PART NUMBER

THIS DRAWING IS A CONTROLLED DOCUMENT. DIMENSIONING AND TOLERANCING PER ASME Y14.5M-2009.		DWN: RJM3 25APR2011	STE Connectivity
DIMENSIONS: [INCHES(mm)]		CHK: S.T. Morley 25APR2011	
TOLERANCES UNLESS OTHERWISE SPECIFIED:		APVD: S.T. Morley 25APR2011	NAME: 8 POSITION RF BACKPLANE MODULE FOR REMOVABLE CONTACTS
0 PLC ±.1		PRODUCT SPEC	
1 PLC ±.01		APPLICATION SPEC	SIZE: CAGE CODE DRAWING NO
2 PLC ±.002		RESTRICTED TO	A100779C=2157553
3 PLC ±.0005		Customer Drawing	SCALE: 8:1 SHEET 1 OF 1 REV A
ANGLES ±.0005			
FINISH			