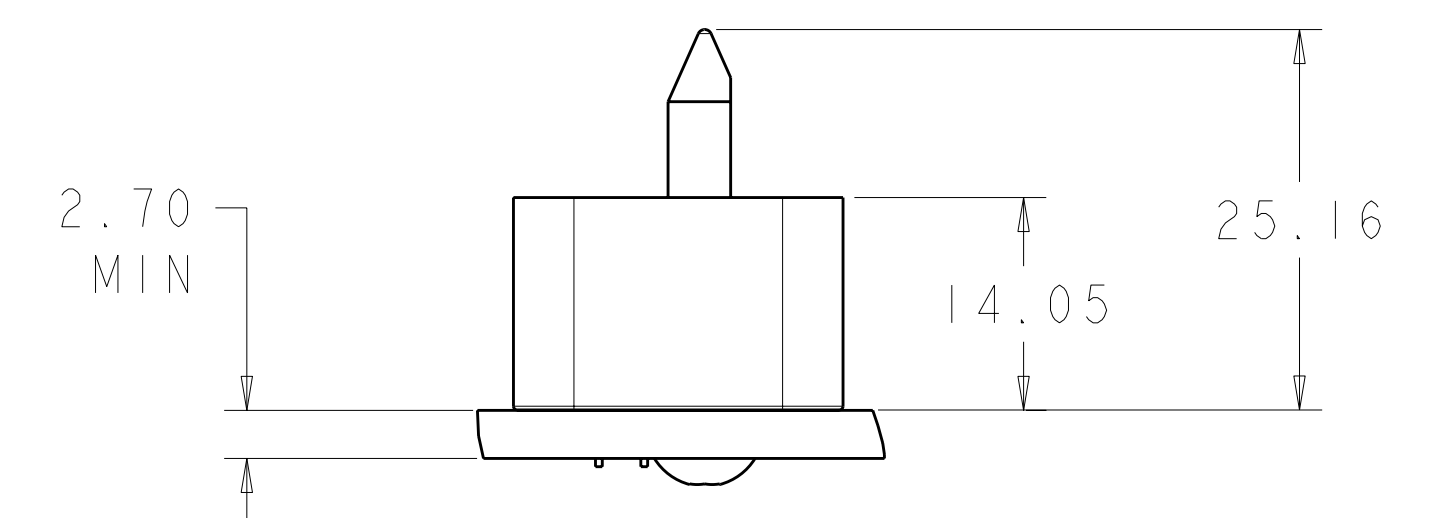
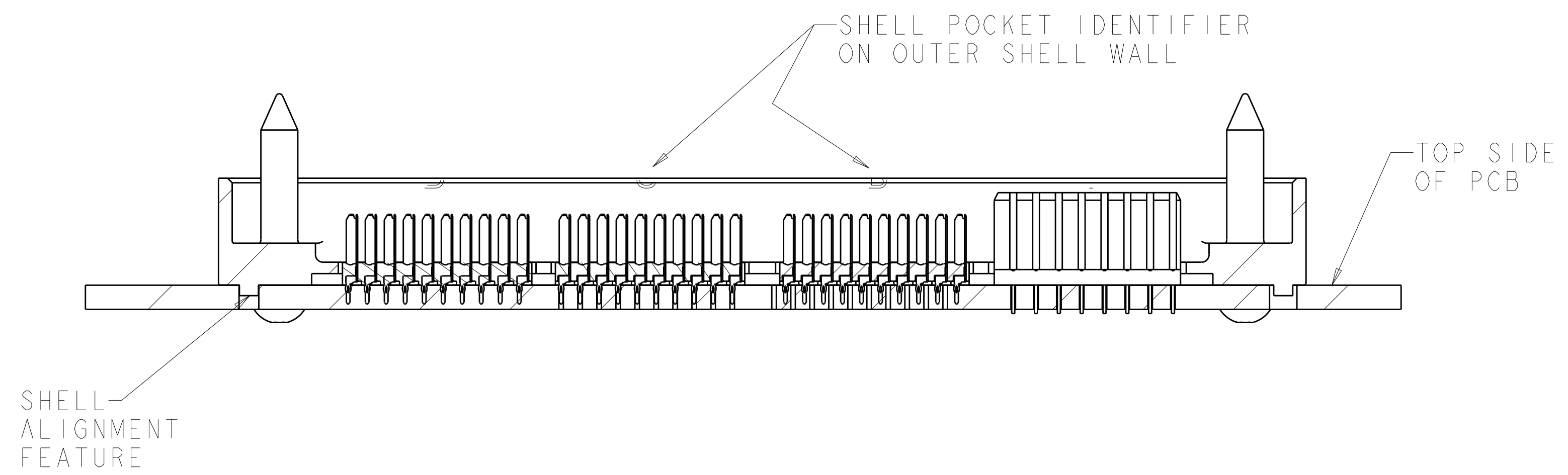
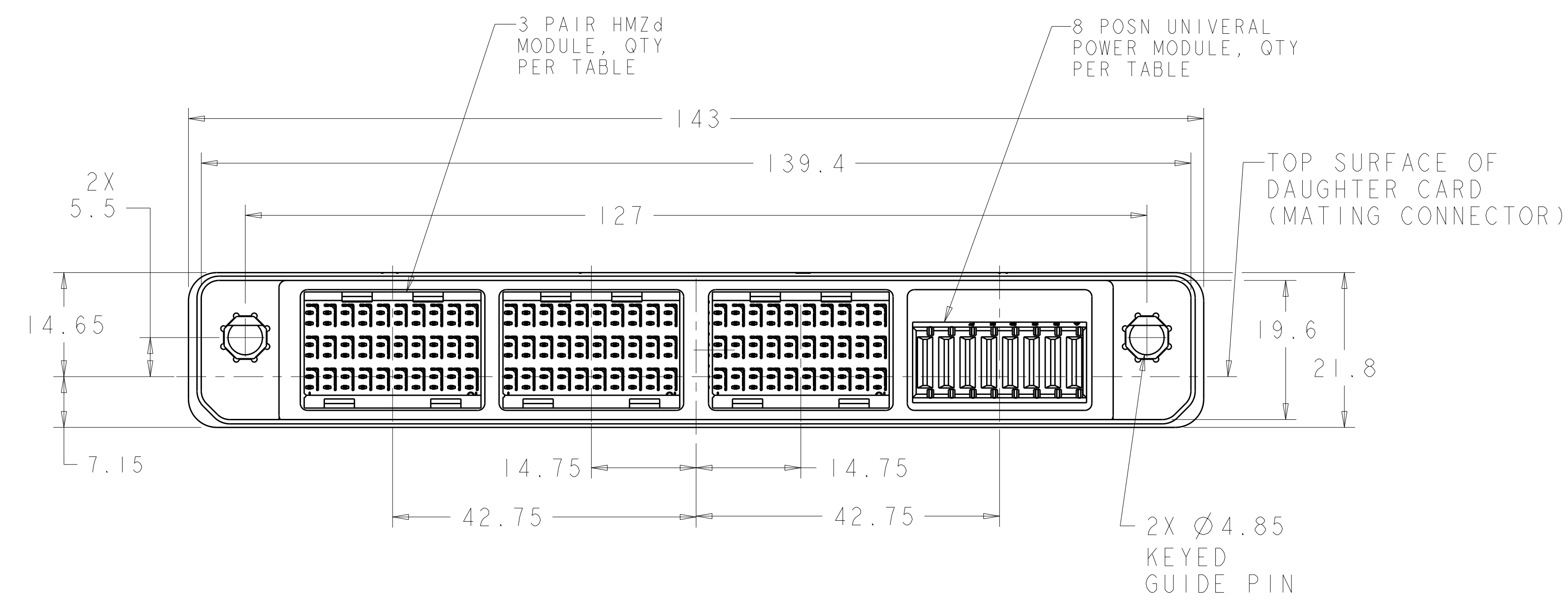


LOC		DIST		REVISIONS			
P	LTB	DESCRIPTION	DATE	DWN	APVD	CT	DH
A		RELEASED PER ECO 12-001108	1-23-12	CT	DH		

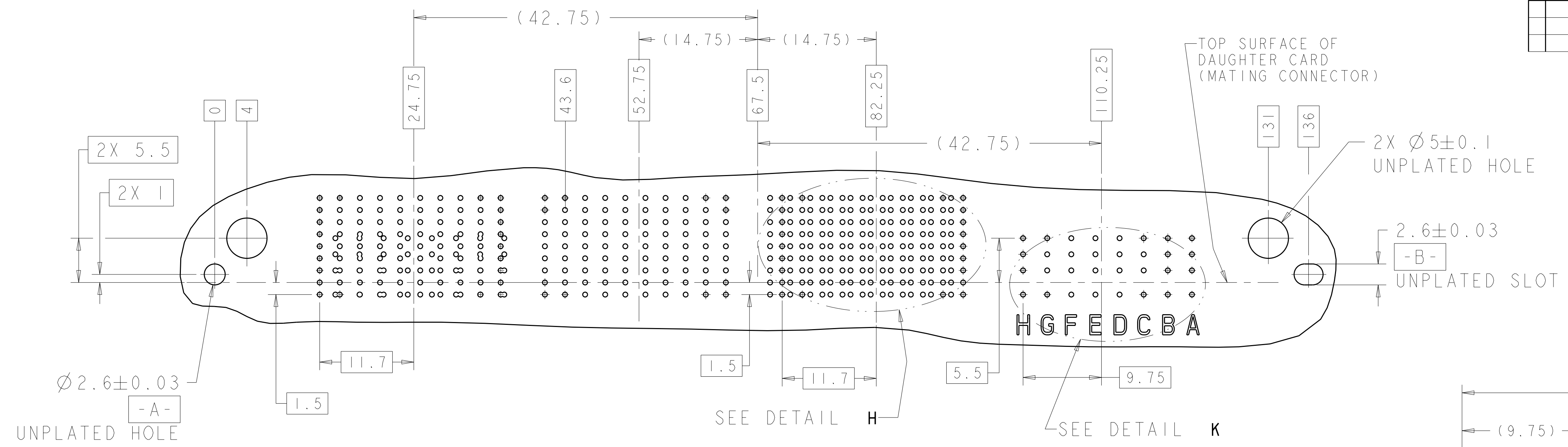


1. MATING CONNECTOR FOR THIS CONNECTOR IS 2000975.  
 ⚠ PRELIMINARY- NOT RELEASED FOR PRODUCTION.

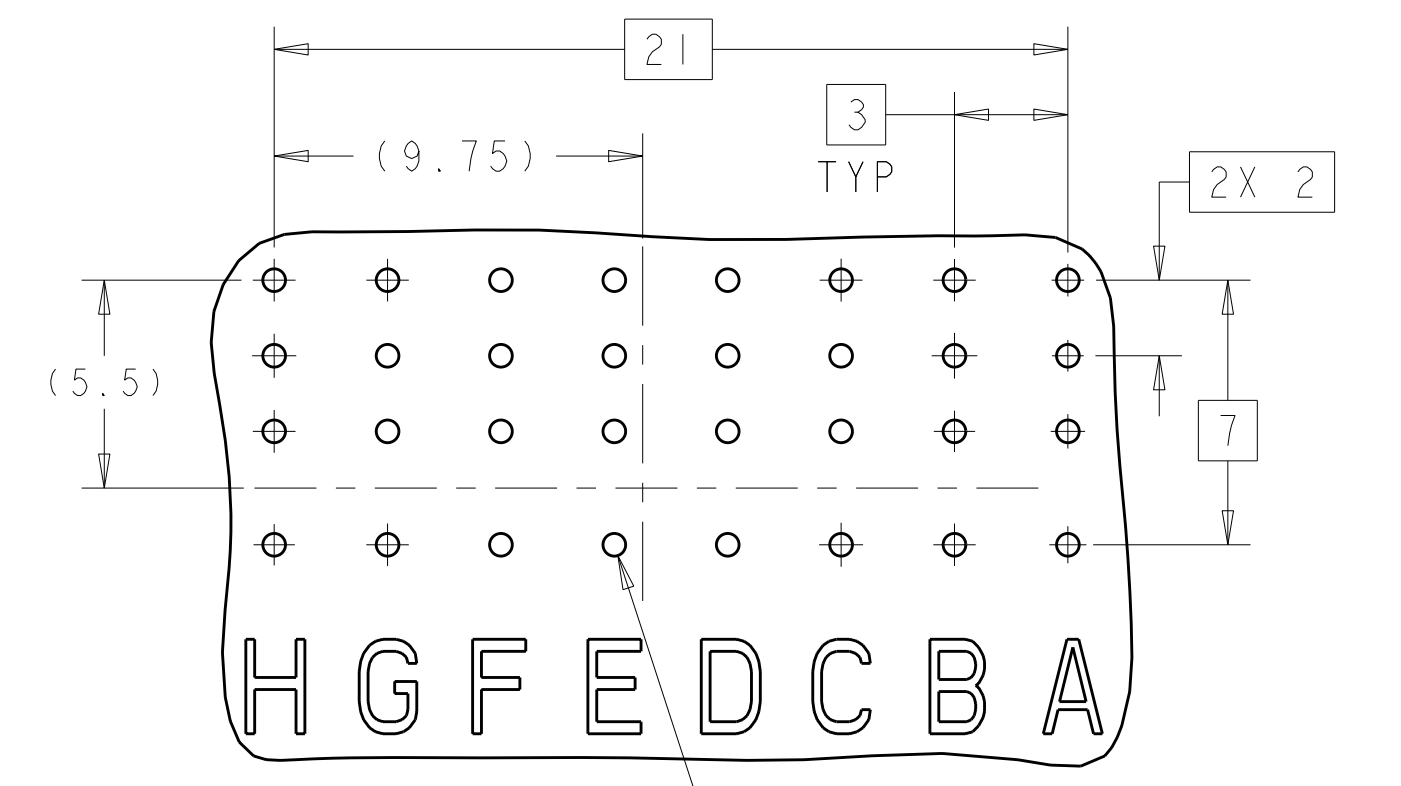
⚠	TIN	2	2	2157896-2
--	TIN-LEAD	1	3	2157896-1
REMARKS	TAIL PLATING	8 POSN UPM MODULE	3 PAIR HMZd MODULE	PART NUMBER
		MODULE QTY PER ASSY		

THIS DRAWING IS A CONTROLLED DOCUMENT.		DWN: C.C. THOMAS 1-23-12	TE Connectivity
DIMENSIONS: mm		CHK: D. HOANG 1-23-12	
TOLERANCES UNLESS OTHERWISE SPECIFIED:		APVD: D. HOANG 1-23-12	NAME: MOTHER BOARD CONNECTOR, HIGH SPEED RUGGEDIZED (HSR), 4 BAY, UNSEALED, VERTICAL
0 PLC ± 1 PLC ±0.1 2 PLC ±0.13 3 PLC ±0.013 4 PLC ± ANGLES ±	FINISH: ±	PRODUCT SPEC: -	APPLICATION SPEC: -
MATERIAL: -	FINISH: -	WEIGHT: -	SIZE: CAGE CODE: DRAWING NO: A100779C=2157896
CUSTOMER DRAWING		SCALE: 2:1	SHEET 1 OF 2 REV A

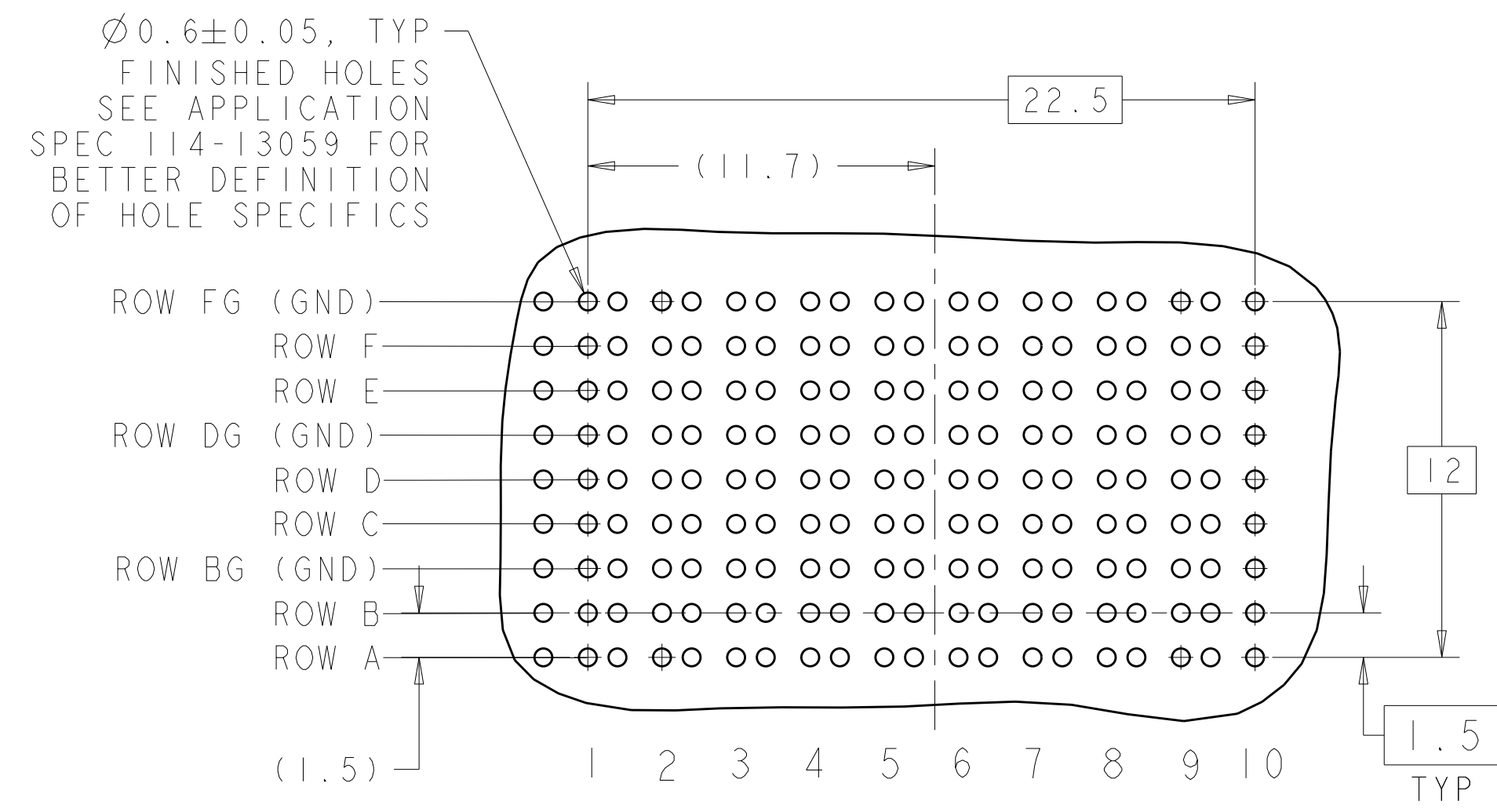
LOC	DIST	REV	DESCRIPTION	DATE	DWN	APVD
-	-	1	SEE SHEET 1	-	-	-



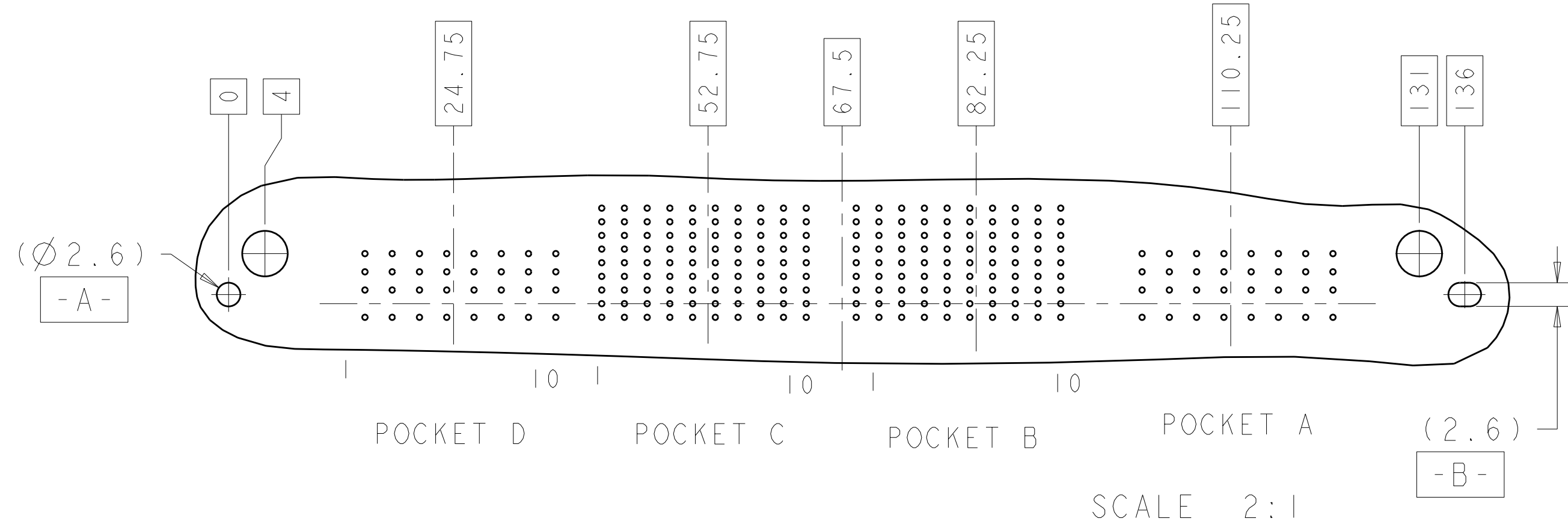
RECOMMENDED PC BOARD HOLE LAYOUT  
AS VIEWED FROM TOP OF PC BOARD  
2157896-1 SHOWN



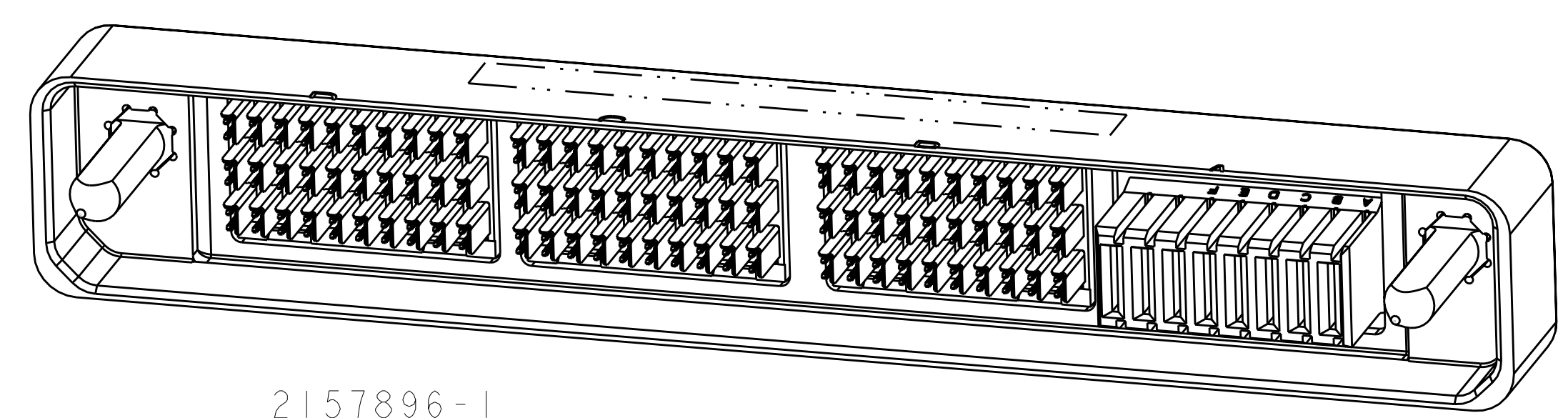
DETAIL K  
SCALE 5:1  
8 POSITION  
UNIVERSAL  
POWER MODULE  
Ø0.6±0.05, TYP  
FINISHED HOLES  
SEE APPLICATION  
SPEC 114-1103 FOR  
BETTER DEFINITION  
OF HOLE SPECIFICS



DETAIL H  
SCALE 5:1  
3 PAIR HMZd  
TYP 3X



RECOMMENDED PC BOARD HOLE LAYOUT  
AS VIEWED FROM TOP OF PCB  
2157896-2 SHOWN



2157896-1  
SCALE 2:1

THIS DRAWING IS A CONTROLLED DOCUMENT.		DWN C.C. THOMAS 1-23-12	TE Connectivity
DIMENSIONS:		CHK D. HOANG 1-23-12	
mm	TOLERANCES UNLESS OTHERWISE SPECIFIED:	APVD D. HOANG 1-23-12	NAME
	9 PLC ± 3 PLC ±0.1 5 PLC ±0.13 4 PLC ±0.013 ANGLES ± FINISH	PRODUCT SPEC	MOTHER BOARD CONNECTOR, HIGH SPEED RUGGEDIZED (HSR), 4 BAY, UNSEALED, VERTICAL
MATERIAL		APPLICATION SPEC	SIZE CAGE CODE DRAWING NO. RESTRICTED TO
		WEIGHT	A100779C=2157896
		CUSTOMER DRAWING	SCALE 3:1 SHEET 2 OF 2 REV A