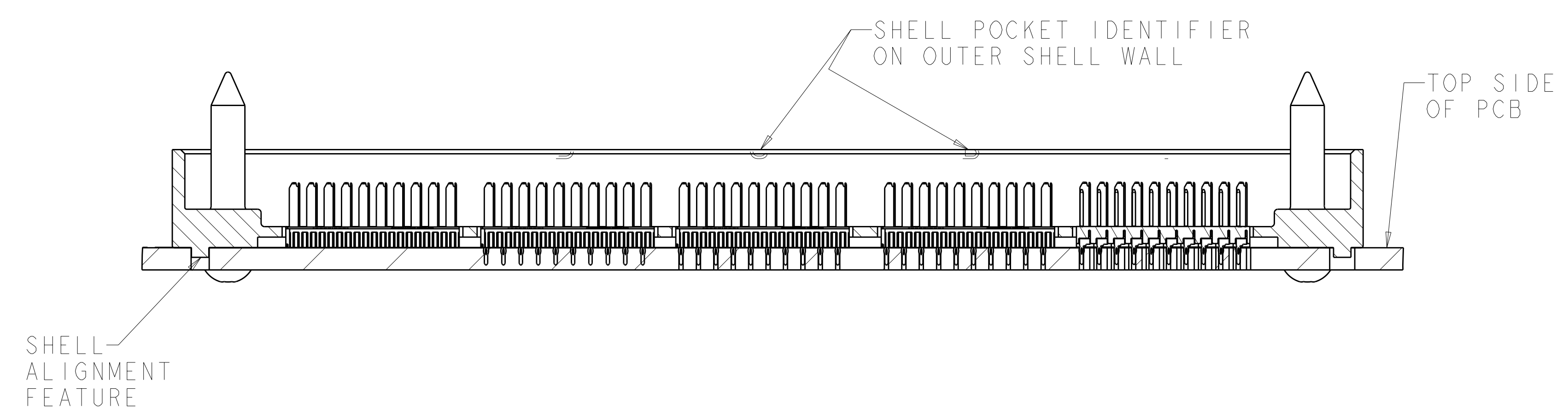
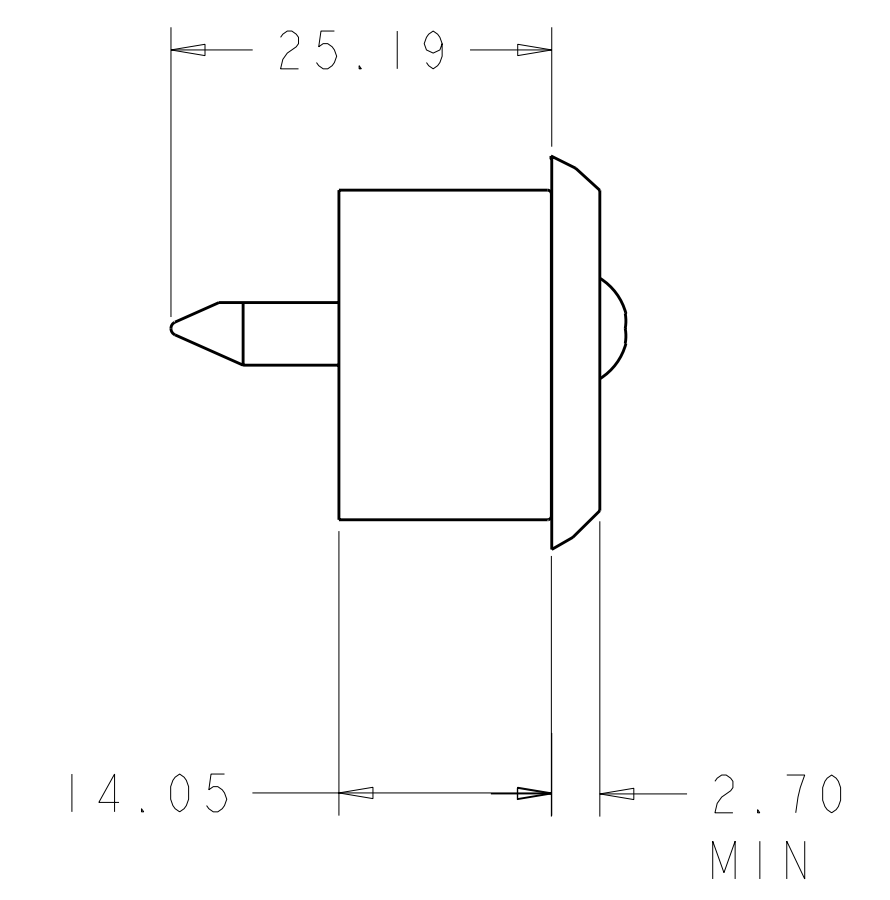
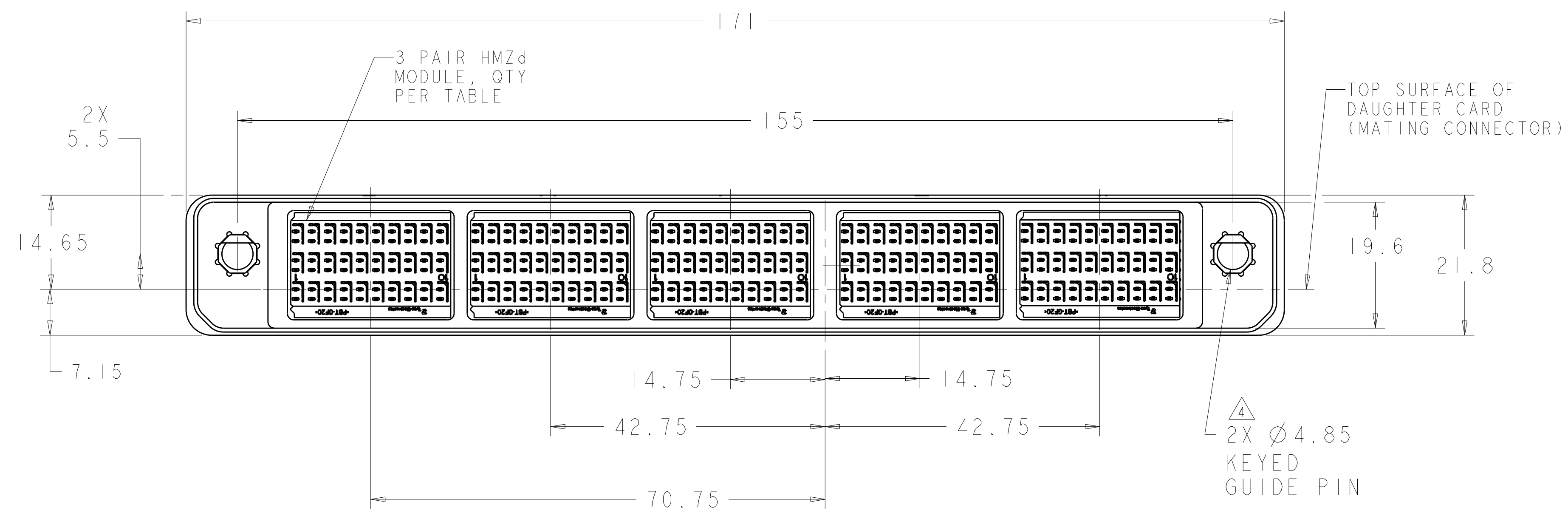


LOC	DIST	REV	DESCRIPTION	DATE	DWN	APVD
-	-	A	RELEASED PER ECO 12-001109	1-24-12	CT	DH



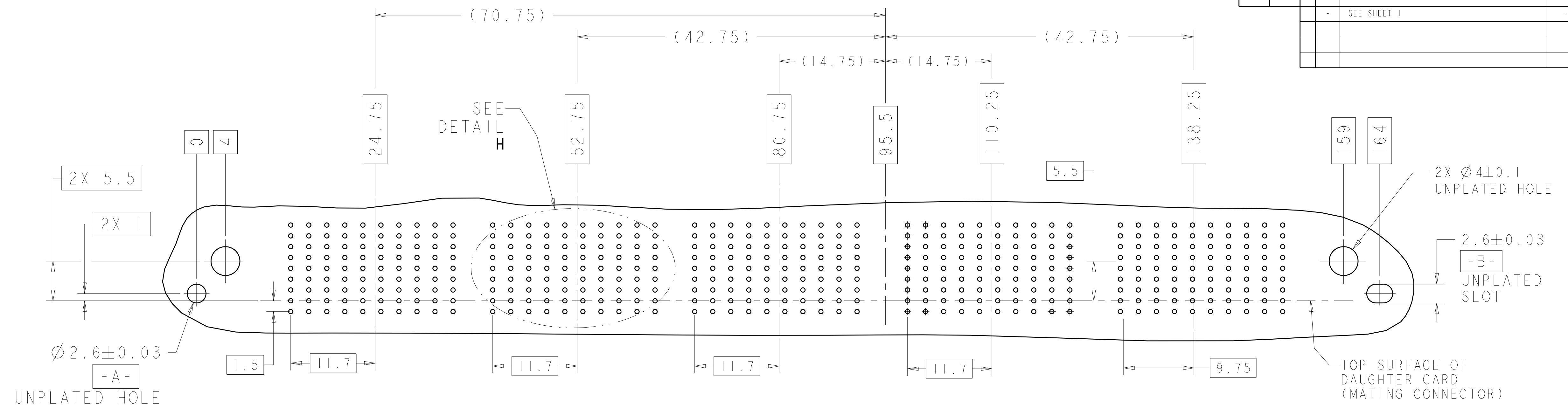
- MATING CONNECTOR FOR THIS CONNECTOR IS 2000976-1.
  - MATERIAL- SHELL: ALUMINUM  
HOUSING: GLASS FILLED POLYESTER, UL94V0  
RETAINING RING: STAINLESS STEEL  
KEYING GUIDE PIN: STAINLESS STEEL
  - PLATING- CONTACT MATING AREA:  
1.27µm MIN GOLD OVER 1.27µm MIN NICKEL  
CONTACT PCB AREA: 0.5µm MIN BRIGHT  
TIN-LEAD OVER 1.27µm MIN NICKEL
- SHELL: ELECTROLESS NICKEL

4. PARTS SHOWN ASSEMBLED BUT ARE PACKAGED SEPARATELY FOR ASSEMBLY BY CUSTOMER.

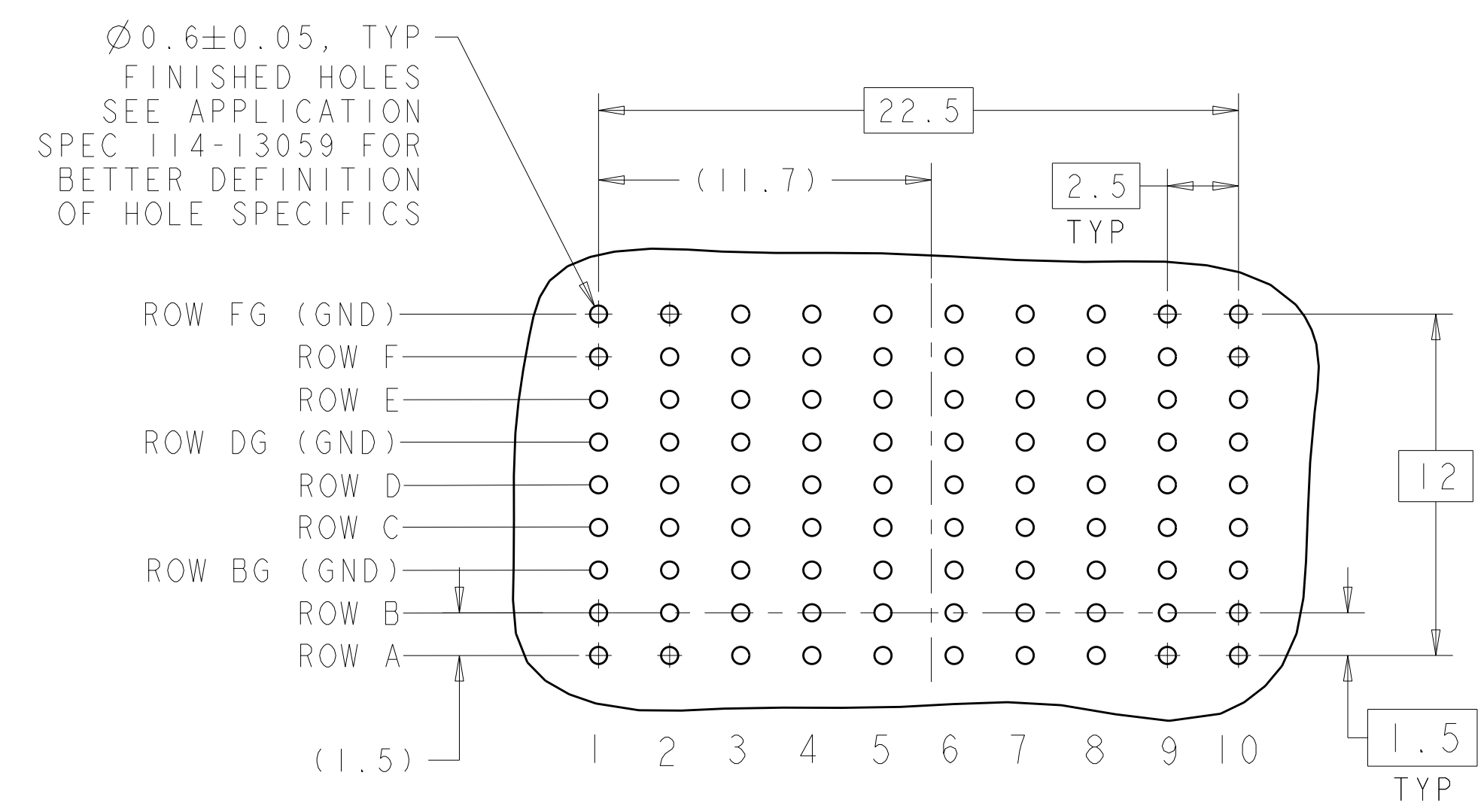
5	2157897-1
3 PAIR HMZd MODULE	PART NUMBER
MODULE QTY PER ASSY	

THIS DRAWING IS A CONTROLLED DOCUMENT.		DWN C. C. THOMAS 1-24-12	TE Connectivity	
DIMENSIONS:		CHK D. HOANG 1-24-12	NAME	
TOLERANCES UNLESS OTHERWISE SPECIFIED:		APVD D. HOANG 1-24-12	PRODUCT SPEC	
mm		108-2381	APPLICATION SPEC	
9 PLC ±0.2		SIZE CAGE CODE DRAWING NO RESTRICTED TO		
1 PLC ±0.1		A100779C=2157897		
2 PLC ±0.05		SCALE 2:1 SHEET 1 OF 2 REV A		
3 PLC ±0.025		CUSTOMER DRAWING		
4 PLC ±				
ANGLES ±				
FINISH				
MATERIAL				

LOC	DIST	REV	DATE	DWN	APVD
-	-	1	-	-	-
REVISIONS					
P. LTR		DESCRIPTION		DATE	DWN
-		SEE SHEET 1		-	-



RECOMMENDED PC BOARD HOLE LAYOUT  
 AS VIEWED FROM TOP OF PC BOARD  
 2157897-1 SHOWN



THIS DRAWING IS A CONTROLLED DOCUMENT.		DWN C. C. THOMAS 1-24-12	TE Connectivity	
DIMENSIONS:		CHK D. HOANG 1-24-12	NAME	
mm		APVD D. HOANG 1-24-12	MOTHER BOARD CONNECTOR, HIGH SPEED RUGGEDIZED (HSR), 5 BAY, UNSEALED, VERTICAL	
TOLERANCES UNLESS OTHERWISE SPECIFIED:		PRODUCT SPEC	RESTRICTED TO	
9 PLC ±0.2		108-2381	SIZE CAGE CODE DRAWING NO	
2 PLC ±0.1		APPLICATION SPEC	A100779C=2157897	
3 PLC ±0.05		WEIGHT	SCALE 3:1 SHEET 2 OF 2 REV A	
4 PLC ±0.025		CUSTOMER DRAWING		
ANGLES ±°				
FINISH				