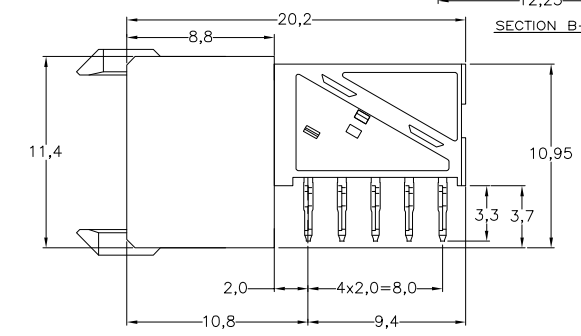
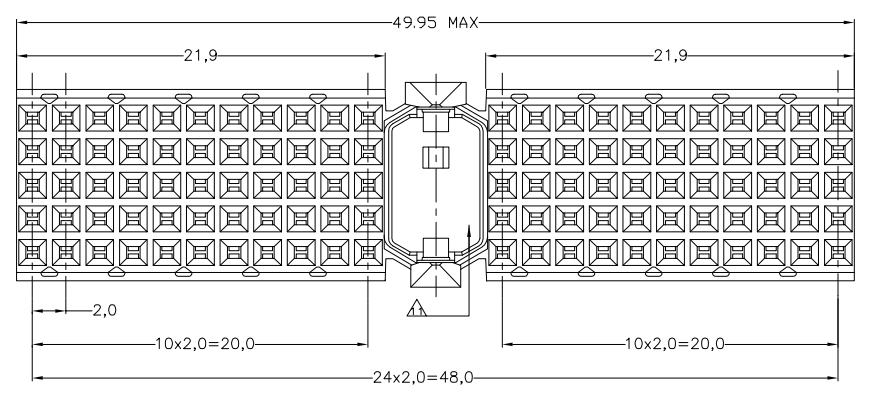
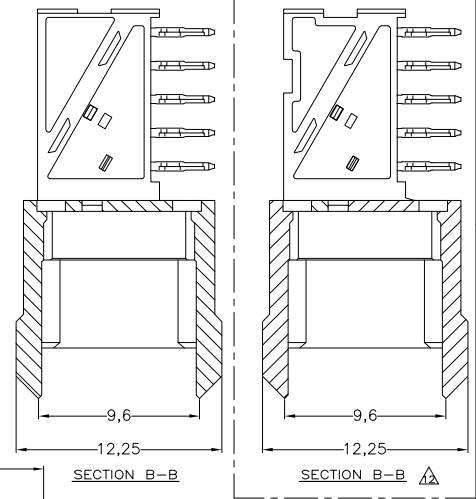
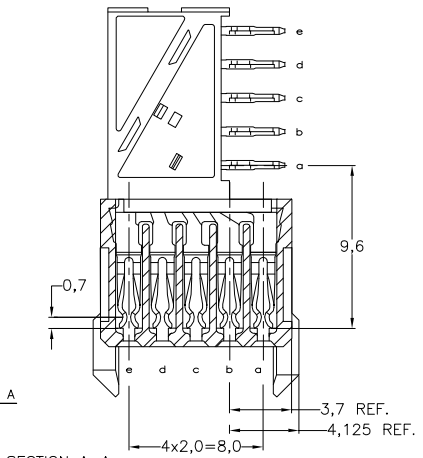
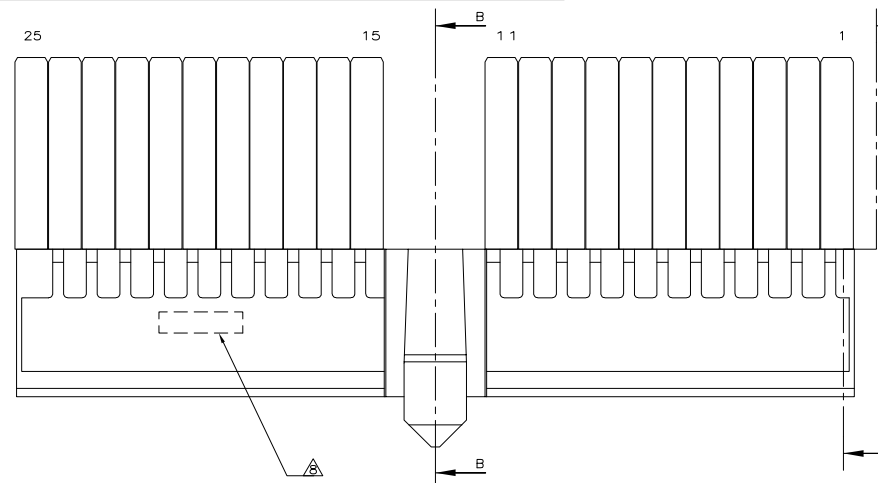
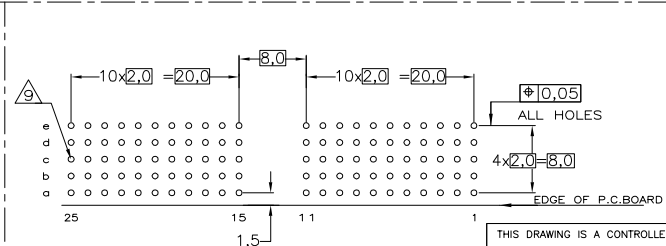


THIS DRAWING IS UNPUBLISHED.
 RELEASED FOR PUBLICATION
 © COPYRIGHT - By - ALL RIGHTS RESERVED.

LOC		DISP		REVISIONS			
P	LTR	DESCRIPTION	DATE	DN	APVD		
A		INITIAL RELEASE	14AUG2012	SY	AC		



- NOTES:**
- △ MATERIAL CONTACT; PHOSPHORBRONZE
 - △ MATERIAL HOUSING; GLASSFILLED POLYESTER (GRAY) UL-RATING 49VO
 - △ GENERAL PLATING SPECIFICATION: UNDERPLATING (ENTIRE CONTACT): 1,27μm NICKEL MIN. AND ACTION PIN: 0,5μm TIN-LEAD MIN.
 - △ FOR PLATING OF MATING SURFACES SEE APPLICABLE SPECIFICATION REFERENCE FOR EACH DASH NUMBER.
 - △ CONFORMS TO ALL TESTING ACCORDING IEC 61076-4-101 PERFORMANCE LEVEL 2.
 - △ CONFORMS TO ALL TESTING ACCORDING IEC 61076-4-101 PERFORMANCE LEVEL 1.
 - △ CONNECTOR TESTED AND QUALIFIED AGAINST TELCORDIA GR-1217-CORE QUALITY LEVEL III, CENTRAL OFFICE APPLICATIONS.
 - △ CONNECTOR TESTED AND QUALIFIED AGAINST TELCORDIA GR-1217-CORE QUALITY LEVEL III, UNCONTROLLED ENVIRONMENT APPLICATIONS.
 - △ CONNECTOR LUBRICATED WITH TELCORDIA GR-1217-CORE APPROVED LUBRICANT.
 - △ CONNECTOR MARKED WITH PARTNUMBER AND DATECODE.
 - △ THE MARKING CAN APPEAR ON THE FRONT SIDE OR ON THE BACK SIDE.
 - △ PLATED-THROUGH HOLES AT 2x2mm SQUARE GRID, 110 HOLES.
 - △ FITS WITH INTEGRATED GROUND RETURN UPERSHIELD, BASIC P.N. 338107 AND INTEGRATED GROUND RETURN LOWERSHIELD, BASIC P.N. 338108
 - △ AREA RESERVED FOR CODING KEY, BASIC P.N. 100526
 - △ CONNECTOR ASSEMBLED WITH ALTERNATE FEMALE CONTACTS.
 - △ 1,27μm MIN GOLD PLATING AT MATING SURFACES, NO LUBRICANT.



SCALE 2,5:1
 COMPONENT SIDE AS SHOWN
 RECOMMENDED PCB-HOLE LAY-OUT

P.C.B. HOLE DIM. ACTION PIN
 FOR DETAILS SEE
 APPLICATION SPECIFICATION

THIS DRAWING IS A CONTROLLED DOCUMENT.

DIMENSIONS:	TOLERANCES UNLESS OTHERWISE SPECIFIED:
mm	
Ø-PLG	±
1-PLG	± ±0,2
2-PLG	±
3-PLG	±
4-PLG	±
ANGLES	±
MATERIAL:	FINISH:
-	-

FINISH	MATERIAL	PARTNUMBER	2170348-5
		TE Connectivity	
Z-PACK 2mm HM TYPE A 110 POS. FEMALE CONNECTOR			
PRODUCT SPEC	108-19082	SIZE	A2
APPLICATION SPEC	114-19029	CAGE CODE	00779
WEIGHT	-	DRAWING NO	2170348
CUSTOMER DRAWING		SCALE	NTS
		SHEET	1 of 1
		REV	A