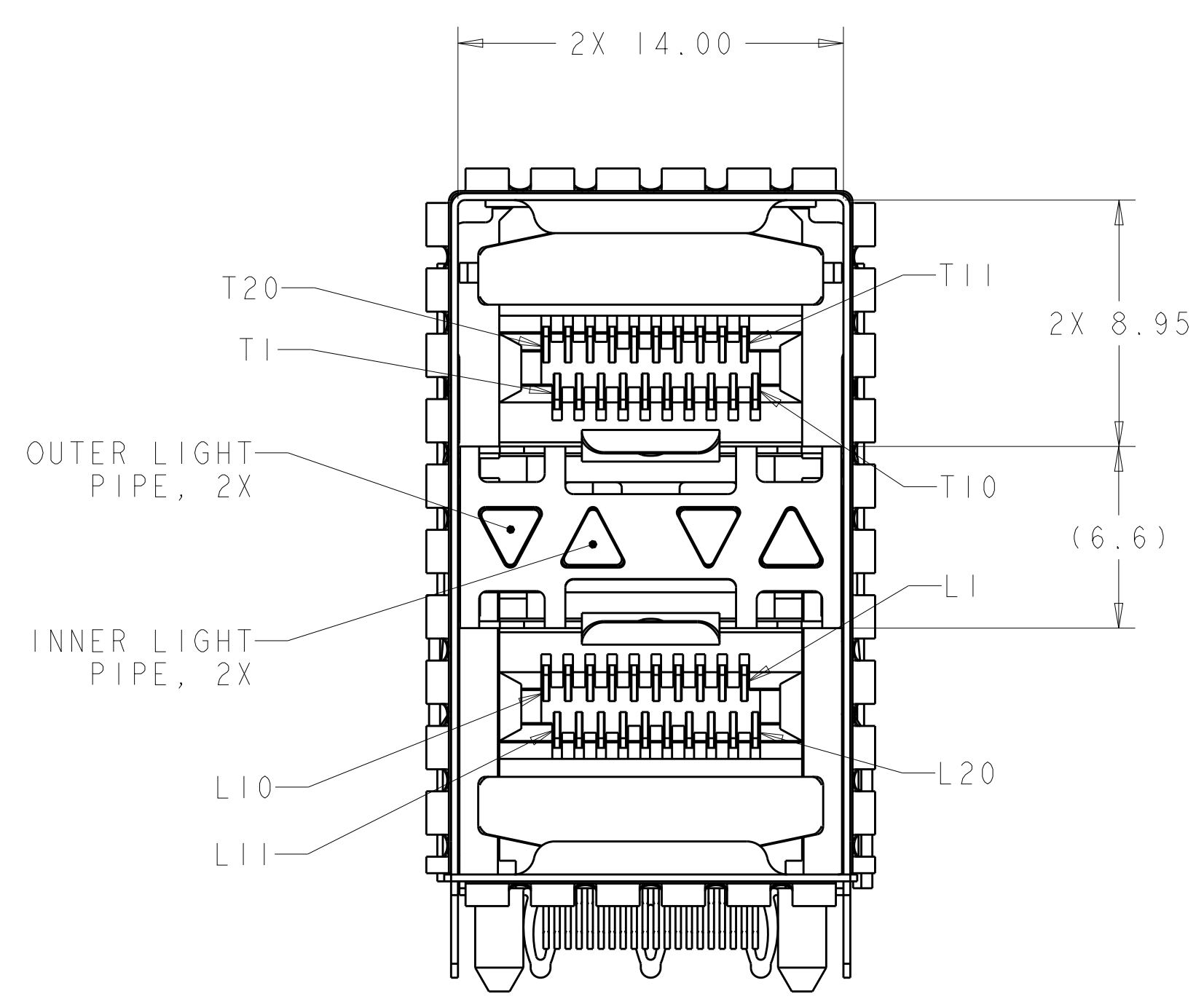
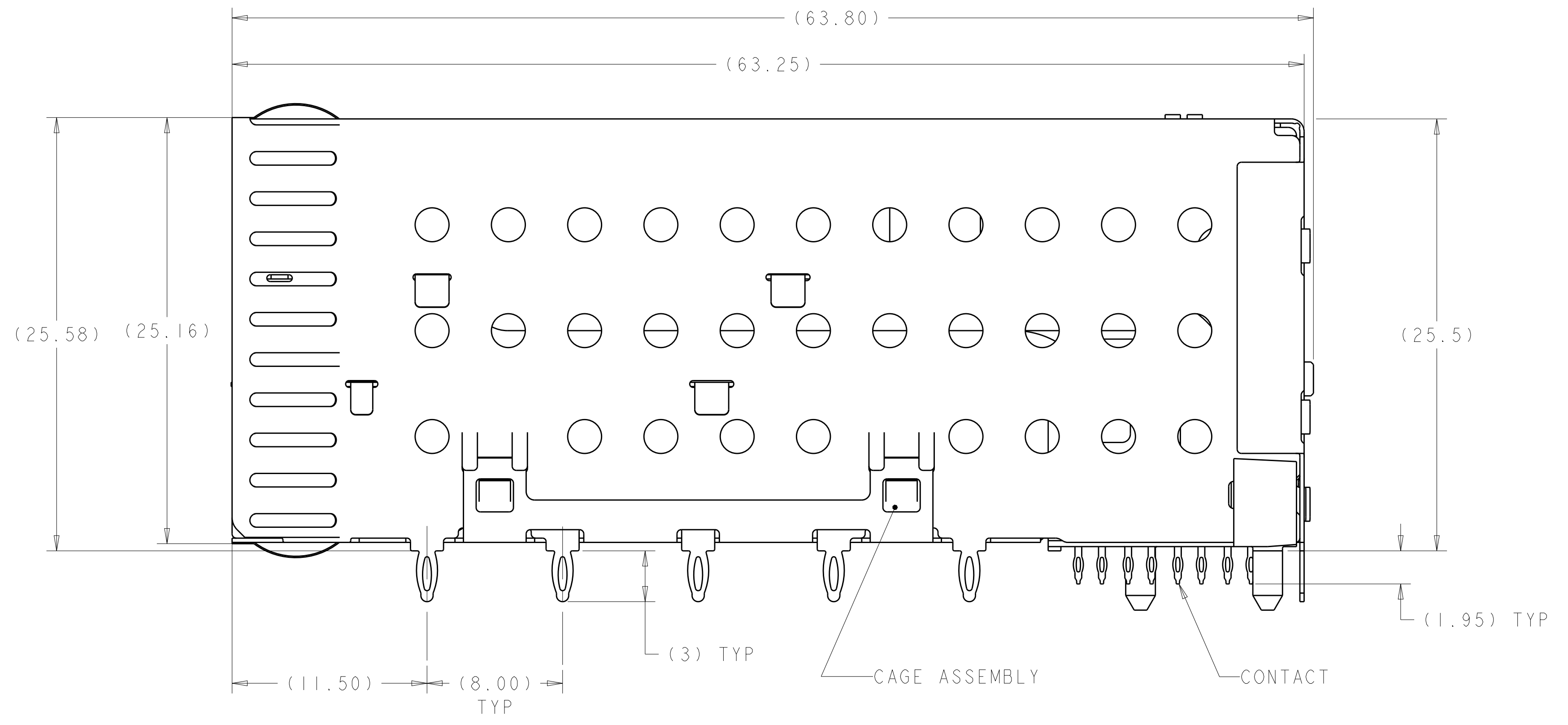


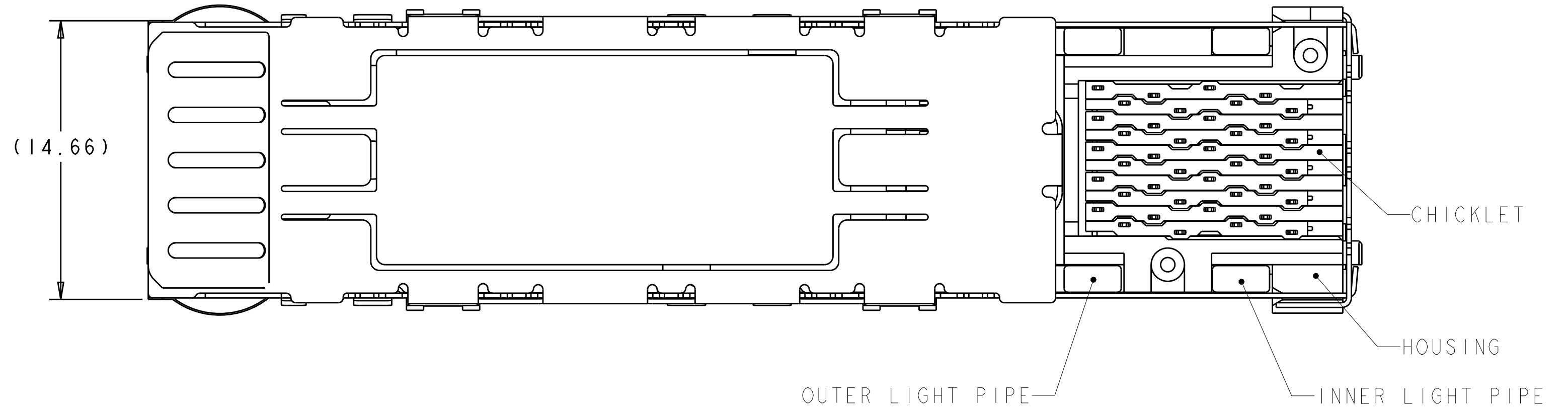
LOC	DIST	REVISIONS					
		P	LTN	DESCRIPTION	DATE	DWN	APVD
GP	00	A		PRODUCTION RELEASE	09OCT2016	JW	SH
		B		EMI SPRING TO 'U' TYPE	14JAN2020	IT	SH



2170409-5 AS SHOWN



EMI SPRING



- 1 MATERIALS:  
 CAGE ASSEMBLY- NICKEL SILVER ALLOY PER ASTM B 122.  
 EMI SPRING- COPPER ALLOY.  
 HOUSING- BLACK LCP, UL 94V-0 RATED.  
 CHICKLET- BLACK LCP, UL 94V-0 RATED.  
 LIGHT PIPE- POLYCARBONATE, CLEAR, UL 94V-2 RATED.  
 INSERT - (FOR LIGHT PIPE PART NUMBERS ONLY) - PBT, BLACK, UL 94V-0.  
 CONTACT- COPPER ALLOY.
- 2 DATUM AND BASIC DIMENSIONS ESTABLISHED BY CUSTOMER.
- 3. MINIMUM PCB THICKNESS OF 1.5.
- 4 CONTACT FINISH- CONFORMS TO THE REQUIREMENTS OF TE CONNECTIVITY PRODUCT SPECIFICATION 108-2331, BASED ON EIA/ECA-364-1000.01A, (CONTROLLED ENVIRONMENT APPLICATIONS) ON MATING INTERFACE, TIN-LEAD ON NEEDLE EYE.
- 5 CONTACT FINISH- CONFORMS TO THE REQUIREMENTS OF TE CONNECTIVITY PRODUCT SPECIFICATION 108-2331, BASED ON EIA/ECA-364-1000.01A, (CONTROLLED ENVIRONMENT APPLICATIONS) ON MATING INTERFACE, TIN ON NEEDLE EYE.
- 6 FOR HOLE SIZE AND PLATINGS, SEE APPLICATION SPEC 114-13219.
- 7 THE ENTIRE AREA OF THE CONNECTOR FOOTPRINT, INDICATED BY THE DASHED LINE, TO BE CONSIDERED THE KEEPOUT AREA FOR COMPONENTS AND SIGNAL TRACES, TOP SIDE ONLY. TOP SIDE TRACES ALLOWED WITHIN CONNECTOR HOLE PATTERN.
- 8 LIGHT PIPE PAD LAYOUT IS FOR 0805 LOW PROFILE LED PACKAGE WITH A HEIGHT OF 0.8mm.
- 9 EMI SPRING FINISH: 1.27µm MINIMUM NICKEL PLATING, NONPLATED EDGES PERMISSIBLE.

FINISH	DESCRIPTION	PART NUMBER
5	NO LIGHT PIPES	2170409-8
	OUTER 2 LIGHT PIPES	2170409-7
	INNER 2 LIGHT PIPES	2170409-6
	4 LIGHT PIPES	2170409-5

THIS DRAWING IS A CONTROLLED DOCUMENT.

DIMENSIONS: mm  
 TOLERANCES UNLESS OTHERWISE SPECIFIED:  
 0 PLC ±0.25  
 1 PLC ±0.25  
 2 PLC ±0.25  
 3 PLC ±0.25  
 4 PLC ±0.25  
 ANGLES ±°  
 FINISH

MATERIAL

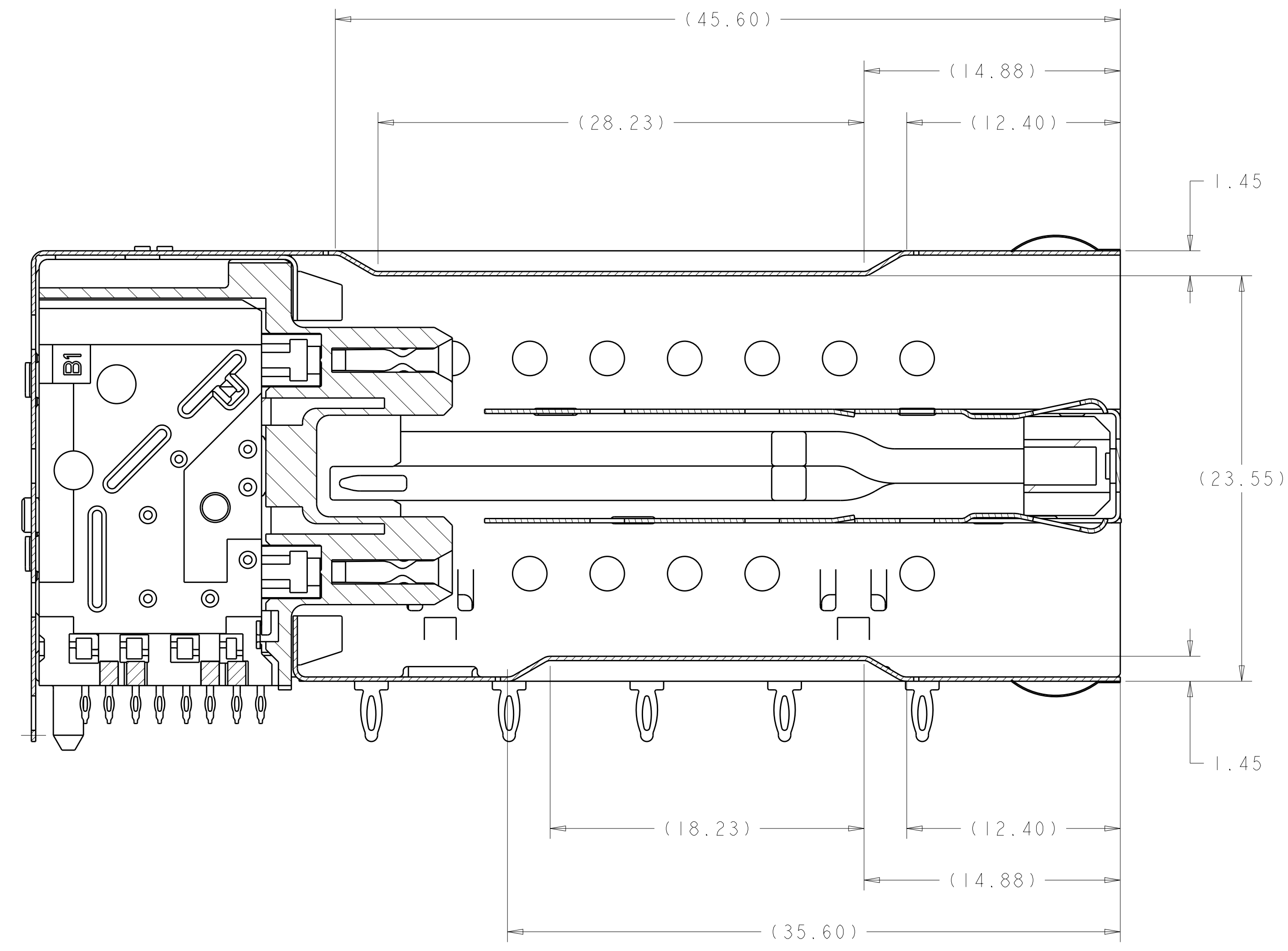
APPROVED: TIM XUE 02NOV2012  
 CHK: ALEX CAI 02NOV2012  
 APVD: ALEX CAI 02NOV2012  
 PRODUCT SPEC: 108-2331  
 APPLICATION SPEC: 114-13219  
 WEIGHT: -  
 CUSTOMER DRAWING

NAME: CAGE AND PT CONNECTOR ASSEMBLY, WITH EMI SPRINGS, PRESS FIT, 2X1, STACKED SFP+  
 SIZE: 114-13219  
 CAGE CODE: -  
 DRAWING NO: A100779  
 C=2170409

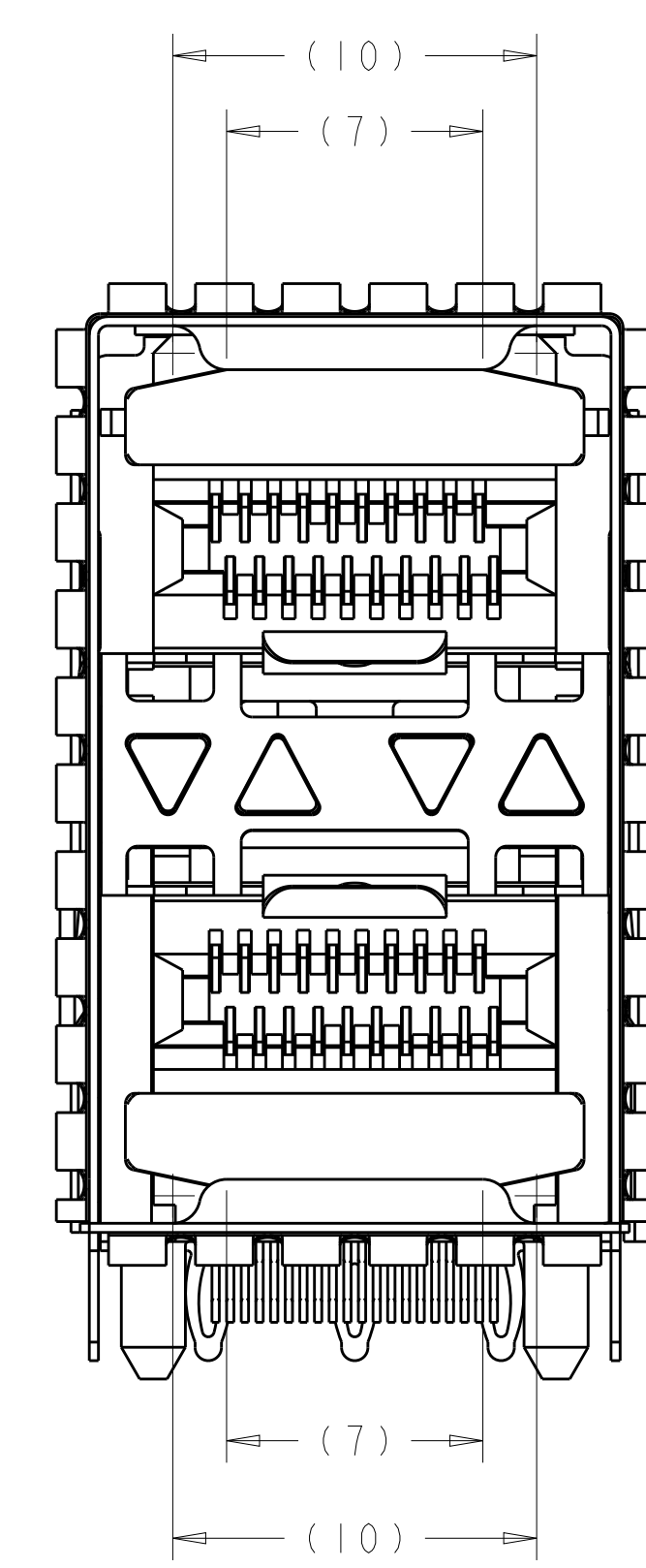
TE Connectivity

SCALE: 5:1 SHEET 1 OF 5 REV B

LOC		DIST		REVISIONS			
P	LTN	DESCRIPTION	DATE	DWN	APVD		
-	-	SEE SHEET 1	-	-	-		

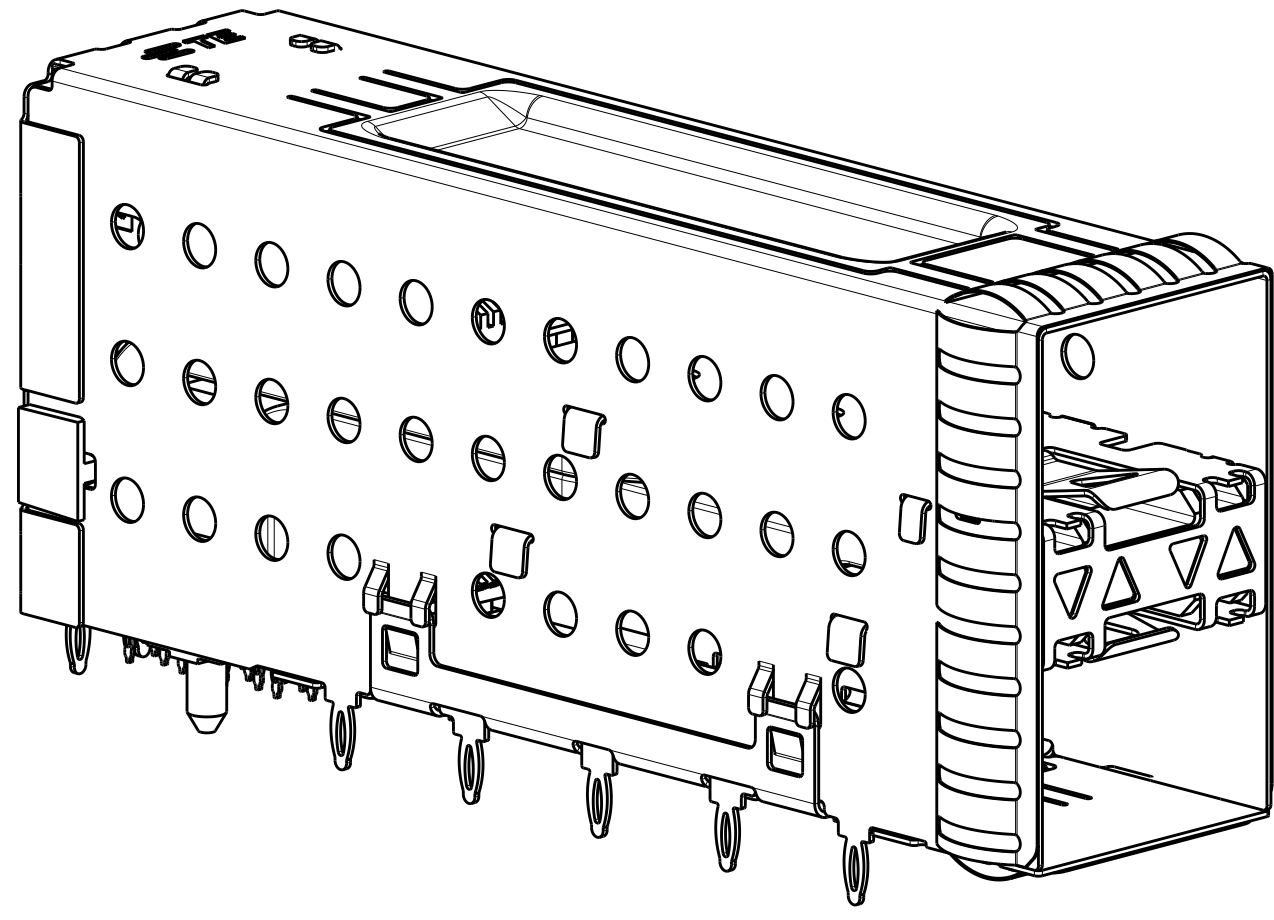


SECTION X-X

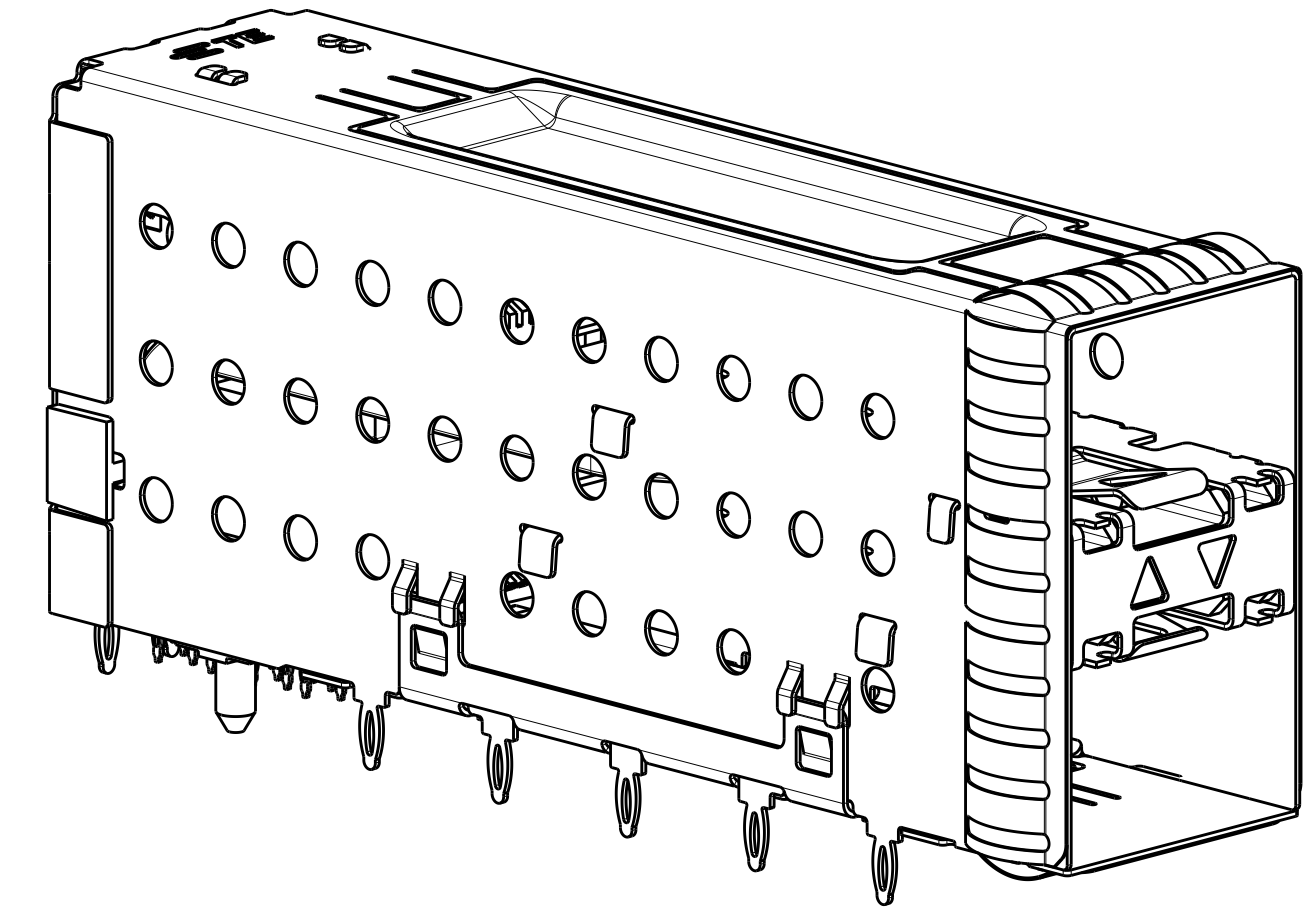


THIS DRAWING IS A CONTROLLED DOCUMENT.		DWN	TIM XUE	02NOV2012	TE Connectivity
DIMENSIONS:		CHK	ALEX CAI	02NOV2012	
mm	TOLERANCES UNLESS OTHERWISE SPECIFIED:	APVD	ALEX CAI	02NOV2012	
	0 PLC ±0.25	PRODUCT SPEC			
	1 PLC ±0.25	108-2331			
	2 PLC ±0.25	APPLICATION SPEC			
	3 PLC ±0.25	114-13219			
	4 PLC ±	WEIGHT			
	ANGLES ±	CUSTOMER DRAWING			
	FINISH	SCALE	5:1	SHEET 2 OF 5	
MATERIAL		SIZE	A100779	DRAWING NO	REV B
		RESTRICTED TO			
		SCALE	5:1	SHEET	2 OF 5
		DRAWING NO	C=2170409	REV	B

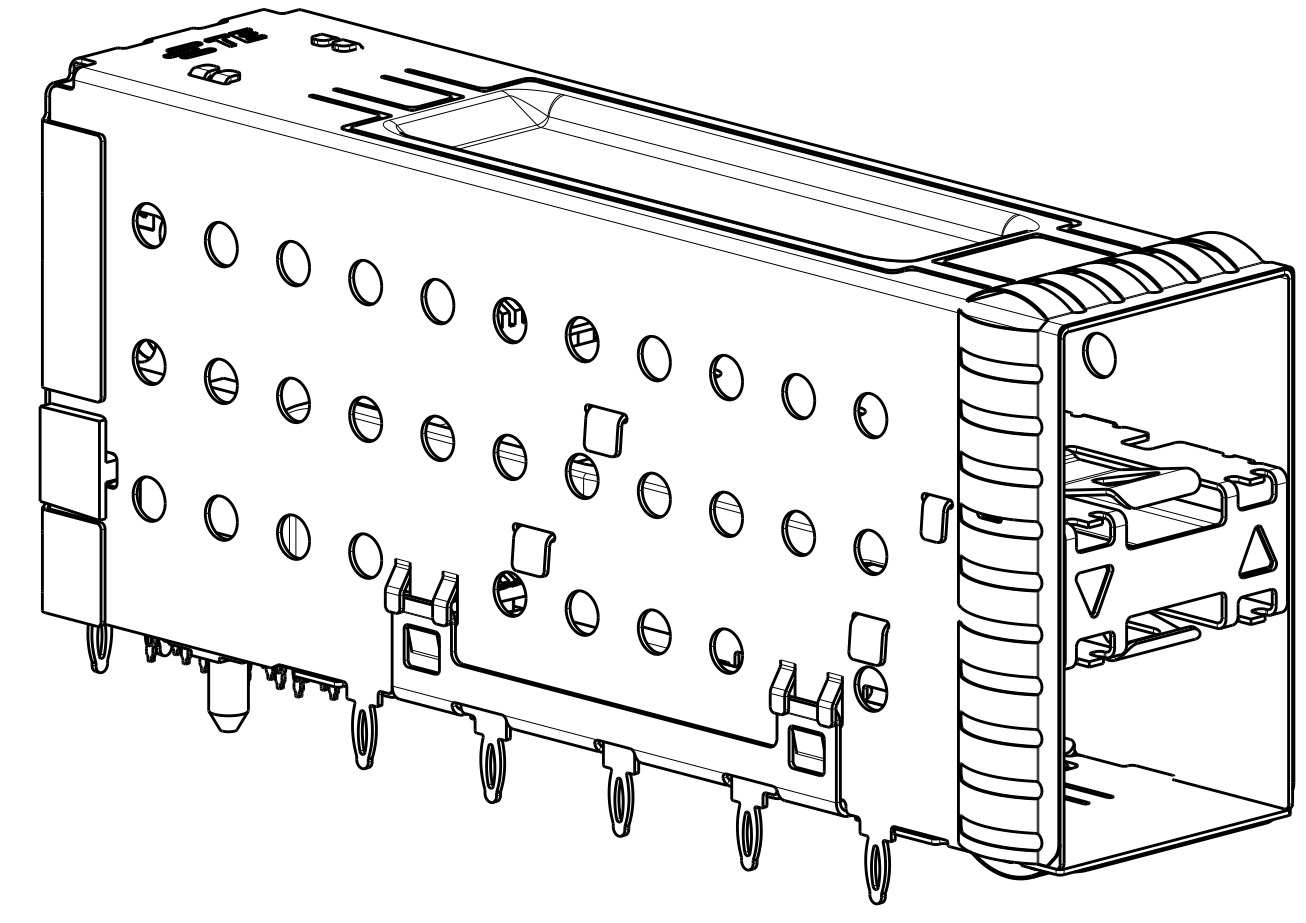
LOC	DIST	REVISIONS			
P	LYR	DESCRIPTION	DATE	DWN	APVD
-	-	SEE SHEET 1	-	-	-



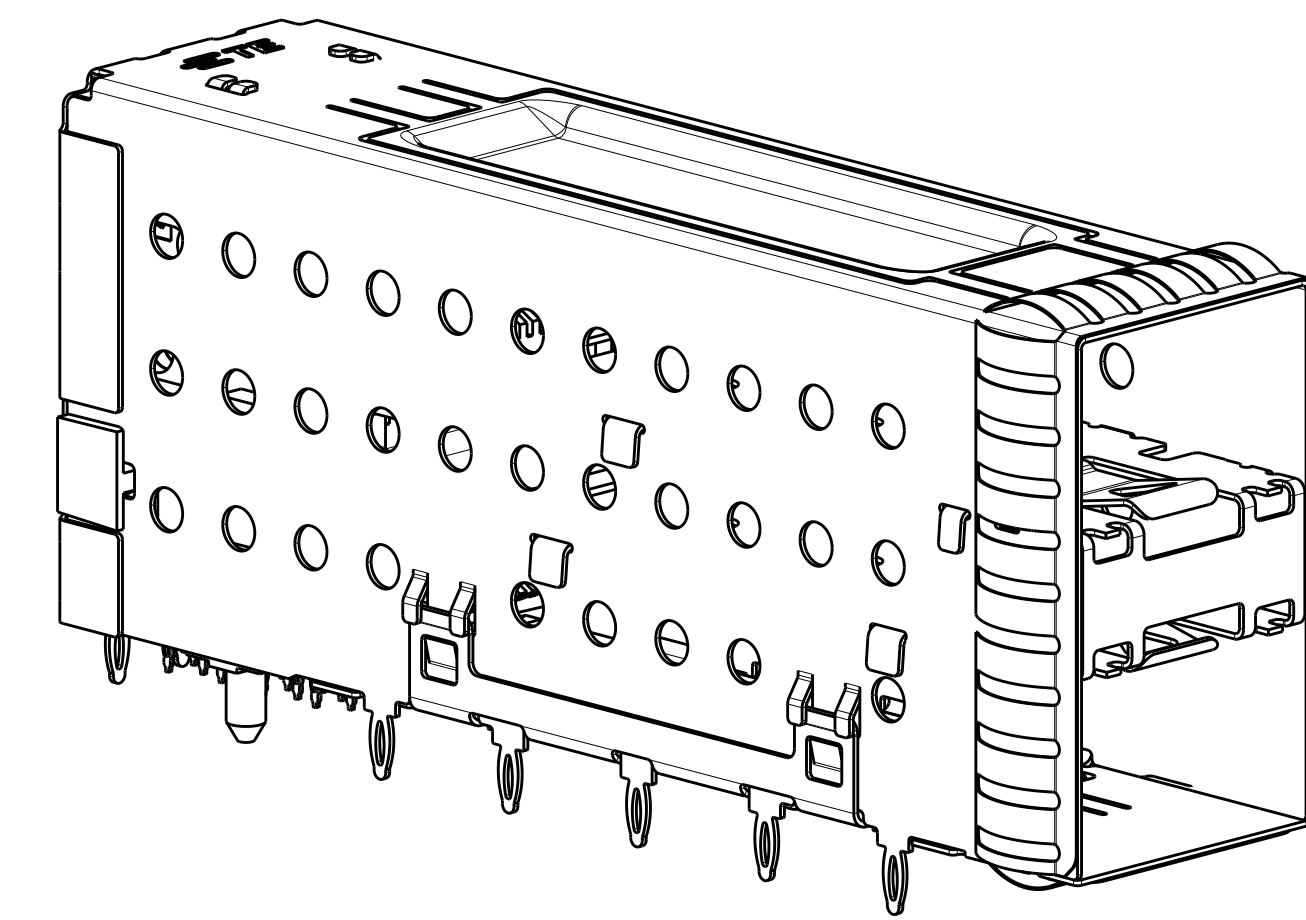
2170409-5  
SCALE 3:1



2170409-6  
SCALE 3:1



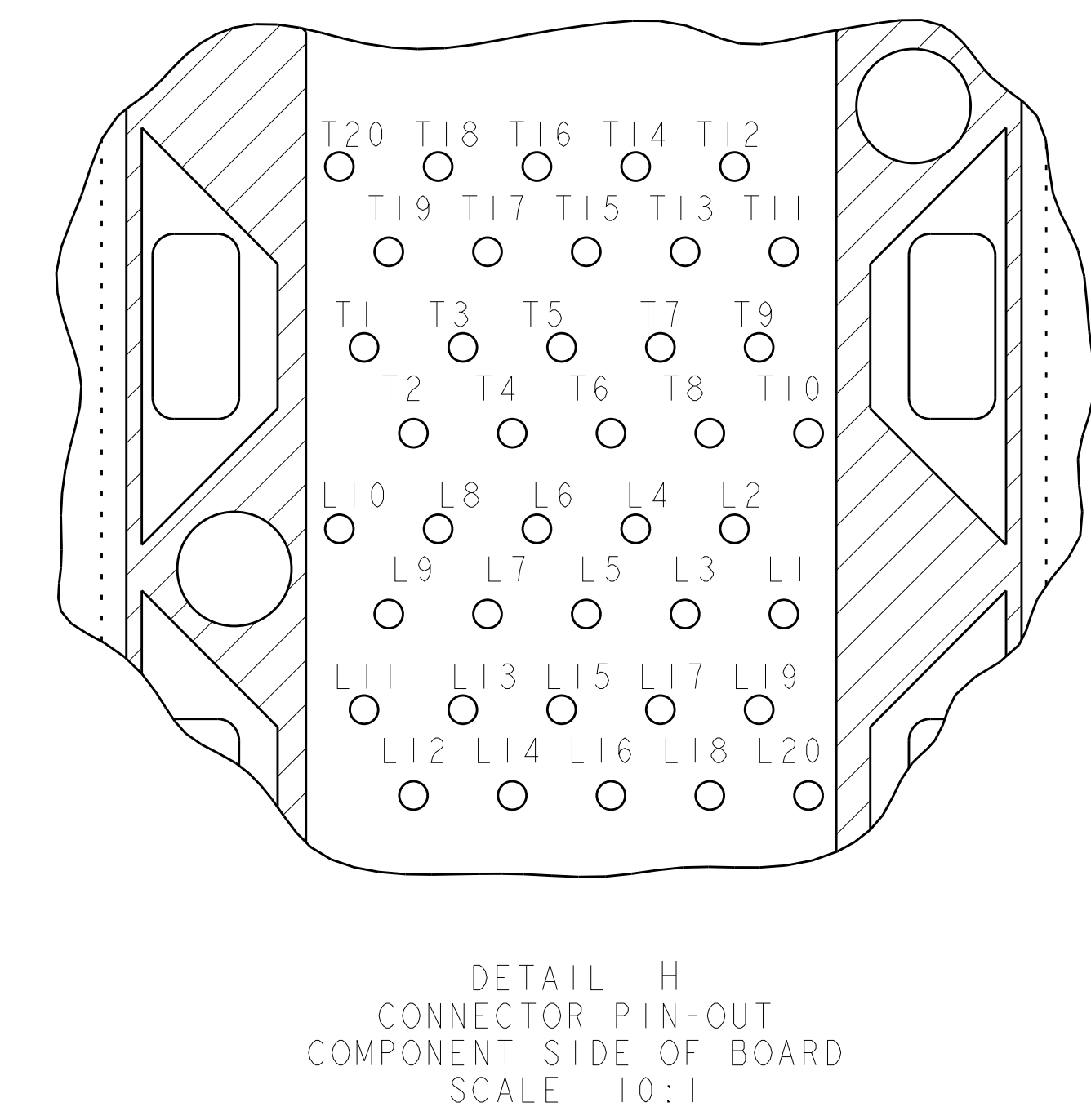
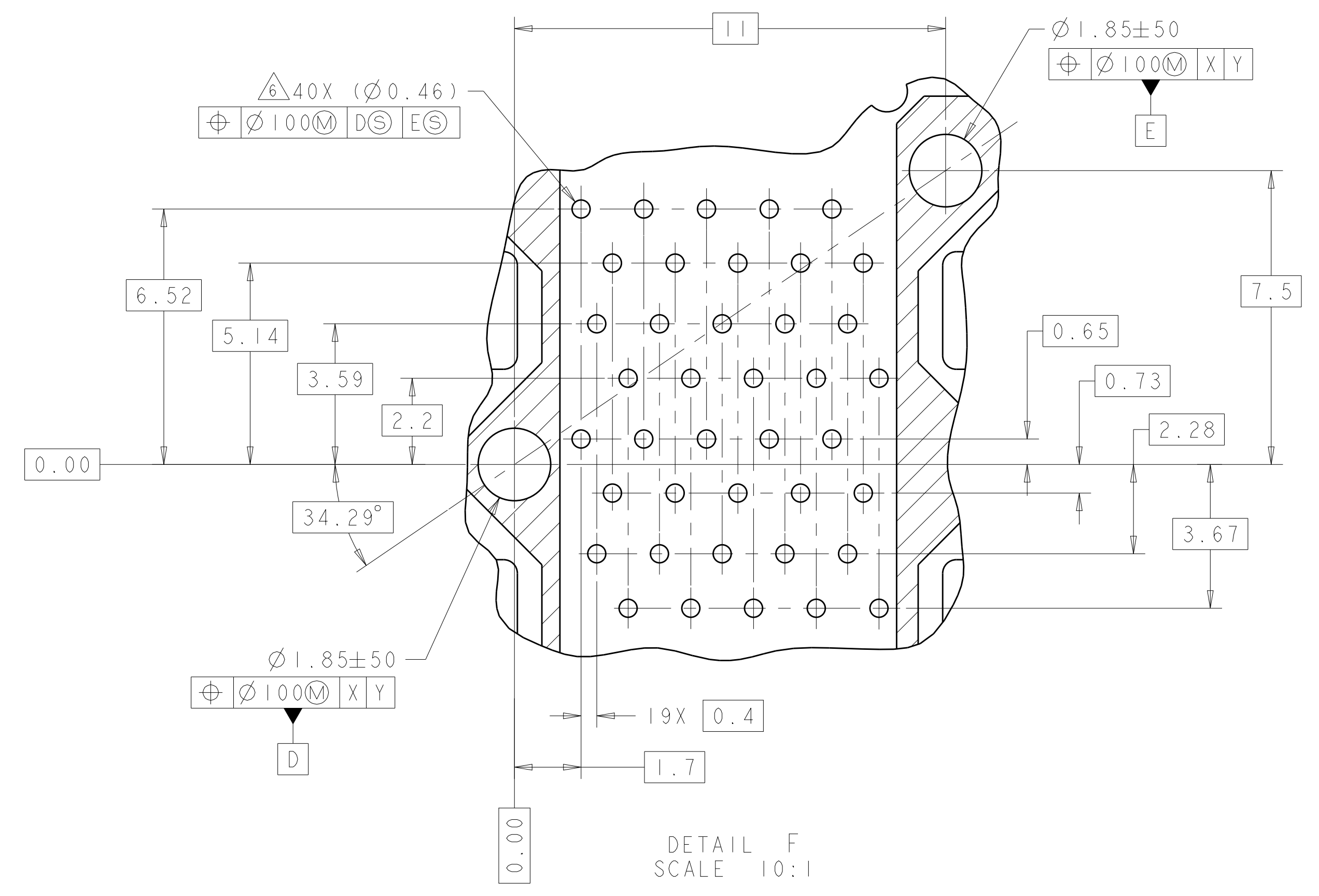
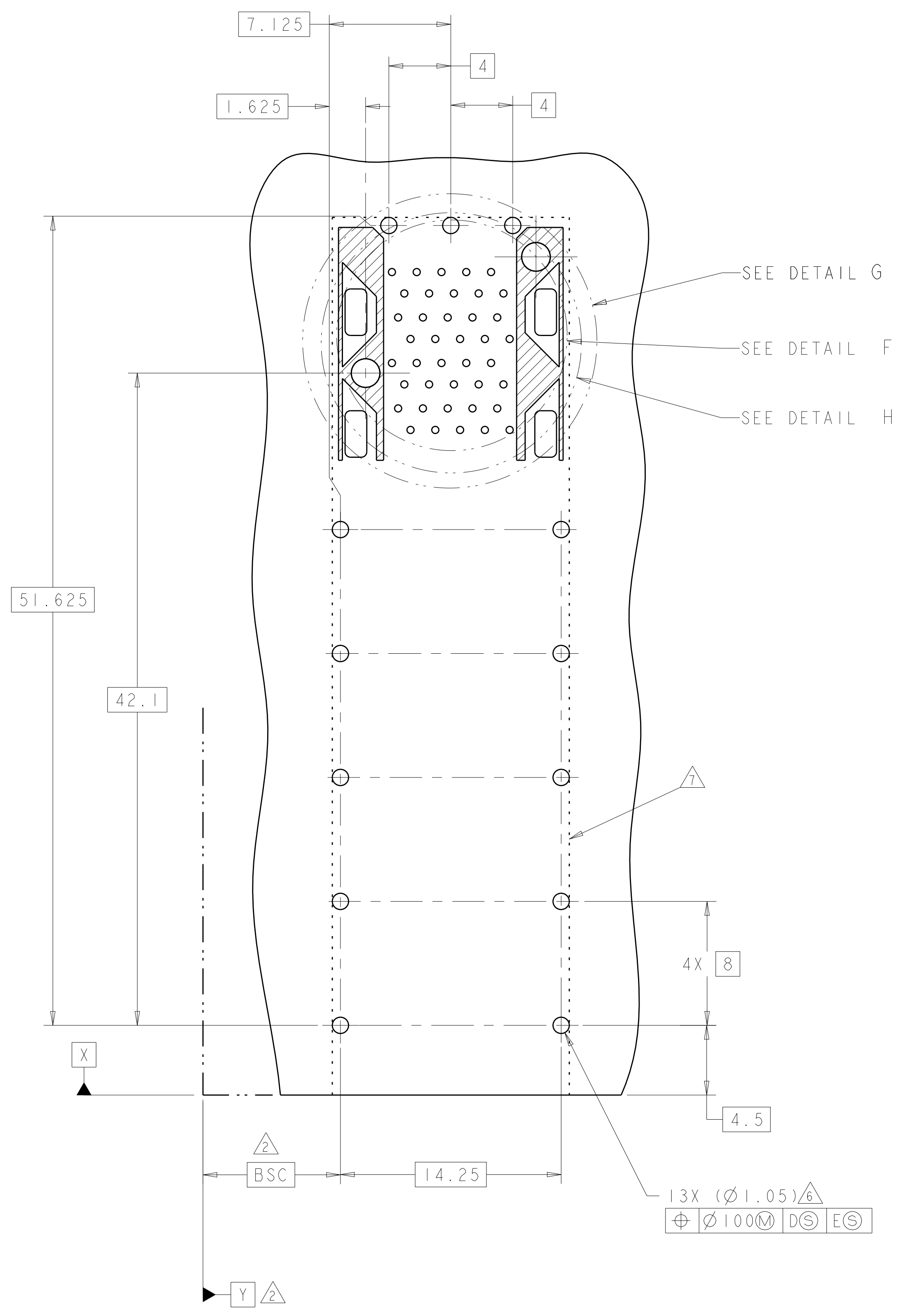
2170409-7  
SCALE 3:1



2170409-8  
SCALE 3:1

THIS DRAWING IS A CONTROLLED DOCUMENT.		DWN	TIM XUE	02NOV2012	 TE Connectivity	
DIMENSIONS:		CHK	ALEX CAI	02NOV2012		
TOLERANCES UNLESS OTHERWISE SPECIFIED:		APVD	ALEX CAI	02NOV2012		
mm		PRODUCT SPEC	NAME			
0 PLC	±	108-2331	CAGE AND PT CONNECTOR ASSEMBLY,			
1 PLC	±0.25	APPLICATION SPEC	WITH EMI SPRINGS,			
2 PLC	±0.20	114-13219	SIZE	CAGE CODE	DRAWING NO	RESTRICTED TO
3 PLC	±0.10	WEIGHT	A100779	C=2170409		
4 PLC	±	CUSTOMER DRAWING	SCALE	5:1	SHEET	3 OF 5
ANGLES	±				REV	B
FINISH						

LOC		DIST		REVISIONS			
GP	00	P	LTN	DESCRIPTION	DATE	DMN	APVD
		-		SEE SHEET 1	-	-	-



THIS DRAWING IS A CONTROLLED DOCUMENT.		DMN TIM XUE 02NOV2012	TE Connectivity
DIMENSIONS:		CHK ALEX CAI 02NOV2012	
mm	TOLERANCES UNLESS OTHERWISE SPECIFIED:	APVD ALEX CAI 02NOV2012	NAME CAGE AND PT CONNECTOR ASSEMBLY, WITH EMI SPRINGS, PRESS FIT, 2X1, STACKED SFP+
0 PLC ±0.20	1 PLC ±0.15	PRODUCT SPEC 108-2331	SIZE A100779C=2170409
2 PLC ±0.10	3 PLC ±0.10	APPLICATION SPEC 114-13219	RESTRICTED TO
4 PLC ±0.10	ANGLES ±°	WEIGHT	SCALE 5:1 SHEET 4 OF 5 REV B
MATERIAL	FINISH	CUSTOMER DRAWING	