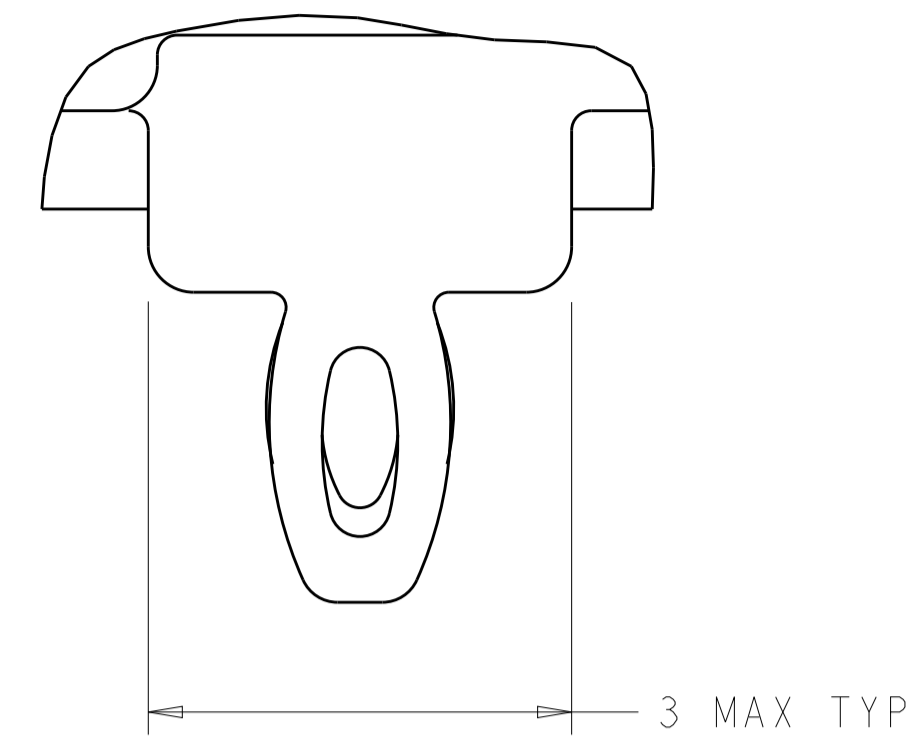


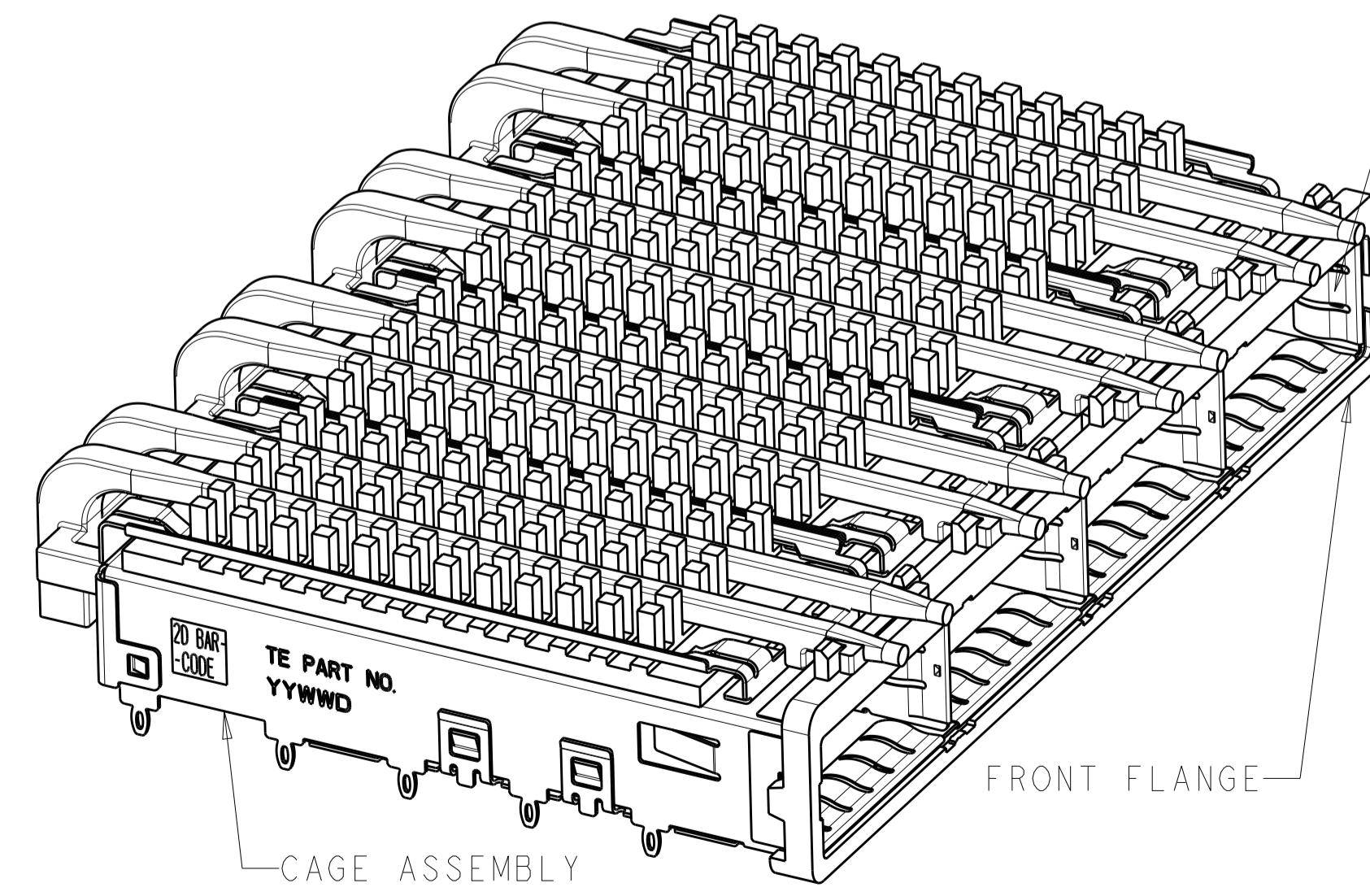
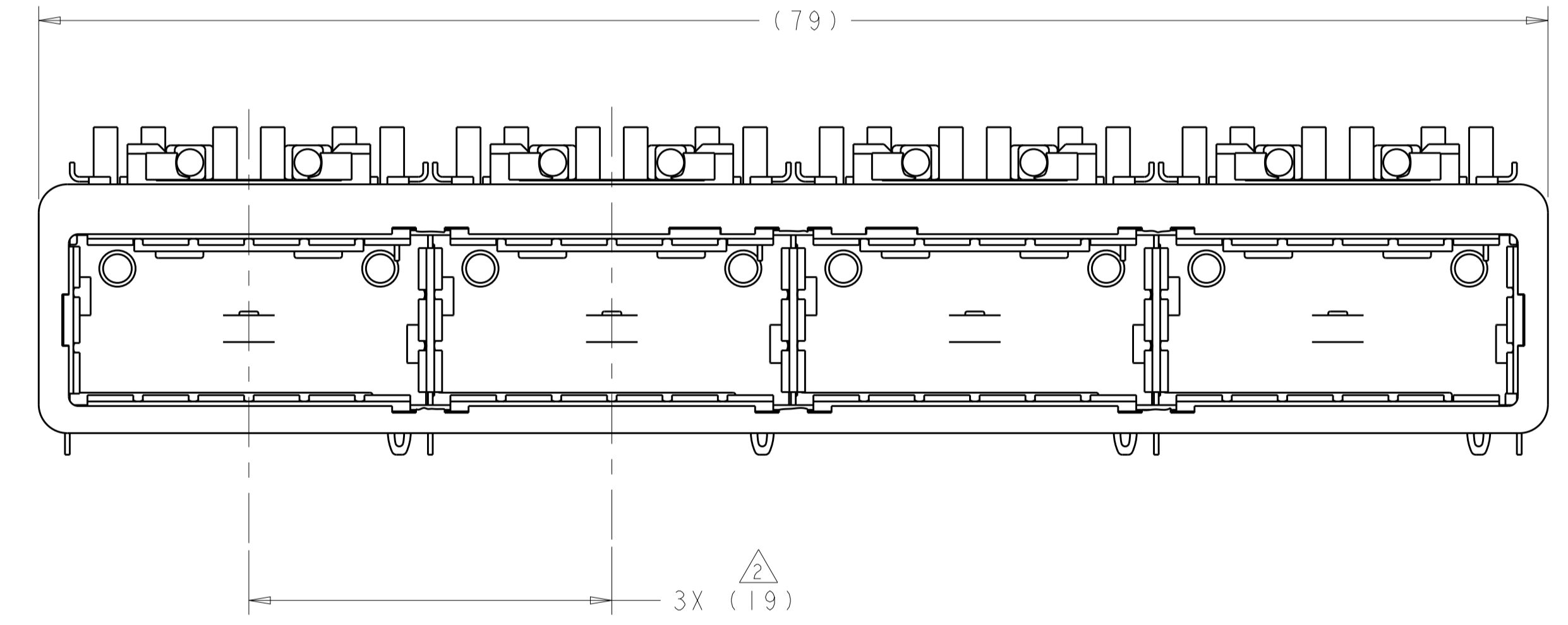
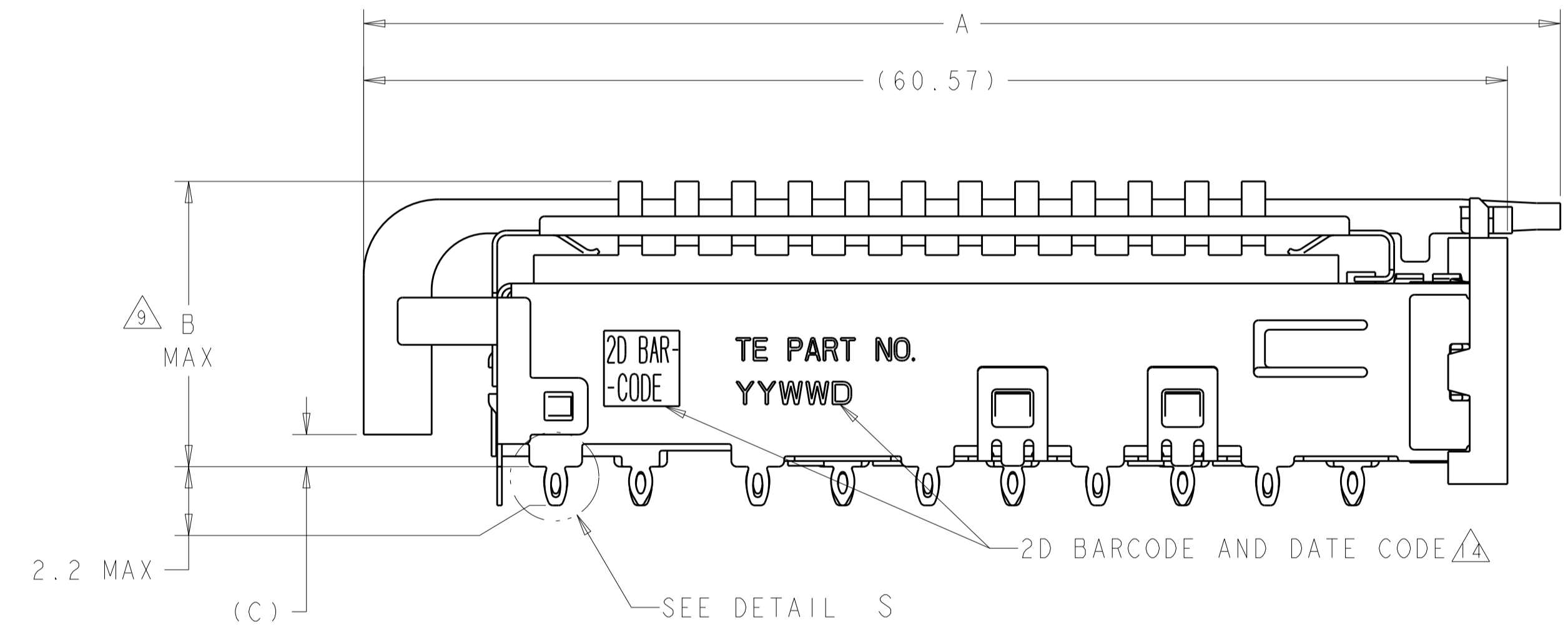
LOC	DIST	REVISIONS					
GP	00	P	LTN	DESCRIPTION	DATE	DWN	APVD
		A		ACTIVE THE DRAWING	03JAN2014	ZJ	JY
		B		REVISE PER ECO-15-000289	8JAN2015	RG	MC
		B1		ADD 2170567-6 AND 2170567-7	3MAY2015	RG	SH



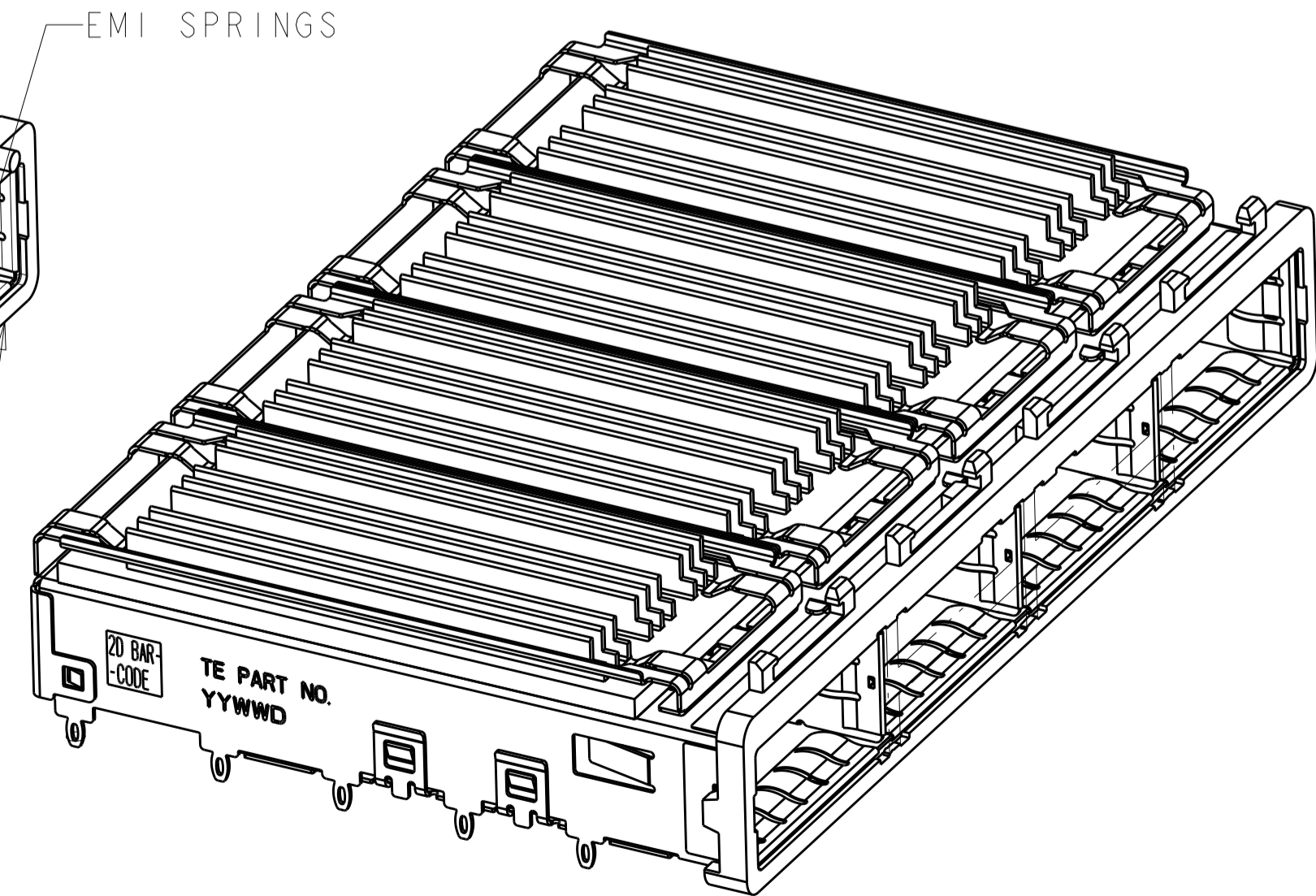
DETAIL S
 SCALE 20:1

- 1 CAGE ASSEMBLY MATERIAL: NICKEL SILVER, 0.25 THICK
 HEAT SINK MATERIAL: ALUMINUM
 HEAT SINK CLIP MATERIAL: STAINLESS STEEL
 EMI SPRING MATERIAL: COPPER ALLOY
 FRONT FLANGE MATERIAL: ZINC ALLOY
 LIGHT PIPE MATERIAL: CLEAR POLYCARBONATE
- 2 PITCH BETWEEN PORTS OF ONE 1X4 CAGE ASSEMBLY.
- 3 SPACING BETWEEN CAGES ON THE SAME PC BOARD, TO BE SPECIFIED BY CUSTOMER, MUST COMPLY WITH MINIMUM DIMENSIONS SHOWN.
- 4 REFERENCE APPLICATION SPEC 114-13218 FOR RECOMMENDED DRILL HOLE DIAMETER AND PLATING THICKNESS.
- 5 DATUMS AND BASIC DIMENSIONS ESTABLISHED BY CUSTOMER.
- 6 DIMENSION F IS THE NOMINAL THICKNESS OF CUSTOMER SUPPLIED PC BOARD,
 SINGLE SIDED PC BOARD MINIMUM THICKNESS = 1.45mm
 DOUBLE SIDED PC BOARD MINIMUM THICKNESS = 2.2mm PER QSFP.
- 7 HEAT SINKS, LIGHT PIPES, AND HEAT SINK CLIPS SHIPPED ASSEMBLED TO CAGE ASSEMBLY. CAGE ASSEMBLY MAY BE PRESSED INTO THE PCB AS SHIPPED.
- 8 DATUM -A- IS TOP SURFACE OF PC BOARD.
- 9 DIMENSION APPLIES WITH MODULE INSERTED IN CAGE.
- 10 UNPLATED THRU HOLE.
- 11. MATES WITH QSFP MSA COMPATIBLE TRANSCEIVER.
- 12 SURFACE TRACES PERMITTED WITHIN THIS AREA EXCEPT WHERE CAGE STANDOFFS, SHOWN IN DETAIL S, CONTACT PC BOARD.
- 13 BASELINE FOR THESE DIMENSIONS IS THE CENTER OF COMPLIANT PIN HOLE.
- 14 2D BARCODE AND DATE CODE (YYWW) MARKED ON SIDE OF CAGE.

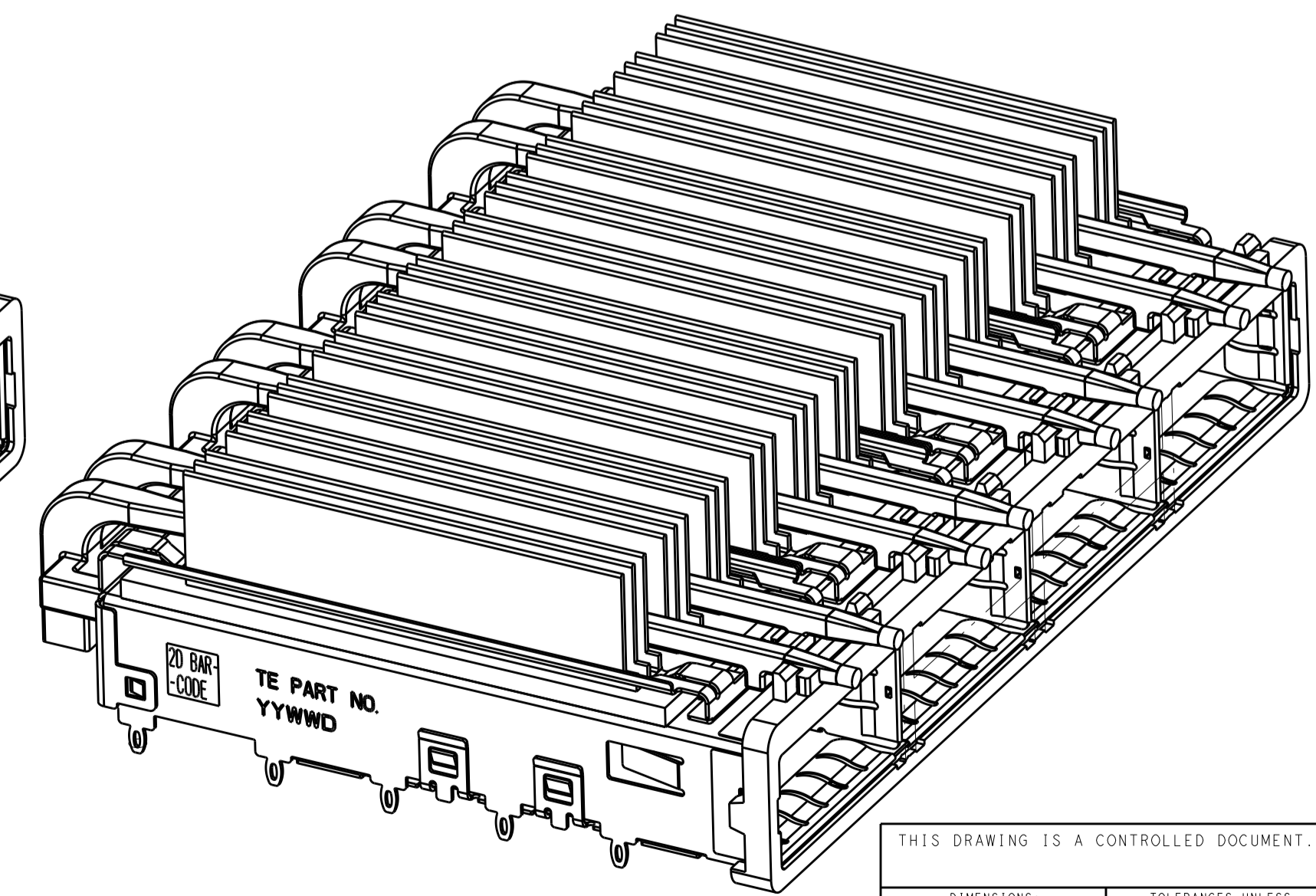
- 15 REFERENCE APP SPEC 114-13218 FOR GASKET THICKNESS CALCULATION.
- 16 EMI SPRING FINISH: 2µm MINIMUM TIN
 FRONT FLANGE FINISH: 3µm MINIMUM TIN OVER 1.27µm MINIMUM NICKEL OVER 5.08µm MINIMUM COPPER.
 HEAT SINK FINISH: BLACK ANODIZE PROCESS



2170567-3
 SCALE 5:2



2170567-6
 SCALE 5:2



2170567-7
 SCALE 5:2

A	B	HEAT SINK PROFILE	PART NUMBER
62.57	21.0	CUSTOMIZED	2170567-7
N/A	15.0	CUSTOMIZED	2170567-6
62.15	16.8	CUSTOMIZED	2170567-5
64.07	23.0	NETWORKING	2170567-4
64.07	16.0	SAN	2170567-3
64.07	16.8	CUSTOMIZED	2170567-2
64.07	13.7	PCI	2170567-1

THIS DRAWING IS A CONTROLLED DOCUMENT.

DIMENSIONS: mm

TOLERANCES UNLESS OTHERWISE SPECIFIED:

0 PLC	±
1 PLC	±0.1
2 PLC	±0.1
3 PLC	±
4 PLC	±
ANGLES	±

MATERIAL: 1

FINISH: 16

Customer Drawing

DWN: ZJ
 CHN: JASON
 APVD: JAC

DATE: 01JUL2013

PRODUCT SPEC: 108-2286

APPLICATION SPEC: 114-13218

WEIGHT: -

Customer Drawing

SCALE: 4:1

SHEET 1 OF 5

REV: B1

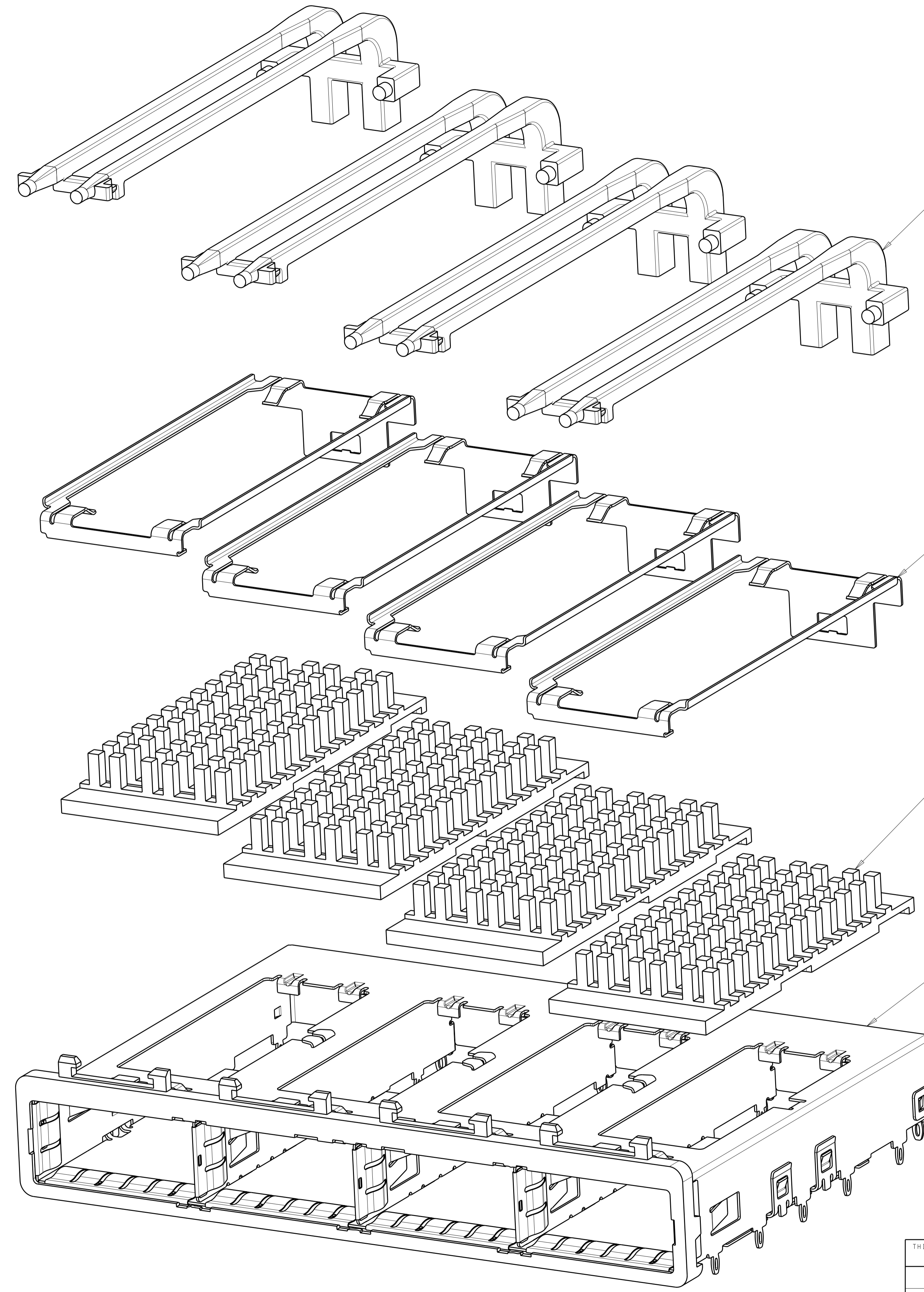
TE Connectivity

NAME: 1X4 CAGE ASSEMBLY, BEHIND BEZEL, W/ LIGHT PIPES AND HEAT SINKS, QSFP

SIZE: A1

DRAWING NO: C=2170567

LOC		DIST		REVISIONS			
GP	00	P	LYR	DESCRIPTION	DATE	OWN	APVD
		-		SEE SHEET 1			




DOUBLE LIGHT PIPES \triangle
 QUANTITY: 4

HEAT SINK CLIPS \triangle
 QUANTITY: 4

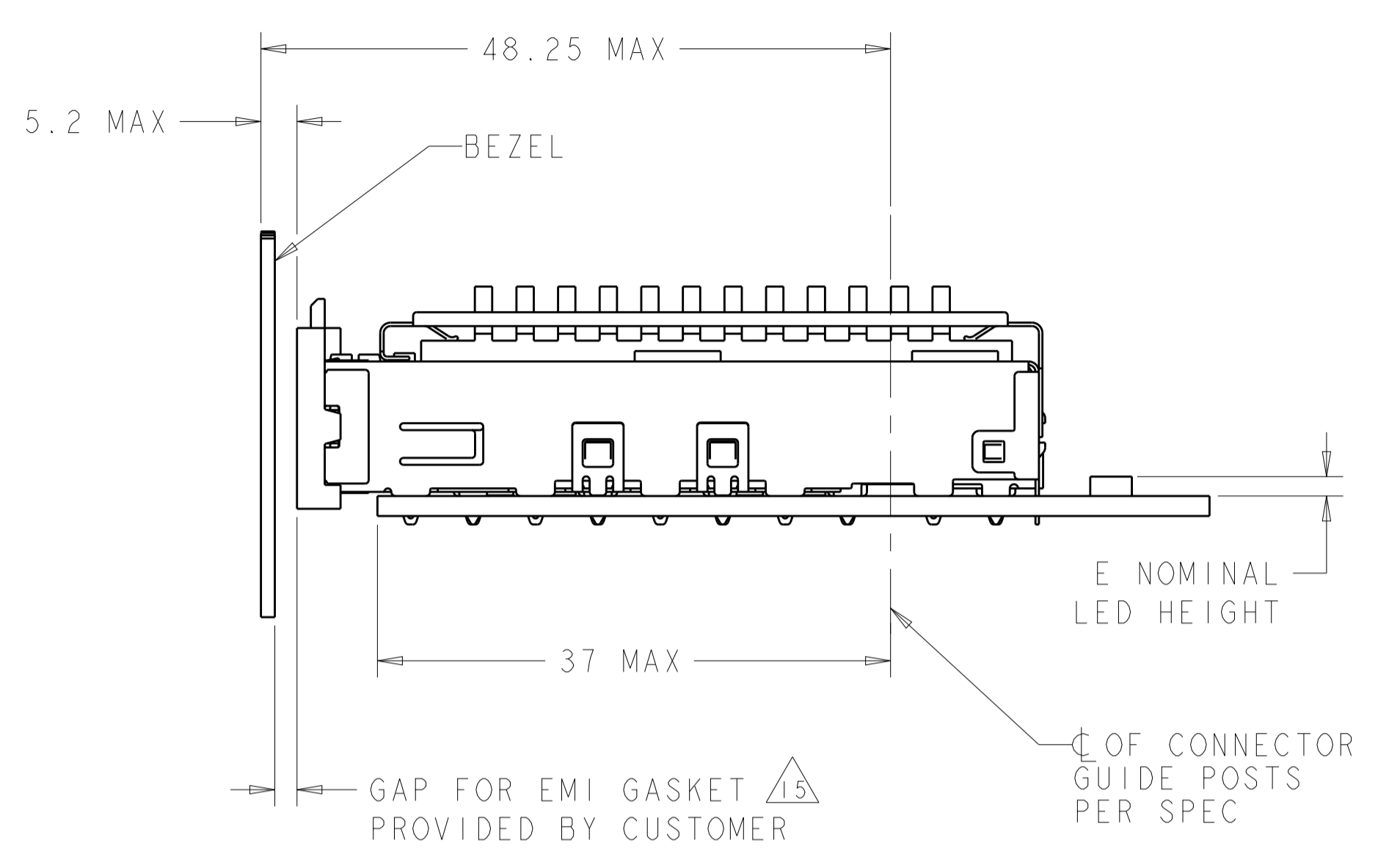
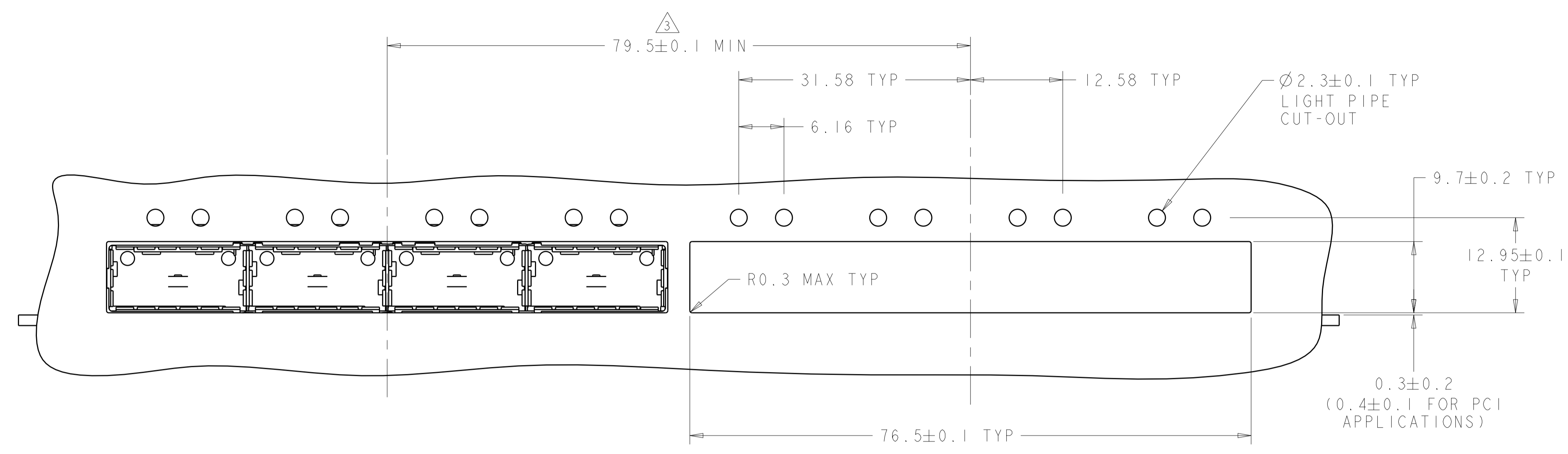
72 PIN HEAT SINKS \triangle
 QUANTITY: 4

1X4 BEHIND BEZEL QSFP
 CAGE ASSEMBLY
 QUANTITY: 1

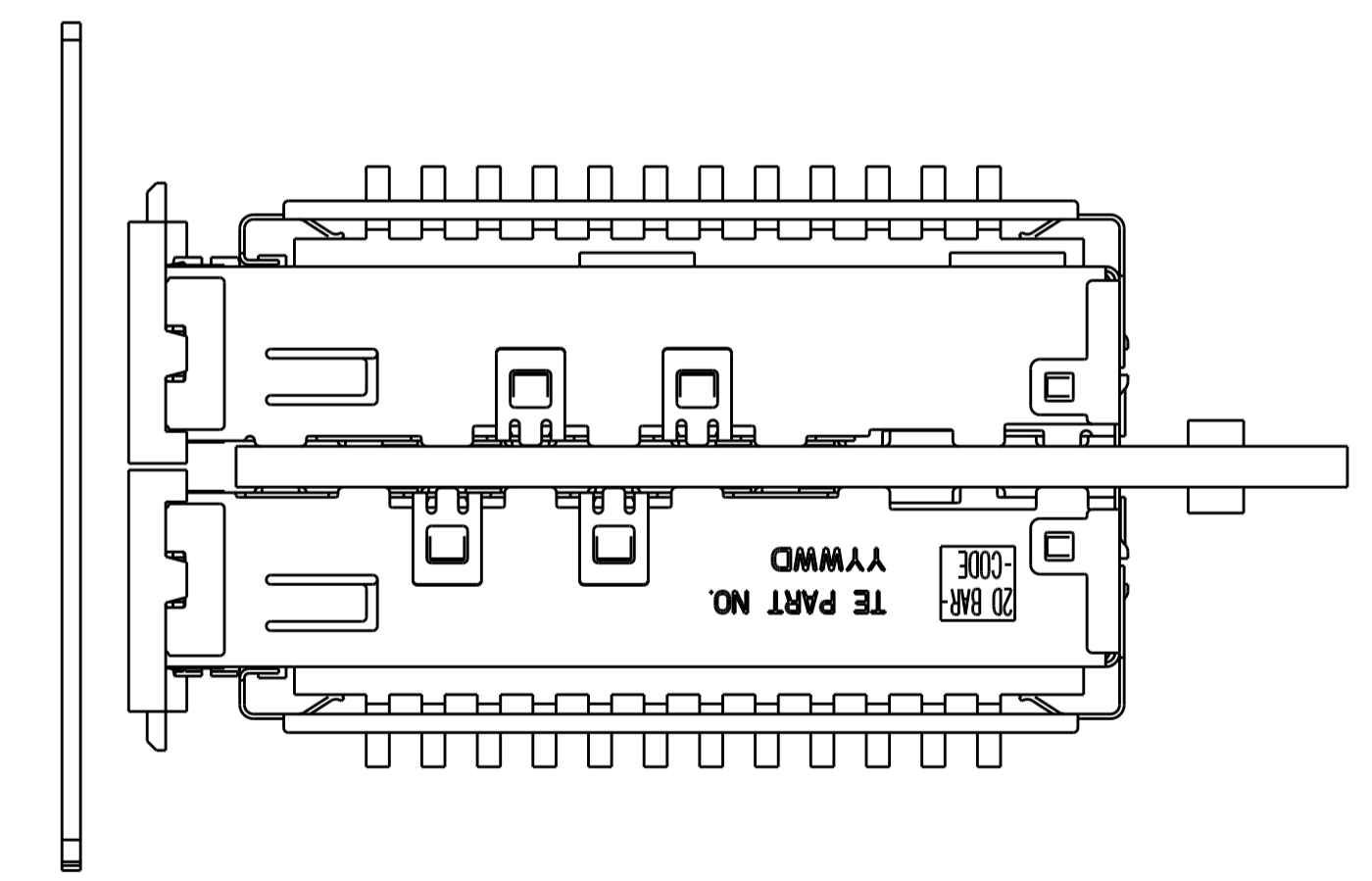
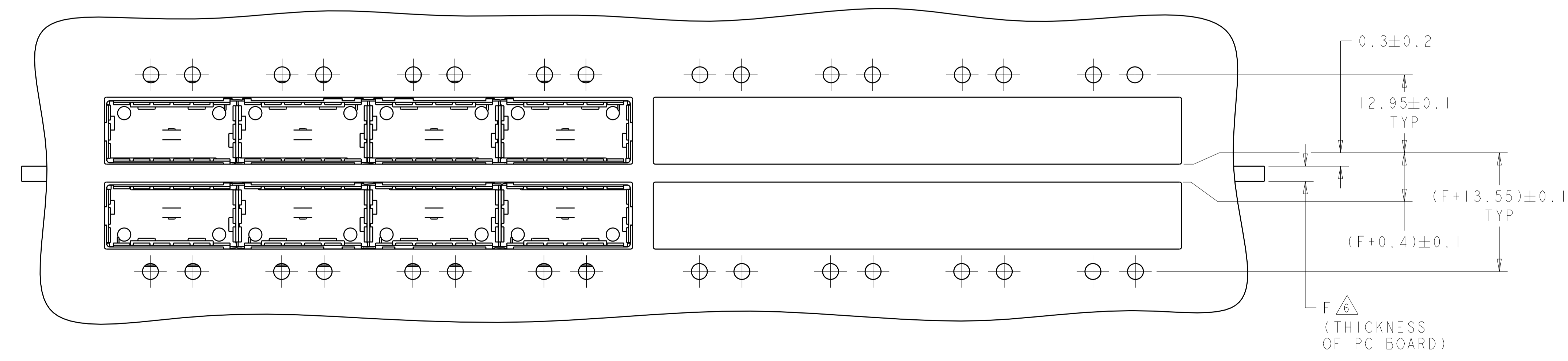
THIS DRAWING IS A CONTROLLED DOCUMENT.		OWN	01JUN2013	 TE Connectivity
		CHK	01JUL2013	
		APVD	01JUL2013	NAME 1X4 CAGE ASSEMBLY, BEHIND BEZEL, W/ LIGHT PIPES AND HEAT SINKS, QSFP
		AC		
DIMENSIONS:		PRODUCT SPEC		
mm		108-2286		
		APPLICATION SPEC		
		114-13218		
		WEIGHT		
		Customer Drawing		
TOLERANCES UNLESS OTHERWISE SPECIFIED:		SIZE	CAGE CODE	DRAWING NO
0 PLC \pm		A1	-	C=2170567
1 PLC ± 0.1		RESTRICTED TO		
2 PLC ± 0.1		SCALE		
3 PLC \pm		4:1		
4 PLC \pm		SHEET		
ANGLES \pm		2		
FINISH		OF		
		5		
		REV		
		B1		

LOC	DIST	REV	DATE	BY	APPD
GP	00				

REVISIONS			
NO.	DESCRIPTION	DATE	BY
-	SEE SHEET 1	-	-



ONE SIDED CONFIGURATION
 SCALE 5:2

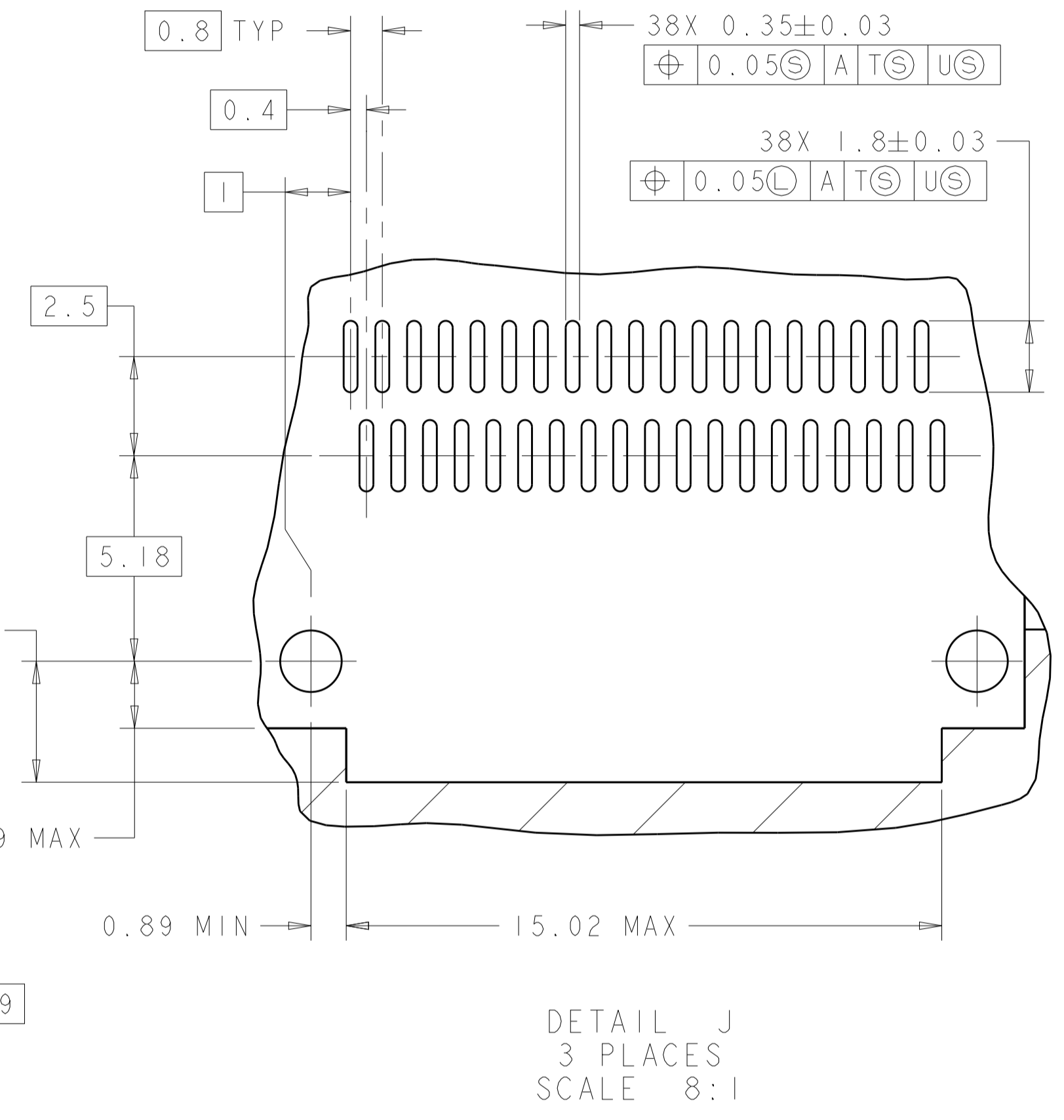
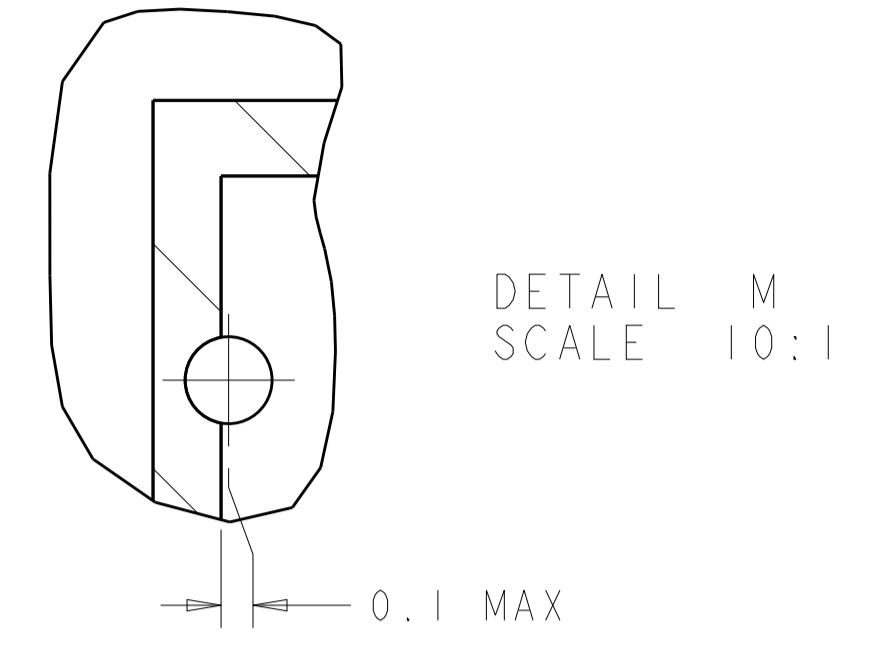
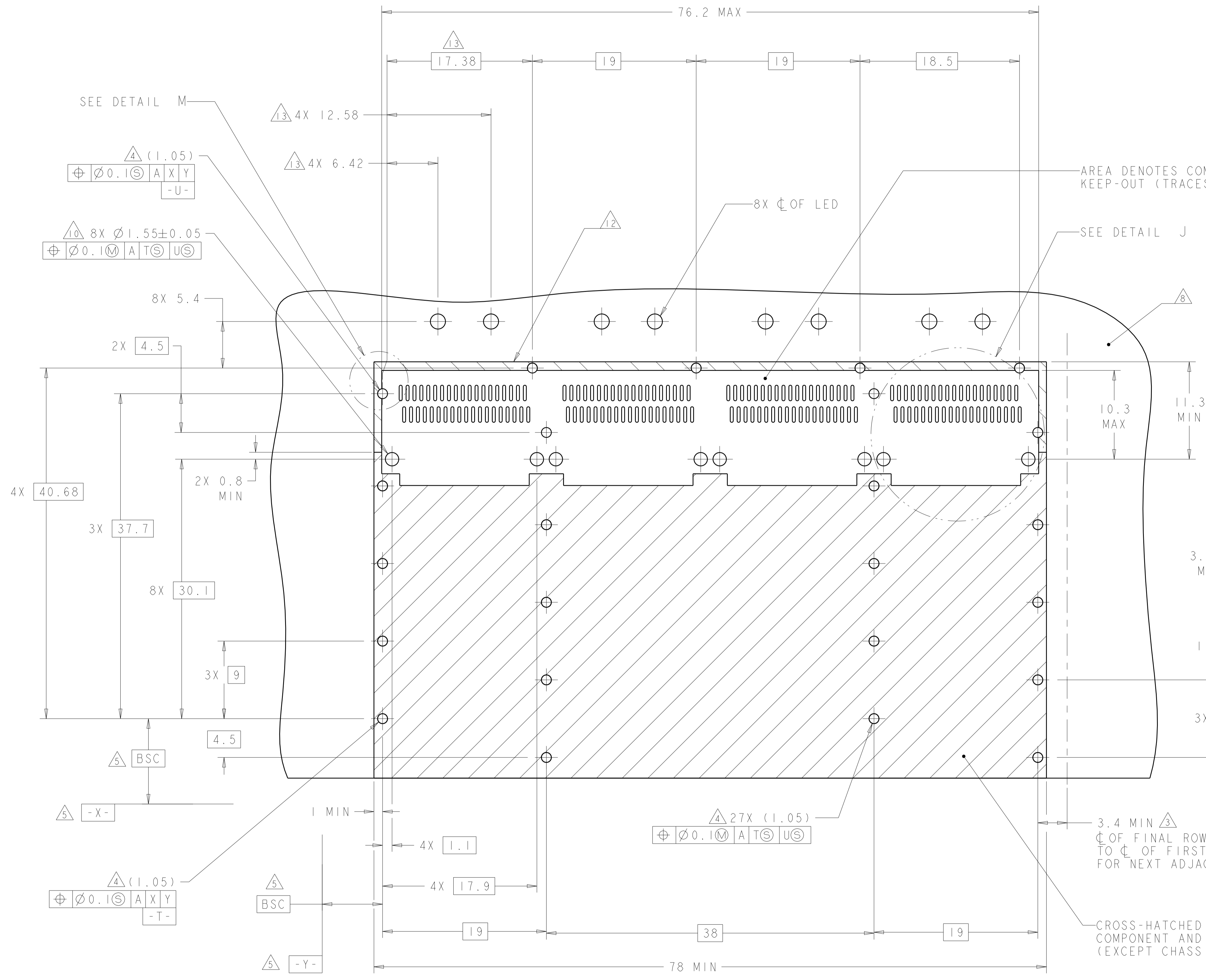


BELLY TO BELLY CONFIGURATION
 SIMILAR TO ONE SIDED
 EXCEPT WHERE NOTED
 SCALE 5:2

THIS DRAWING IS A CONTROLLED DOCUMENT.		OWN: 01 JUL 2013	TE Connectivity
DIMENSIONS: mm		CHK: JASON 01 JUL 2013	
TOLERANCES UNLESS OTHERWISE SPECIFIED:		APPD: AC 01 JUL 2013	NAME: 1X4 CAGE ASSEMBLY, BEHIND BEZEL, W/ LIGHT PIPES AND HEAT SINKS, QSFP
0 PLC ±	1 PLC ±0.1	PRODUCT SPEC	SIZE: A1
2 PLC ±0.1	3 PLC ±	108-2286	CAGE CODE: -
4 PLC ±	ANGLES ±	APPLICATION SPEC	DRAWING NO: C=2170567
MATERIAL: -	FINISH: -	114-13218	RESTRICTED TO: -
Customer Drawing		WEIGHT: -	SCALE: 4:1
			SHEET 3 OF 5
			REV: B1

LOC	DIST	REV	DATE	BY	APPD
GP	00				

REVISIONS			
NO.	DESCRIPTION	DATE	BY
1	SEE SHEET 1		



RECOMMENDED PC BOARD LAYOUT
SINGLE SIDE MOUNT CONFIGURATION
SCALE 4:1

AREA DENOTES COMPONENT
KEEP-OUT (TRACES PERMITTED)

SEE DETAIL J

3.4 MIN Δ
CL OF FINAL ROW OF HOLES
TO CL OF FIRST ROW OF HOLES
FOR NEXT ADJACENT CAGE

CROSS-HATCHED AREA DENOTES
COMPONENT AND TRACE KEEP-OUT
(EXCEPT CHASSIS GROUND)

THIS DRAWING IS A CONTROLLED DOCUMENT.		OWN: ZJ	DATE: 01 JUL 2013	 TE Connectivity
DIMENSIONS: mm		CHK: JSAON	DATE: 01 JUL 2013	
TOLERANCES UNLESS OTHERWISE SPECIFIED:		APPD: AC	DATE: 01 JUL 2013	NAME: 1X4 CAGE ASSEMBLY, BEHIND BEZEL, W/ LIGHT PIPES AND HEAT SINKS, QSFP
0 PLC ±0.1		PRODUCT SPEC: 108-2286	APPLICATION SPEC: 114-13218	
1 PLC ±0.1		WEIGHT: -	SCALE: 4:1	SHEET 4 OF 5
2 PLC ±0.1		Customer Drawing	SCALE: 4:1	
3 PLC ±0.1				
4 PLC ±0.1				
ANGLES ±0.1				
FINISH: -				