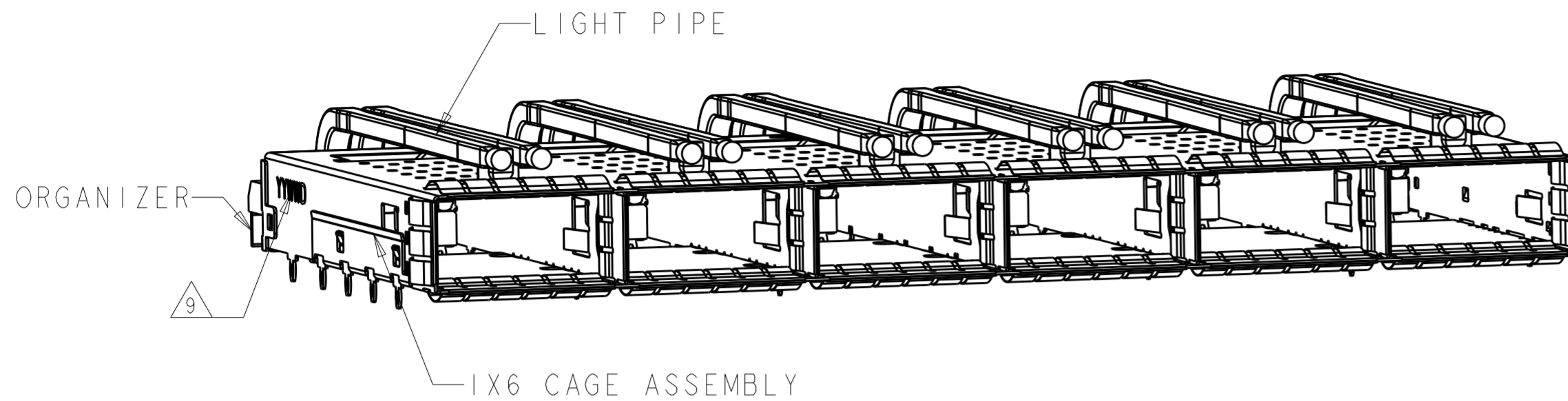
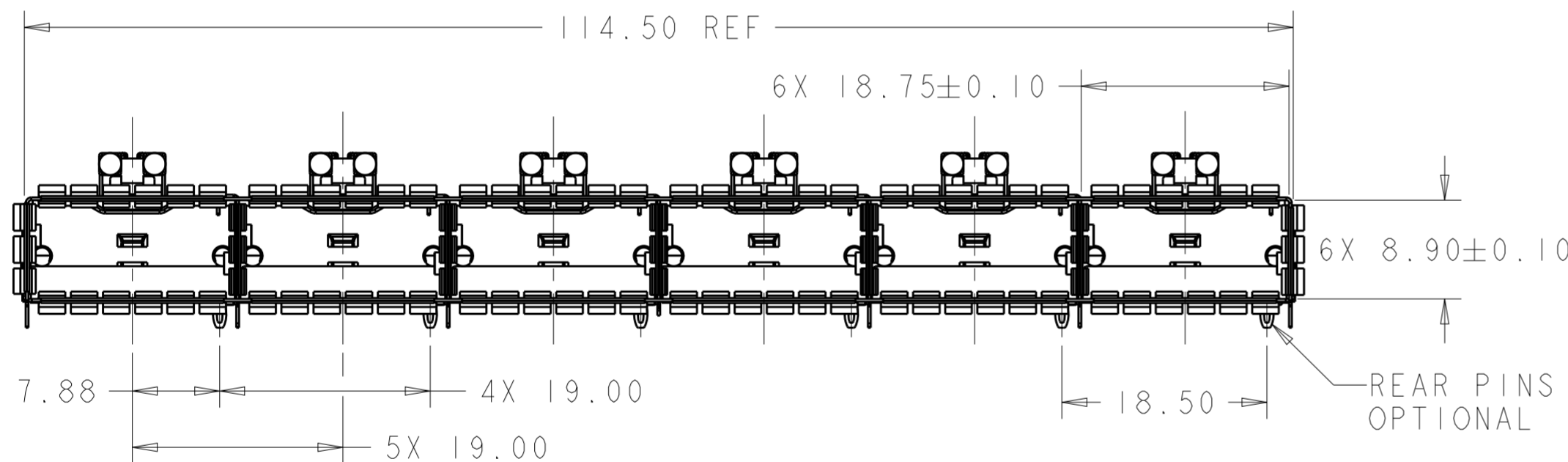


REVISIONS					
P	LTR	DESCRIPTION	DATE	DWN	APVD
A		RELEASE	08NOV2016	JY	SH
B		REVISED PER ECO-20-003007	3MAR2020	JW	SH
BI		REVISED PER ECO-20-012842	11SEP2020	JW	SH
C		REVISED PER ECO-20-015173	12OCT2020	JY	SH

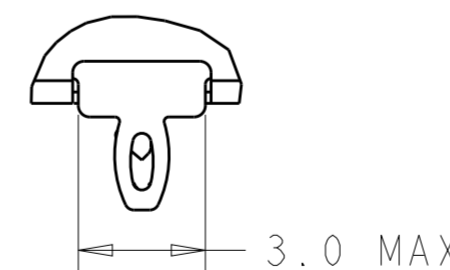
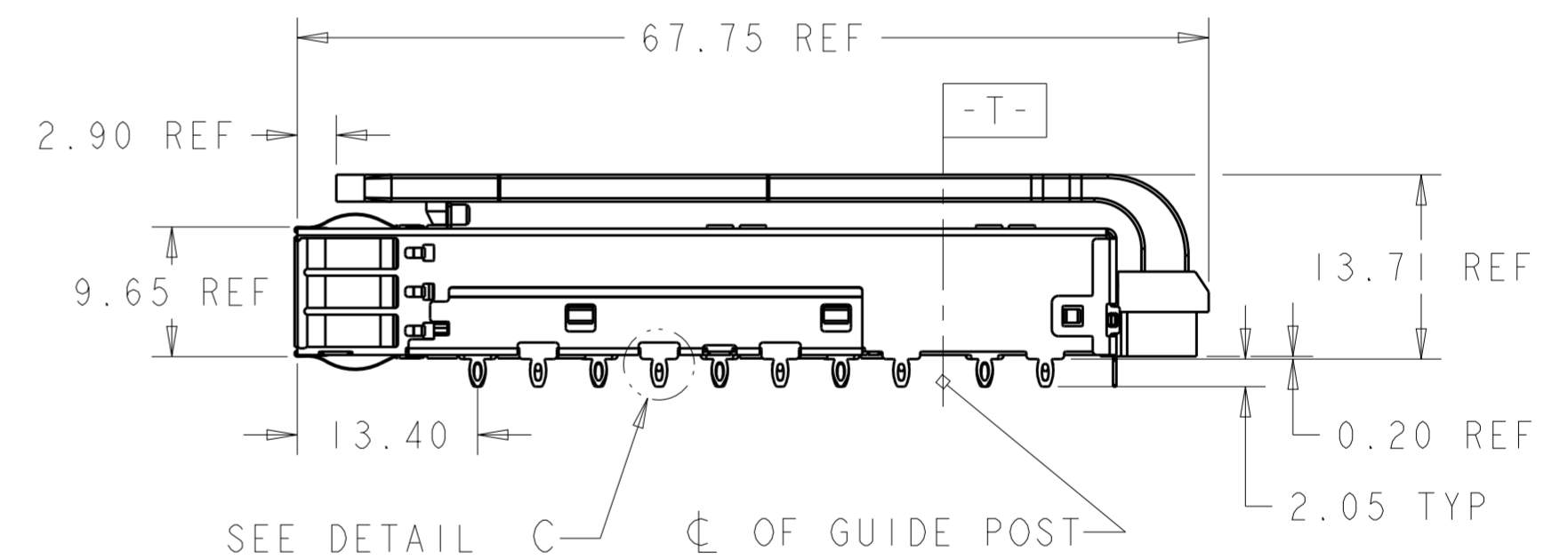


2170734-1 AS SHOWN  
SCALE 2:1

1. COMPONENTS  
 CAGE ASSEMBLY: NICKEL-SILVER ALLOY  
 EMI SPRING: COPPER ALLOY/NICKEL PLATE  
 LIGHT PIPE: CLEAR POLYCARBONATE WITH UL 94 V-0  
 ORGANIZER: POLYESTER WITH UL 94 V-0
2. REFERENCE APPLICATION SPECIFICATION 114-32023 FOR RECOMMENDED DRILL HOLE DIAMETER AND PLATING THICKNESS
3. DATUM AND BASIC DIMENSION ESTABLISHED BY CUSTOMER
4. MATES WITH QSFP28 MSA COMPATIBLE TRANSCEIVER.
5. LIGHT PIPES ARE SHIPPED ASSEMBLED ON CAGE
6. MINIMUM PC BOARD THICKNESS: SINGLE SIDED: 1.57 MIN  
 DOUBLE SIDED: 2.20 MIN
7. DATUM **-A-** IS TOP SURFACE OF THE HOST BOARD.
8. THESE HOLES ARE OPTIONAL WHEN THE REAR PINS ARE REMOVED.
9. DATE CODE (YYWWD) MARKED APPROXIMATELY AS SHOWN.



SCALE 2:1



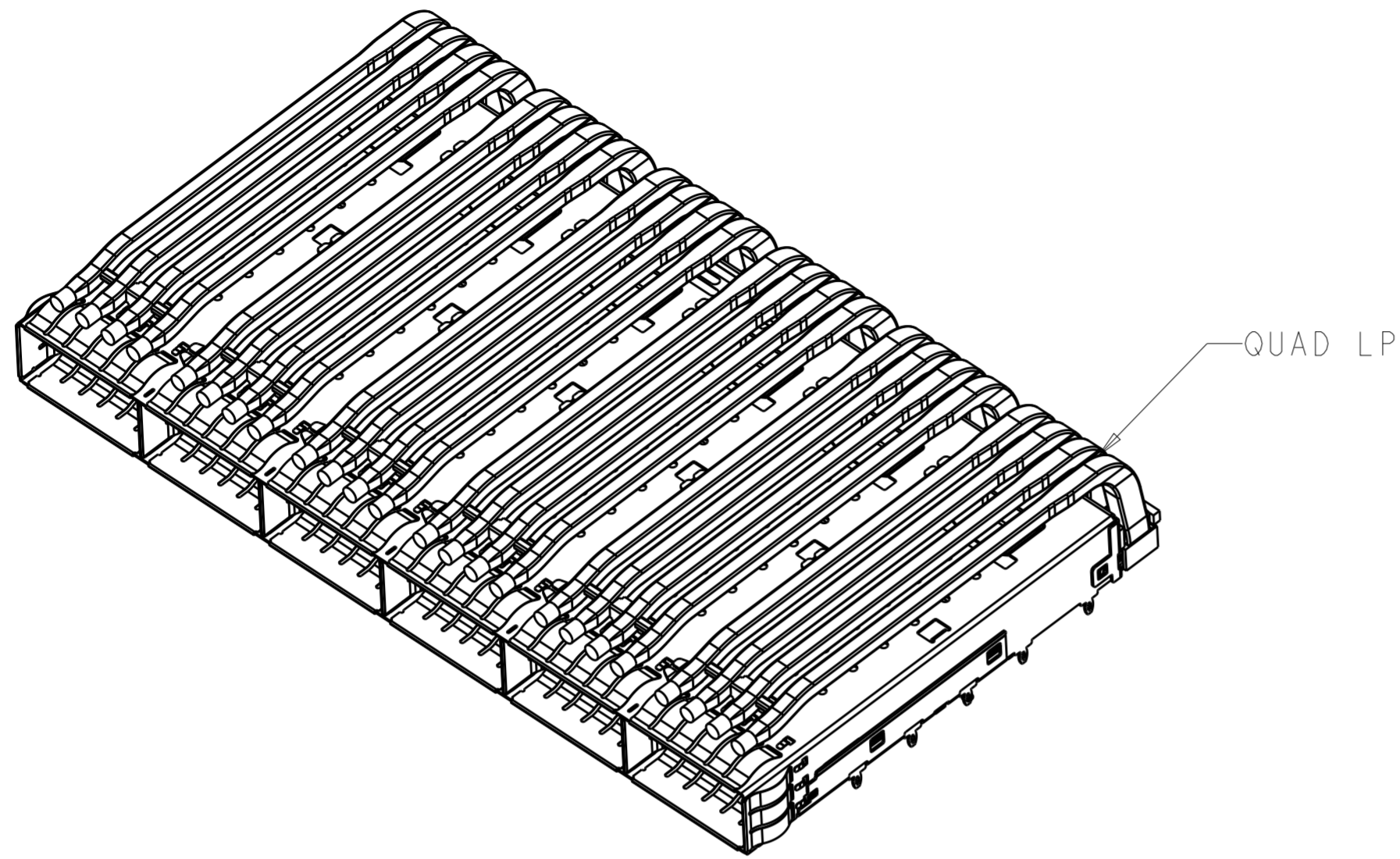
DETAIL C  
SCALE 6:1

SINGLE	WITHOUT	2170734-6
SINGLE	WITH	2170734-5
QUAD	WITHOUT	2170734-4
QUAD	WITH	2170734-3
DUAL	WITHOUT	2170734-2
DUAL	WITH	2170734-1
LIGHT PIPE OPTIONS	REAR PINS OPTIONAL	PART NUMBER

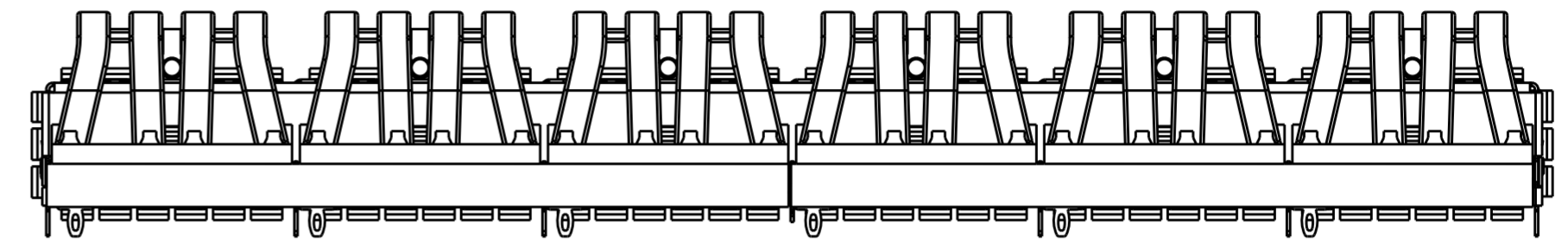
THIS DRAWING IS A CONTROLLED DOCUMENT.		DWN JASON YANG 14FEB2020	TE Connectivity	
		CHK SEAN HAN 08NOV2016		
DIMENSIONS:	TOLERANCES UNLESS OTHERWISE SPECIFIED:	APVD -	NAME RECEPTACLE ASSEMBLY THRU BEZEL IX6, QSFP28 EMI SPRINGS	
mm	0 PLC ± 1 PLC ±0.5 2 PLC ±0.13 3 PLC ±0.013 4 PLC ±0.0001	PRODUCT SPEC 108-19428	SIZE A2	
MATERIAL	FINISH SEE NOTES	APPLICATION SPEC 114-32023	CAGE CODE 00779	DRAWING NO C-2170734
		WEIGHT -	RESTRICTED TO	
		CUSTOMER DRAWING	SCALE 3:1	SHEET 1 OF 10

2170734-3 WITH REAR PINS  
 2170734-4 WITHOUT REAR PINS

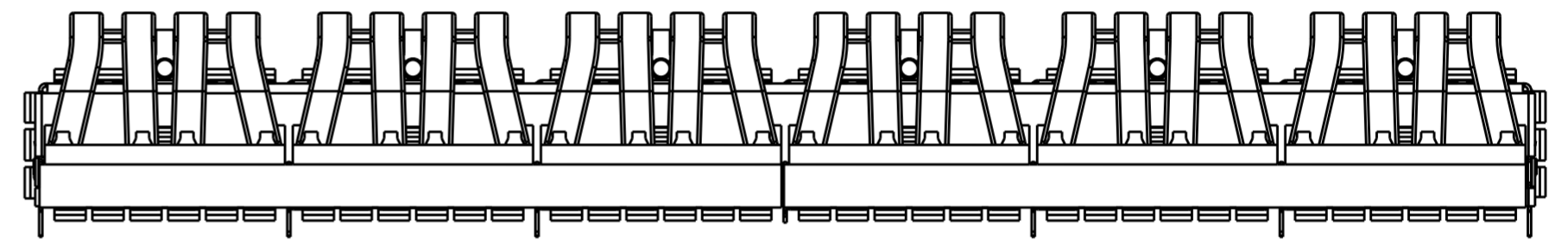
REVISIONS				
P	LTR	DESCRIPTION	DATE	APVD
-		SEE SHEET 1	-	-



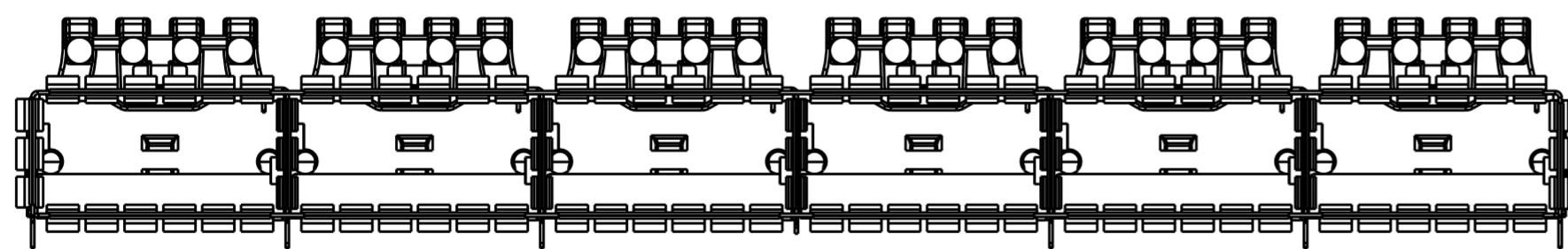
2170734-3/4  
 UNSPECIFIED DIMENSIONS ARE SAME AS 2170734-1  
 SCALE 3:2



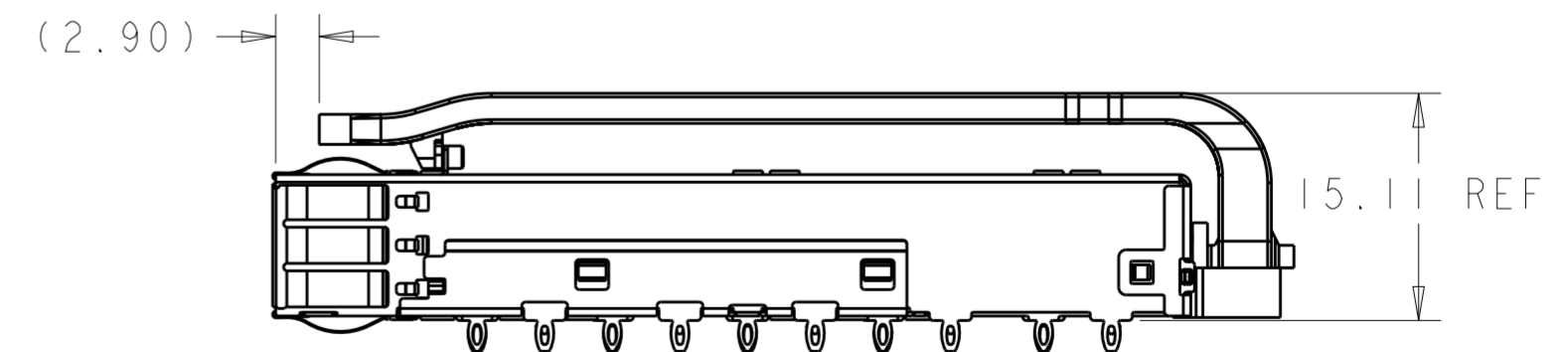
BACK VIEW  
 2170734-3 WITH REAR PINS  
 SCALE 2:1



BACK VIEW  
 2170734-4 WITHOUT REAR PINS  
 SCALE 2:1



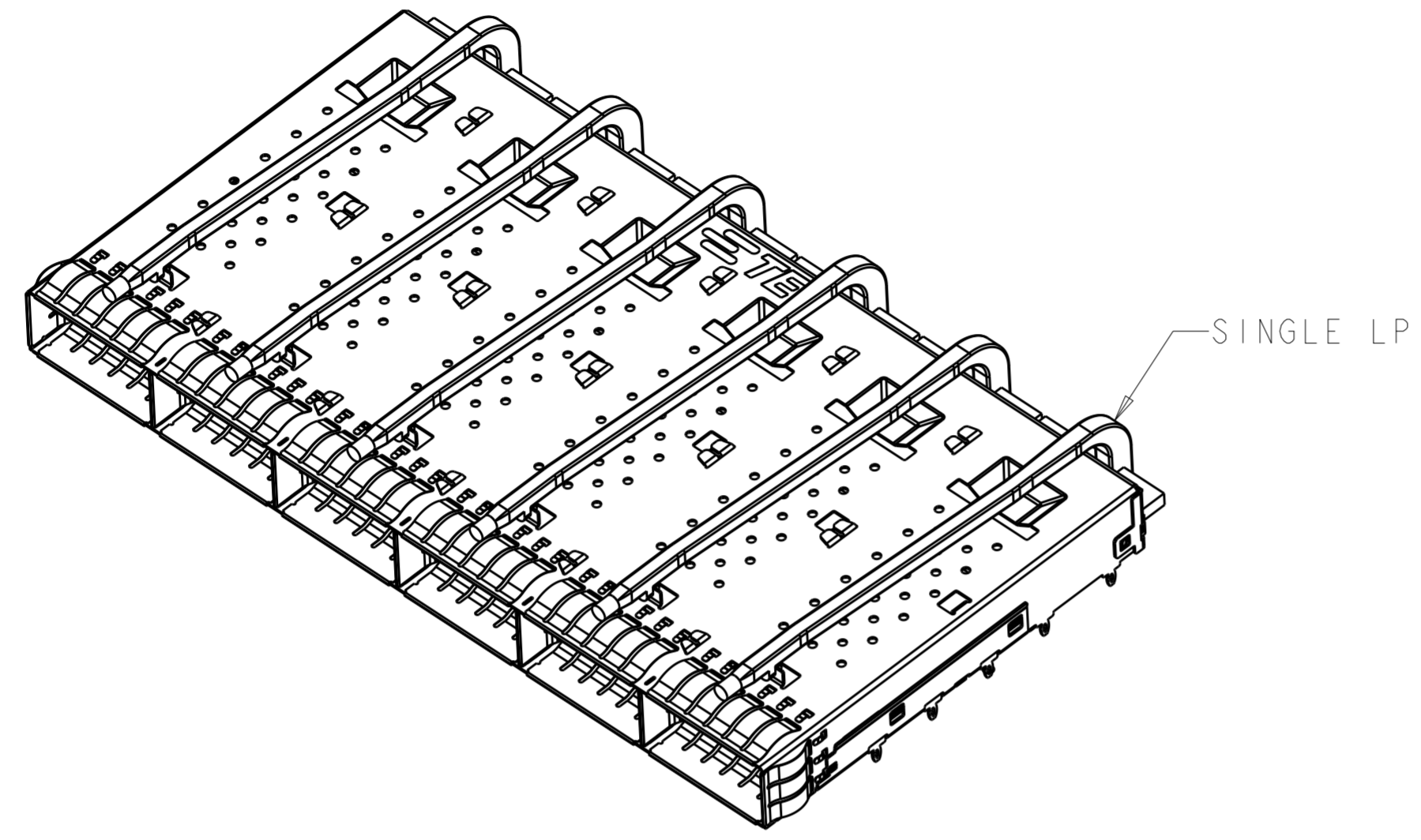
SCALE 2:1



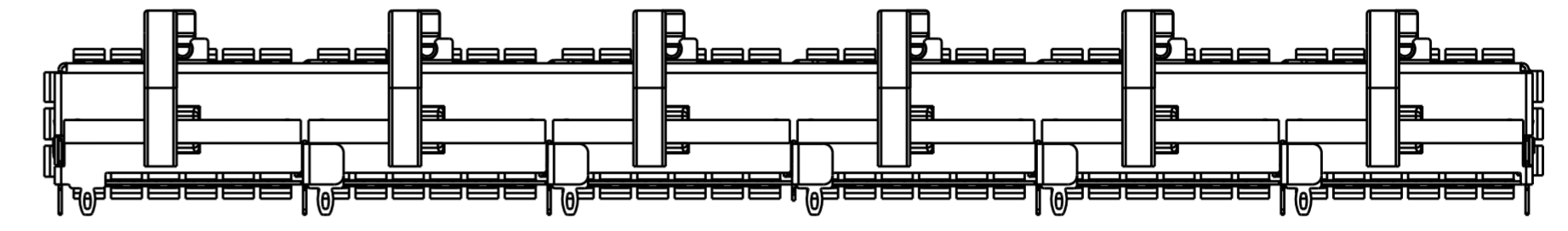
THIS DRAWING IS A CONTROLLED DOCUMENT.		DWN 14FEB2020 JASON YANG		
		CHK 08NOV2016 SEAN HAN		
DIMENSIONS:	TOLERANCES UNLESS OTHERWISE SPECIFIED:	APVD -	NAME	
mm	0 PLC ± 1 PLC ±0.5 2 PLC ±0.13 3 PLC ±0.013 4 PLC ±0.0001 ANGLES ± FINISH	PRODUCT SPEC 108-19428	RECEPTACLE ASSEMBLY THRU BEZEL 1X6, QSFP28 EMI SPRINGS	
MATERIAL	SEE NOTES	APPLICATION SPEC 114-32023	SIZE	RESTRICTED TO
TBD		WEIGHT	A200779 C-2170734	
		CUSTOMER DRAWING	SCALE 3:1	SHEET 2 OF 10 REV C

2170734-5 WITH REAR PINS  
2170734-6 WITHOUT REAR PINS

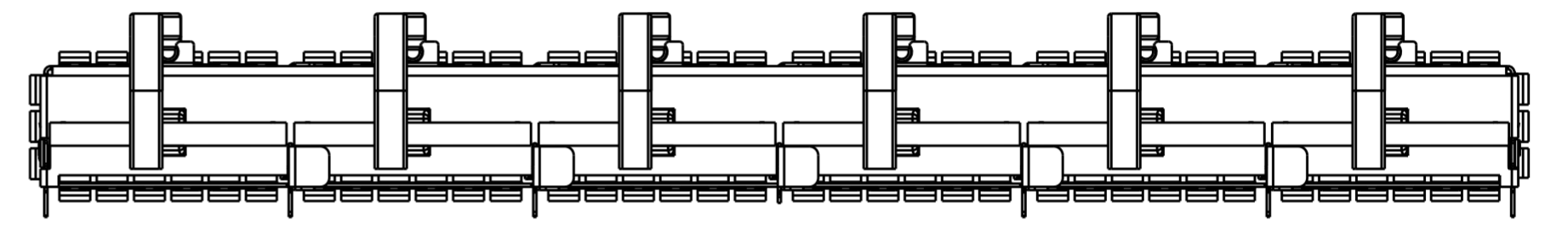
REVISIONS				
P	LTR	DESCRIPTION	DATE	APVD
-		SEE SHEET 1	-	-



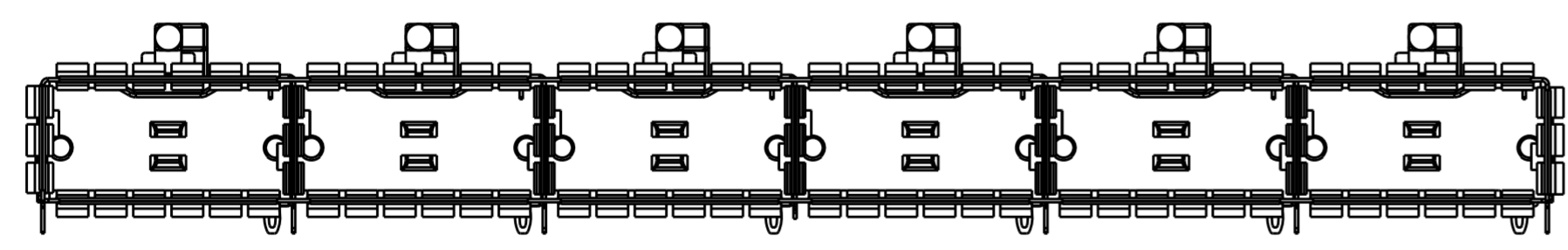
2170734-5/6  
UNSPECIFIED DIMENSIONS ARE SAME AS 2170734-1  
SCALE 3:2



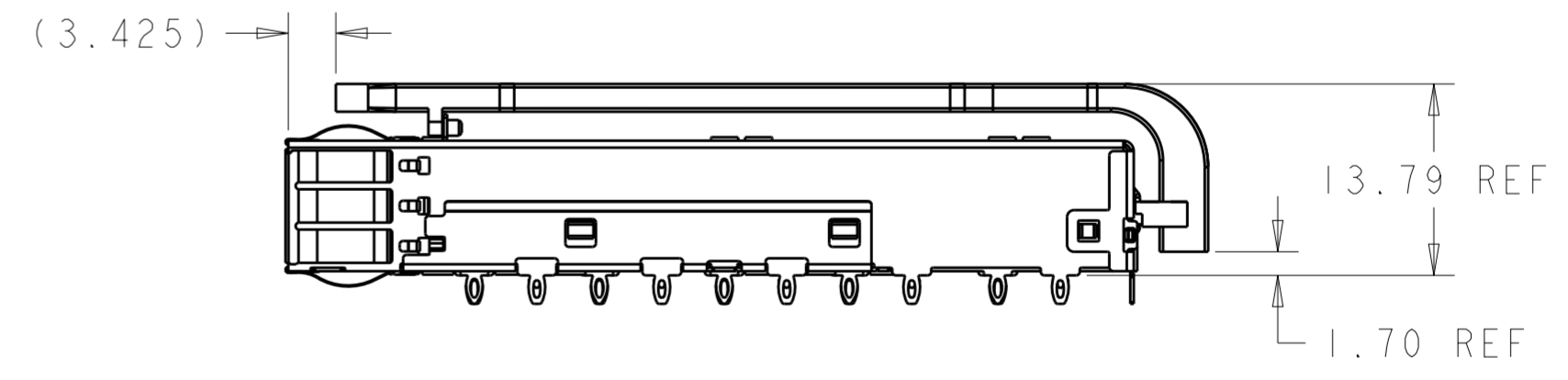
BACK VIEW  
2170734-5 WITH REAR PINS  
SCALE 2:1



BACK VIEW  
2170734-6 WITHOUT REAR PINS  
SCALE 2:1

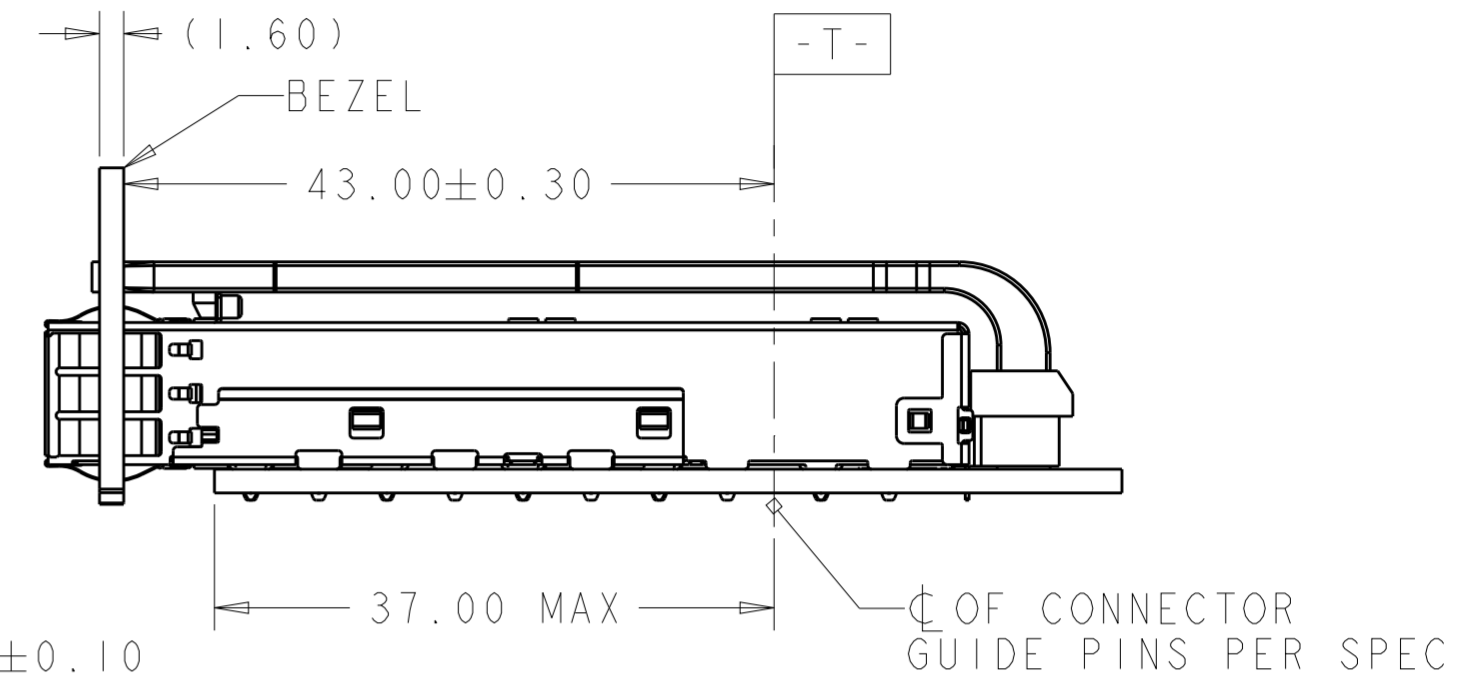
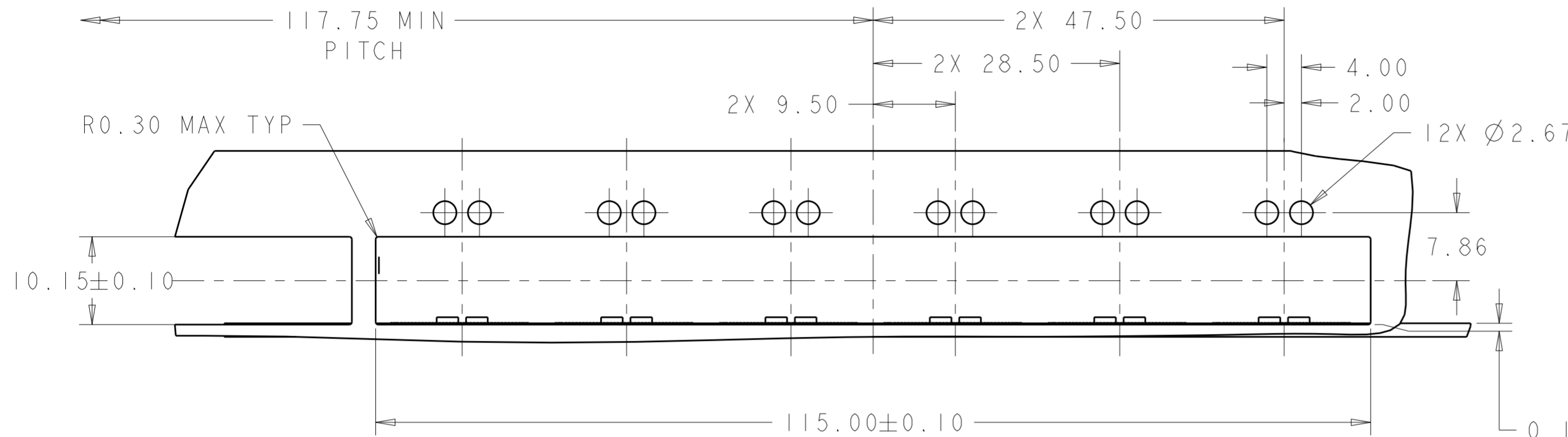


SCALE 2:1

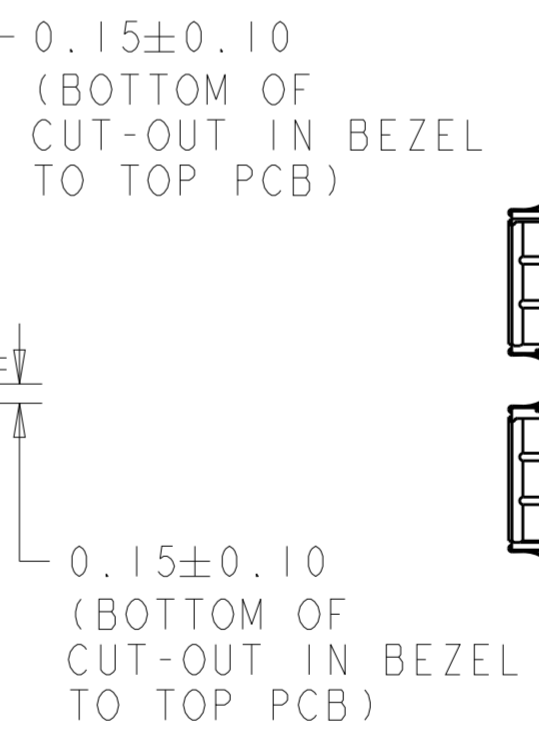
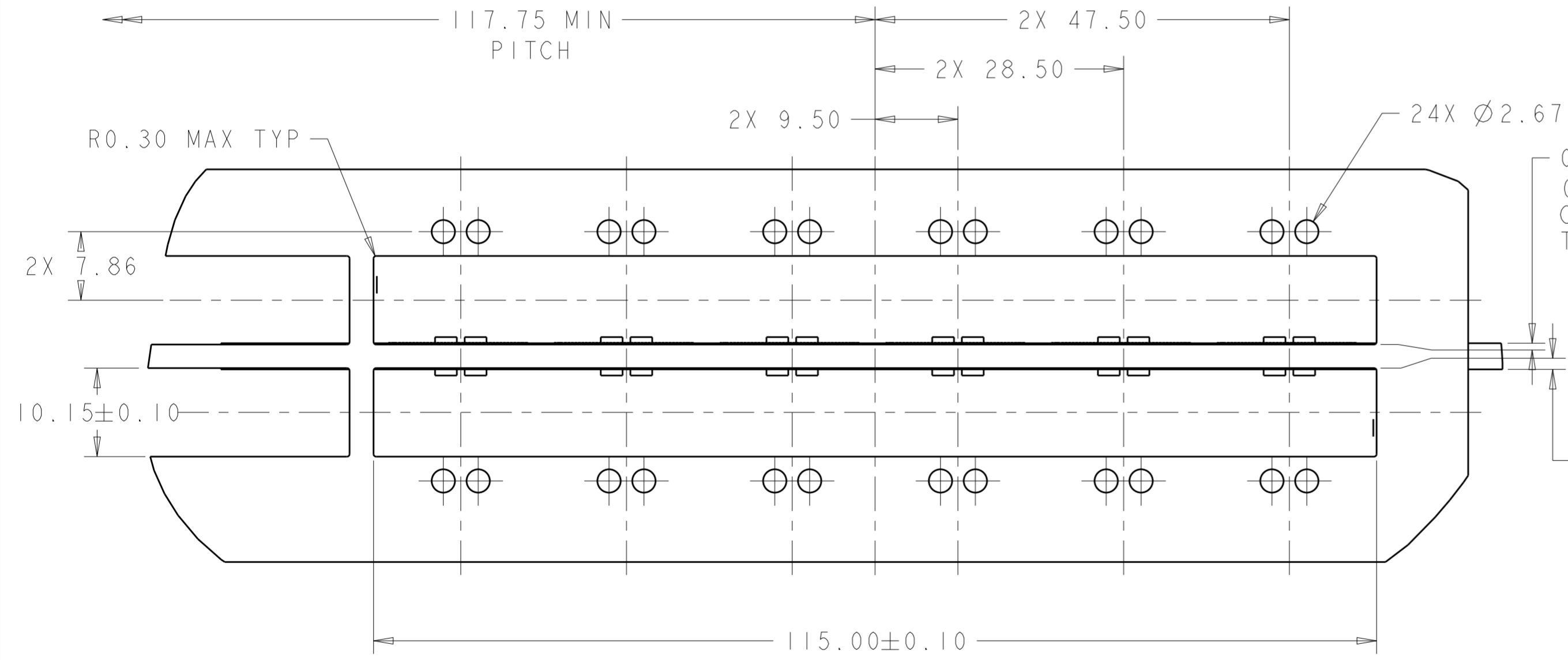


THIS DRAWING IS A CONTROLLED DOCUMENT.		DWN 14FEB2020 JASON YANG		
		CHK 08NOV2016 SEAN HAN		
DIMENSIONS:	TOLERANCES UNLESS OTHERWISE SPECIFIED:	APVD -	NAME	
mm	0 PLC ± 1 PLC ±0.5 2 PLC ±0.13 3 PLC ±0.013 4 PLC ±0.0001 ANGLES ± FINISH	PRODUCT SPEC 108-19428	RECEPTACLE ASSEMBLY THRU BEZEL 1X6, QSFP28 EMI SPRINGS	
MATERIAL	SEE NOTES	APPLICATION SPEC 114-32023	SIZE	CAGE CODE
TBD		WEIGHT	A200779	C-2170734
		CUSTOMER DRAWING	SCALE 3:1	SHEET 3 OF 10
				REV C

REVISIONS				
P	LTR	DESCRIPTION	DATE	APVD
-	-	SEE SHEET 1	-	-



SINGLE SIDE MOUNTING  
SCALE 2:1

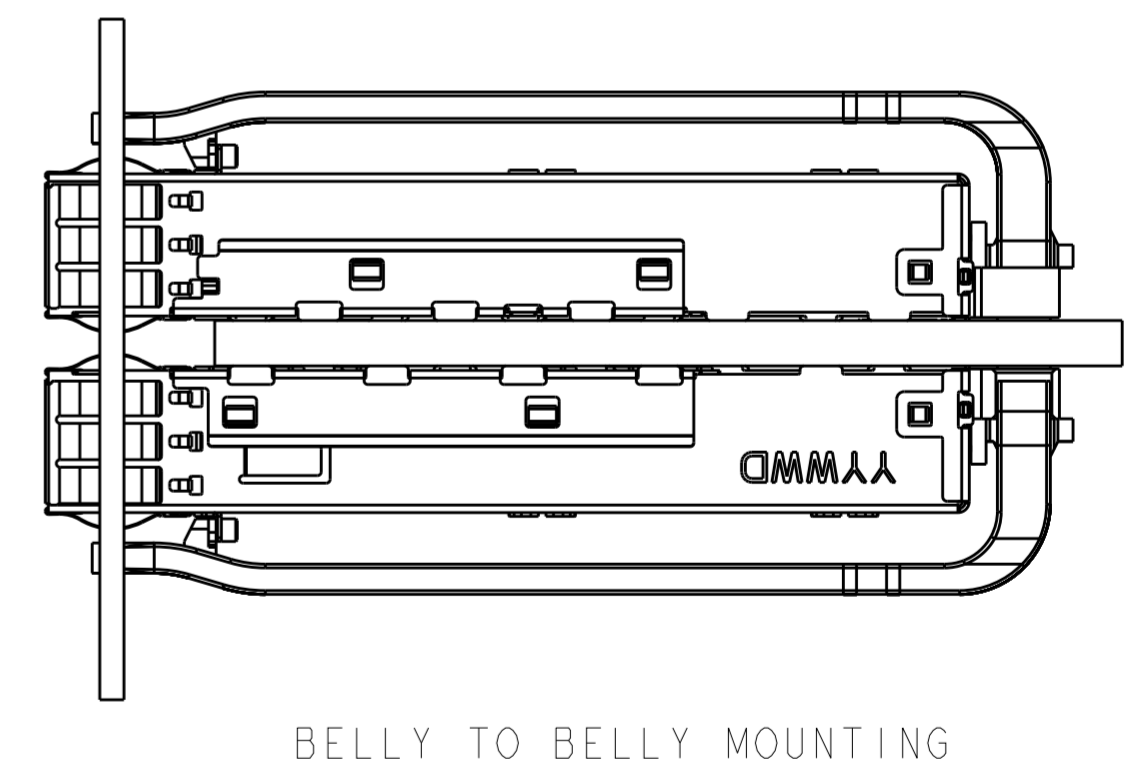
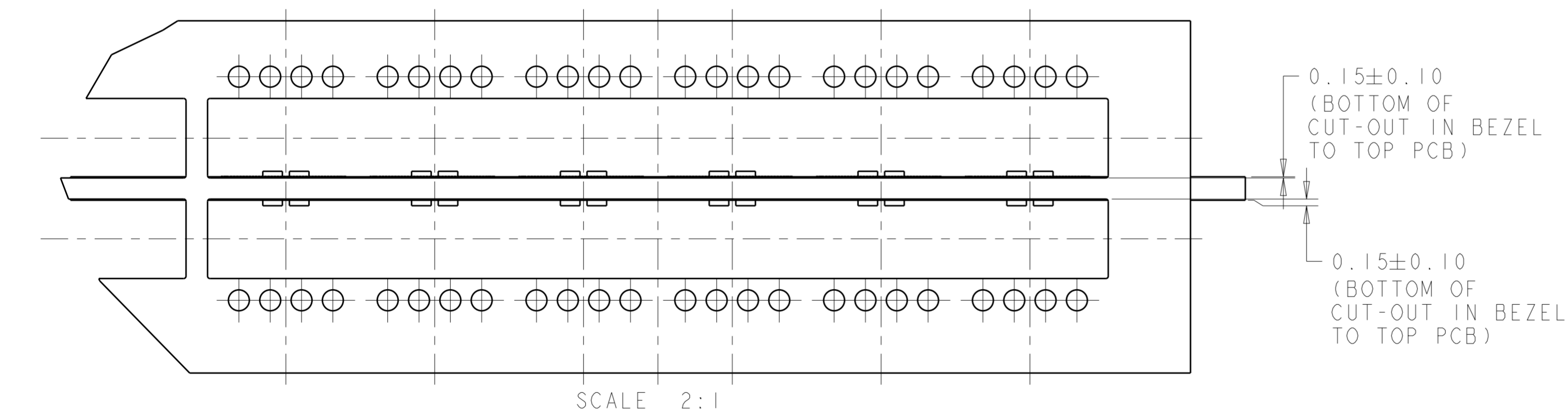
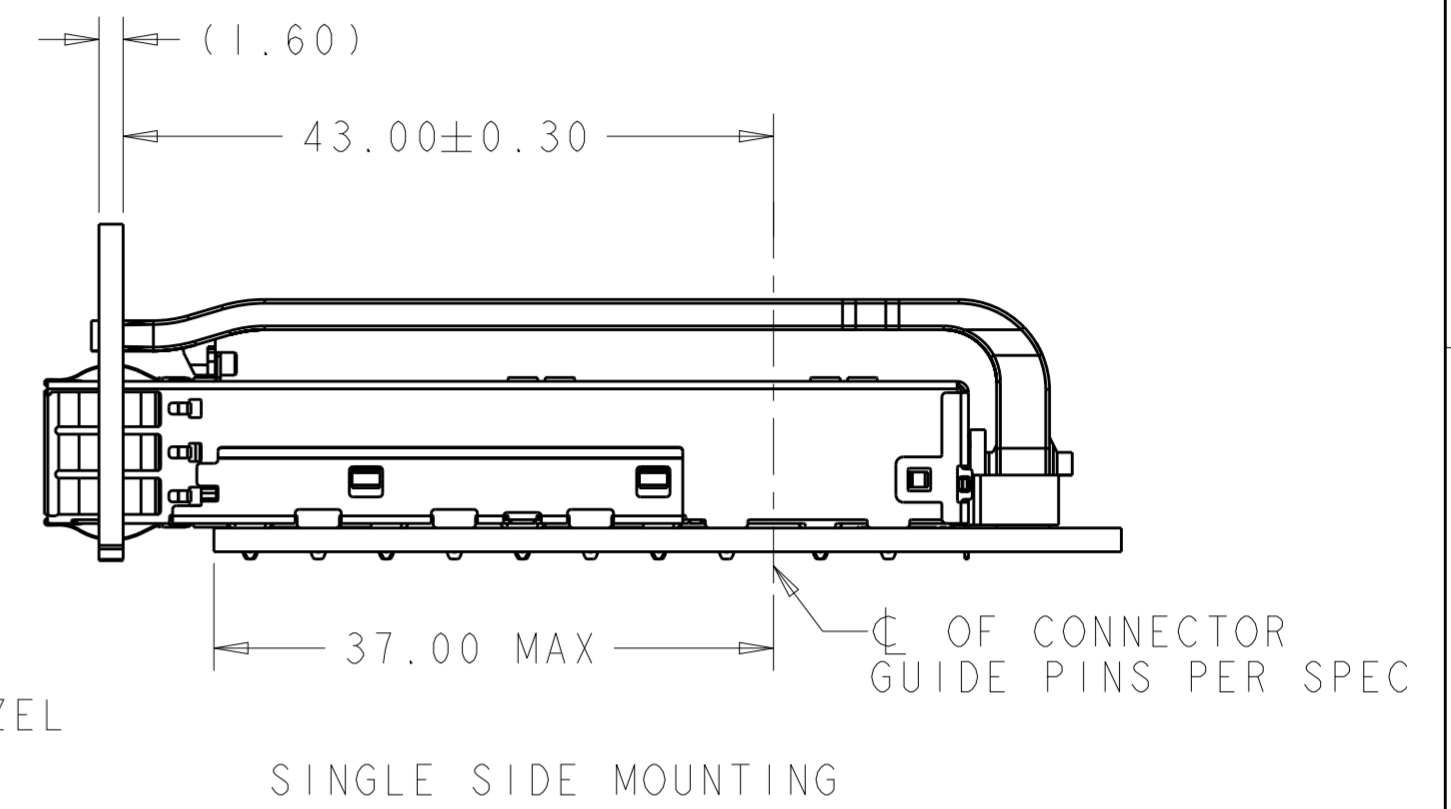
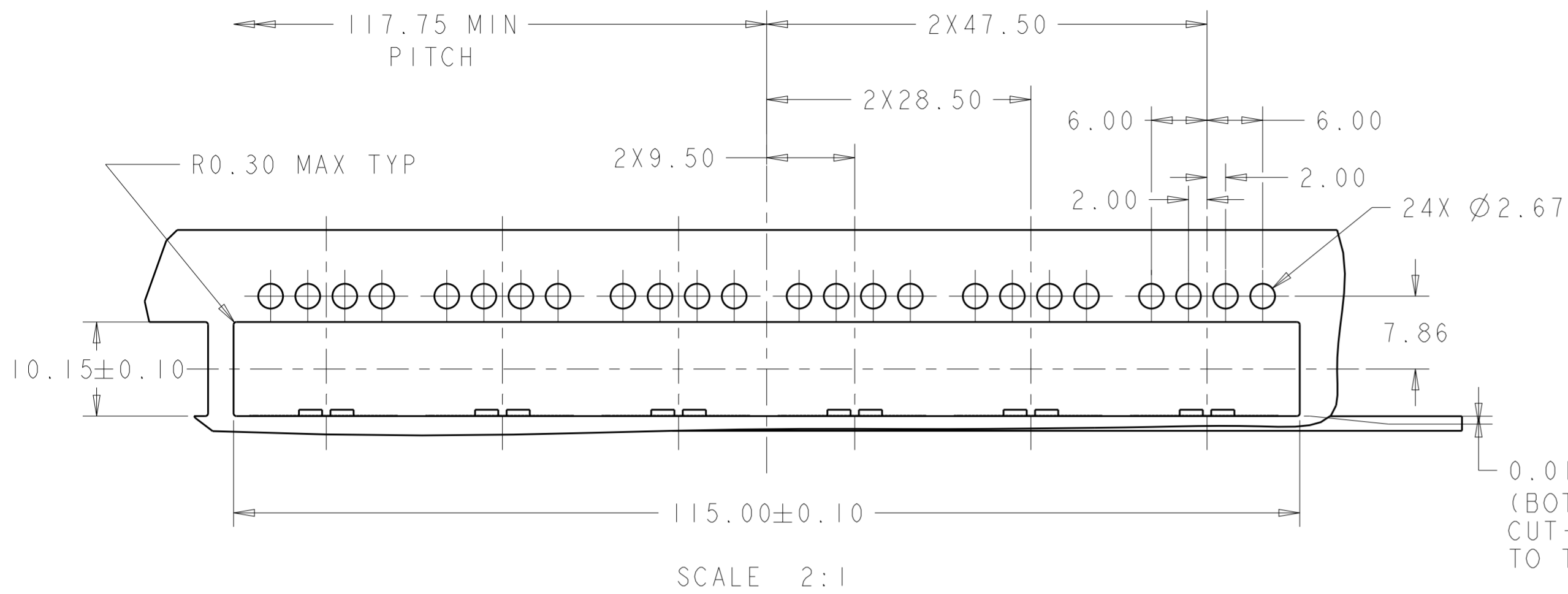


BELLY TO BELLY MOUNTING  
SCALE 2:1

2170734-1 AND 2170734-2

THIS DRAWING IS A CONTROLLED DOCUMENT.		DWN JASON YANG 14FEB2020	TE Connectivity	
		CHK SEAN HAN 08NOV2016		
DIMENSIONS:	TOLERANCES UNLESS OTHERWISE SPECIFIED:	APVD	NAME	
mm	0 PLC ± 1 PLC ±0.5 2 PLC ±0.13 3 PLC ±0.013 4 PLC ±0.0001 ANGLES ± FINISH	PRODUCT SPEC 108-19428	RECEPTACLE ASSEMBLY THRU BEZEL 1X6, QSFP28 EMI SPRINGS	
MATERIAL	SEE NOTES	APPLICATION SPEC 114-32023	SIZE	RESTRICTED TO
TBD		WEIGHT	A200779	
		CUSTOMER DRAWING	C-2170734	
		SCALE	SHEET	REV
		3:1	4 OF 10	C

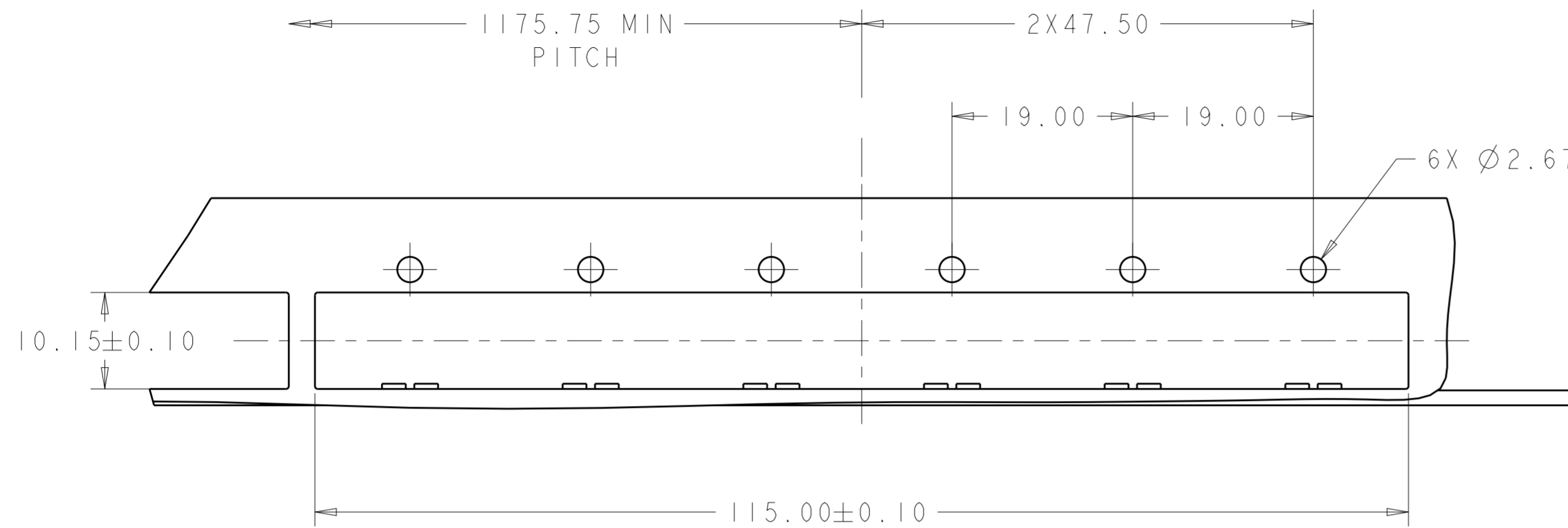
REVISIONS				
P	LTR	DESCRIPTION	DATE	APVD
-	-	SEE SHEET 1	-	-



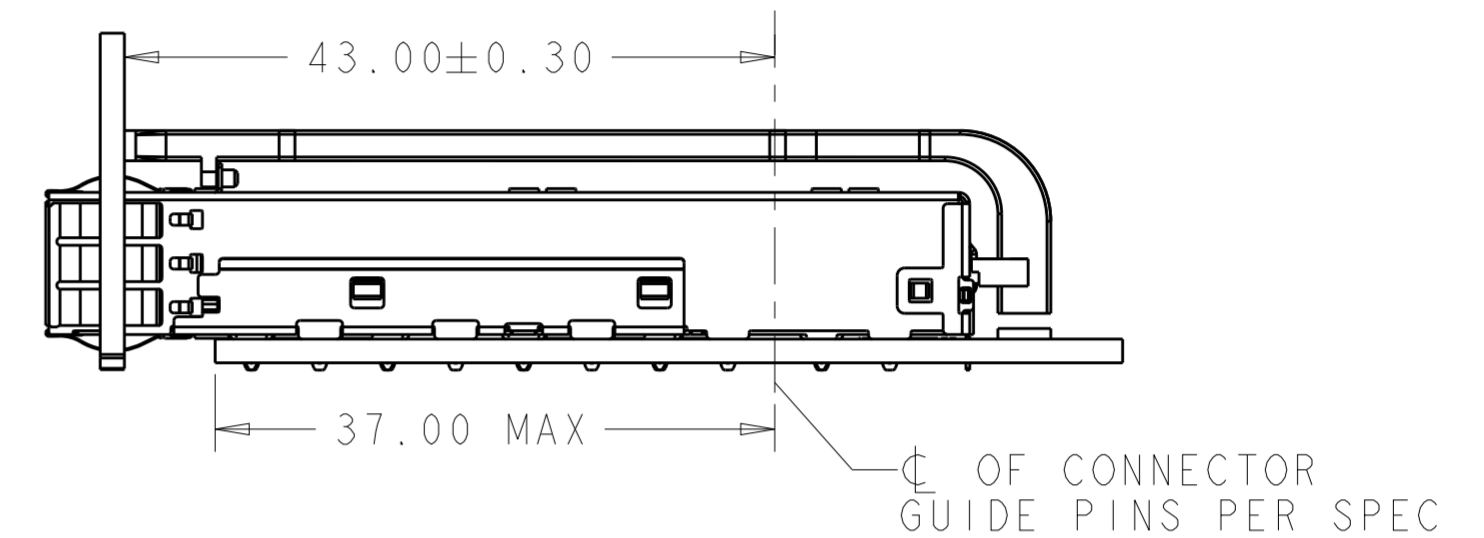
2170734-3 AND 2170734-4

THIS DRAWING IS A CONTROLLED DOCUMENT.		DWN 14FEB2020 JASON YANG	TE Connectivity	
		CHK 08NOV2016 SEAN HAN		
DIMENSIONS:	TOLERANCES UNLESS OTHERWISE SPECIFIED:	APVD -	NAME	RESTRICTED TO
mm	0 PLC ± 1 PLC ±0.5 2 PLC ±0.13 3 PLC ±0.013 4 PLC ±0.0001 ANGLES ± FINISH	PRODUCT SPEC 108-19428	RECEPTACLE ASSEMBLY THRU BEZEL 1X6, QSFP28 EMI SPRINGS	
MATERIAL	SEE NOTES	APPLICATION SPEC 114-32023	SIZE	
TBD		WEIGHT	A200779	
		CUSTOMER DRAWING	C-2170734	
			SCALE 3:1	SHEET 5 OF 10
				REV C

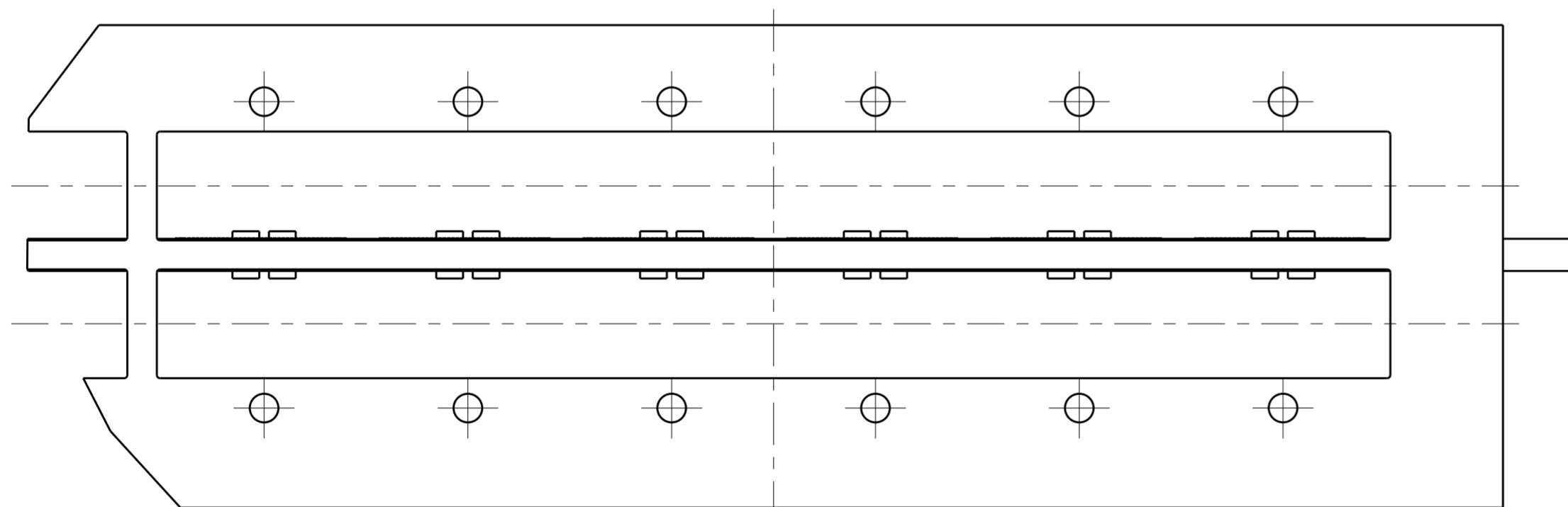
REVISIONS				
P	LTR	DESCRIPTION	DATE	APVD
-		SEE SHEET 1	-	-



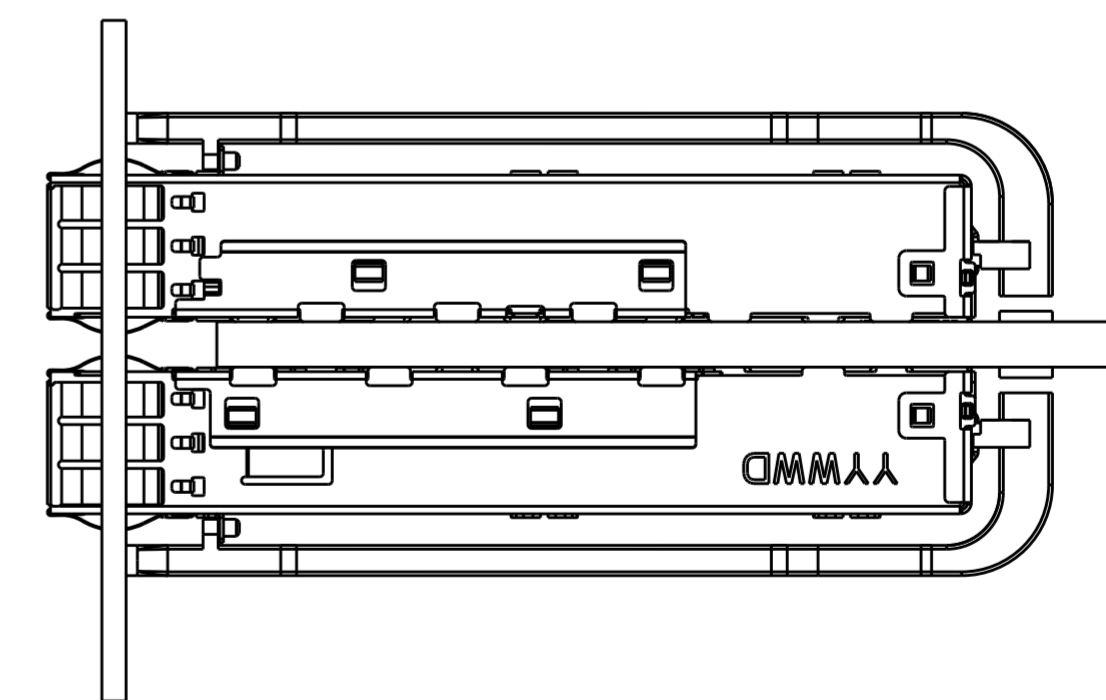
SCALE 2:1



SINGLE SIDE MOUNTING



SCALE 2:1

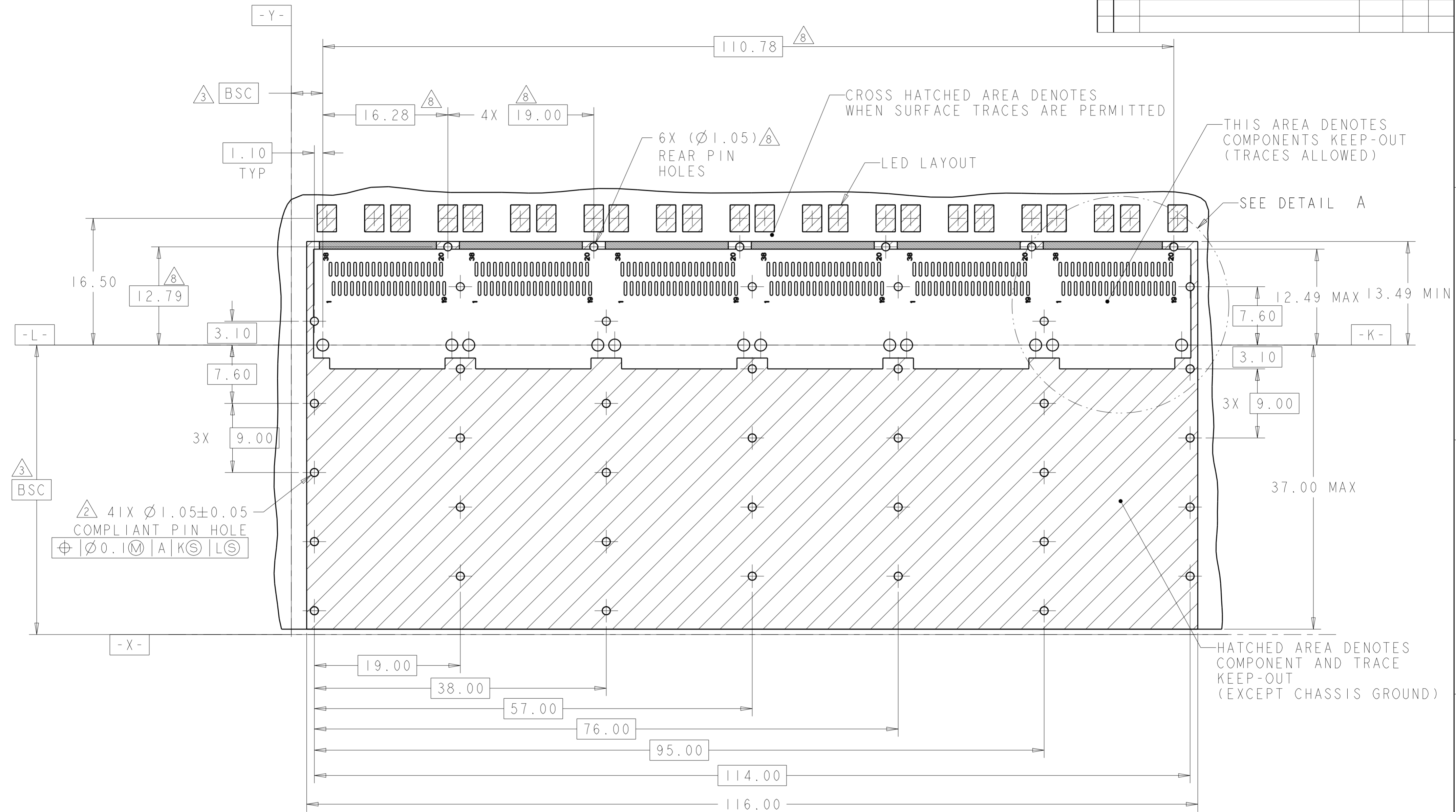


BELLY TO BELLY MOUNTING

2170734-5 AND 2170734-6

THIS DRAWING IS A CONTROLLED DOCUMENT.		DWN 14FEB2020 JASON YANG	TE Connectivity	
		CHK 08NOV2016 SEAN HAN		
DIMENSIONS:	TOLERANCES UNLESS OTHERWISE SPECIFIED:	APVD -	NAME RECEPTACLE ASSEMBLY THRU BEZEL 1X6, QSFP28 EMI SPRINGS	
mm	0 PLC ± 1 PLC ±0.5 2 PLC ±0.13 3 PLC ±0.013 4 PLC ±0.0001 ANGLES ± FINISH	PRODUCT SPEC 108-19428	SIZE CAGE CODE DRAWING NO RESTRICTED TO	
MATERIAL TBD	SEE NOTES	APPLICATION SPEC 114-32023	A200779 C-2170734	
		WEIGHT -	SCALE 3:1 SHEET 6 OF 10 REV C	
		CUSTOMER DRAWING		

REVISIONS				
P	LTR	DESCRIPTION	DATE	APVD
-	-	SEE SHEET 1	-	-



RECOMMENDED PCB LAYOUT  
SINGLE TYPE  
PCB TOLERANCE: ±0.05  
SCALE 3:1

THIS DRAWING IS A CONTROLLED DOCUMENT.

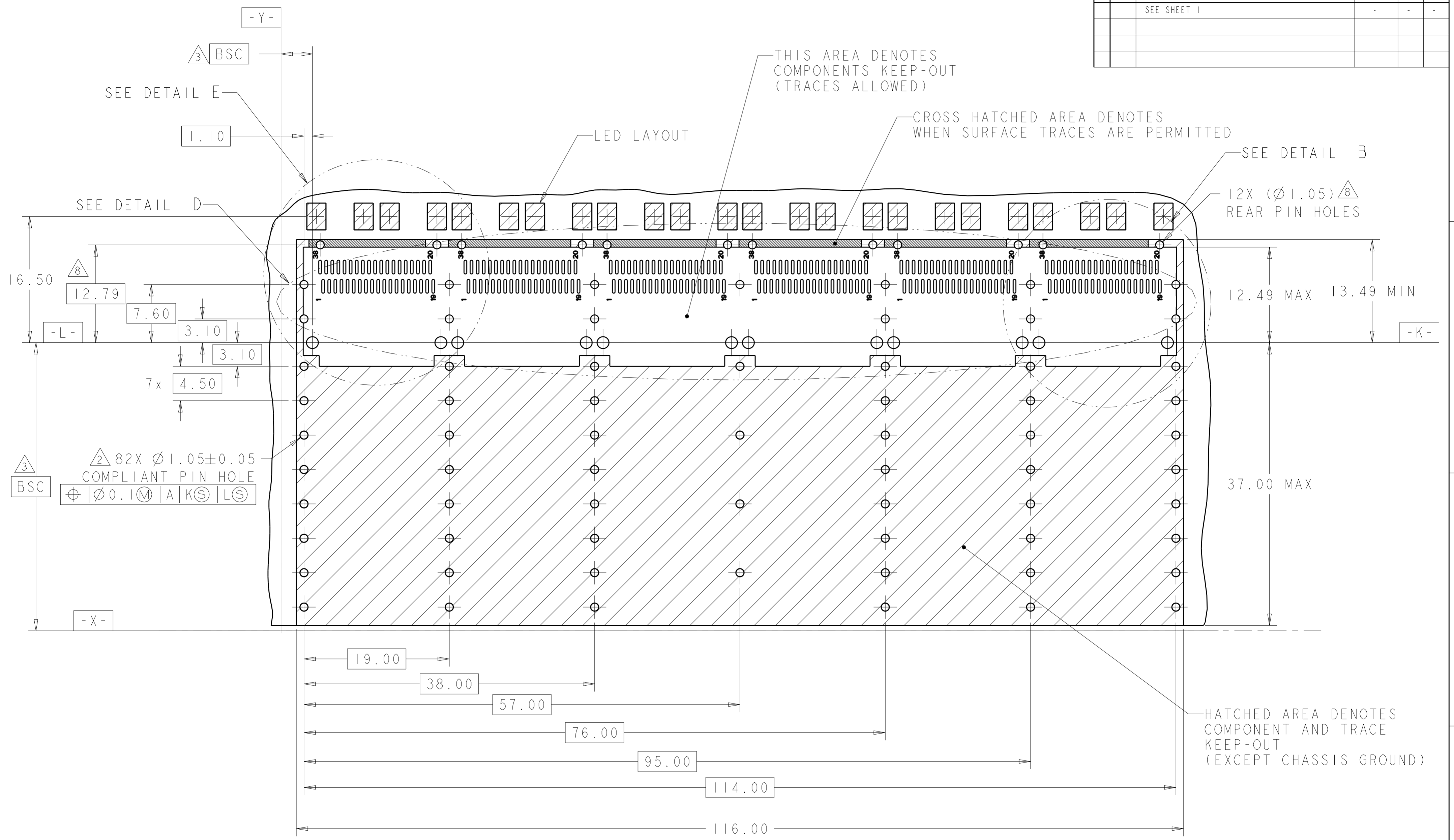
DIMENSIONS: mm		TOLERANCES UNLESS OTHERWISE SPECIFIED:	
		0 PLC	±
MATERIAL TBD		1 PLC	±0.5
		2 PLC	±0.13
		3 PLC	±0.013
		4 PLC	±0.0001
		ANGLES	±
		FINISH	SEE NOTES

DWN	JASON YANG	14FEB2020
CHK	SEAN HAN	08NOV2016
APVD	-	-
PRODUCT SPEC	108-19428	
APPLICATION SPEC	114-32023	
WEIGHT	-	
CUSTOMER DRAWING		

		TE Connectivity	
		NAME RECEPTACLE ASSEMBLY THRU BEZEL 1X6, QSFP28 EMI SPRINGS	
SIZE	CAGE CODE	DRAWING NO	RESTRICTED TO
A2	00779	C-2170734	
SCALE 3:1		SHEET 7 OF 10	REV C

© 2020 TE Connectivity. All Rights Reserved.

REVISIONS				
P	LTR	DESCRIPTION	DATE	APVD
-	-	SEE SHEET 1	-	-

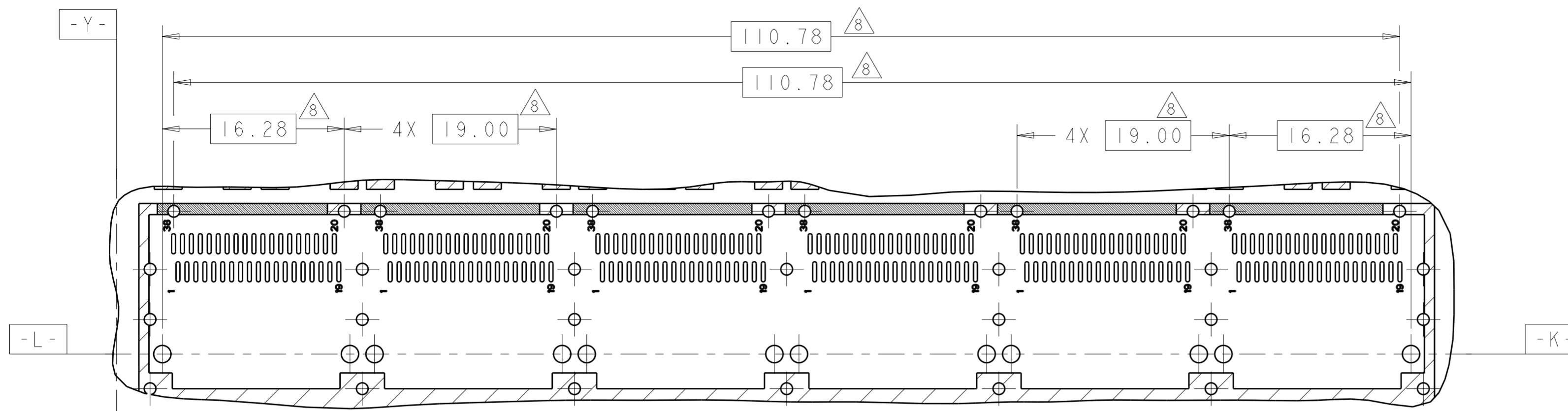


RECOMMENDED PCB LAYOUT  
 BELLY TO BELLY TYPE  
 PCB TOLERANCE: ±0.05  
 SCALE 3:1

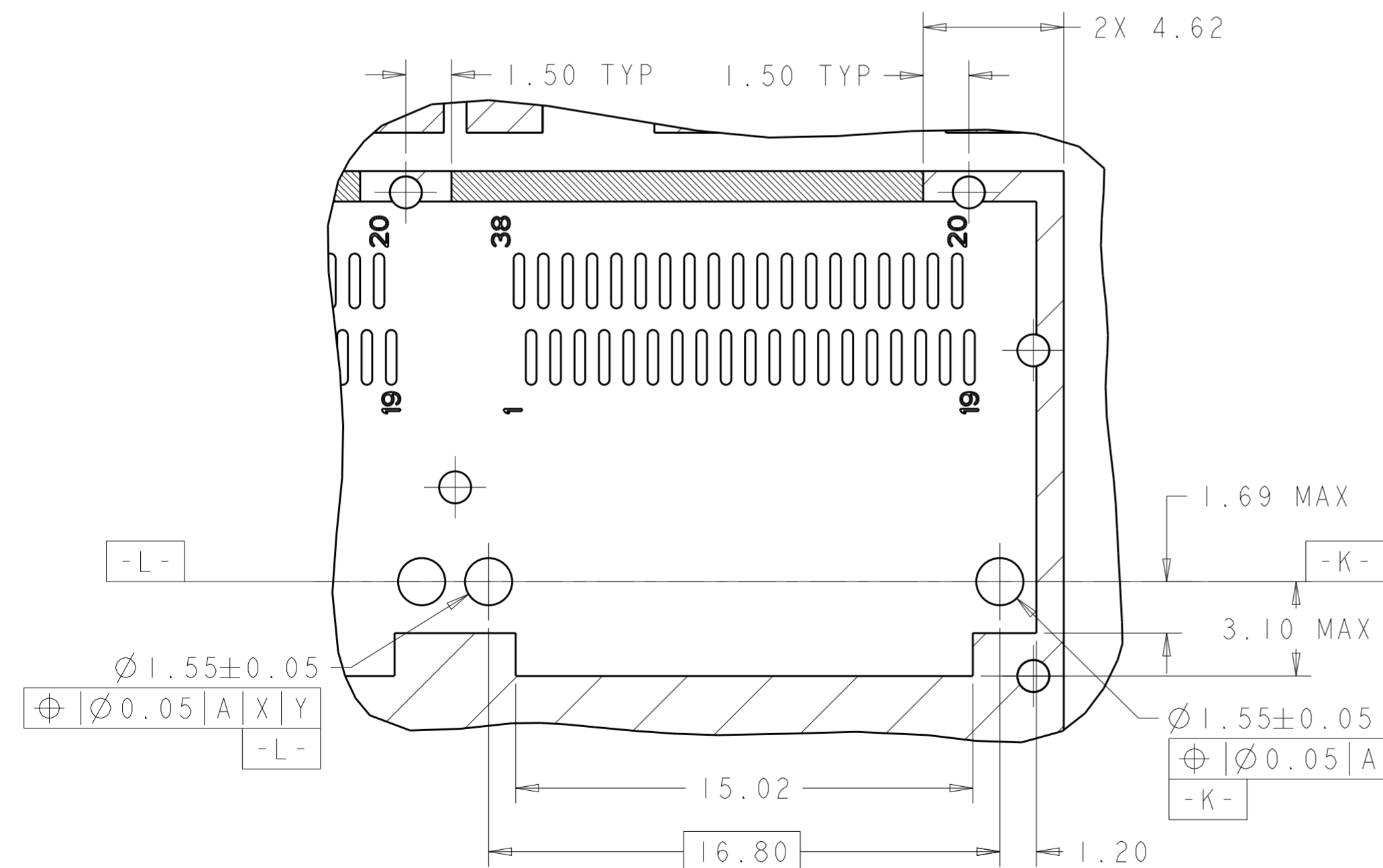
THIS DRAWING IS A CONTROLLED DOCUMENT.		DWN JASON YANG 14FEB2020	TE Connectivity	
		CHK SEAN HAN 08NOV2016		
DIMENSIONS: mm		TOLERANCES UNLESS OTHERWISE SPECIFIED:		NAME RECEPTACLE ASSEMBLY THRU BEZEL 1X6, QSFP28 EMI SPRINGS
		0 PLC ±	1 PLC ±0.5	PRODUCT SPEC 108-19428
MATERIAL TBD		2 PLC ±0.13	3 PLC ±0.013	APPLICATION SPEC 114-32023
		4 PLC ±0.0001	ANGLES ±	FINISH SEE NOTES
		APVD -		WEIGHT -
		CUSTOMER DRAWING		SCALE 3:1 SHEET 8 OF 10 REV C



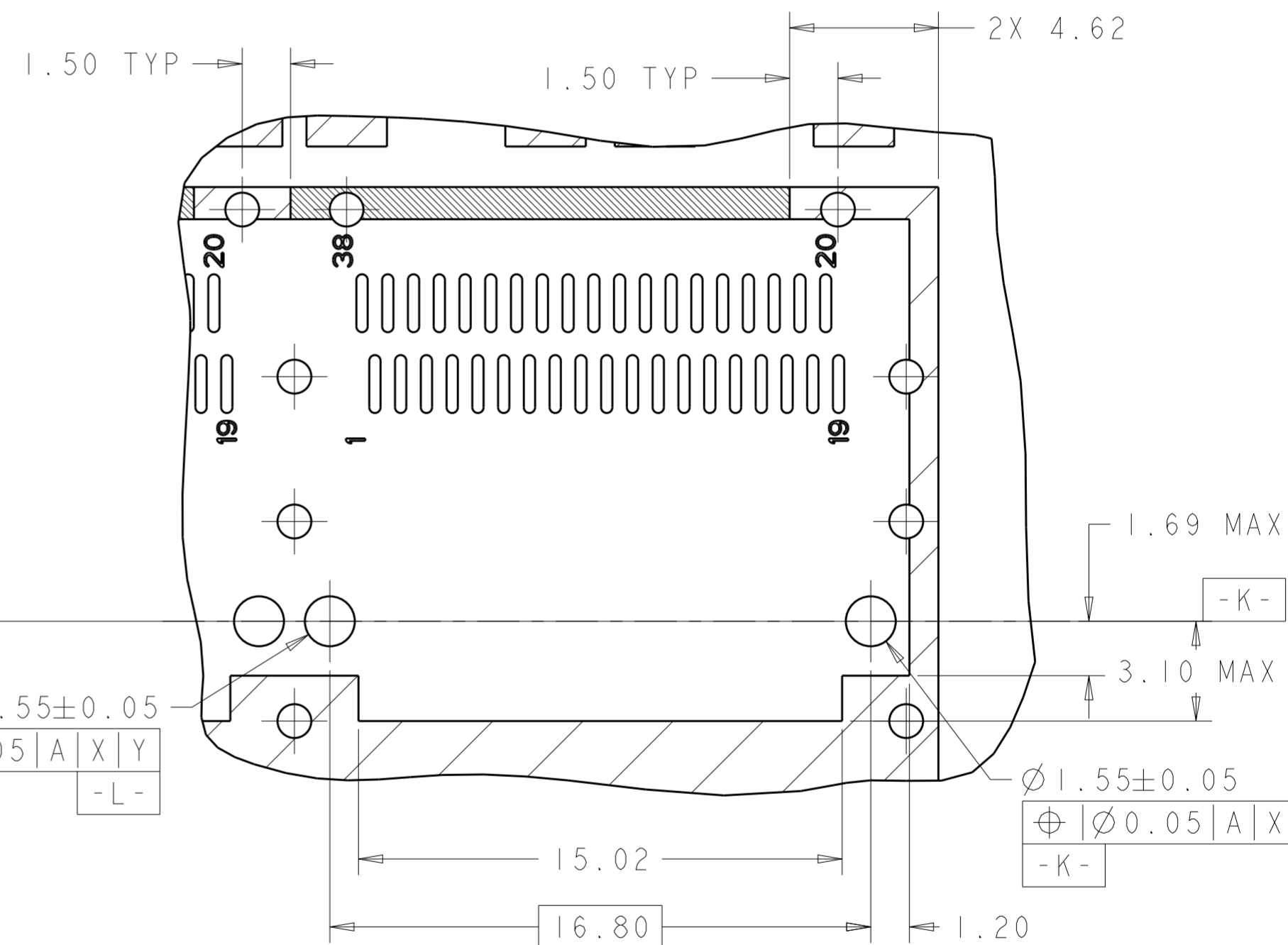
REVISIONS				
P	LTR	DESCRIPTION	DATE	APVD
-	-	SEE SHEET 1	-	-



DETAIL D  
SCALE 3:1



DETAIL A  
SCALE 6:1



DETAIL B  
SCALE 6:1

THIS DRAWING IS A CONTROLLED DOCUMENT.		DWN: 14FEB2020 JASON YANG	TE Connectivity
		CHK: 08NOV2016 SEAN HAN	
DIMENSIONS:	TOLERANCES UNLESS OTHERWISE SPECIFIED:	APVD: -	NAME: RECEPTACLE ASSEMBLY THRU BEZEL 1X6, QSFP28 EMI SPRINGS
mm	0 PLC ± 1 PLC ±0.5 2 PLC ±0.13 3 PLC ±0.013 4 PLC ±0.0001 ANGLES ±	PRODUCT SPEC: 108-19428	SIZE: A2
	FINISH: SEE NOTES	APPLICATION SPEC: 114-32023	CAGE CODE: 00779
MATERIAL: TBD		WEIGHT: -	DRAWING NO: C-2170734
		CUSTOMER DRAWING	RESTRICTED TO: -
SCALE: 3:1			SHEET: 9 OF 10
			REV: C