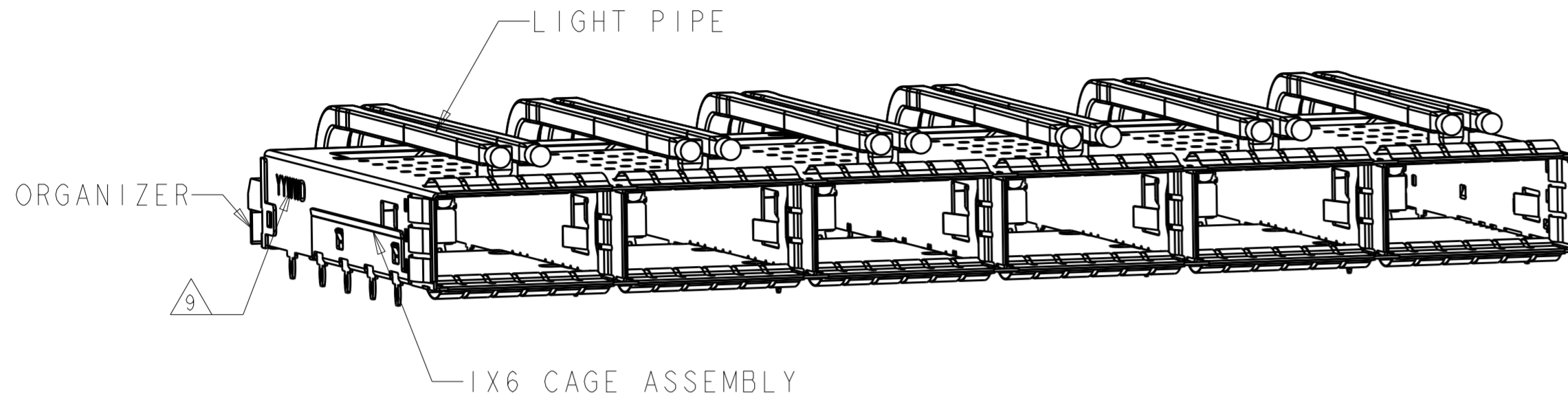
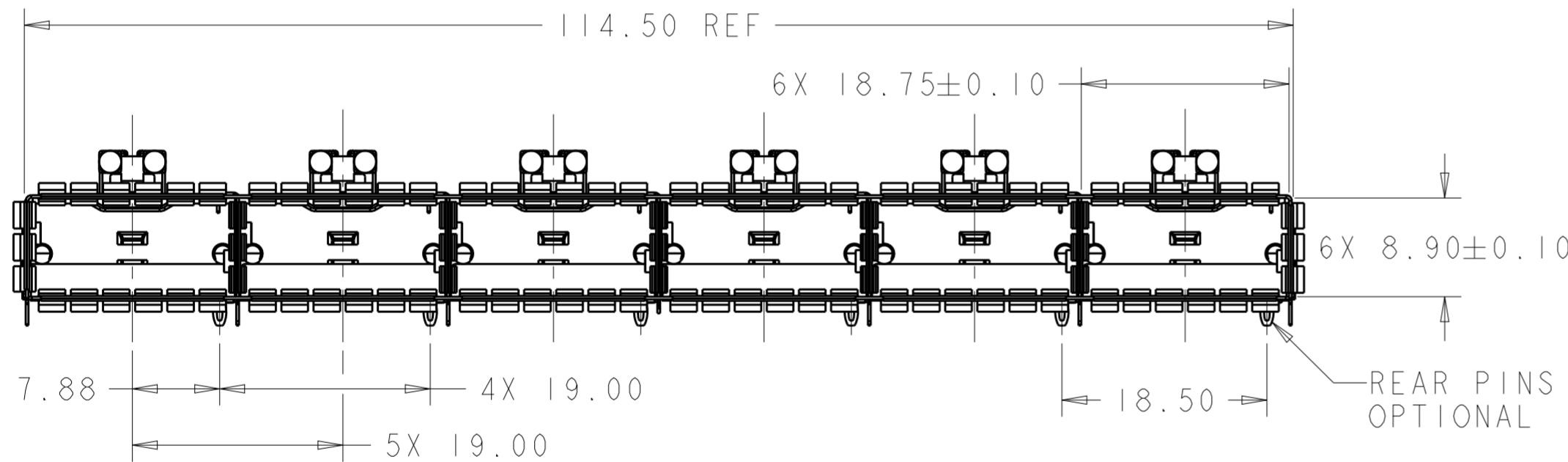


P	LTR	DESCRIPTION	DATE	DWN	APVD
A		RELEASE	08NOV2016	JY	SH
B		REVISED PER ECO-20-003007	3MAR2020	JW	SH
BI		REVISED PER ECO-20-012842	11SEP2020	JW	SH
C		REVISED PER ECO-20-015173	12OCT2020	JY	SH

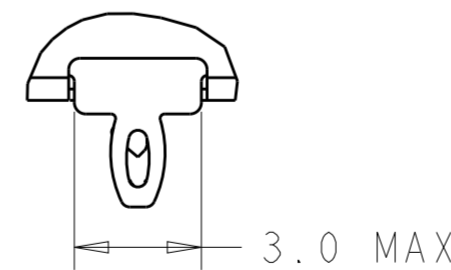
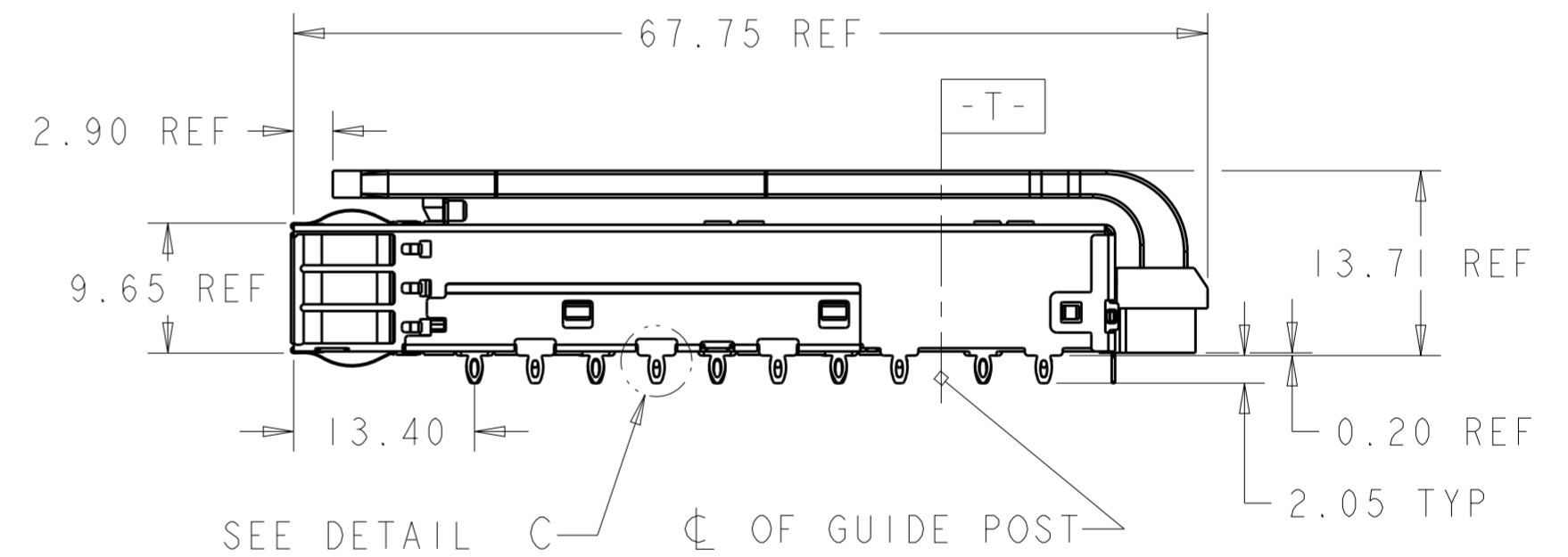


2170734-1 AS SHOWN  
SCALE 2:1

- COMPONENTS  
CAGE ASSEMBLY: NICKEL-SILVER ALLOY  
EMI SPRING: COPPER ALLOY/NICKEL PLATE  
LIGHT PIPE: CLEAR POLYCARBONATE WITH UL 94 V-0  
ORGANIZER: POLYESTER WITH UL 94 V-0
- REFERENCE APPLICATION SPECIFICATION 114-32023 FOR RECOMMENDED DRILL HOLE DIAMETER AND PLATING THICKNESS
- DATUM AND BASIC DIMENSION ESTABLISHED BY CUSTOMER
- MATES WITH QSFP28 MSA COMPATIBLE TRANSCEIVER.
- LIGHT PIPES ARE SHIPPED ASSEMBLED ON CAGE
- MINIMUM PC BOARD THICKNESS: SINGLE SIDED: 1.57 MIN  
DOUBLE SIDED: 2.20 MIN
- DATUM **-A-** IS TOP SURFACE OF THE HOST BOARD.
- THESE HOLES ARE OPTIONAL WHEN THE REAR PINS ARE REMOVED.
- DATE CODE (YYWWD) MARKED APPROXIMATELY AS SHOWN.



SCALE 2:1



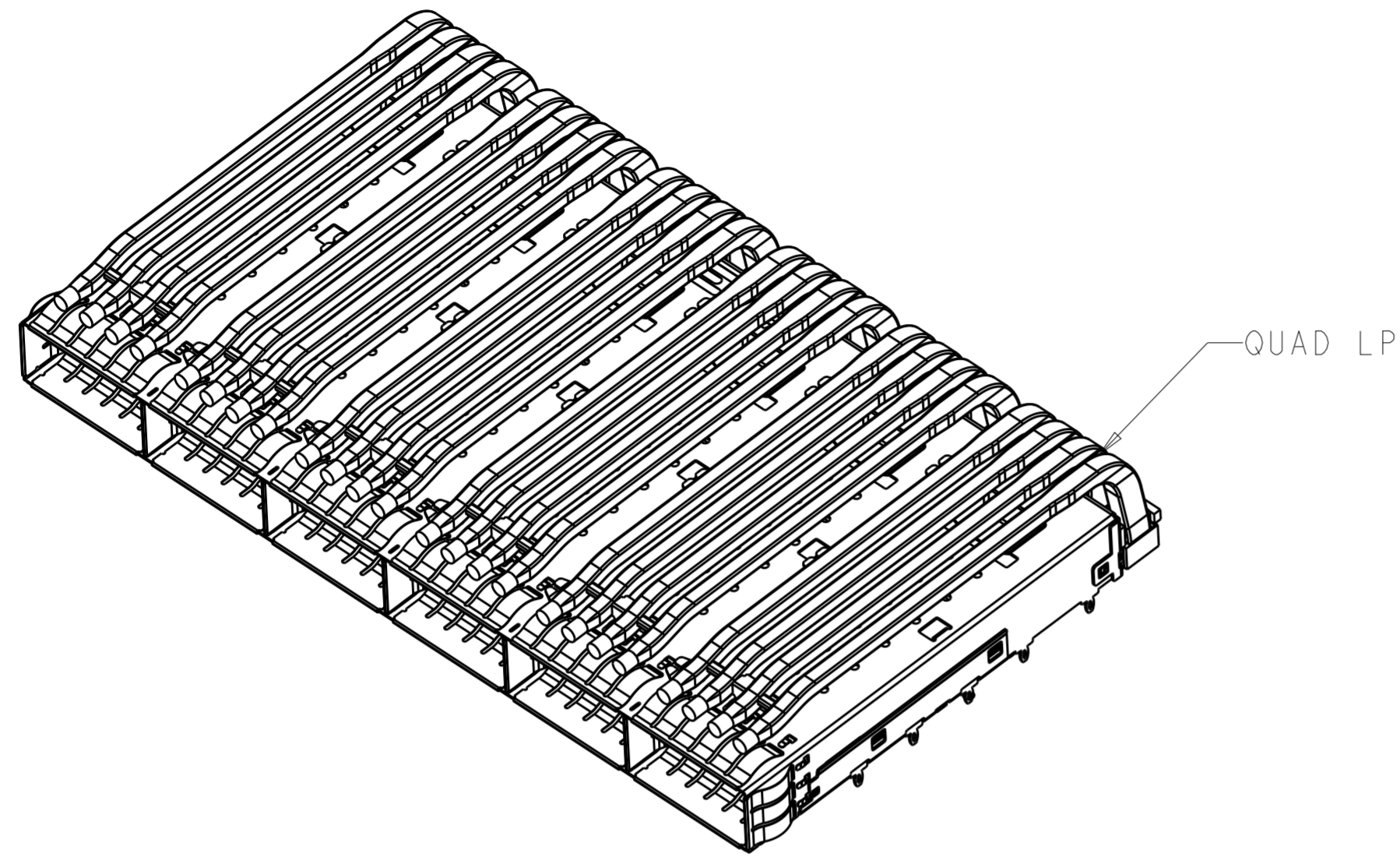
DETAIL C  
SCALE 6:1

SINGLE	WITHOUT	2170734-6
SINGLE	WITH	2170734-5
QUAD	WITHOUT	2170734-4
QUAD	WITH	2170734-3
DUAL	WITHOUT	2170734-2
DUAL	WITH	2170734-1
LIGHT PIPE OPTIONS	REAR PINS OPTIONAL	PART NUMBER

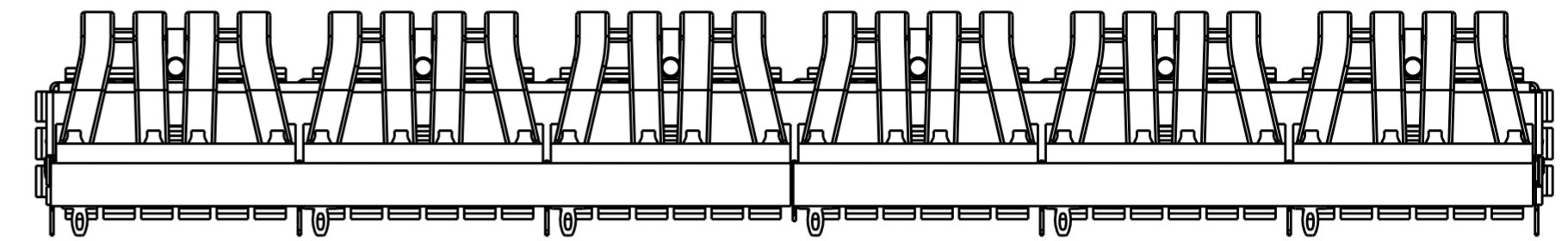
THIS DRAWING IS A CONTROLLED DOCUMENT.		DWN 14FEB2020 JASON YANG	TE Connectivity	
		CHK 08NOV2016 SEAN HAN		
DIMENSIONS:	TOLERANCES UNLESS OTHERWISE SPECIFIED:	APVD	NAME	
mm	0 PLC ± 1 PLC ±0.5 2 PLC ±0.13 3 PLC ±0.013 4 PLC ±0.0001 ANGLES ± FINISH	PRODUCT SPEC 108-19428	RECEPTACLE ASSEMBLY THRU BEZEL IX6, QSFP28 EMI SPRINGS	
MATERIAL	SEE NOTES	APPLICATION SPEC 114-32023	SIZE	CAGE CODE
TBD		WEIGHT	A2	00779
		CUSTOMER DRAWING	DRAWING NO	RESTRICTED TO
			C-2170734	
			SCALE 3:1	SHEET 1 OF 10 REV C

2170734-3 WITH REAR PINS  
 2170734-4 WITHOUT REAR PINS

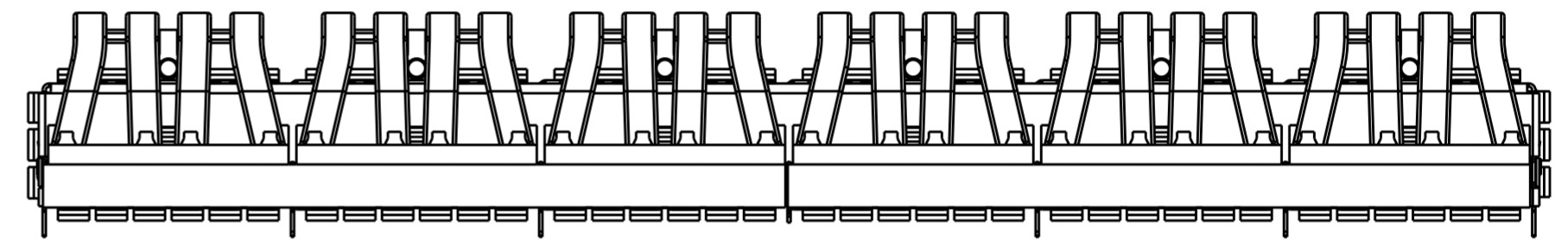
REVISIONS				
P	LTR	DESCRIPTION	DATE	APVD
-		SEE SHEET 1		



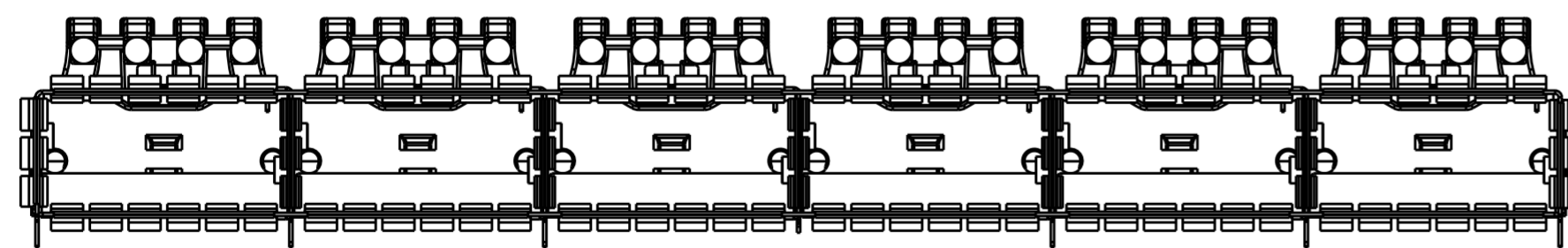
2170734-3/4  
 UNSPECIFIED DIMENSIONS ARE SAME AS 2170734-1  
 SCALE 3:2



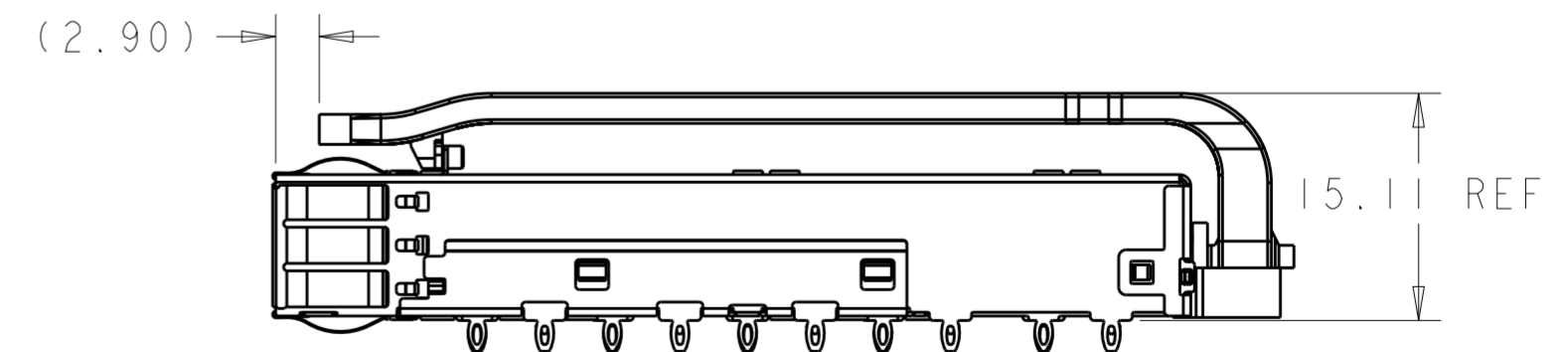
BACK VIEW  
 2170734-3 WITH REAR PINS  
 SCALE 2:1



BACK VIEW  
 2170734-4 WITHOUT REAR PINS  
 SCALE 2:1



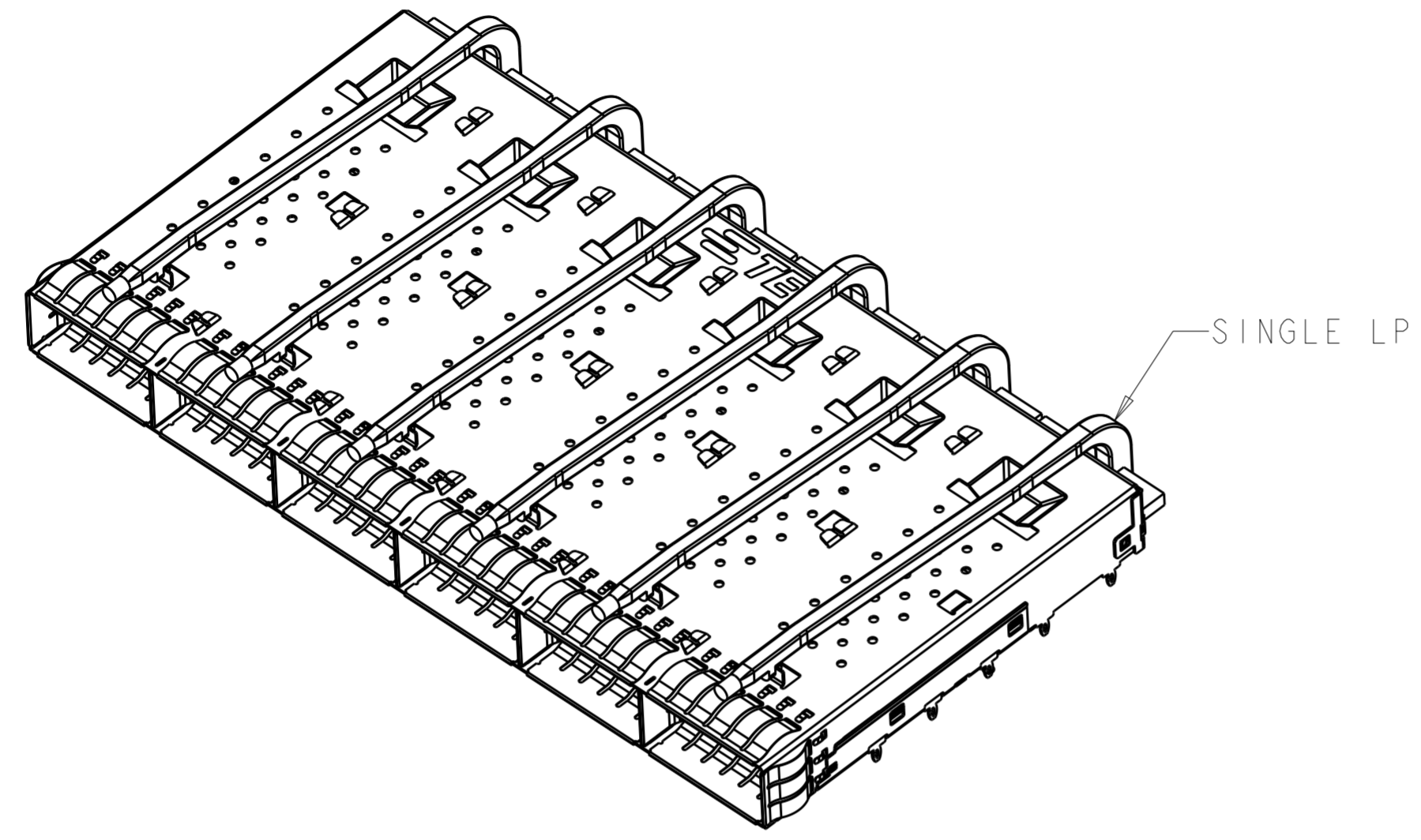
SCALE 2:1



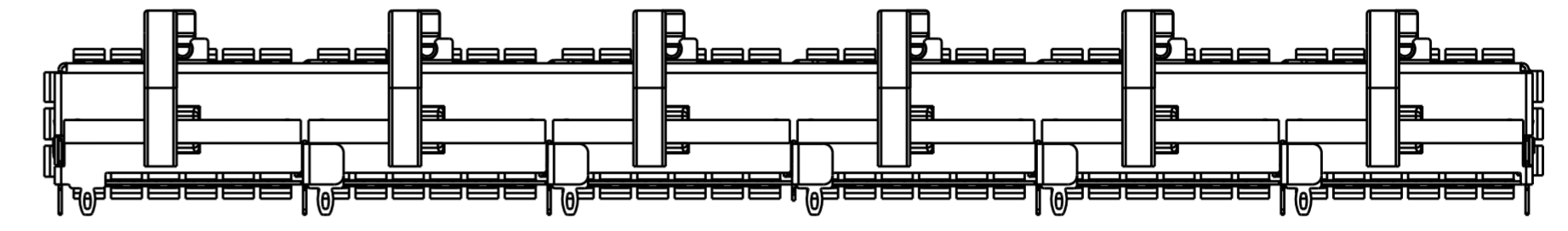
THIS DRAWING IS A CONTROLLED DOCUMENT.		DWN 14FEB2020 JASON YANG		
		CHK 08NOV2016 SEAN HAN		
DIMENSIONS:	TOLERANCES UNLESS OTHERWISE SPECIFIED:	APVD -	NAME	RECEPTACLE ASSEMBLY
mm	0 PLC ±	PRODUCT SPEC	THRU BEZEL 1X6, QSFP28	EMI SPRINGS
	1 PLC ±0.5	108-19428	SIZE	A200779
	2 PLC ±0.13	APPLICATION SPEC	CAGE CODE	C-2170734
	3 PLC ±0.013	114-32023	DRAWING NO	
	4 PLC ±0.0001	WEIGHT	RESTRICTED TO	
	ANGLES ±	CUSTOMER DRAWING	SCALE	3:1
	FINISH		SHEET	2 OF 10
MATERIAL	SEE NOTES		REV	C
-				

2170734-5 WITH REAR PINS  
2170734-6 WITHOUT REAR PINS

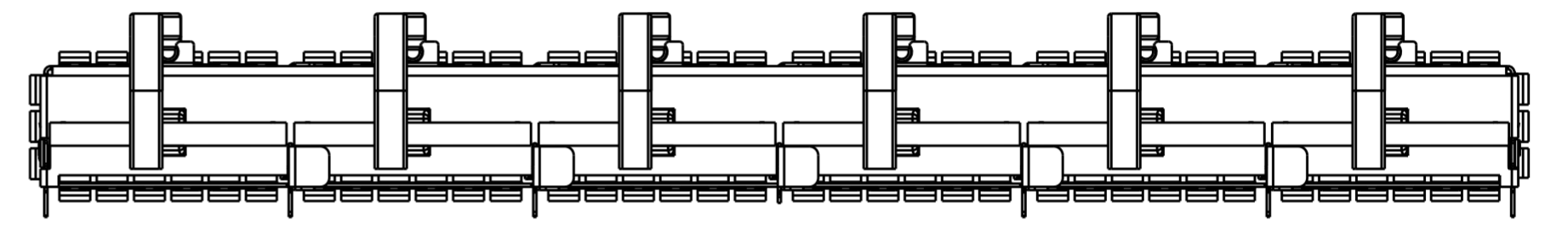
REVISIONS				
P	LTR	DESCRIPTION	DATE	APVD
-		SEE SHEET 1	-	-



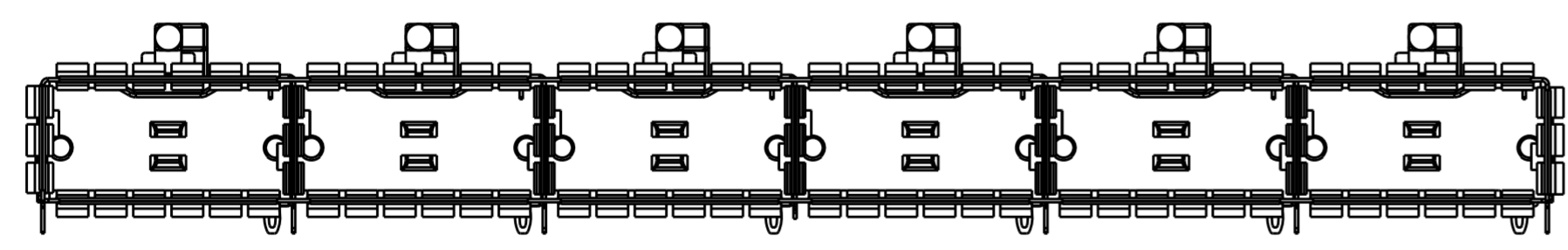
2170734-5/6  
UNSPECIFIED DIMENSIONS ARE SAME AS 2170734-1  
SCALE 3:2



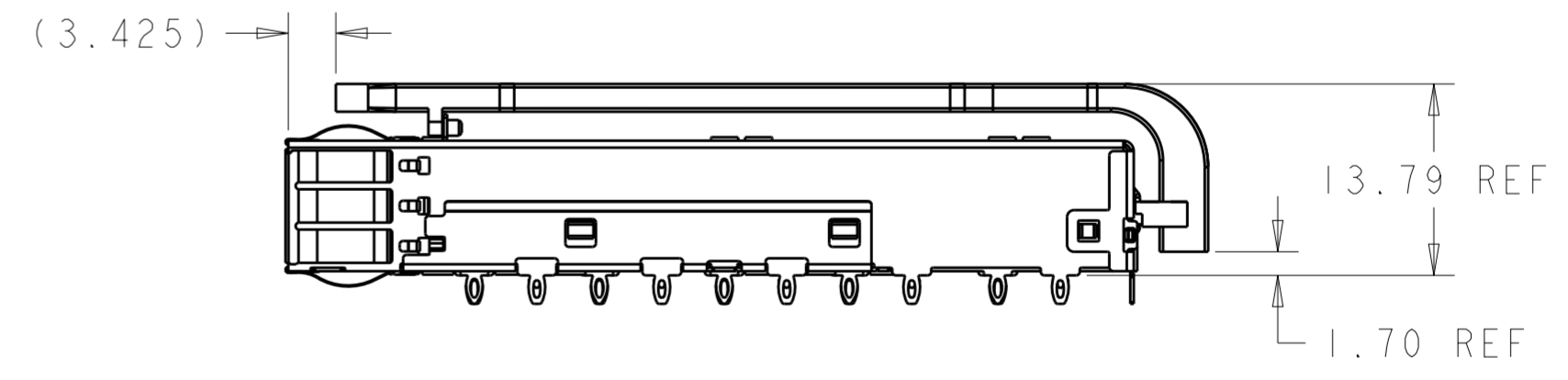
BACK VIEW  
2170734-5 WITH REAR PINS  
SCALE 2:1



BACK VIEW  
2170734-6 WITHOUT REAR PINS  
SCALE 2:1

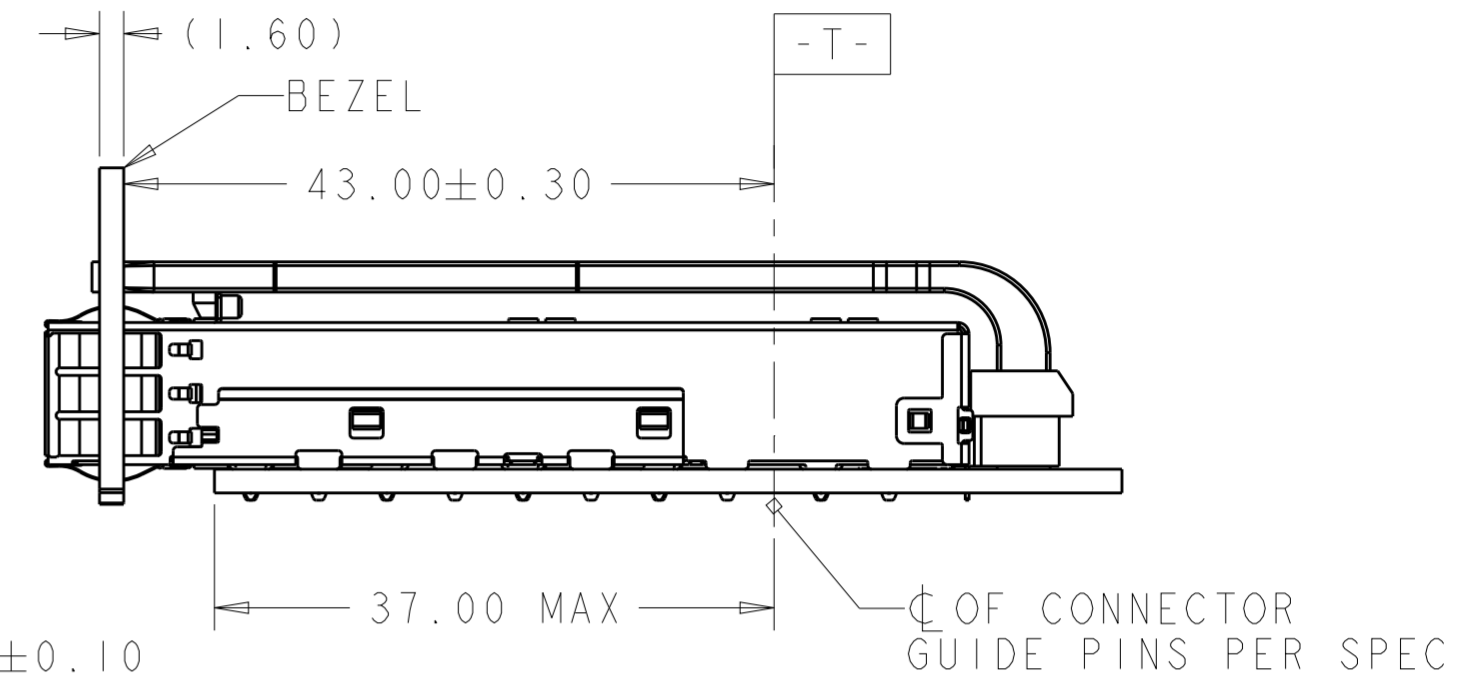
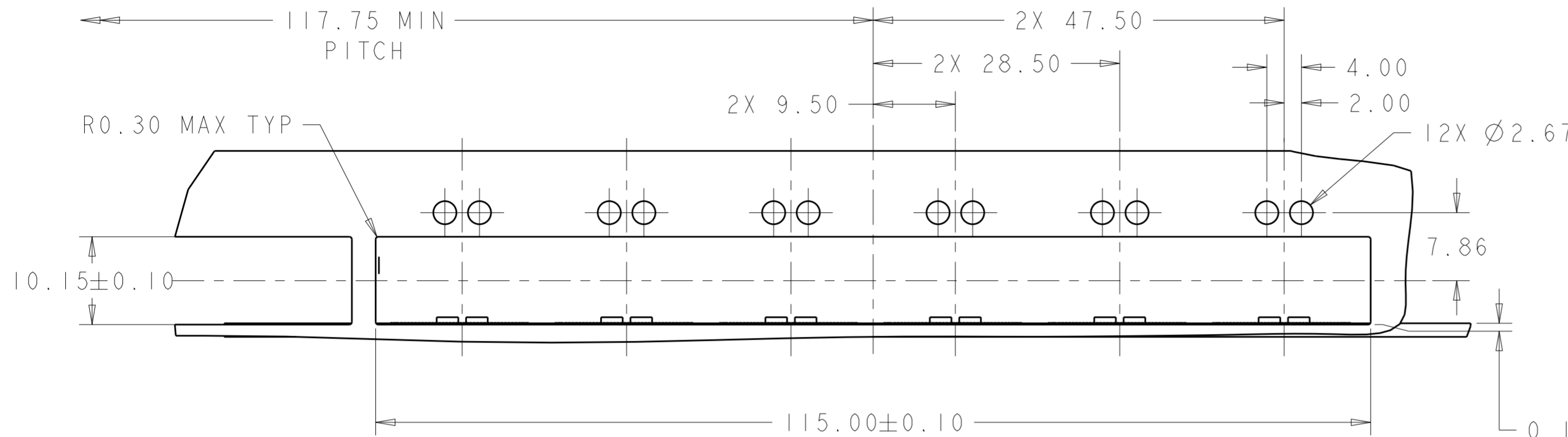


SCALE 2:1

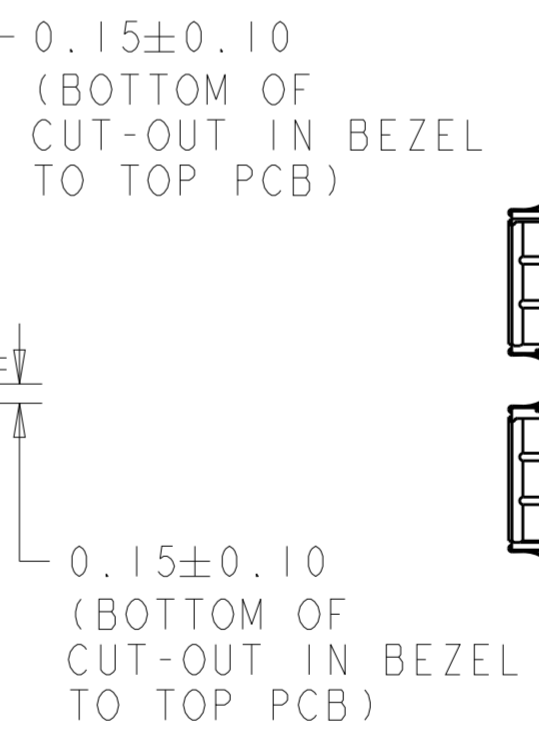
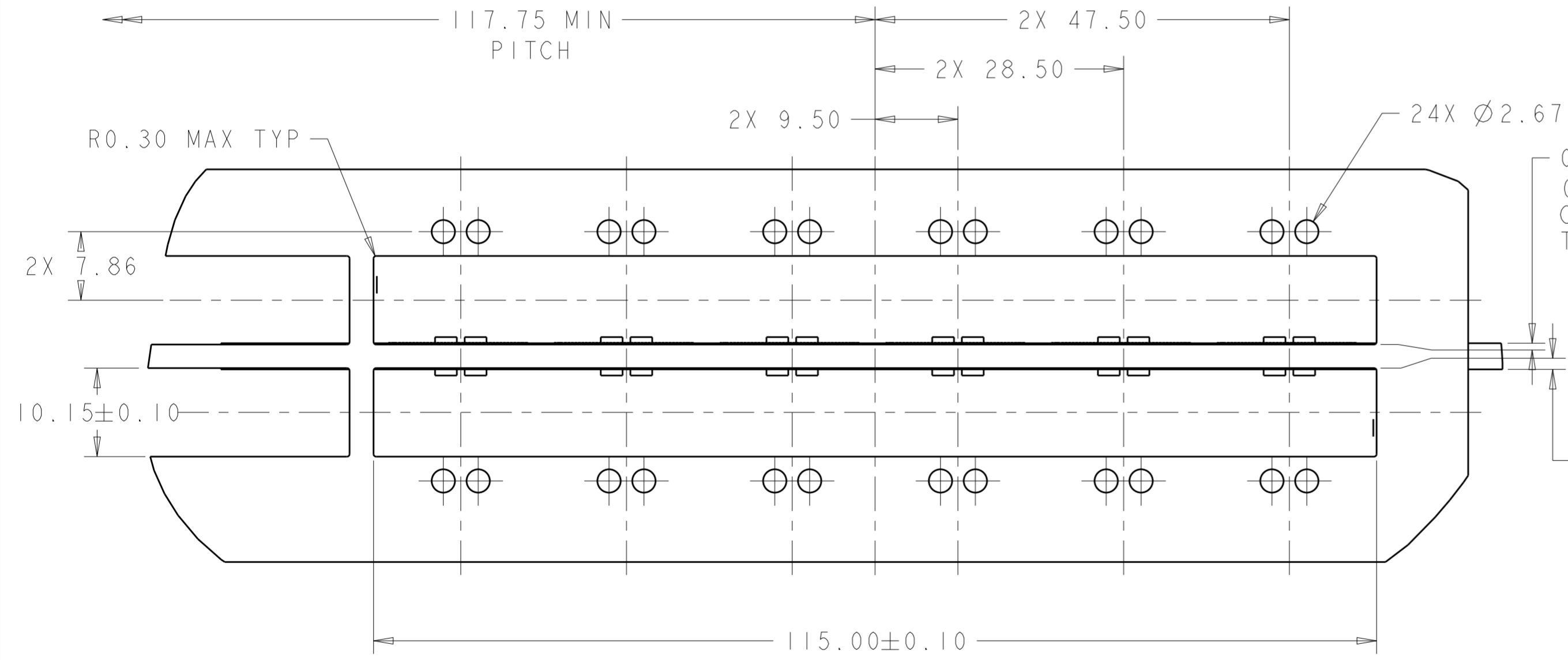


THIS DRAWING IS A CONTROLLED DOCUMENT.		DWN 14FEB2020 JASON YANG	<b>TE</b> TE Connectivity	
		CHK 08NOV2016 SEAN HAN		
DIMENSIONS:	TOLERANCES UNLESS OTHERWISE SPECIFIED:	APVD -	NAME RECEPTACLE ASSEMBLY THRU BEZEL 1X6, QSFP28 EMI SPRINGS	
mm	0 PLC ± 1 PLC ±0.5 2 PLC ±0.13 3 PLC ±0.013 4 PLC ±0.0001 ANGLES ± FINISH	PRODUCT SPEC 108-19428	SIZE A200779	CAGE CODE C-2170734
MATERIAL TBD	SEE NOTES	APPLICATION SPEC 114-32023	DRAWING NO	
		WEIGHT -	RESTRICTED TO	
		CUSTOMER DRAWING	SCALE 3:1	SHEET 3 OF 10 REV C

REVISIONS				
P	LTR	DESCRIPTION	DATE	APVD
-		SEE SHEET 1	-	-



SINGLE SIDE MOUNTING  
SCALE 2:1

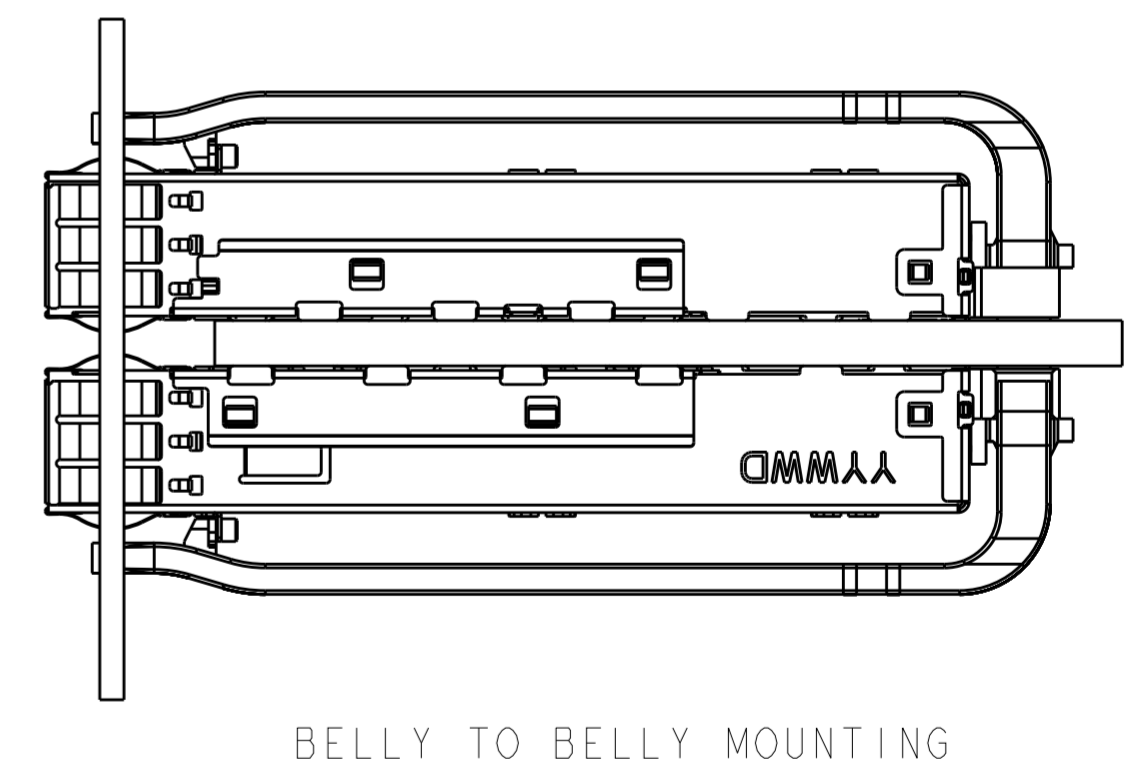
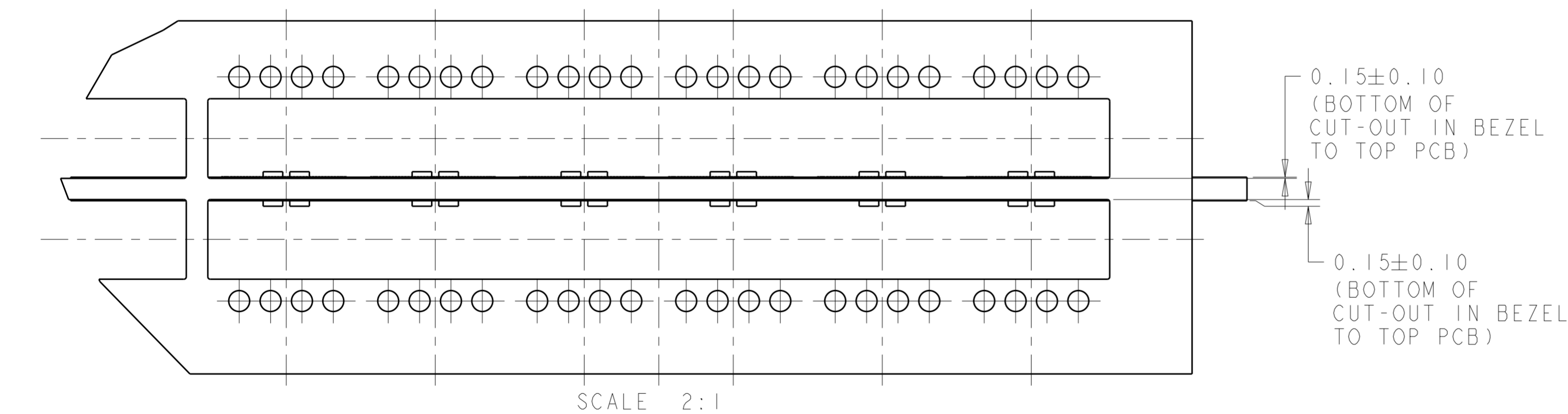
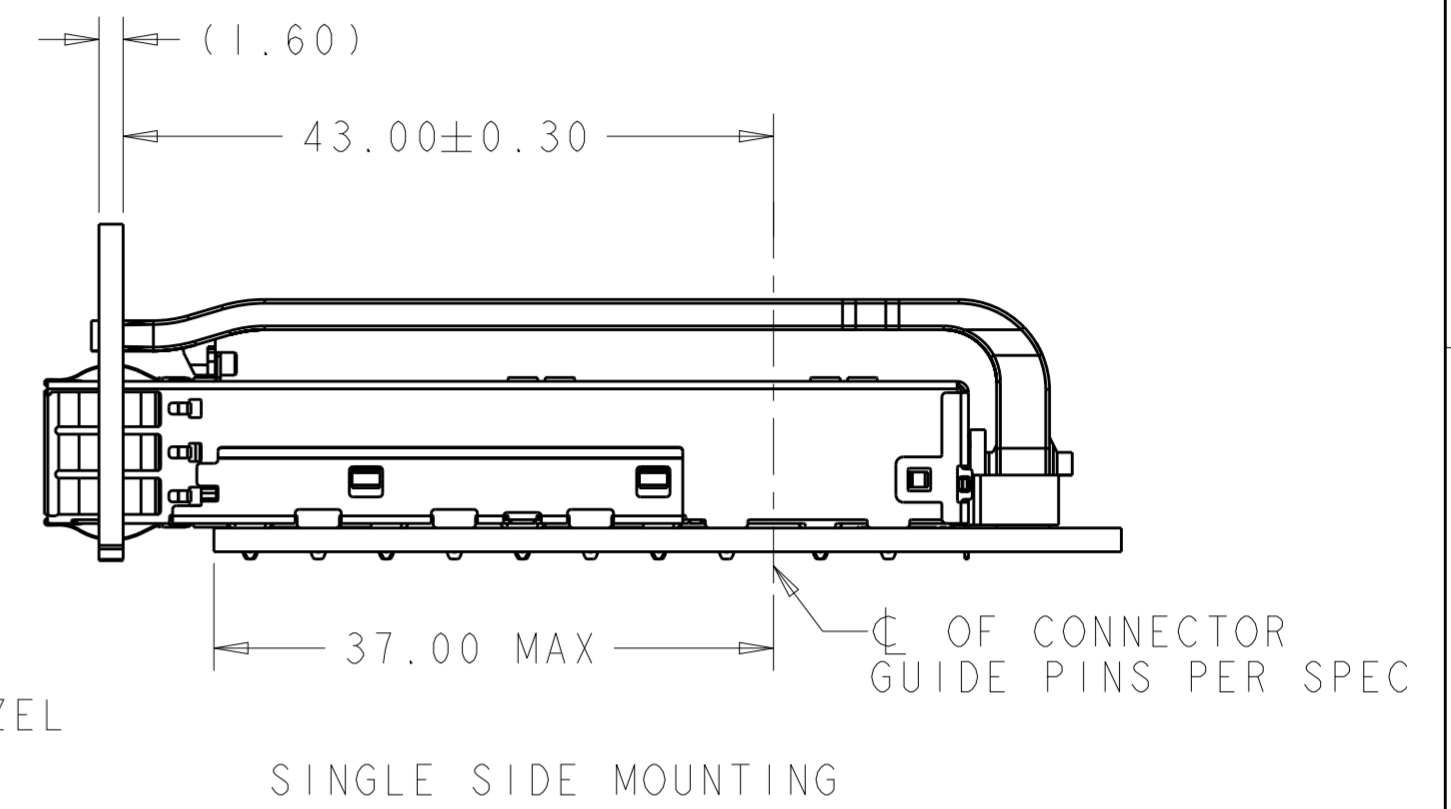
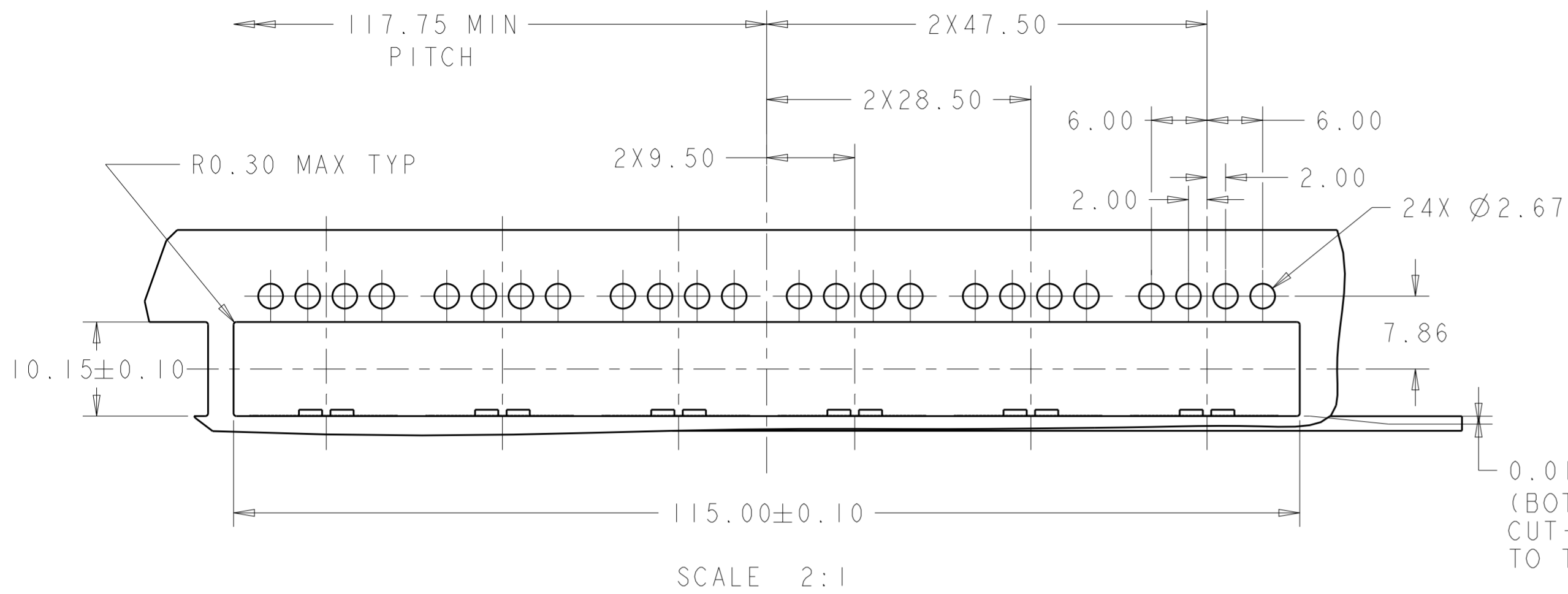


BELLY TO BELLY MOUNTING  
SCALE 2:1

2170734-1 AND 2170734-2

THIS DRAWING IS A CONTROLLED DOCUMENT.		DWN JASON YANG 14FEB2020	TE Connectivity	
		CHK SEAN HAN 08NOV2016		
DIMENSIONS: mm	TOLERANCES UNLESS OTHERWISE SPECIFIED: 0 PLC ± 1 PLC ±0.5 2 PLC ±0.13 3 PLC ±0.013 4 PLC ±0.0001 ANGLES ± FINISH	APVD -	NAME RECEPTACLE ASSEMBLY THRU BEZEL 1X6, QSFP28 EMI SPRINGS	
MATERIAL TBD	SEE NOTES	PRODUCT SPEC 108-19428 APPLICATION SPEC 114-32023 WEIGHT -	SIZE A200779	DRAWING NO C-2170734
		CUSTOMER DRAWING	SCALE 3:1	SHEET 4 OF 10

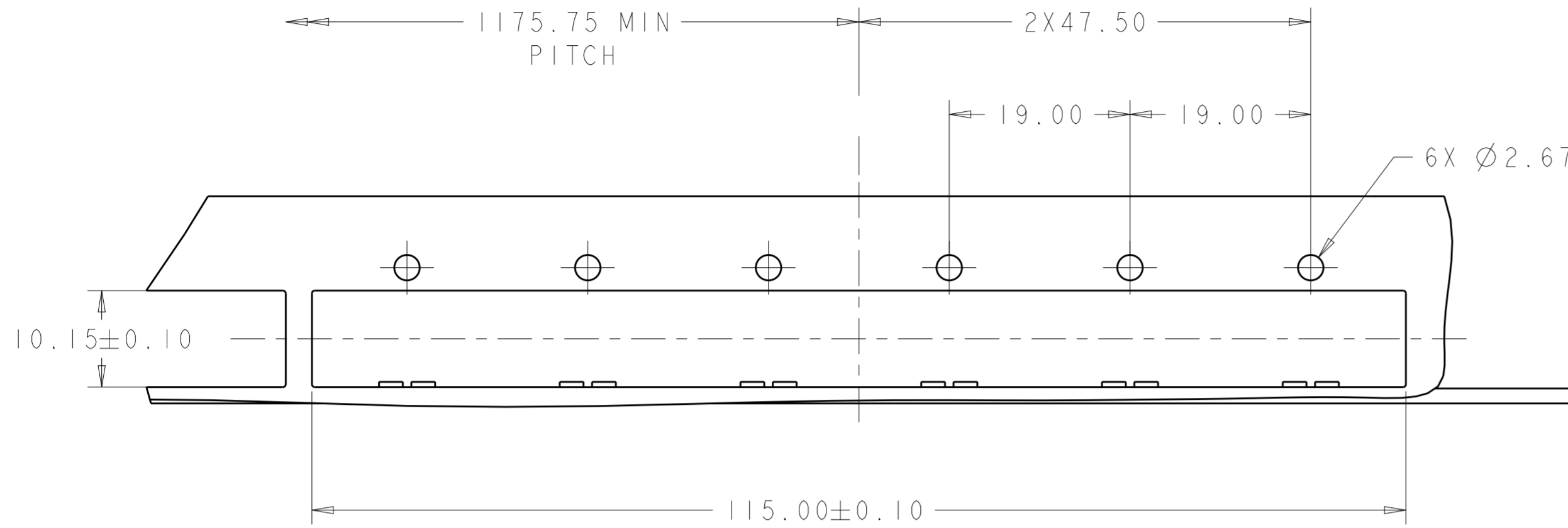
REVISIONS				
P	LTR	DESCRIPTION	DATE	APVD
-	-	SEE SHEET 1	-	-



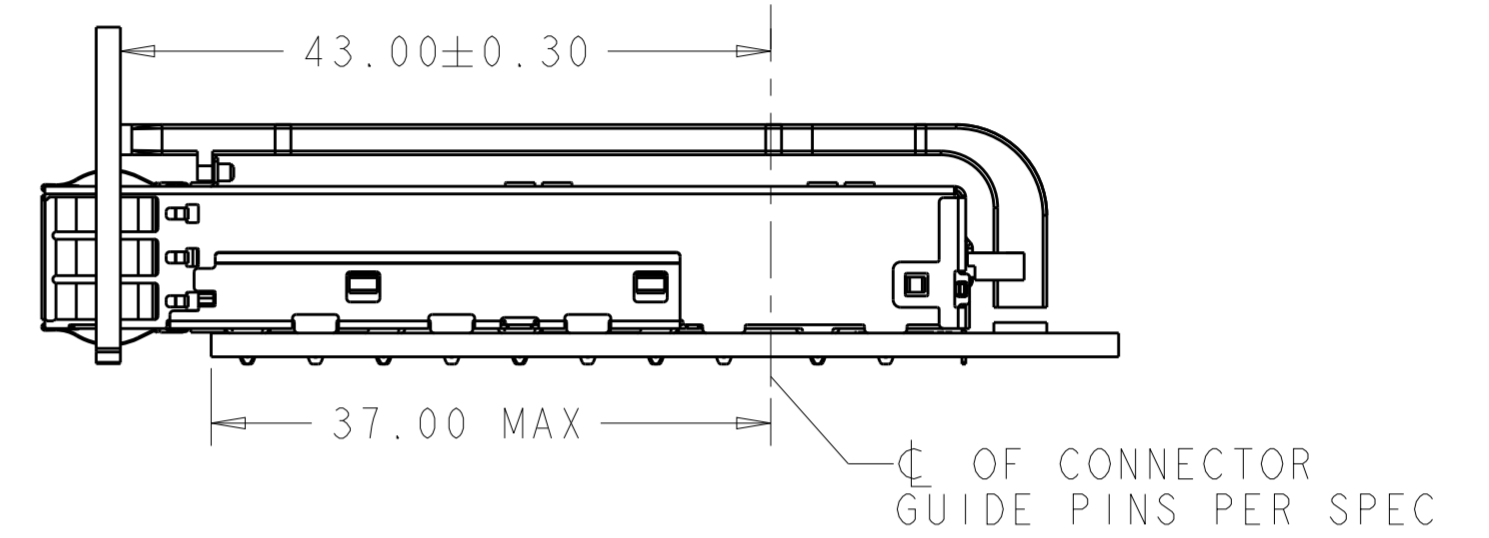
2170734-3 AND 2170734-4

THIS DRAWING IS A CONTROLLED DOCUMENT.		DWN 14FEB2020 JASON YANG	TE Connectivity	
		CHK 08NOV2016 SEAN HAN		
DIMENSIONS:	TOLERANCES UNLESS OTHERWISE SPECIFIED:	APVD -	NAME RECEPTACLE ASSEMBLY THRU BEZEL 1X6, QSFP28 EMI SPRINGS	
mm	0 PLC ± 1 PLC ±0.5 2 PLC ±0.13 3 PLC ±0.013 4 PLC ±0.0001	PRODUCT SPEC 108-19428	SIZE CAGE CODE DRAWING NO RESTRICTED TO	
MATERIAL TBD	FINISH SEE NOTES	APPLICATION SPEC 114-32023	A200779 C-2170734	
		WEIGHT -	SCALE 3:1 SHEET 5 OF 10 REV C	
		CUSTOMER DRAWING		

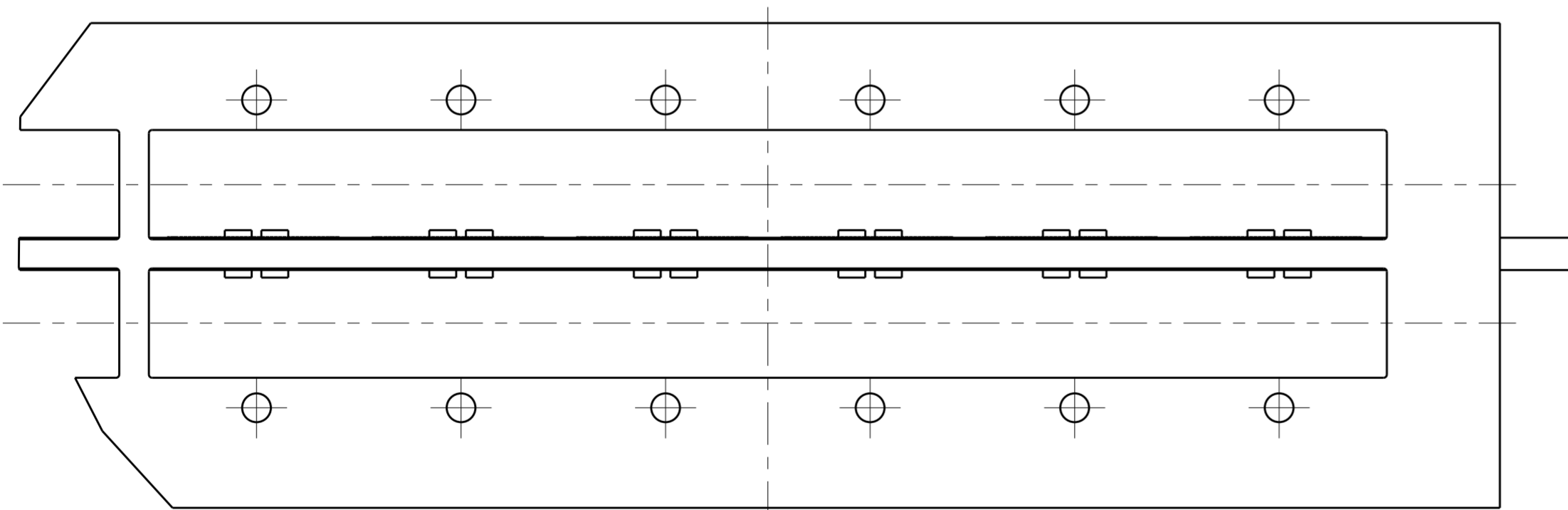
P	LTR	DESCRIPTION	DATE	DWN	APVD
-		SEE SHEET 1	-	-	-



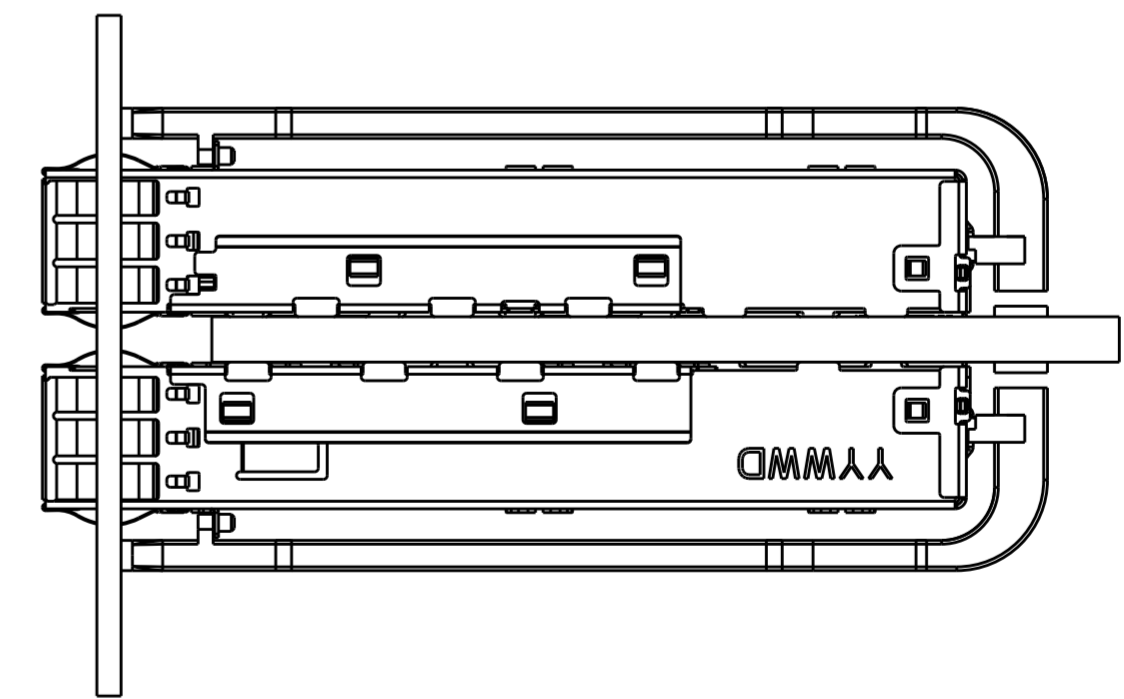
SCALE 2:1



SINGLE SIDE MOUNTING



SCALE 2:1

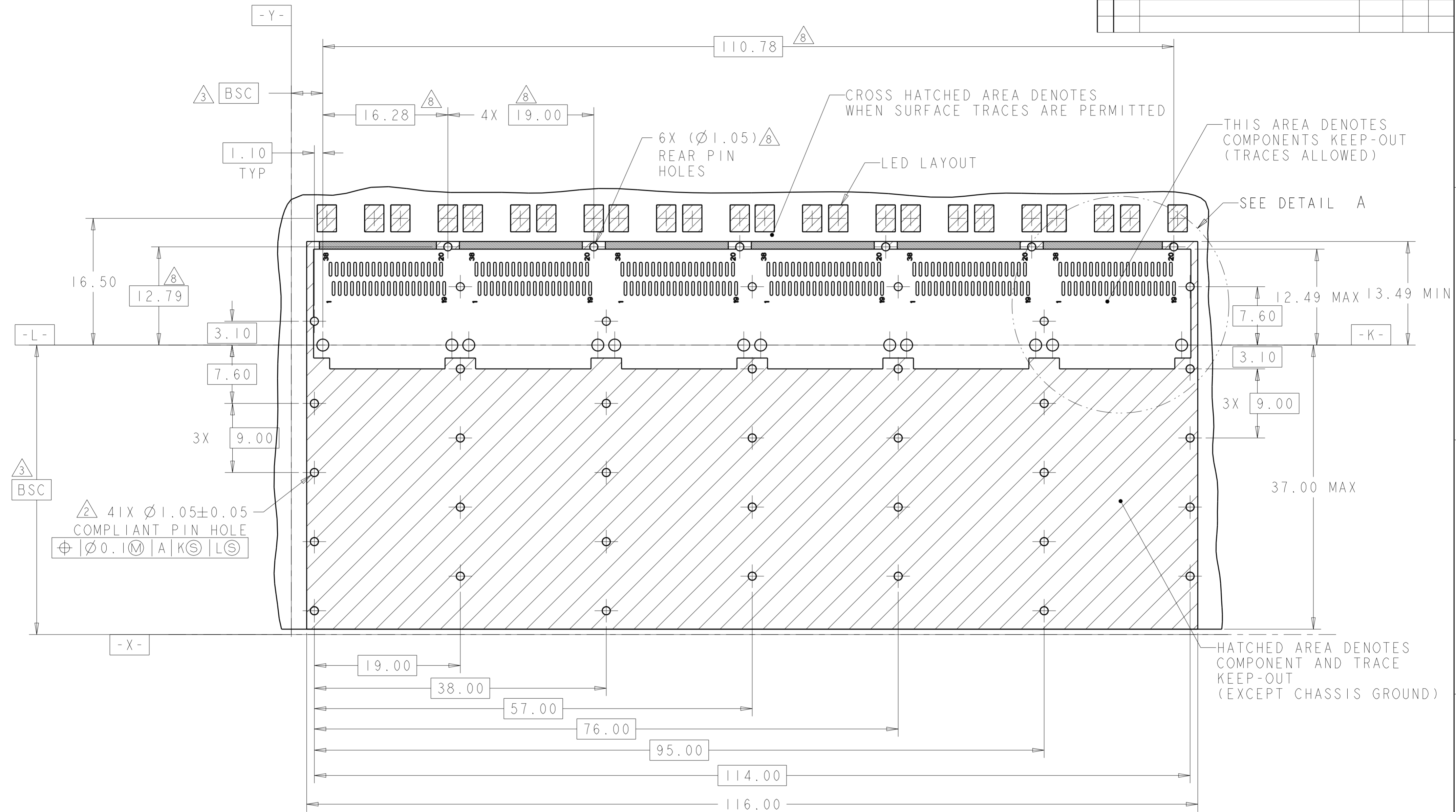


BELLY TO BELLY MOUNTING

2170734-5 AND 2170734-6

THIS DRAWING IS A CONTROLLED DOCUMENT.		DWN JASON YANG 14FEB2020	TE Connectivity	
		CHK SEAN HAN 08NOV2016		
DIMENSIONS:	TOLERANCES UNLESS OTHERWISE SPECIFIED:	APVD	NAME	RECEPTACLE ASSEMBLY THRU BEZEL 1X6, QSFP28 EMI SPRINGS
mm	0 PLC ± 1 PLC ±0.5 2 PLC ±0.13 3 PLC ±0.013 4 PLC ±0.0001 ANGLES ± FINISH	PRODUCT SPEC 108-19428	SIZE	
MATERIAL	SEE NOTES	APPLICATION SPEC 114-32023	CAGE CODE	DRAWING NO
TBD		WEIGHT	A200779	C-2170734
		CUSTOMER DRAWING	SCALE	SHEET
			3:1	6 OF 10
				REV C

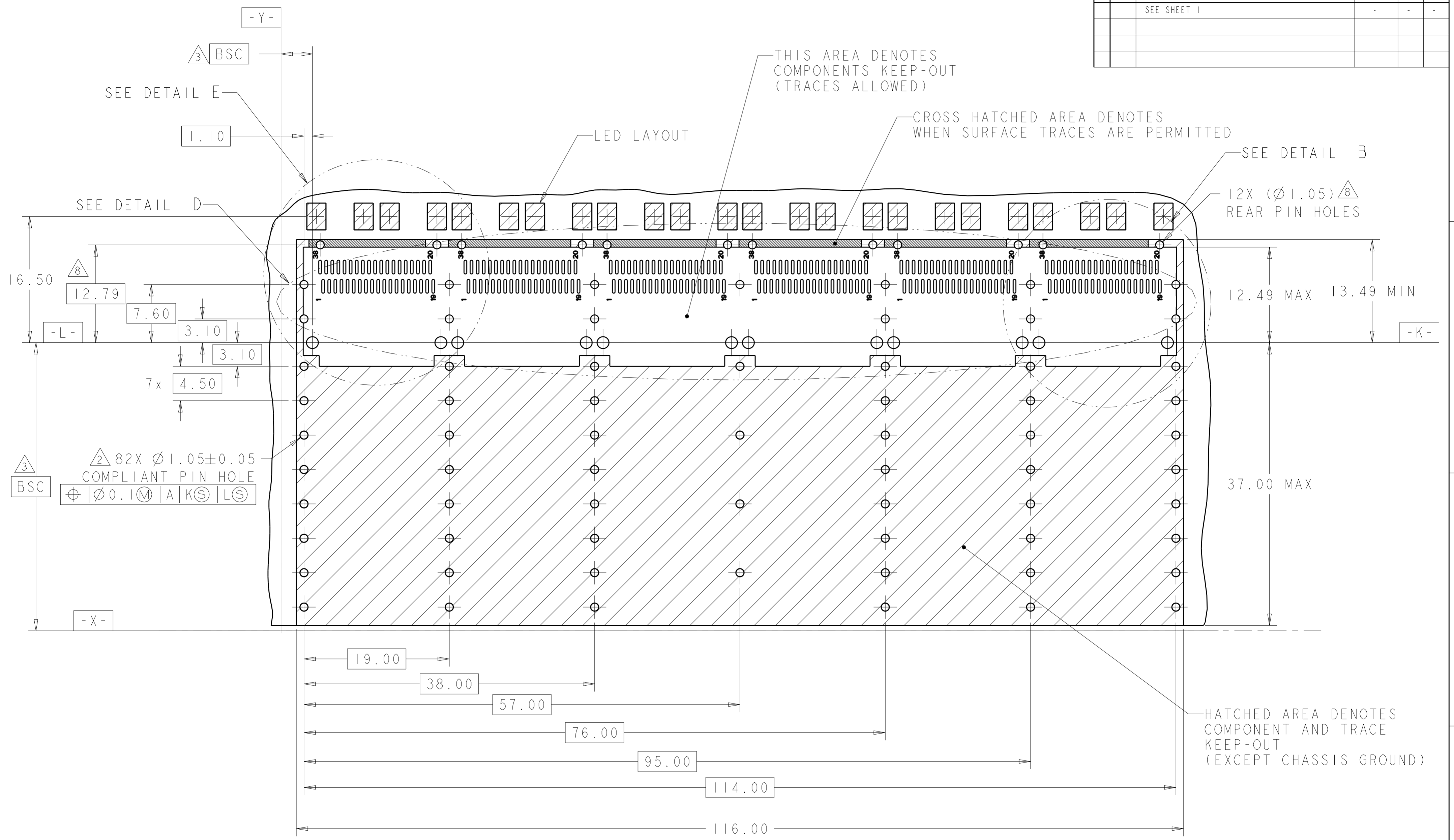
REVISIONS					
P	LTR	DESCRIPTION	DATE	DWN	APVD
-	-	SEE SHEET 1	-	-	-




THIS DRAWING IS A CONTROLLED DOCUMENT.		DWN 14FEB2020 JASON YANG	TE Connectivity	
		CHK 08NOV2016 SEAN HAN		
DIMENSIONS: mm		APVD -	NAME RECEPTACLE ASSEMBLY THRU BEZEL 1X6, QSFP28 EMI SPRINGS	
TOLERANCES UNLESS OTHERWISE SPECIFIED:		PRODUCT SPEC 108-19428	SIZE CAGE CODE DRAWING NO RESTRICTED TO	
0 PLC ±		APPLICATION SPEC 114-32023	A200779C-2170734	
1 PLC ±0.5		WEIGHT -	SCALE 3:1 SHEET 7 OF 10 REV C	
2 PLC ±0.13		CUSTOMER DRAWING		
3 PLC ±0.013				
4 PLC ±0.0001				
ANGLES ±				
FINISH SEE NOTES				

© 2020 TE Connectivity. All Rights Reserved.

REVISIONS				
P	LTR	DESCRIPTION	DATE	APVD
-	-	SEE SHEET 1	-	-

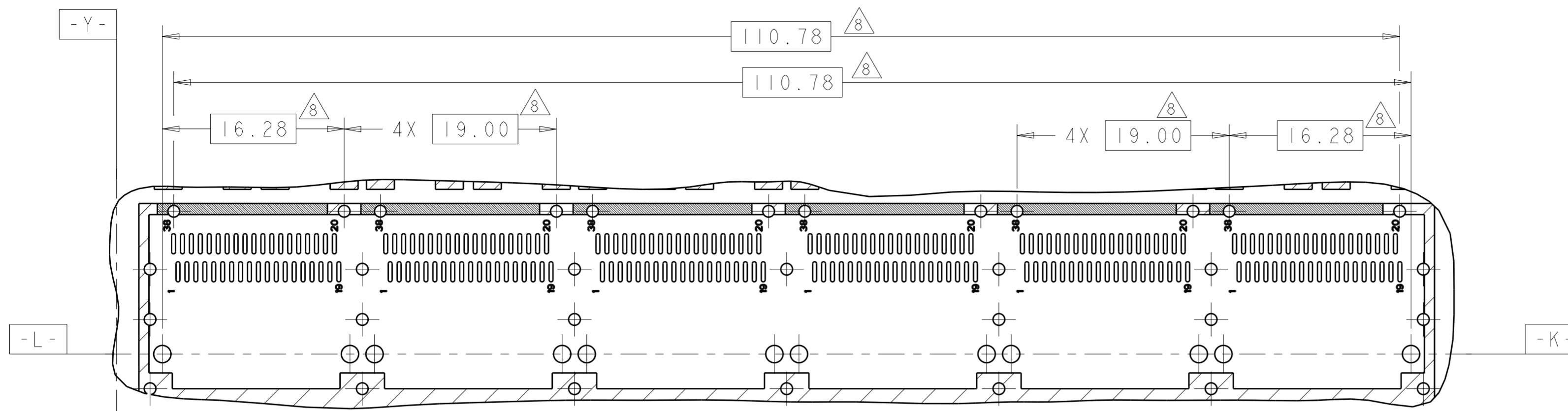


RECOMMENDED PCB LAYOUT  
 BELLY TO BELLY TYPE  
 PCB TOLERANCE: ±0.05  
 SCALE 3:1

THIS DRAWING IS A CONTROLLED DOCUMENT.		DWN 14FEB2020 JASON YANG	 TE Connectivity
		CHK 08NOV2016 SEAN HAN	
DIMENSIONS: mm	TOLERANCES UNLESS OTHERWISE SPECIFIED: 0 PLC ± 1 PLC ±0.5 2 PLC ±0.13 3 PLC ±0.013 4 PLC ±0.0001 ANGLES ± FINISH	APVD - PRODUCT SPEC 108-19428 APPLICATION SPEC 114-32023 WEIGHT -	NAME RECEPTACLE ASSEMBLY THRU BEZEL 1X6, QSFP28 EMI SPRINGS
MATERIAL TBD	SEE NOTES	CUSTOMER DRAWING	SIZE A2 CAGE CODE 00779 DRAWING NO C-2170734 RESTRICTED TO
		SCALE 3:1	SHEET 8 OF 10 REV C



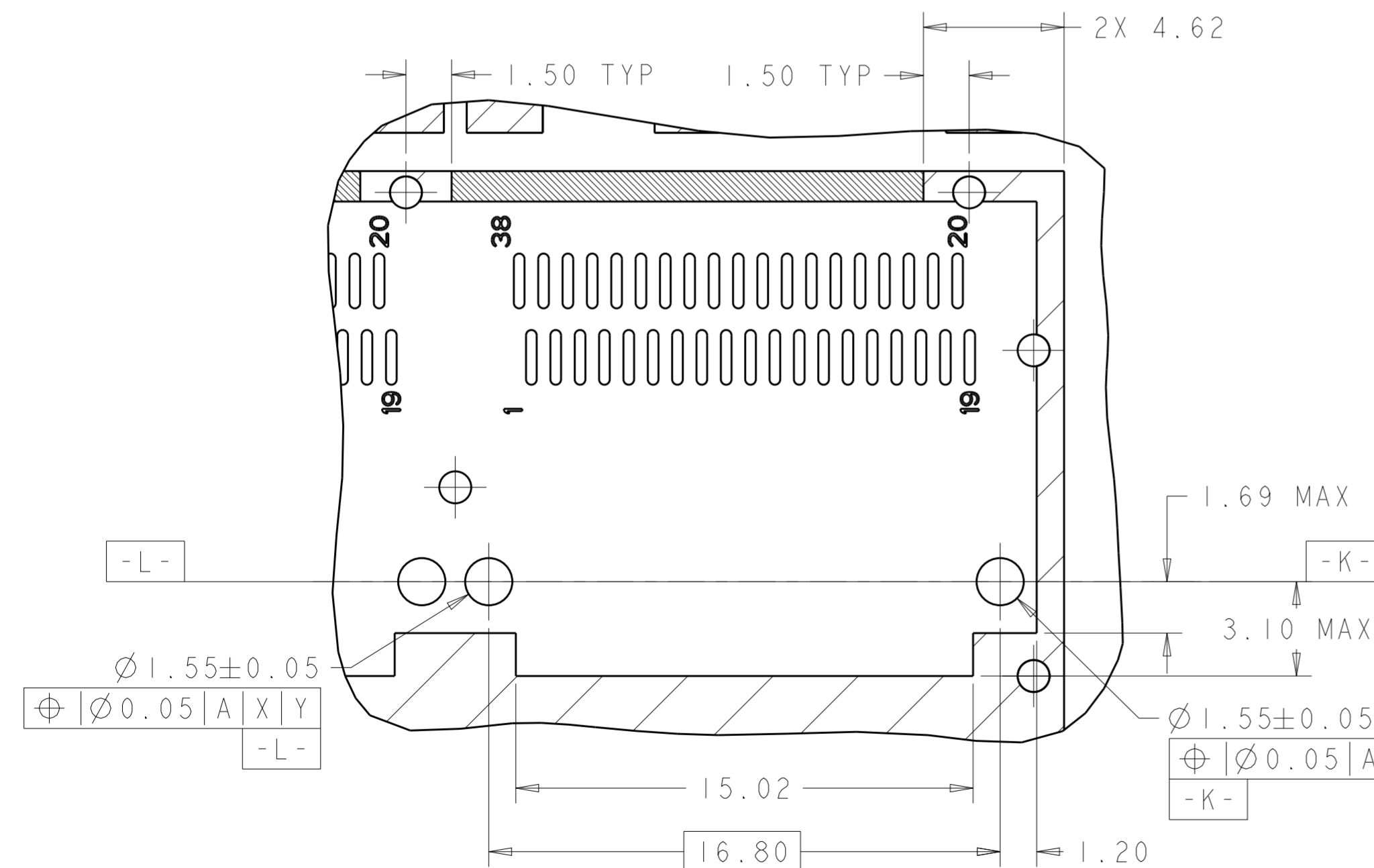
REVISIONS				
P	LTR	DESCRIPTION	DATE	APVD
-	-	SEE SHEET 1	-	-



DETAIL D  
SCALE 3:1



DETAIL B  
SCALE 6:1



DETAIL A  
SCALE 6:1

THIS DRAWING IS A CONTROLLED DOCUMENT.		DWN: JASON YANG CHK: SEAN HAN APVD: -	14FEB2020 08NOV2016	TE Connectivity	
DIMENSIONS: mm		PRODUCT SPEC: 108-19428			
TOLERANCES UNLESS OTHERWISE SPECIFIED:		APPLICATION SPEC: 114-32023		SIZE: A2	
0 PLC ±0.5		WEIGHT: -		CAGE CODE: 00779	
1 PLC ±0.13		FINISH: SEE NOTES		DRAWING NO: C-2170734	
2 PLC ±0.13		MATERIAL: TBD		RESTRICTED TO: -	
3 PLC ±0.013		CUSTOMER DRAWING		SCALE: 3:1	
4 PLC ±0.001		SCALE: 3:1		SHEET: 9 OF 10	
ANGLES ±		SCALE: 3:1		REV: C	