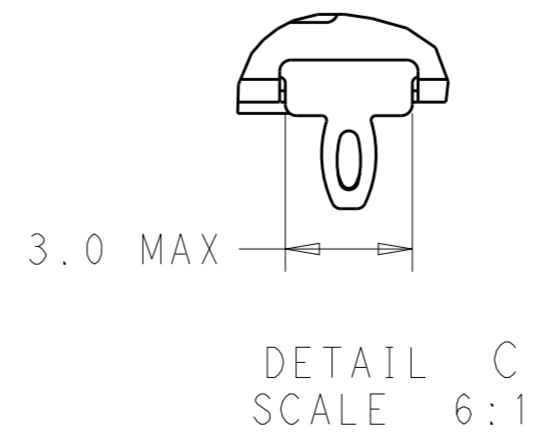
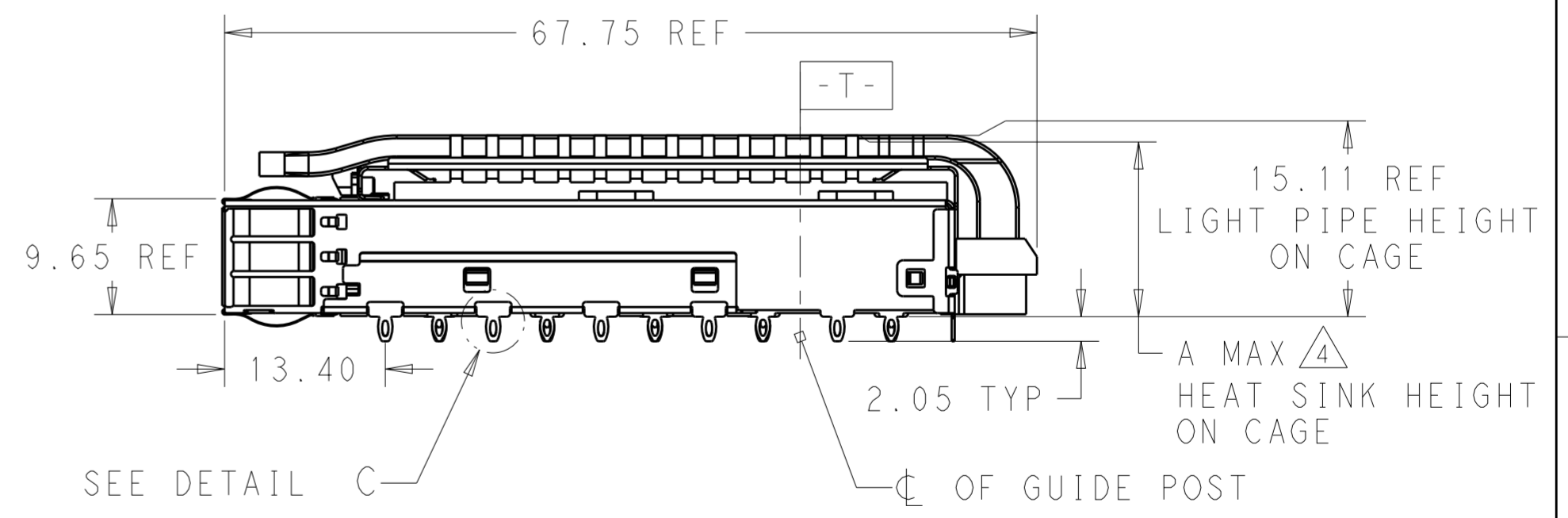
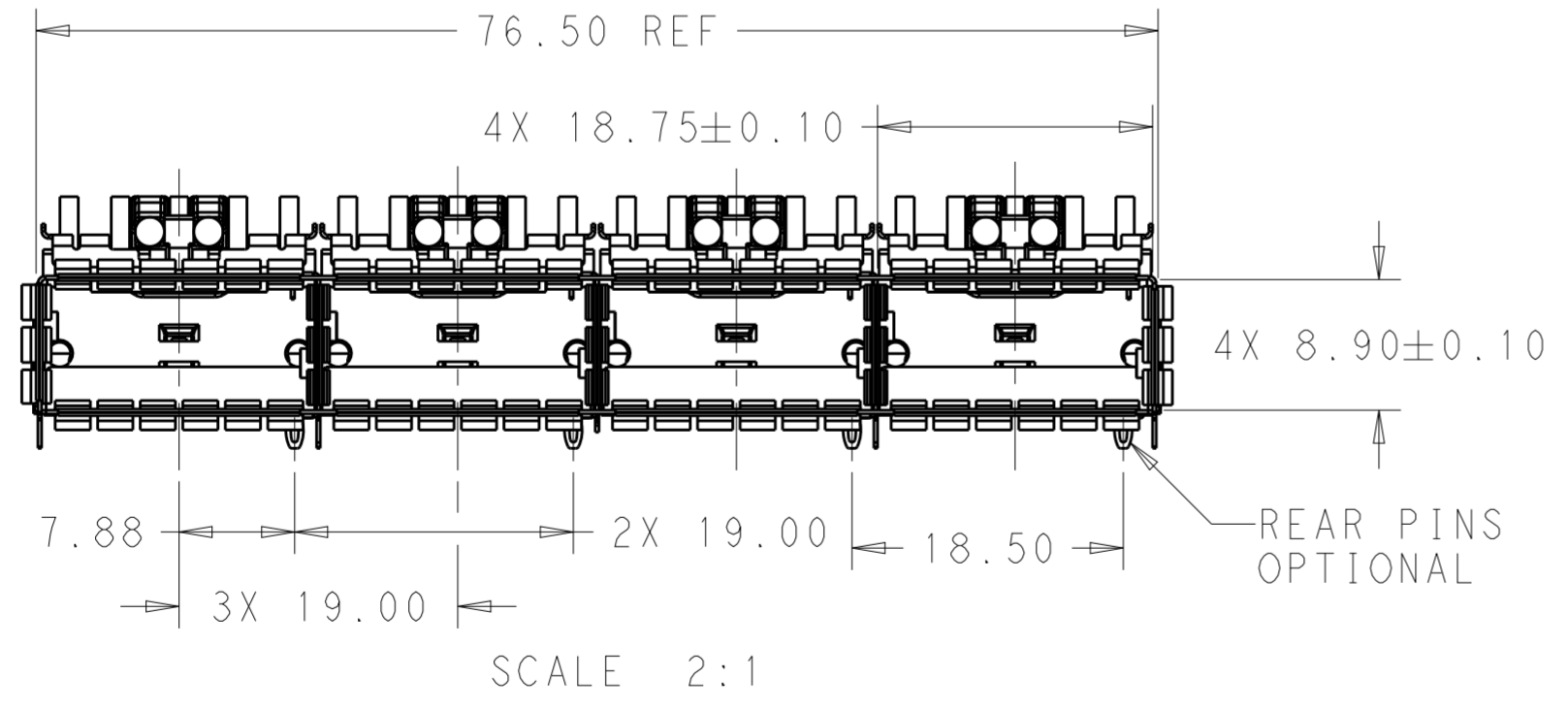
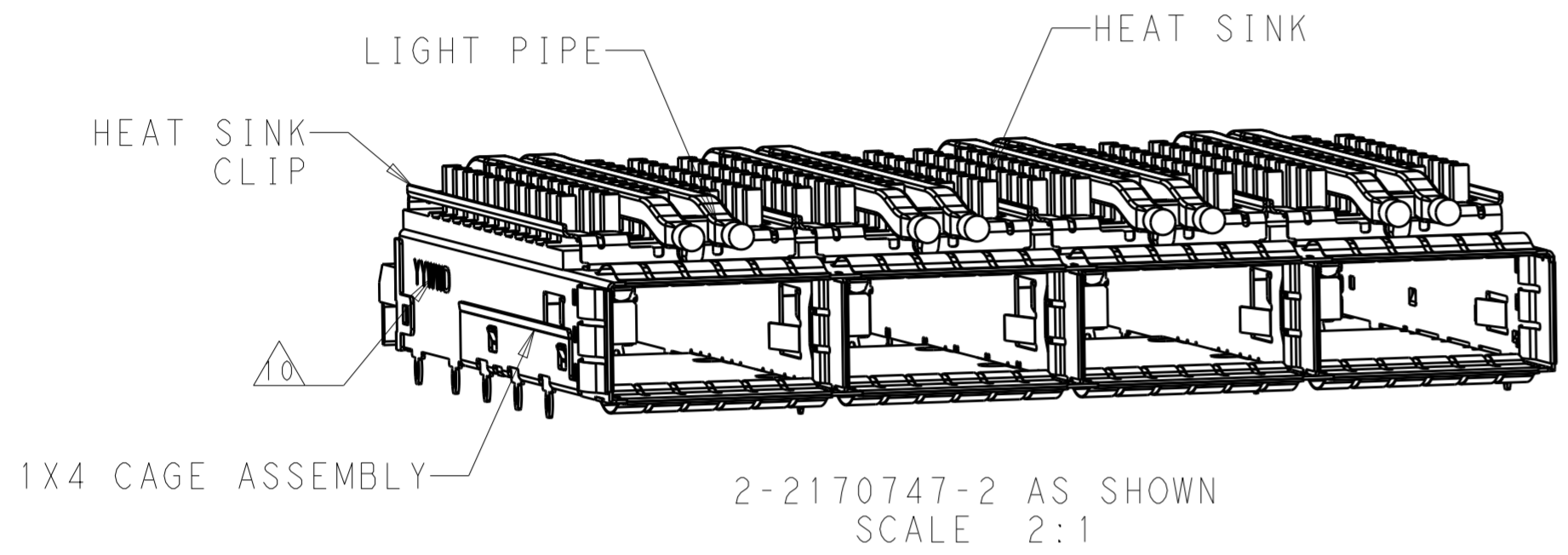


THIS DRAWING IS UNPUBLISHED. RELEASED FOR PUBLICATION 20
 © COPYRIGHT 20 BY - ALL RIGHTS RESERVED.

REVISIONS					
P	LTR	DESCRIPTION	DATE	DWN	APVD
A		RELEASE	31OCT2016	JY	SH
B		REVISED PER ECO-17-009888	07JUL2017	JY	SH
C		REVISED PER ECO-18-012273	10JUL2018	JY	SH

2-2170747-2 AS SHOWN

- COMPONENTS
 CAGE ASSEMBLY: NICKEL-SILVER ALLOY
 HEAT SINK: ALUMINUM/BLACK ANODIZE
 HEAT SINK CLIP: STAINLESS STEEL
 EMI SPRING: COPPER ALLOY/NICKEL PLATE
 LIGHT PIPE: CLEAR POLYCARBONATE
 ORGANIZER: POLYESTER WITH UL 94 V-0
- REFERENCE APPLICATION SPECIFICATION 114-23023 FOR RECOMMENDED DRILL HOLE DIAMETER AND PLATING THICKNESS
- DATUM AND BASIC DIMENSION ESTABLISHED BY CUSTOMER
- DIMENSION OF HEAT SINK APPLIES WITH MODULE INSERTED IN CAGE.
- HEAT SINKS, HEAT SINK CLIPS AND LIGHT PIPES ARE SHIPPED ASSEMBLED ON CAGE
- MINIMUM PC BOARD THICKNESS: SINGLE SIDED: 1.57 MIN
 DOUBLE SIDED: 2.20 MIN
- DATUM **-A-** IS TOP SURFACE OF THE HOST BOARD.
- THESE HOLES ARE OPTIONAL WHEN THE REAR PINS ARE REMOVED.
- MATES WITH QSFP28 MSA COMPATIBLE TRANSCEIVER.
- DATE CODE (YYWWD) MARKED APPROXIMATELY AS SHOWN.
- NOTED DIMENSIONS ONLY APPLY TO CAGE ASSEMBLY WITH LIGHT PIPE.
- THE CUSTOMIZED HEAT SINK HAVE NO SURFACE FINISH ONLY FOR 2170747-7/-8/-9.
- CAGE ASSEMBLY WITH HS AND LIGHT PIPE ARE UNASSEMBLED, AND PACKAGED INDIVIDUALLY IN TRAYS. ONLY APPLICABLE TO 2170747-7.

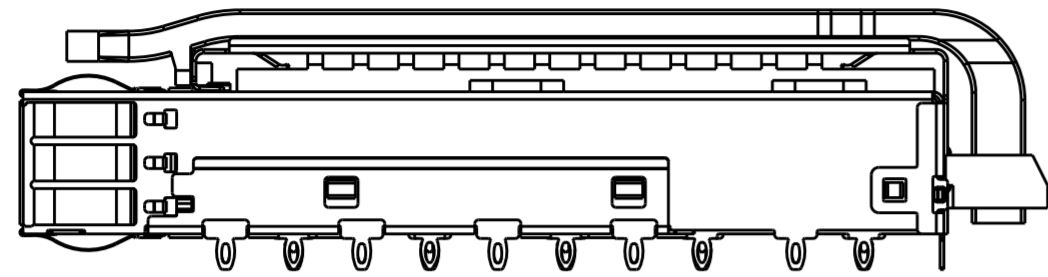


THIS DRAWING IS A CONTROLLED DOCUMENT.		DWN JASON YANG 04JUN2014	TE Connectivity	
		CHK SEAN HAN 07JUN2014		
DIMENSIONS:	TOLERANCES UNLESS OTHERWISE SPECIFIED:	APVD	NAME	
mm	0 PLC ± 1 PLC ±0.25 2 PLC ±0.2 3 PLC ± 4 PLC ±	PRODUCT SPEC	RECEPTACLE CAGE ASSEMBLY WITH HEAT SINKS AND LIGHT PIPES, THRU BEZEL, 1X4, QSFP28, SPRING	
MATERIAL	FINISH	APPLICATION SPEC	SIZE	CAGE CODE
SEE NOTES	SEE NOTES	114-32023	A200779	C-2170747
		WEIGHT	DRAWING NO	RESTRICTED TO
		CUSTOMER DRAWING	SCALE 1:1	SHEET 1 OF 13 REV C

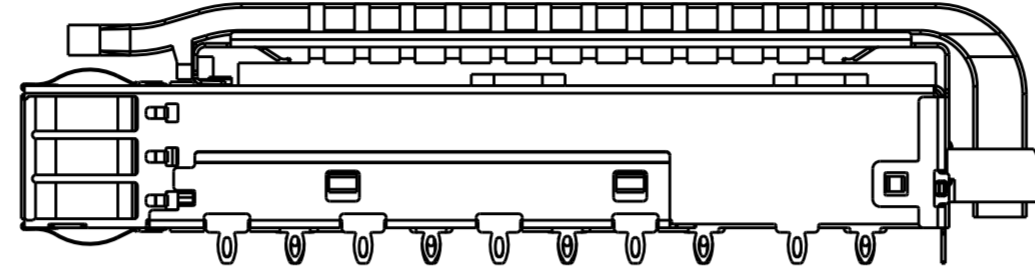
THIS DRAWING IS UNPUBLISHED. RELEASED FOR PUBLICATION 20
 © COPYRIGHT 20 BY - ALL RIGHTS RESERVED.

REVISIONS					
P	LTR	DESCRIPTION	DATE	DWN	APVD
-		SEE SHEET 1	-	-	-

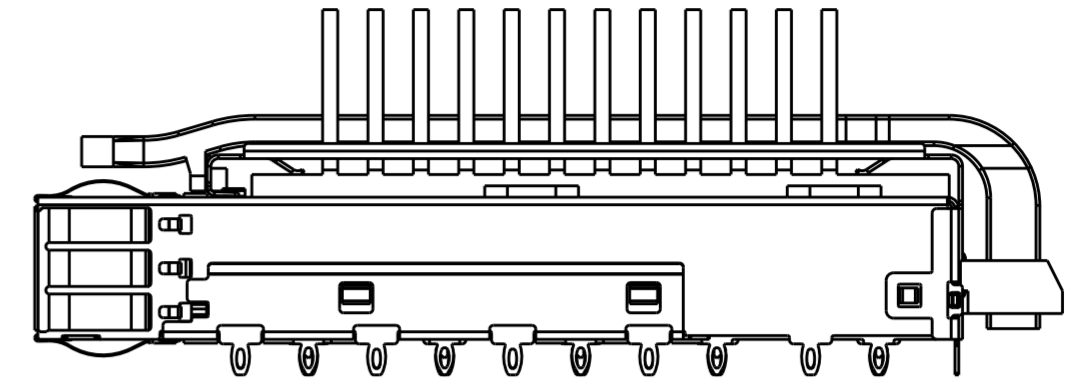
HEAT SINK OPTION



PCI HEAT SINK
SCALE 2:1

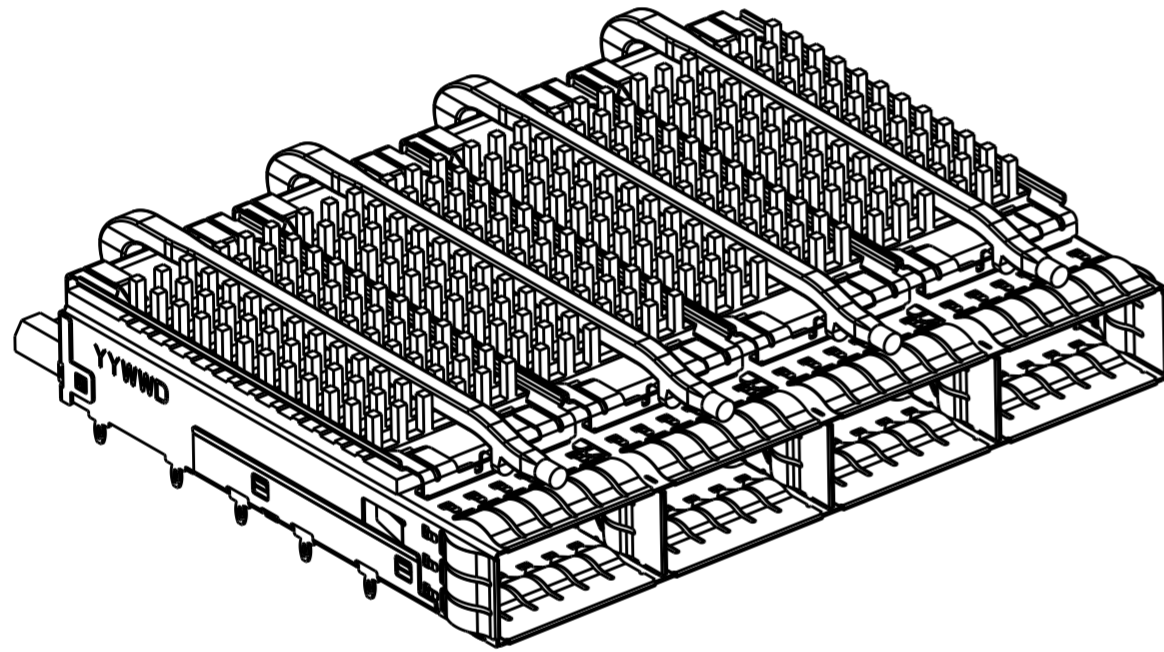


SAN HEAT SINK
SCALE 2:1

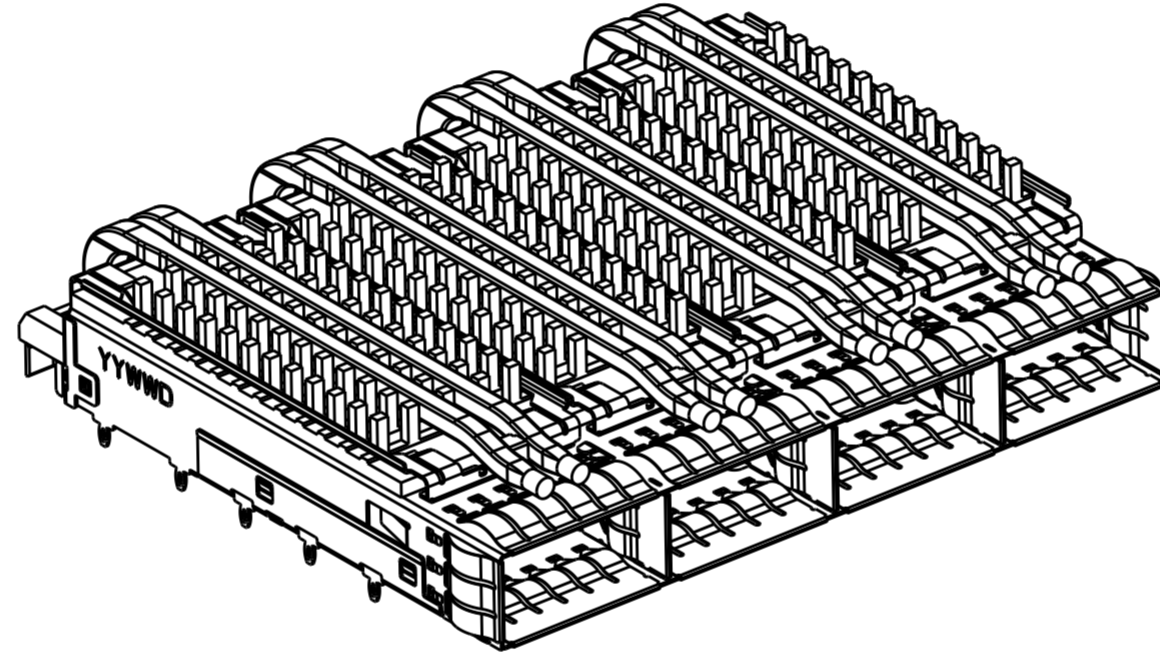


NETWORKING HEAT SINK
SCALE 2:1

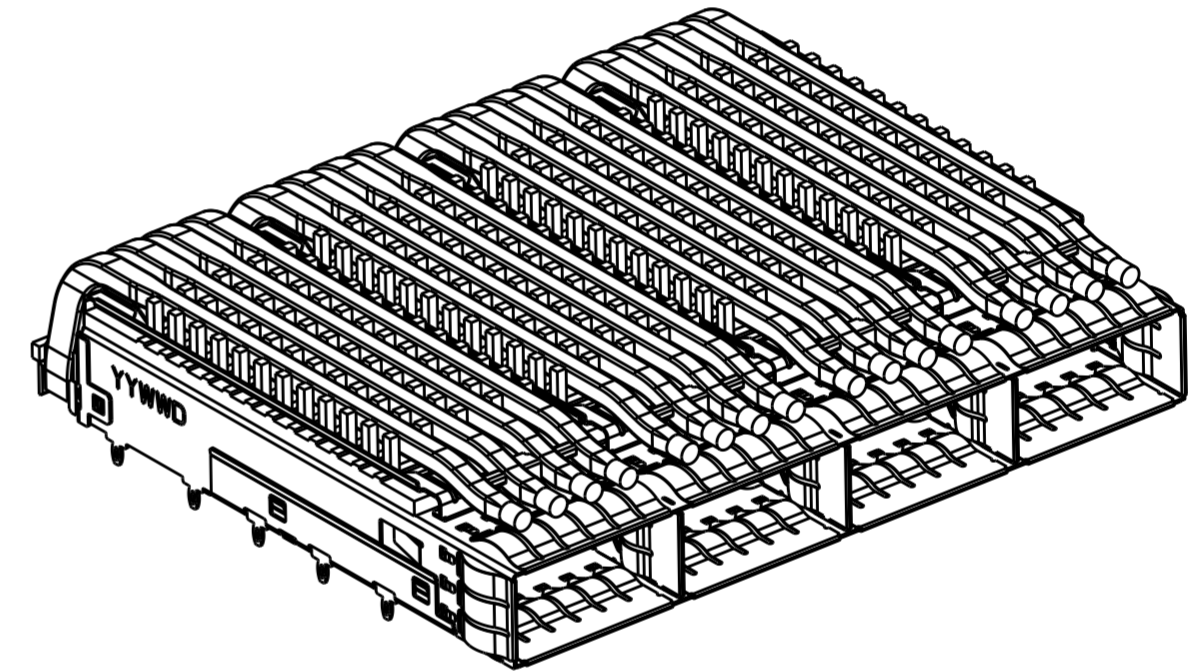
LIGHT PIPE OPTION



SINGLE LIGHT PIPE
SCALE 3:2

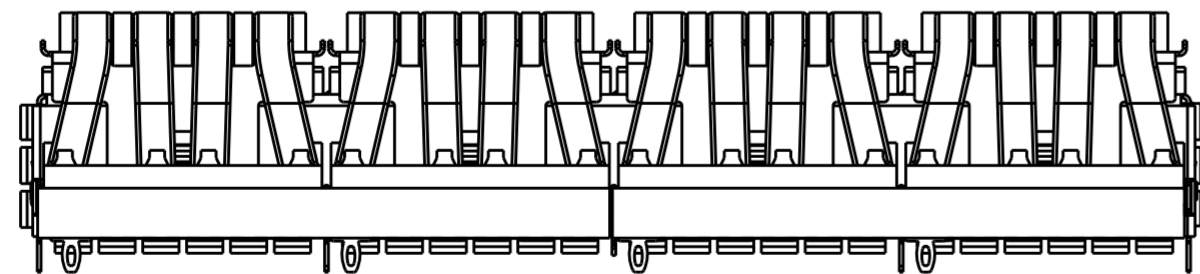


DUAL LIGHT PIPE
SCALE 3:2

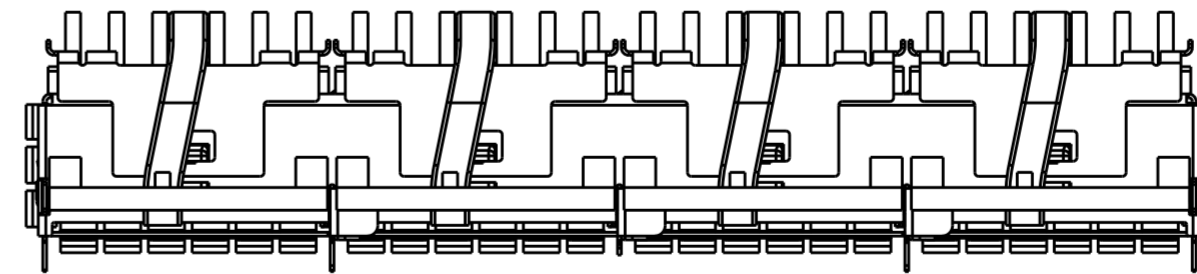


QUAD LIGHT PIPE
SCALE 3:2

OF REAR PIN OPTION



1 REAR PIN
SCALE 2:1

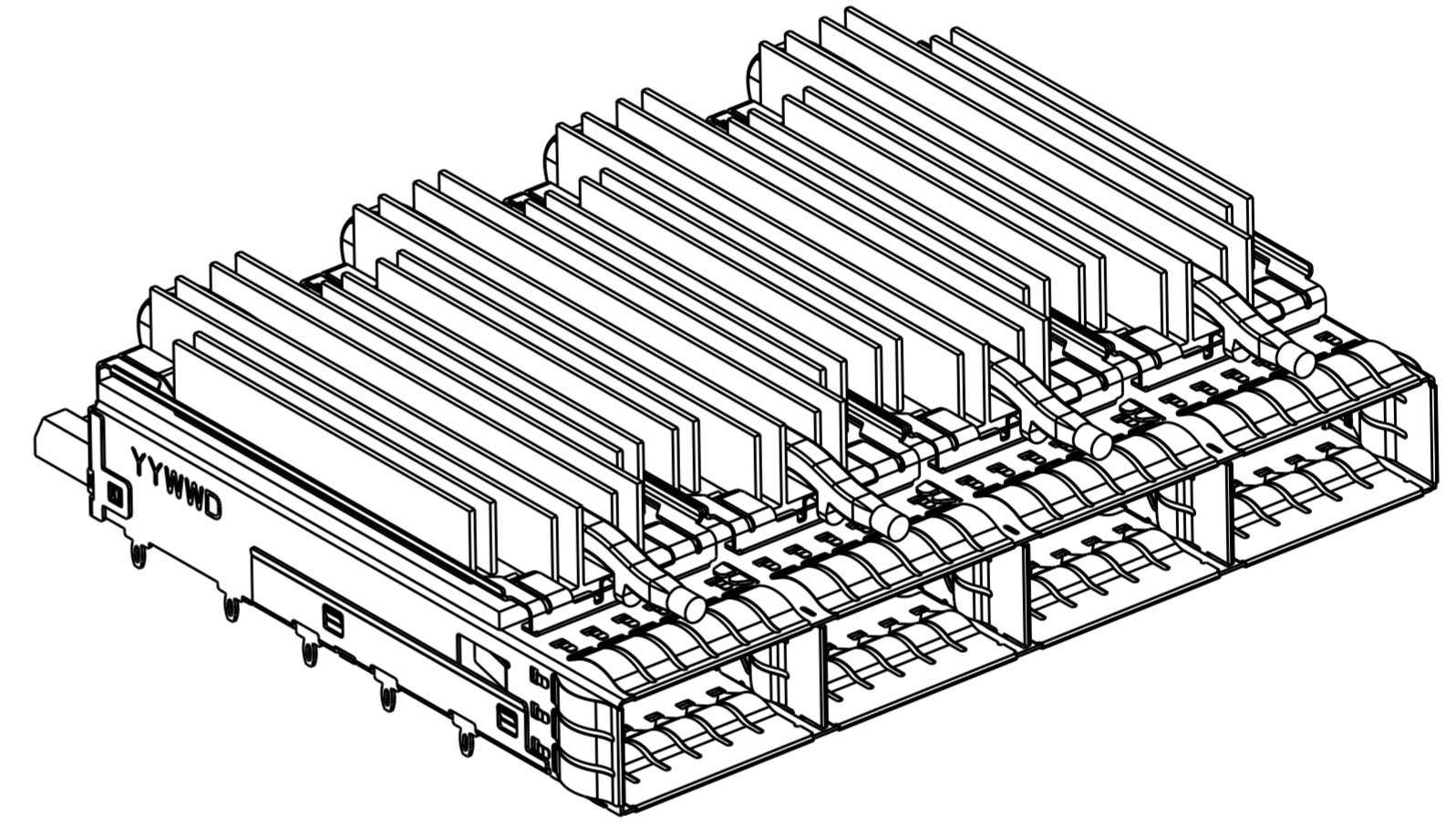
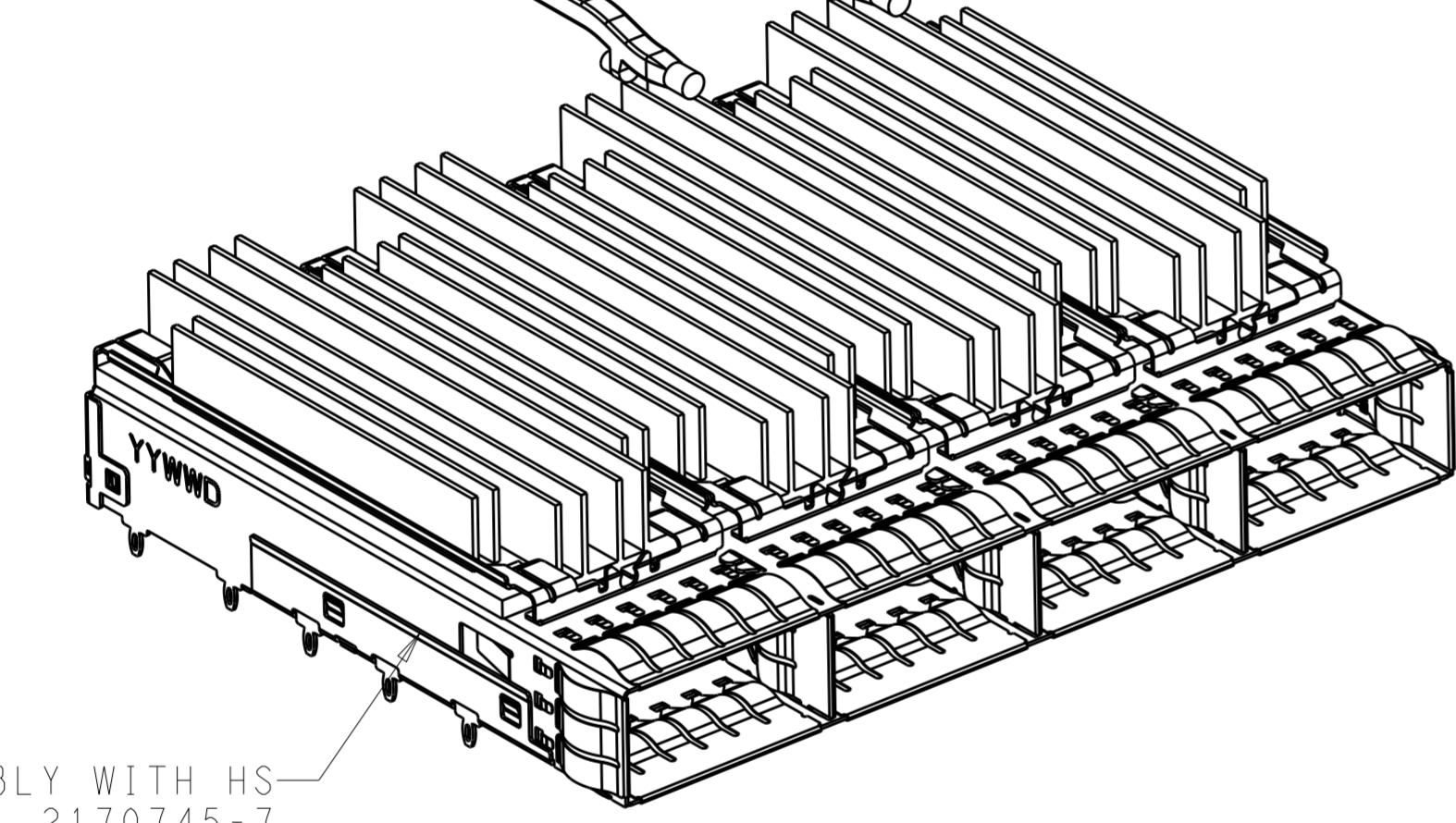
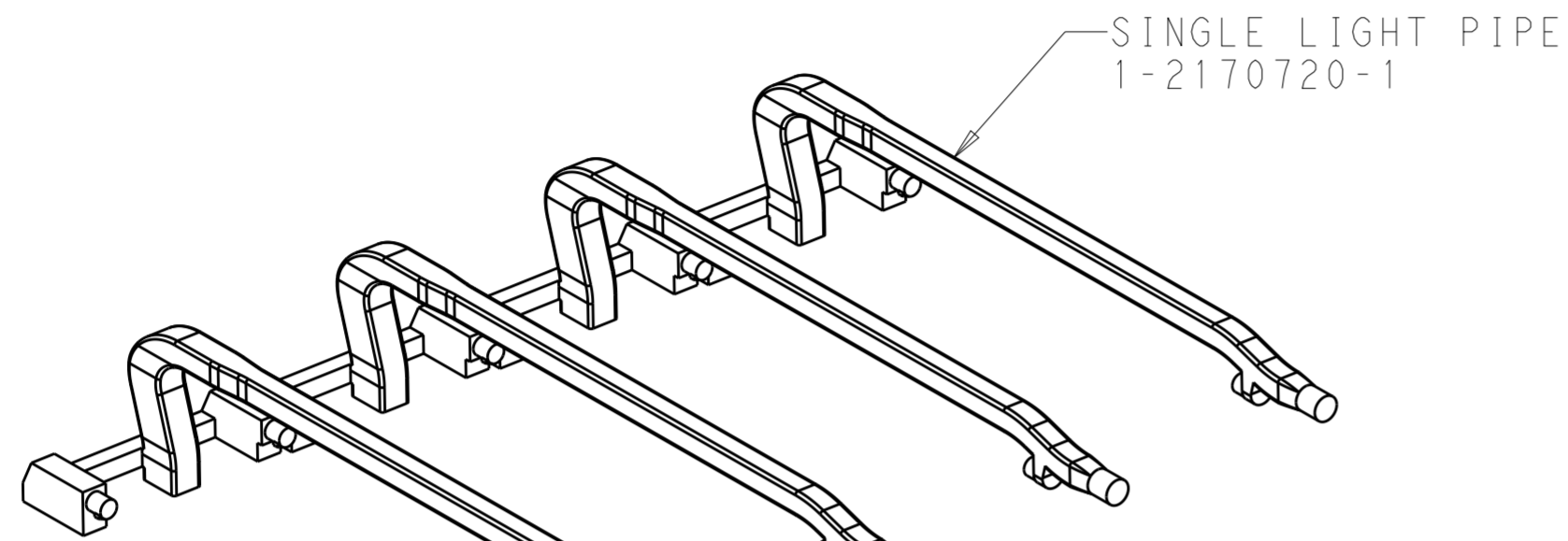


0 REAR PIN
SCALE 2:1

THIS DRAWING IS A CONTROLLED DOCUMENT.		DWN JASON YANG 04JUN2014	TE Connectivity	
		CHK SEAN HAN 07JUN2014		
DIMENSIONS: mm		APVD -	NAME RECEPTACLE CAGE ASSEMBLY WITH HEAT SINKS AND LIGHT PIPES, THRU BEZEL, 1X4, QSFP28, SPRING	
TOLERANCES UNLESS OTHERWISE SPECIFIED: 0 PLC ± 1 PLC ±0.25 2 PLC ±0.2 3 PLC ± 4 PLC ± ANGLES ± FINISH		PRODUCT SPEC 108-19428	SIZE A200779	
MATERIAL SEE NOTES		APPLICATION SPEC 114-32023	DRAWING NO C-2170747	
		WEIGHT -	RESTRICTED TO -	
		CUSTOMER DRAWING	SCALE 1:1 SHEET 2 OF 13 REV C	

THIS DRAWING IS UNPUBLISHED. RELEASED FOR PUBLICATION 20
 © COPYRIGHT 20 BY - ALL RIGHTS RESERVED.


REVISIONS				
P	LTR	DESCRIPTION	DATE	APVD
-		SEE SHEET 1	-	-



CAGE ASSEMBLY WITH HS
2170745-7

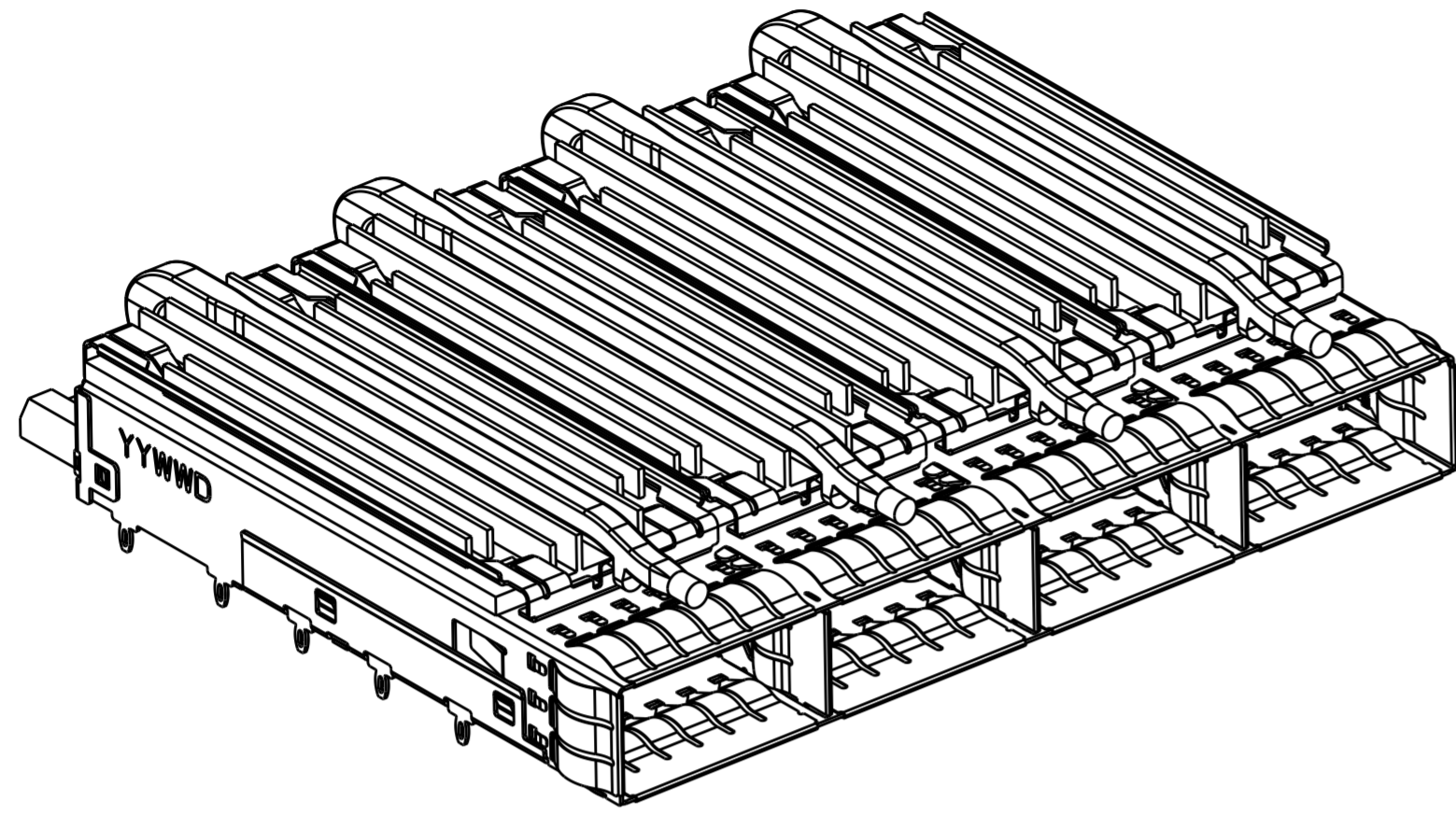
2170747-7 UNASSEMBLED ¹³
 CAGE ASSY WITH HS AND LIGHT PIPE ARE UNASSEMBLED,
 AND PACKAGED INDIVIDUALLY.
 CUSTOMIZED HEAT SINK
 SCALE 2:1

2170747-8 ASSEMBLED
 ASSEMBLED AND PAKCAGED TOGETHER, CUSTOMIZED HEAT SINK
 SCALE 2:1

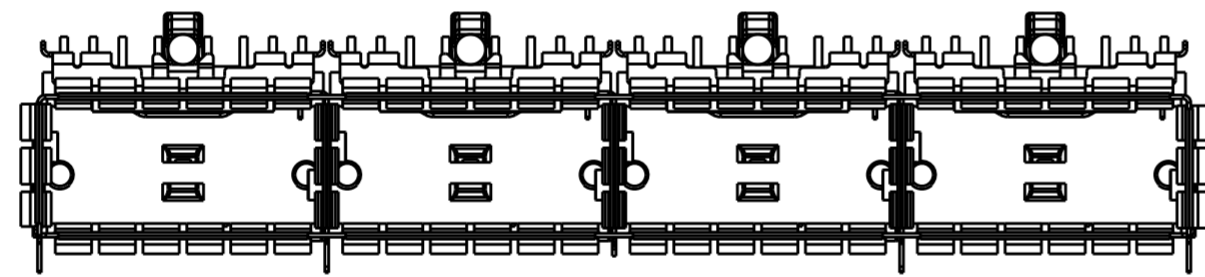
THIS DRAWING IS A CONTROLLED DOCUMENT.		DWN JASON YANG 04 JUN 2014	 TE Connectivity	
		CHK SEAN HAN 07 JUN 2014		
DIMENSIONS:	TOLERANCES UNLESS OTHERWISE SPECIFIED:	APVD	NAME	RECEPTACLE CAGE ASSEMBLY WITH HEAT SINKS AND LIGHT PIPES, THRU BEZEL, 1X4, QSFP28, SPRING
mm	0 PLC ± 1 PLC ±0.25 2 PLC ±0.2 3 PLC ± 4 PLC ± ANGLES ± FINISH	PRODUCT SPEC 108-19428	SIZE	
MATERIAL	SEE NOTES	APPLICATION SPEC 114-32023	CAGE CODE	DRAWING NO
		WEIGHT	A200779	C-2170747
		CUSTOMER DRAWING	SCALE	SHEET
			1:1	3 OF 13
				REV C

THIS DRAWING IS UNPUBLISHED. RELEASED FOR PUBLICATION 20
 © COPYRIGHT 20 BY - ALL RIGHTS RESERVED.

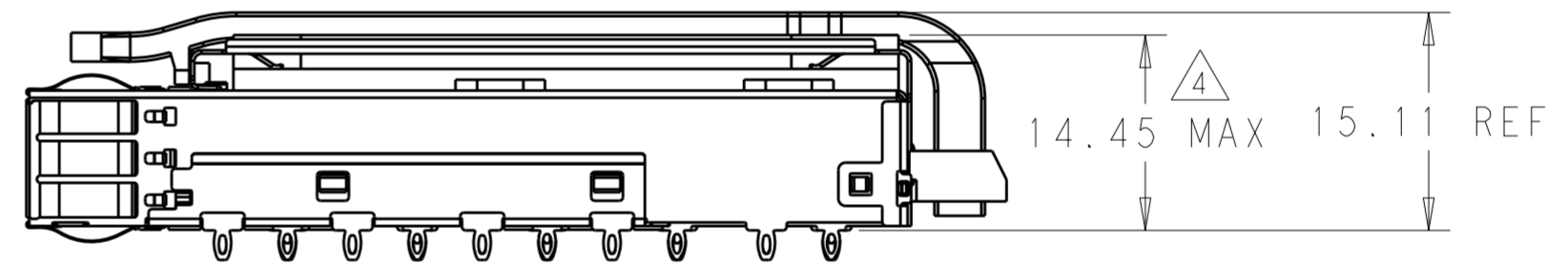
REVISIONS				
P	LTR	DESCRIPTION	DATE	APVD
-		SEE SHEET 1	-	-


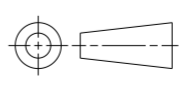


2170747-9 AS SHOWN
 WITH CUSTOMIZED HEAT SINK
 SCALE 2:1



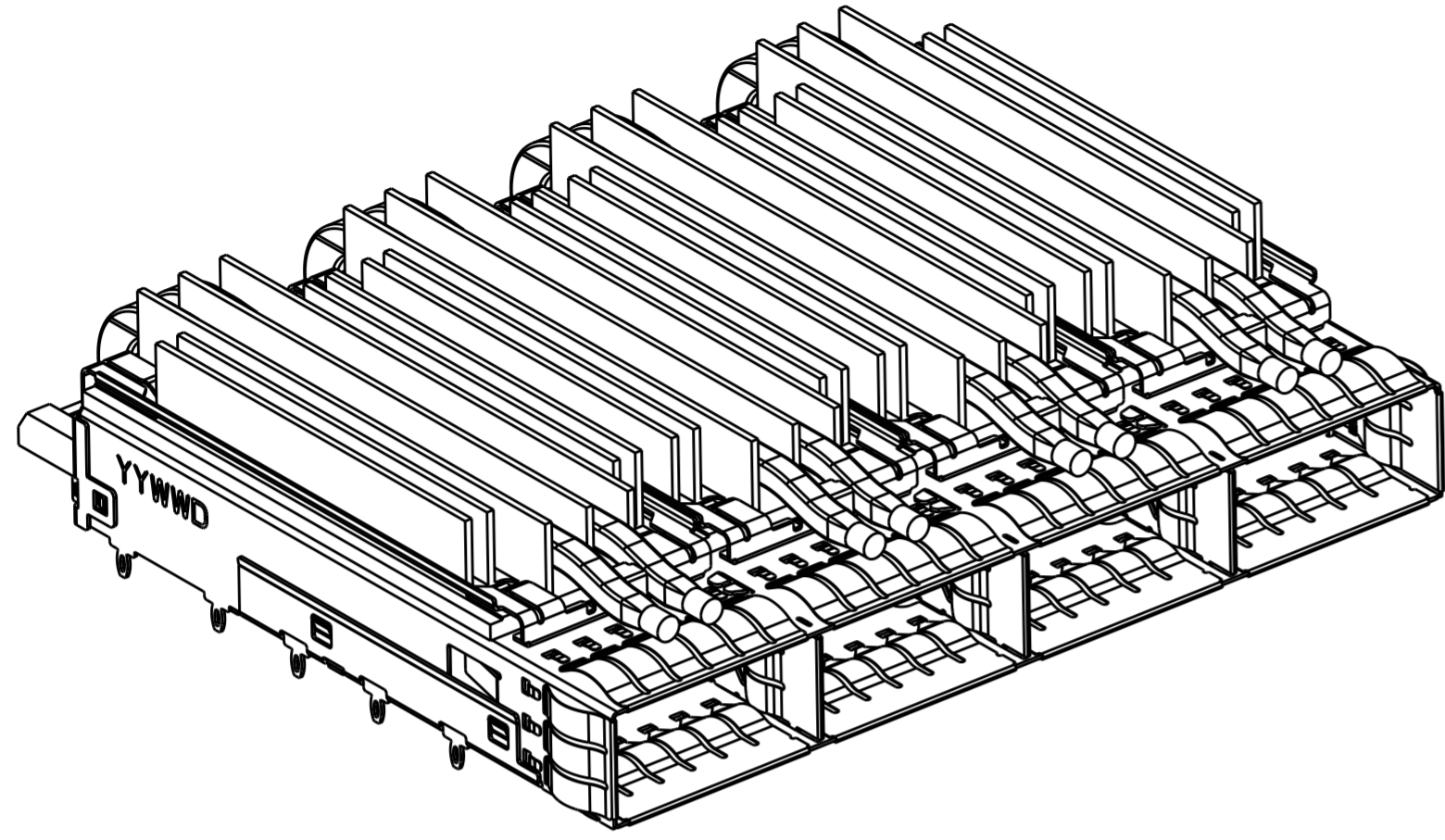
SCALE 2:1



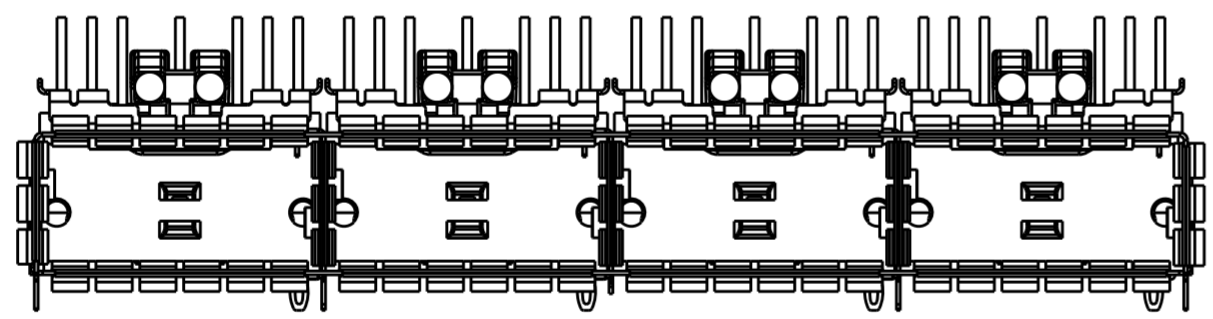
THIS DRAWING IS A CONTROLLED DOCUMENT.		DWN JASON YANG 04 JUN 2014	 TE Connectivity	
		CHK SEAN HAN 07 JUN 2014		
DIMENSIONS: mm		TOLERANCES UNLESS OTHERWISE SPECIFIED:		NAME RECEPTACLE CAGE ASSEMBLY WITH HEAT SINKS AND LIGHT PIPES, THRU BEZEL, 1X4, QSFP28, SPRING
		0 PLC ±- 1 PLC ±0.25 2 PLC ±0.2 3 PLC ±- 4 PLC ±- ANGLES ±- FINISH ±-		PRODUCT SPEC 108-19428 APPLICATION SPEC 114-32023 WEIGHT -
MATERIAL SEE NOTES		FINISH SEE NOTES		SIZE A2 CAGE CODE 00779 DRAWING NO C-2170747 RESTRICTED TO -
		CUSTOMER DRAWING		SCALE 1:1 SHEET 4 OF 13 REV C

THIS DRAWING IS UNPUBLISHED. RELEASED FOR PUBLICATION 20
 © COPYRIGHT 20 BY - ALL RIGHTS RESERVED.

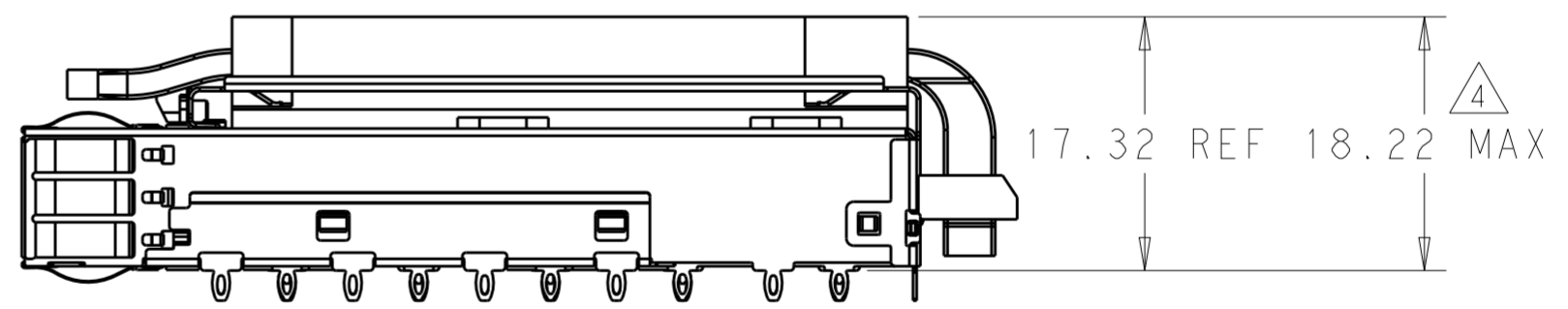
REVISIONS				
P	LTR	DESCRIPTION	DATE	APVD
-		SEE SHEET 1	-	-


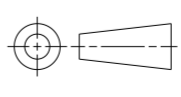


2-2170747-7 AS SHOWN
 WITH CUSTOMIZED HEAT SINK
 SCALE 2:1



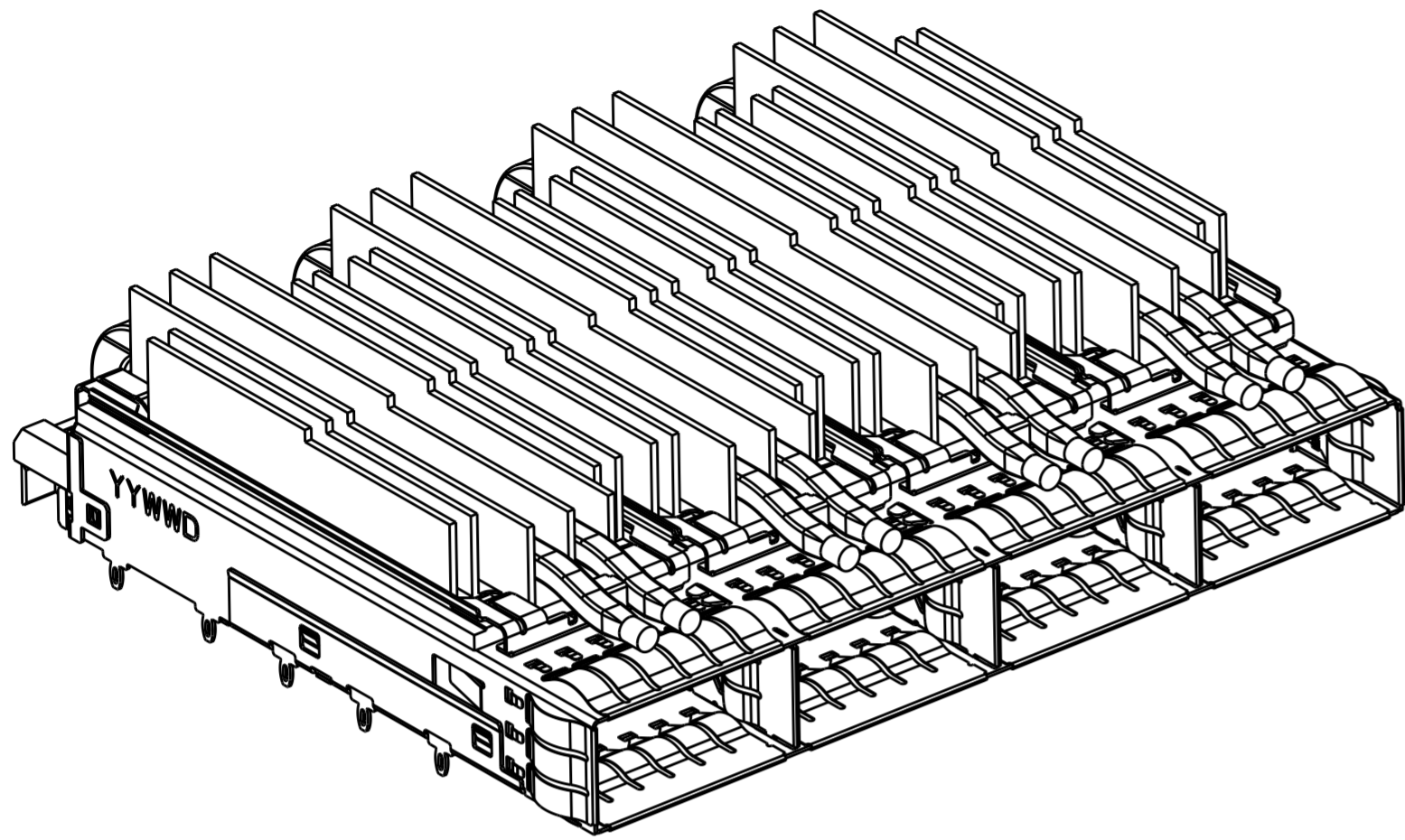
SCALE 2:1



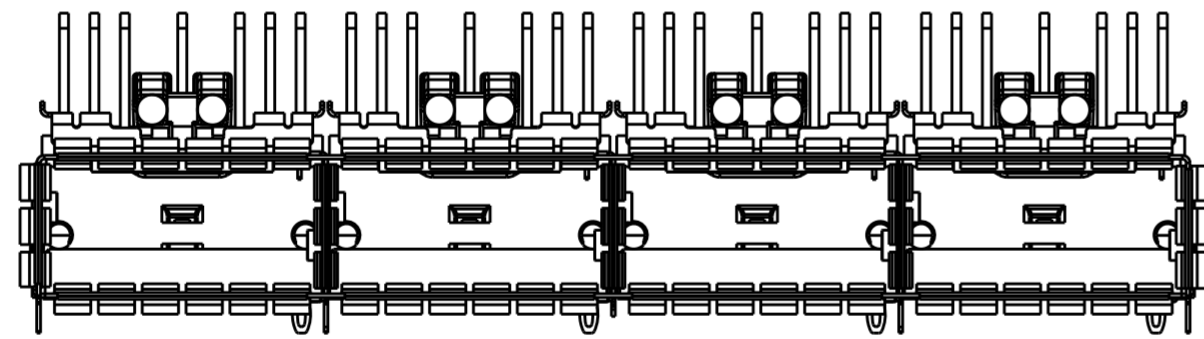
THIS DRAWING IS A CONTROLLED DOCUMENT.		DWN JASON YANG 04JUN2014	 TE Connectivity	
		CHK SEAN HAN 07JUN2014		
DIMENSIONS: mm		TOLERANCES UNLESS OTHERWISE SPECIFIED:		NAME RECEPTACLE CAGE ASSEMBLY WITH HEAT SINKS AND LIGHT PIPES, THRU BEZEL, 1X4, QSFP28, SPRING
		0 PLC ±	PRODUCT SPEC 108-19428	SIZE A2
MATERIAL SEE NOTES		1 PLC ±0.25	APPLICATION SPEC 114-32023	CAGE CODE 00779
		2 PLC ±0.2	WEIGHT -	DRAWING NO C-2170747
		3 PLC ±	CUSTOMER DRAWING	RESTRICTED TO -
		4 PLC ±	SCALE 1:1	SHEET 5 OF 13
		ANGLES ±		REV C
		FINISH -		

THIS DRAWING IS UNPUBLISHED. RELEASED FOR PUBLICATION 20
 © COPYRIGHT 20 BY - ALL RIGHTS RESERVED.

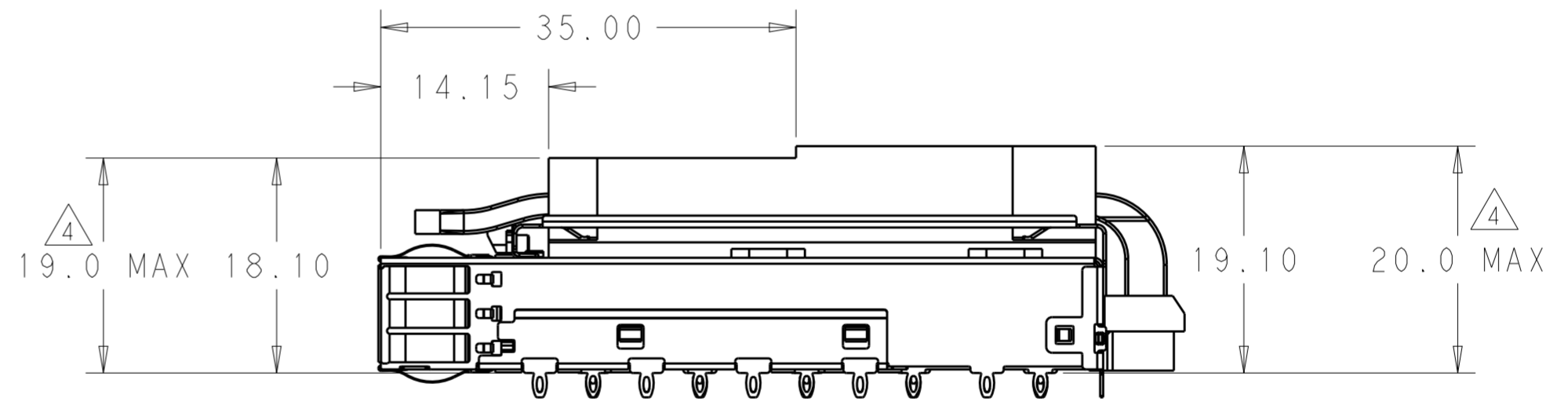
REVISIONS				
P	LTR	DESCRIPTION	DATE	APVD
-		SEE SHEET 1	-	-




2-2170747-8 AS SHOWN
 WITH CUSTOMIZED HEAT SINK
 SCALE 2:1



SCALE 2:1

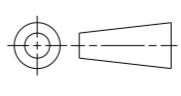


THIS DRAWING IS A CONTROLLED DOCUMENT.		DWN JASON YANG 04 JUN 2014	 TE Connectivity	
		CHK SEAN HAN 07 JUN 2014		
DIMENSIONS:		APVD	NAME	
mm	TOLERANCES UNLESS OTHERWISE SPECIFIED:	PRODUCT SPEC	RECEPTACLE CAGE ASSEMBLY WITH HEAT SINKS AND LIGHT PIPES, THRU BEZEL, 1X4, QSFP28, SPRING	
	0 PLC ±-	108-19428	SIZE	CAGE CODE
	1 PLC ±0.25	APPLICATION SPEC	A2	00779
	2 PLC ±0.2	114-32023	DRAWING NO	C-2170747
	3 PLC ±-	WEIGHT	RESTRICTED TO	
	4 PLC ±-	CUSTOMER DRAWING	-	
MATERIAL	FINISH	SCALE	SHEET	REV
SEE NOTES	SEE NOTES	1:1	6 OF 13	C

THIS DRAWING IS UNPUBLISHED. RELEASED FOR PUBLICATION 20
 © COPYRIGHT 20 BY - ALL RIGHTS RESERVED.

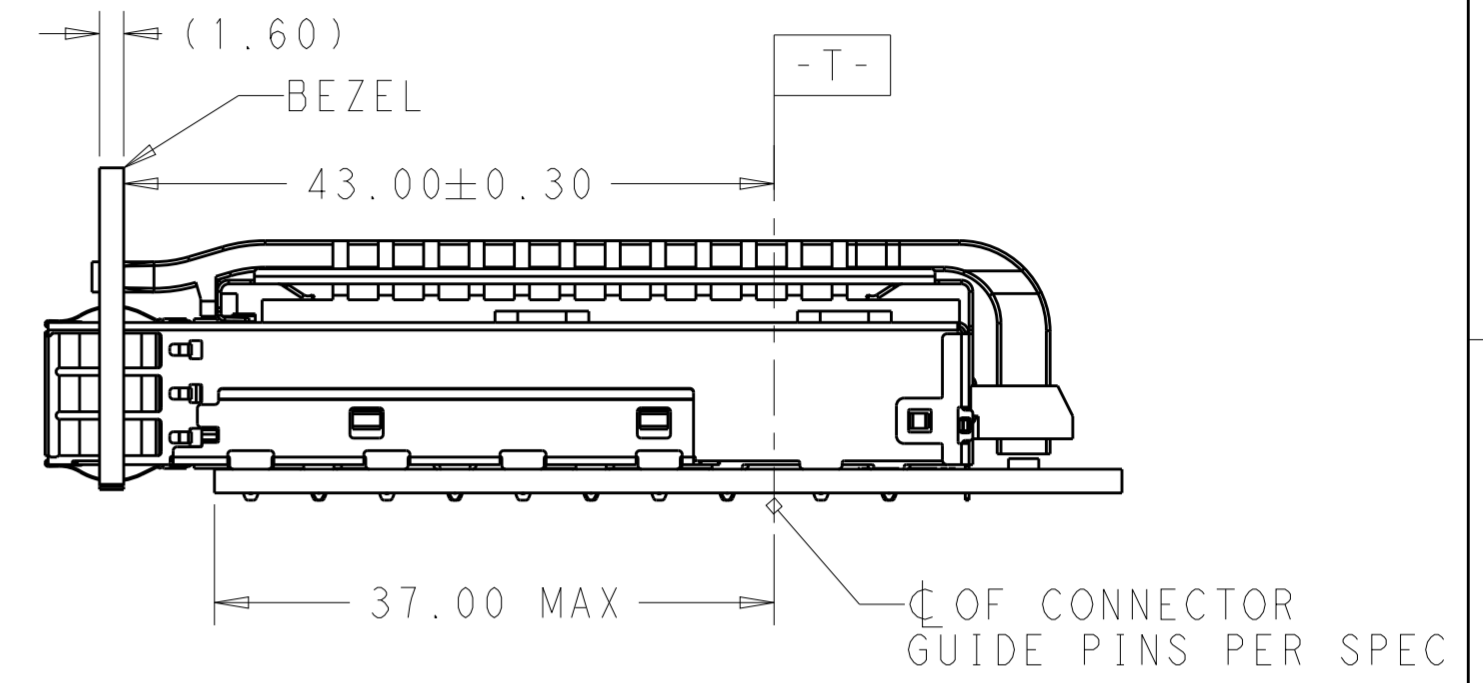
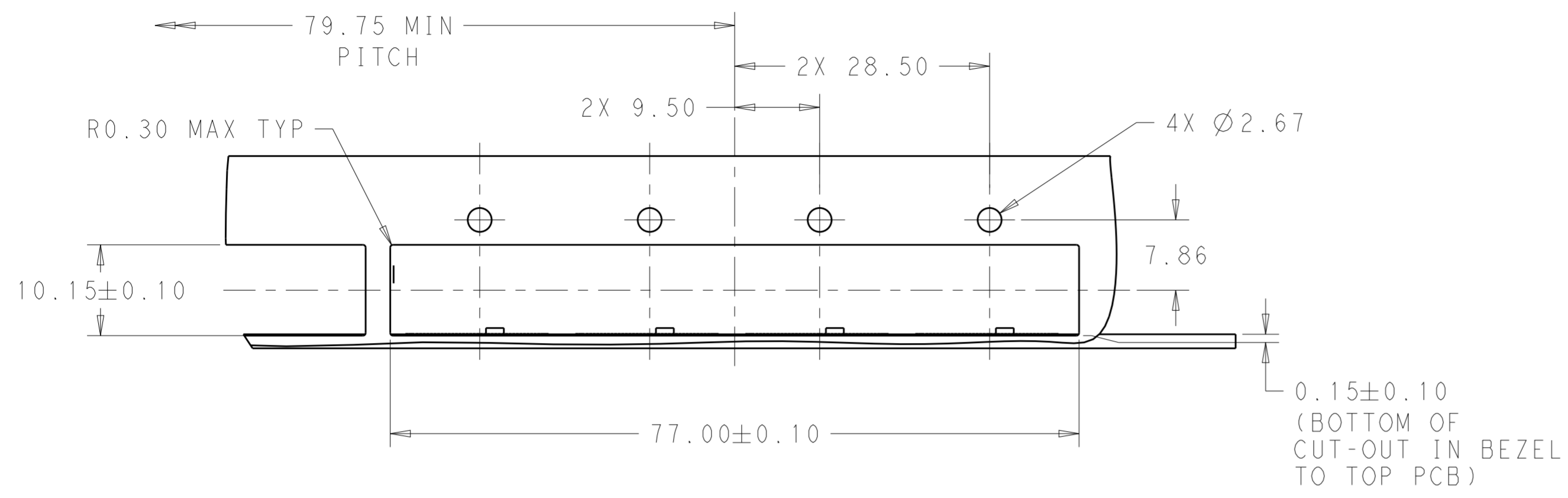
REVISIONS				
P	LTR	DESCRIPTION	DATE	APVD
-		SEE SHEET 1	-	-

1	16.0	SAN	COATED QUAD LP	5-2170747-2
0	23.0	NETWORKING	QUAD LP	4-2170747-6
0	16.0	SAN	QUAD LP	4-2170747-5
0	13.7	PCI	QUAD LP	4-2170747-4
1	23.0	NETWORKING	QUAD LP	4-2170747-3
1	16.0	SAN	QUAD LP	4-2170747-2
1	13.7	PCI	QUAD LP	4-2170747-1
1	20.3	CUSTOMIZED	DUAL LP	2-2170747-8
1	18.22	CUSTOMIZED	DUAL LP	2-2170747-7
0	23.0	NETWORKING	DUAL LP	2-2170747-6
0	16.0	SAN	DUAL LP	2-2170747-5
0	13.7	PCI	DUAL LP	2-2170747-4
1	23.0	NETWORKING	DUAL LP	2-2170747-3
1	16.0	SAN	DUAL LP	2-2170747-2
1	13.7	PCI	DUAL LP	2-2170747-1
0	14.45	CUSTOMIZED	SINGLE LP	2170747-9
0	18.05	CUSTOMIZED	SINGLE LP	2170747-8
0	18.05	CUSTOMIZED	SINGLE LP	2170747-7 ¹³
0	23.0	NETWORKING	SINGLE LP	2170747-6
0	16.0	SAN	SINGLE LP	2170747-5
0	13.7	PCI	SINGLE LP	2170747-4
1	23.0	NETWORKING	SINGLE LP	2170747-3
1	16.0	SAN	SINGLE LP	2170747-2
1	13.7	PCI	SINGLE LP	2170747-1
# OF REAR PIN	DIM A	APPLICATION	LIGHT PIPE OPTION	PART NUMBER

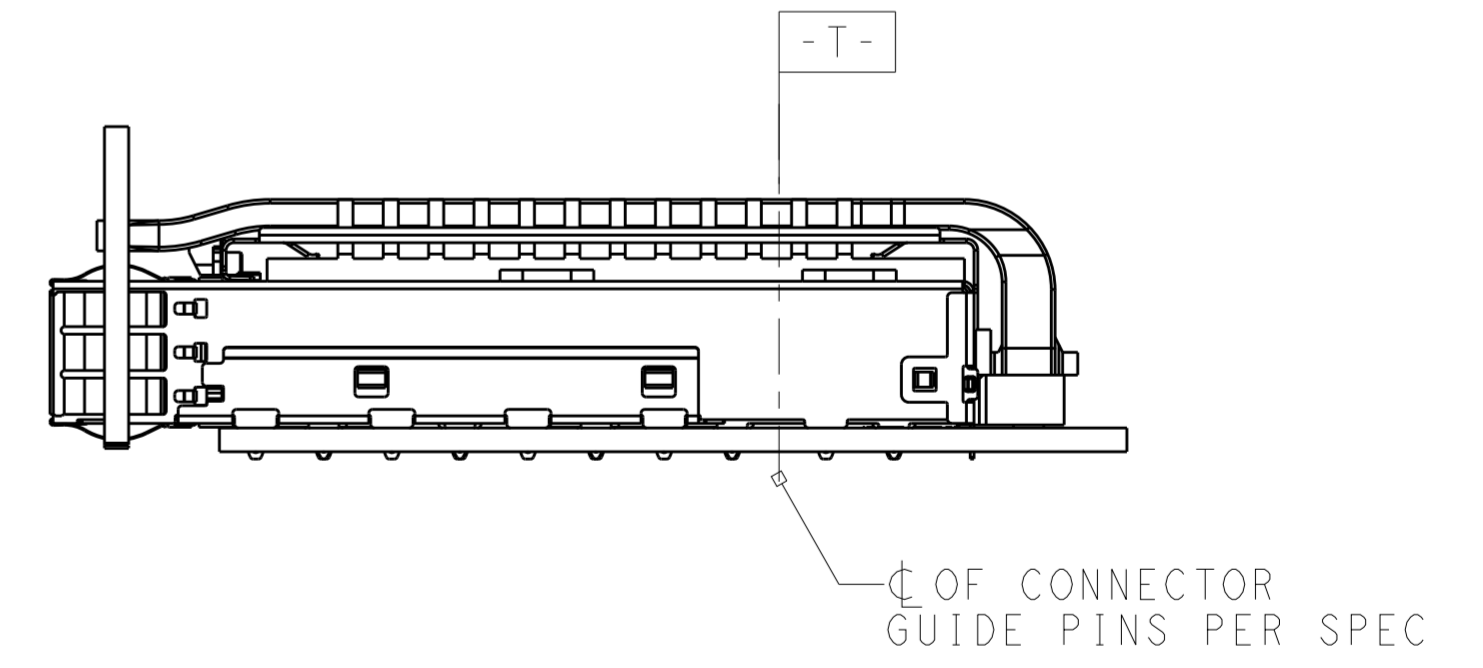
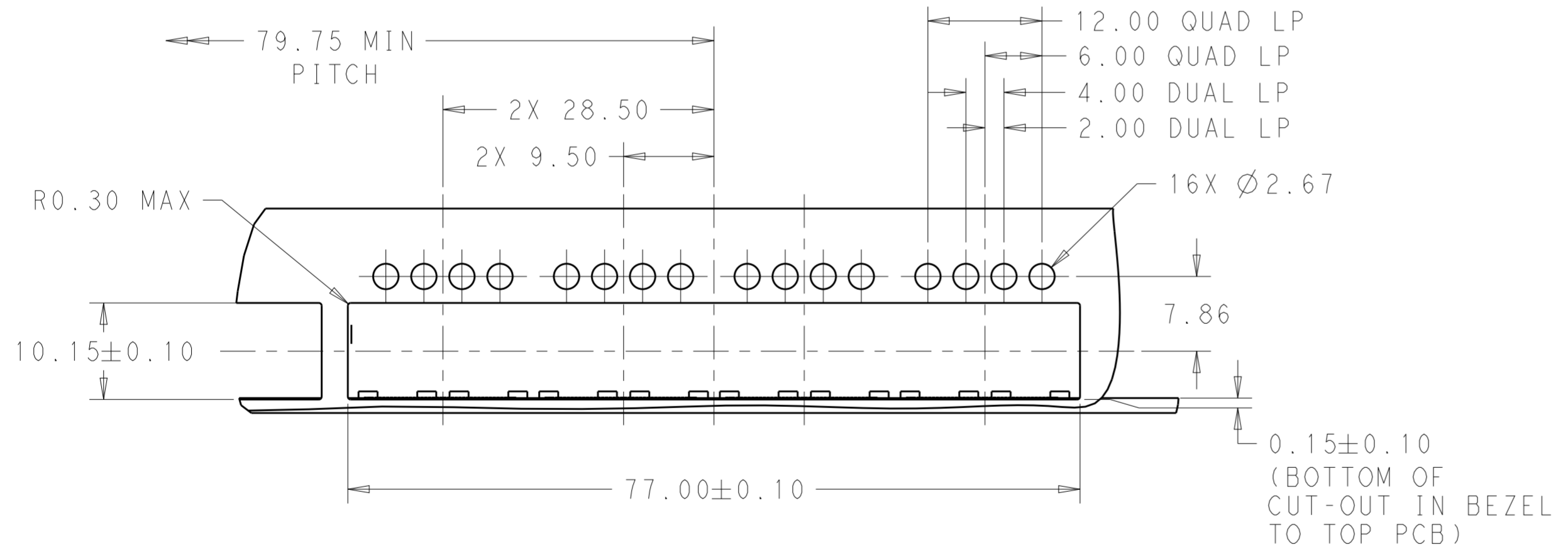
THIS DRAWING IS A CONTROLLED DOCUMENT.		DWN JASON YANG 04 JUN 2014	STE TE Connectivity	
		CHK SEAN HAN 07 JUN 2014		
DIMENSIONS: mm	TOLERANCES UNLESS OTHERWISE SPECIFIED:	APVD -	NAME RECEPTACLE CAGE ASSEMBLY WITH HEAT SINKS AND LIGHT PIPES, THRU BEZEL, 1X4, QSFP28, SPRING	
	0 PLC ± 1 PLC ±0.25 2 PLC ±0.2 3 PLC ± 4 PLC ± ANGLES ±	PRODUCT SPEC 108-19428	SIZE A2	CAGE CODE 00779
MATERIAL SEE NOTES	FINISH SEE NOTES	APPLICATION SPEC 114-32023	DRAWING NO C-2170747	RESTRICTED TO -
		WEIGHT -	SCALE 1:1 SHEET 7 OF 13 REV C	
		CUSTOMER DRAWING		

THIS DRAWING IS UNPUBLISHED. RELEASED FOR PUBLICATION 20
 © COPYRIGHT 20 BY - ALL RIGHTS RESERVED.

REVISIONS				
P	LTR	DESCRIPTION	DATE	APVD
-	-	SEE SHEET 1	-	-



SINGLE SIDE MOUNTING
SCALE 2:1

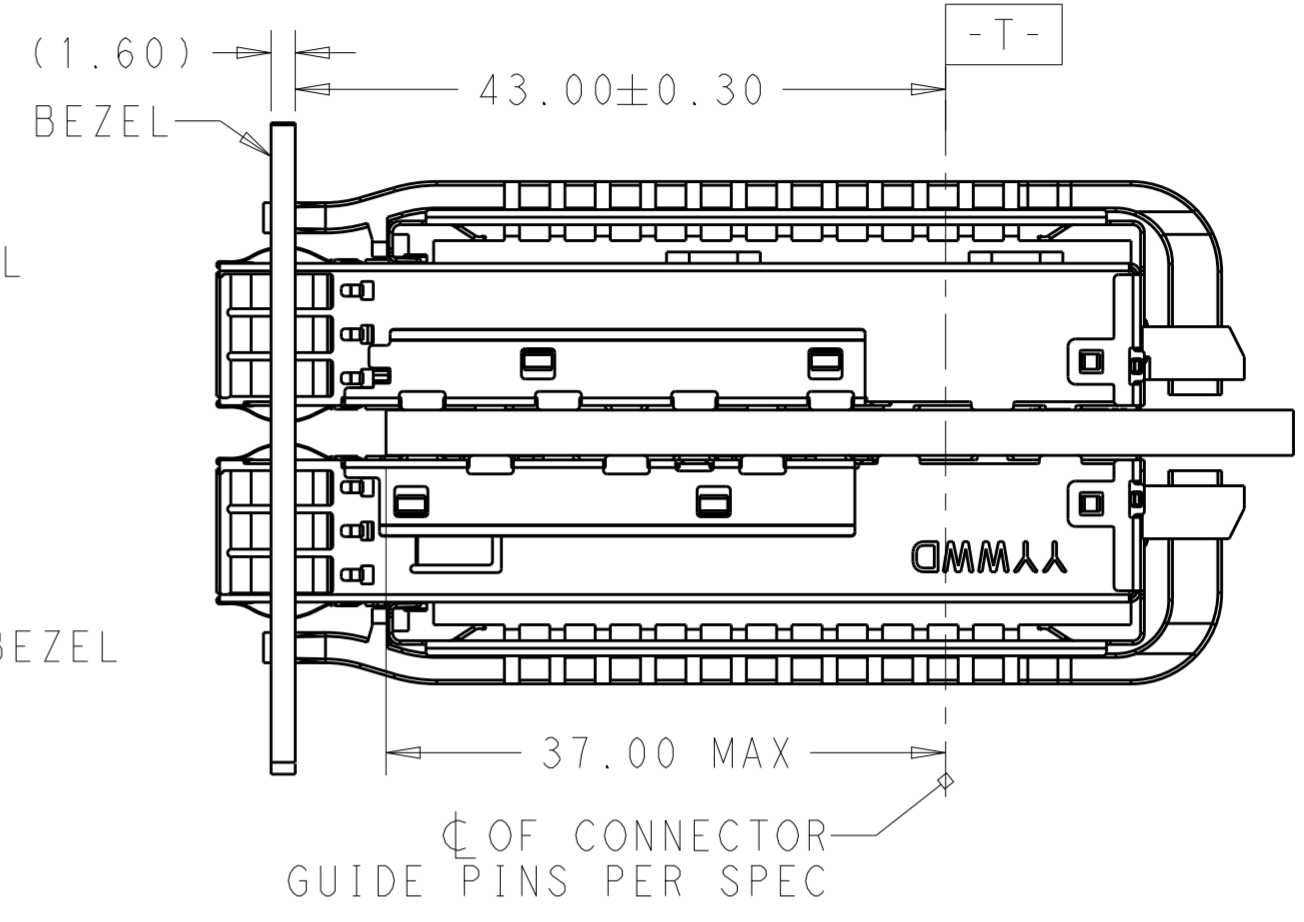
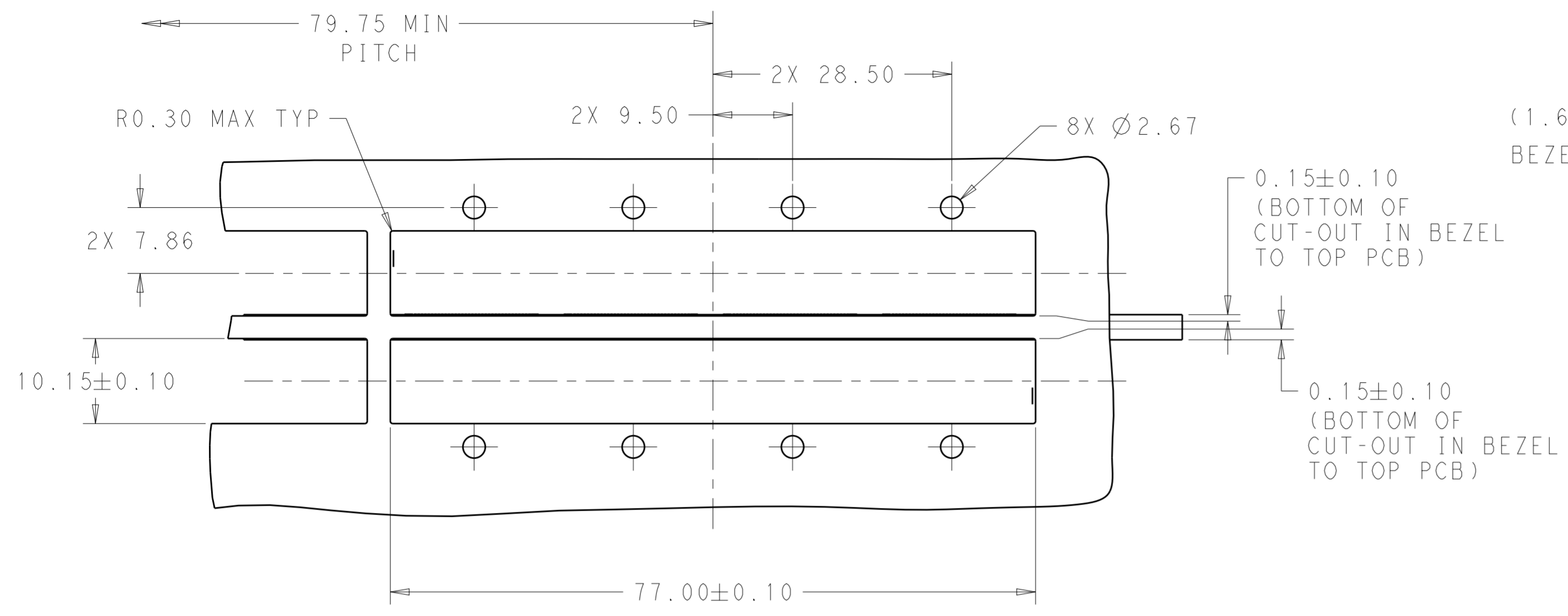


SINGLE SIDE MOUNTING
SCALE 2:1

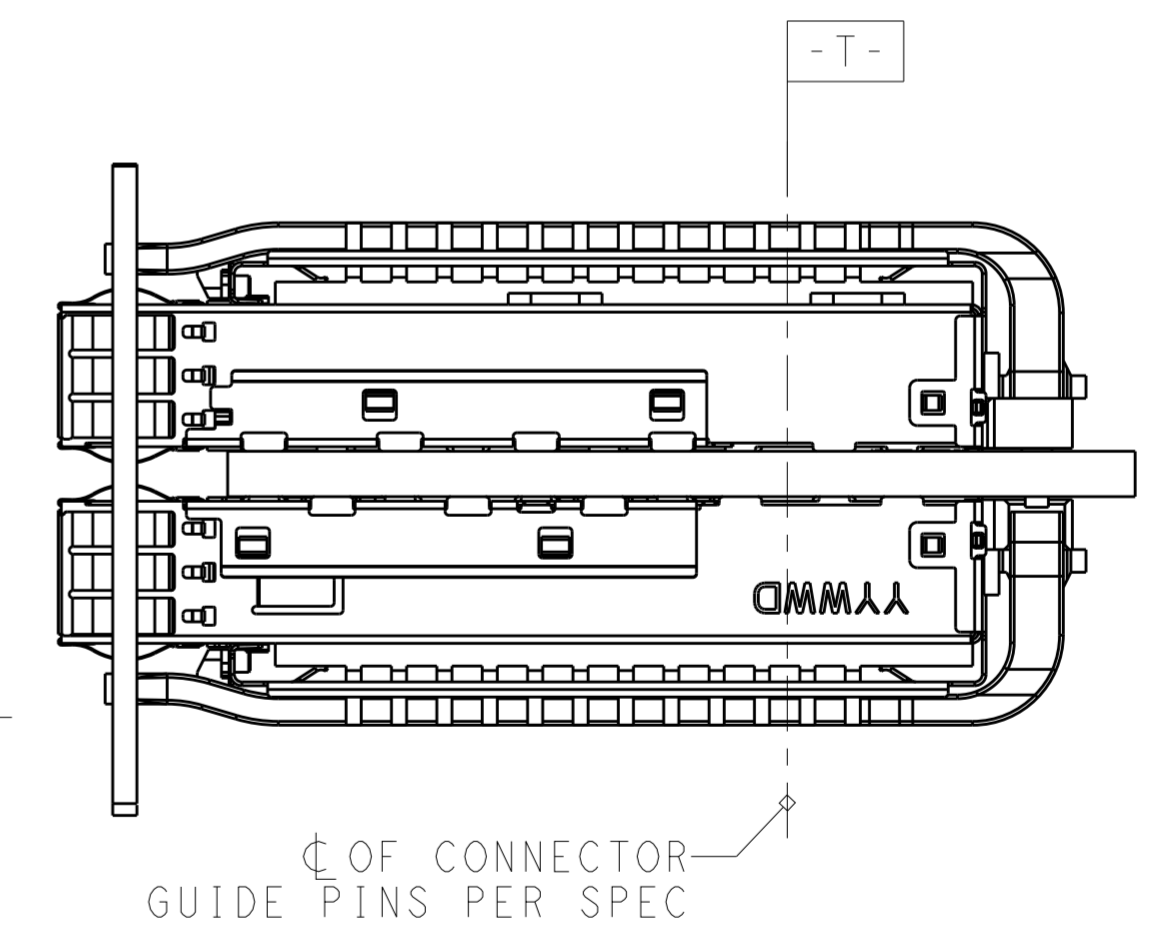
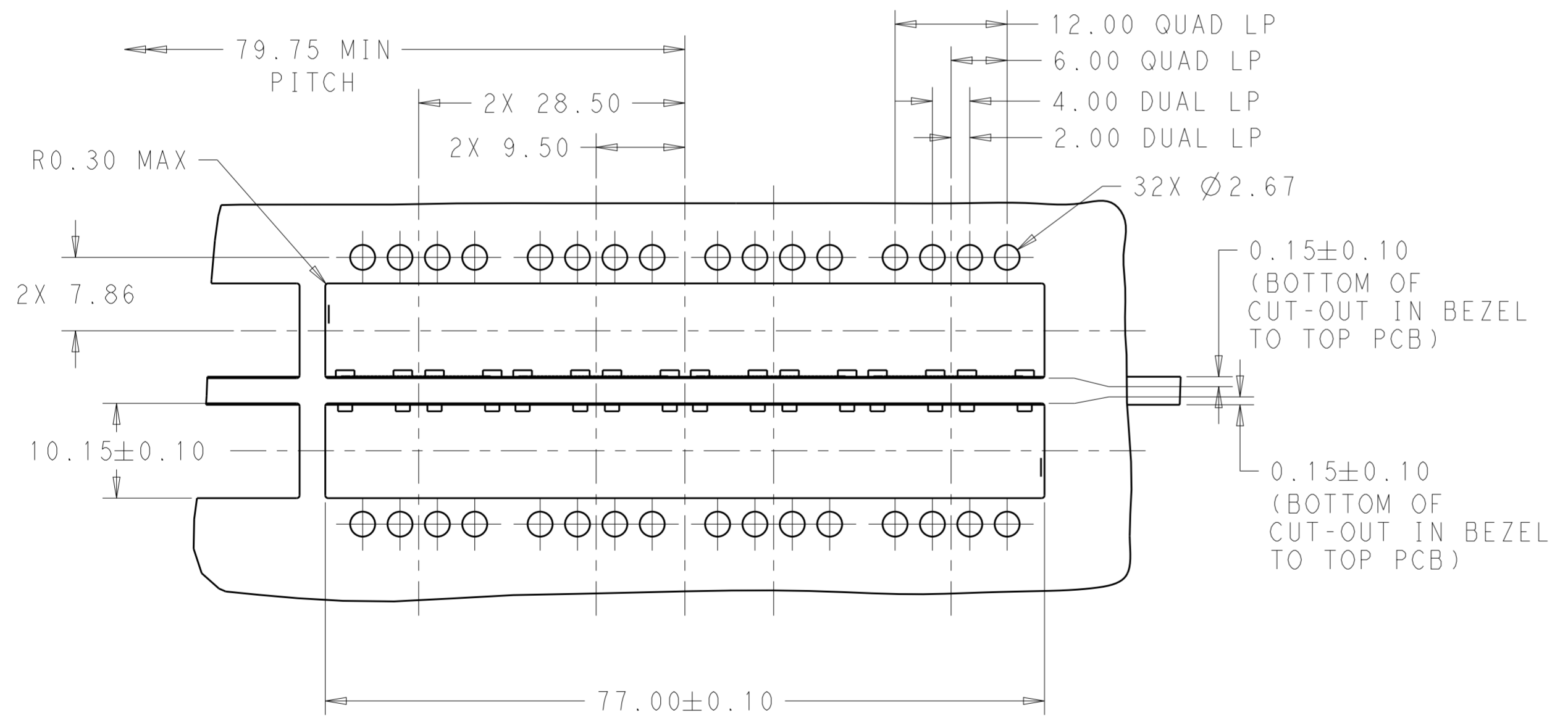
THIS DRAWING IS A CONTROLLED DOCUMENT.		DWN JASON YANG 04 JUN 2014	STE TE Connectivity	
		CHK SEAN HAN 07 JUN 2014		
DIMENSIONS: mm	TOLERANCES UNLESS OTHERWISE SPECIFIED:	APVD -	NAME RECEPTACLE CAGE ASSEMBLY WITH HEAT SINKS AND LIGHT PIPES, THRU BEZEL, 1X4, QSFP28, SPRING	
	0 PLC ± 1 PLC ±0.25 2 PLC ±0.2 3 PLC ± 4 PLC ± ANGLES ± FINISH ±	PRODUCT SPEC 108-19428	SIZE A200779	DRAWING NO C-2170747
MATERIAL SEE NOTES	SEE NOTES	APPLICATION SPEC 114-32023	RESTRICTED TO -	
		WEIGHT -	SCALE 1:1	SHEET 8 OF 13
		CUSTOMER DRAWING	REV C	

THIS DRAWING IS UNPUBLISHED. RELEASED FOR PUBLICATION 20
 © COPYRIGHT 20 BY - ALL RIGHTS RESERVED.

REVISIONS				
P	LTR	DESCRIPTION	DATE	APVD
-	-	SEE SHEET 1	-	-



BELLY TO BELLY MOUNTING
SCALE 2:1

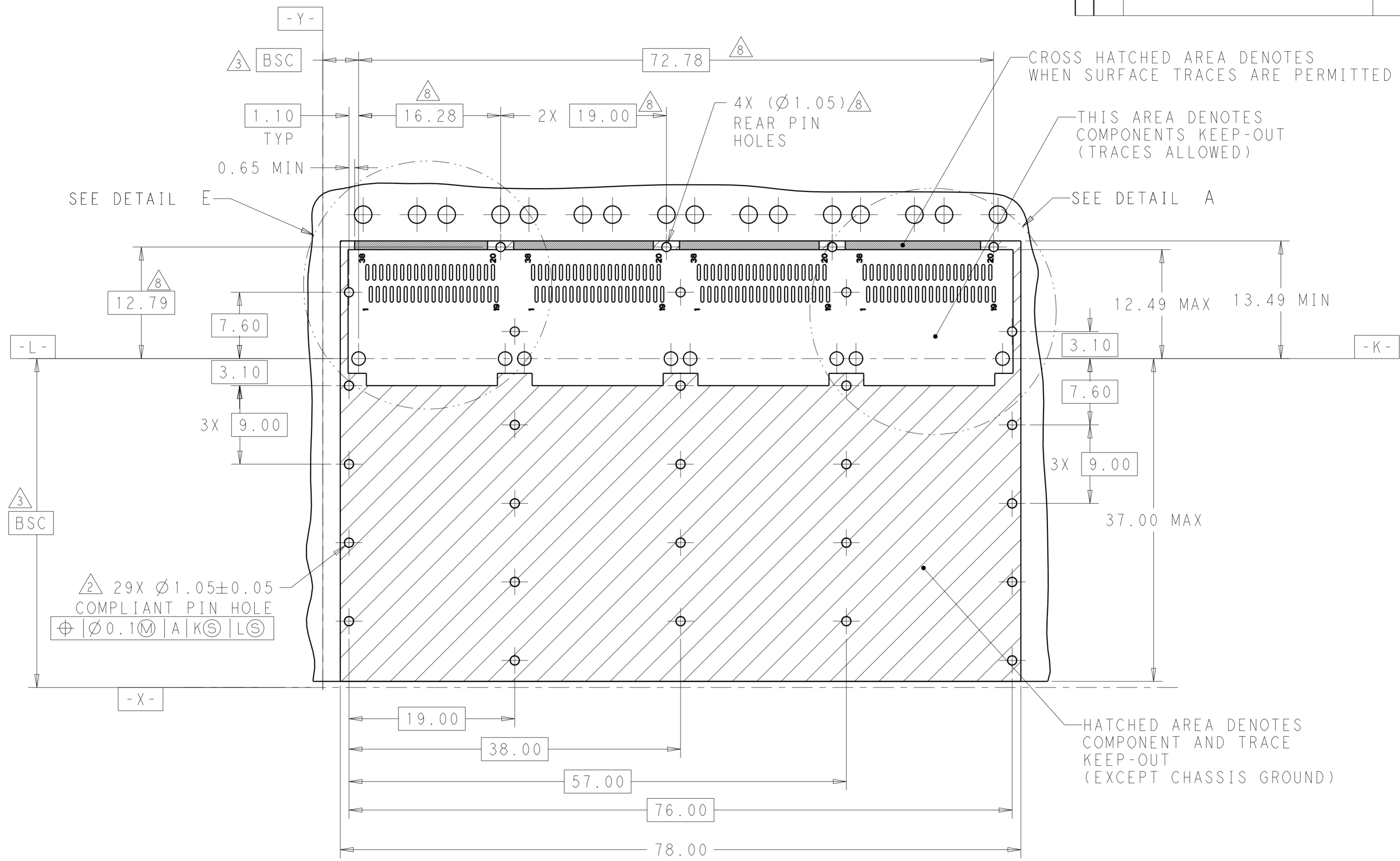


BELLY TO BELLY MOUNTING
SCALE 2:1

THIS DRAWING IS A CONTROLLED DOCUMENT.		DWN JASON YANG 04 JUN 2014	TE Connectivity	
		CHK SEAN HAN 07 JUN 2014		
DIMENSIONS:	TOLERANCES UNLESS OTHERWISE SPECIFIED:	APVD	NAME	
mm	0 PLC ± 1 PLC ±0.25 2 PLC ±0.2 3 PLC ± 4 PLC ± ANGLES ± FINISH	PRODUCT SPEC 108-19428	RECEPTACLE CAGE ASSEMBLY WITH HEAT SINKS AND LIGHT PIPES, THRU BEZEL, 1X4, QSFP28, SPRING	
MATERIAL SEE NOTES	SEE NOTES	APPLICATION SPEC 114-32023	SIZE A200779	DRAWING NO C-2170747
		WEIGHT	RESTRICTED TO	
		CUSTOMER DRAWING	SCALE 1:1	SHEET 9 OF 13 REV C

THIS DRAWING IS UNPUBLISHED. RELEASED FOR PUBLICATION 20
 © COPYRIGHT 20 BY - ALL RIGHTS RESERVED.

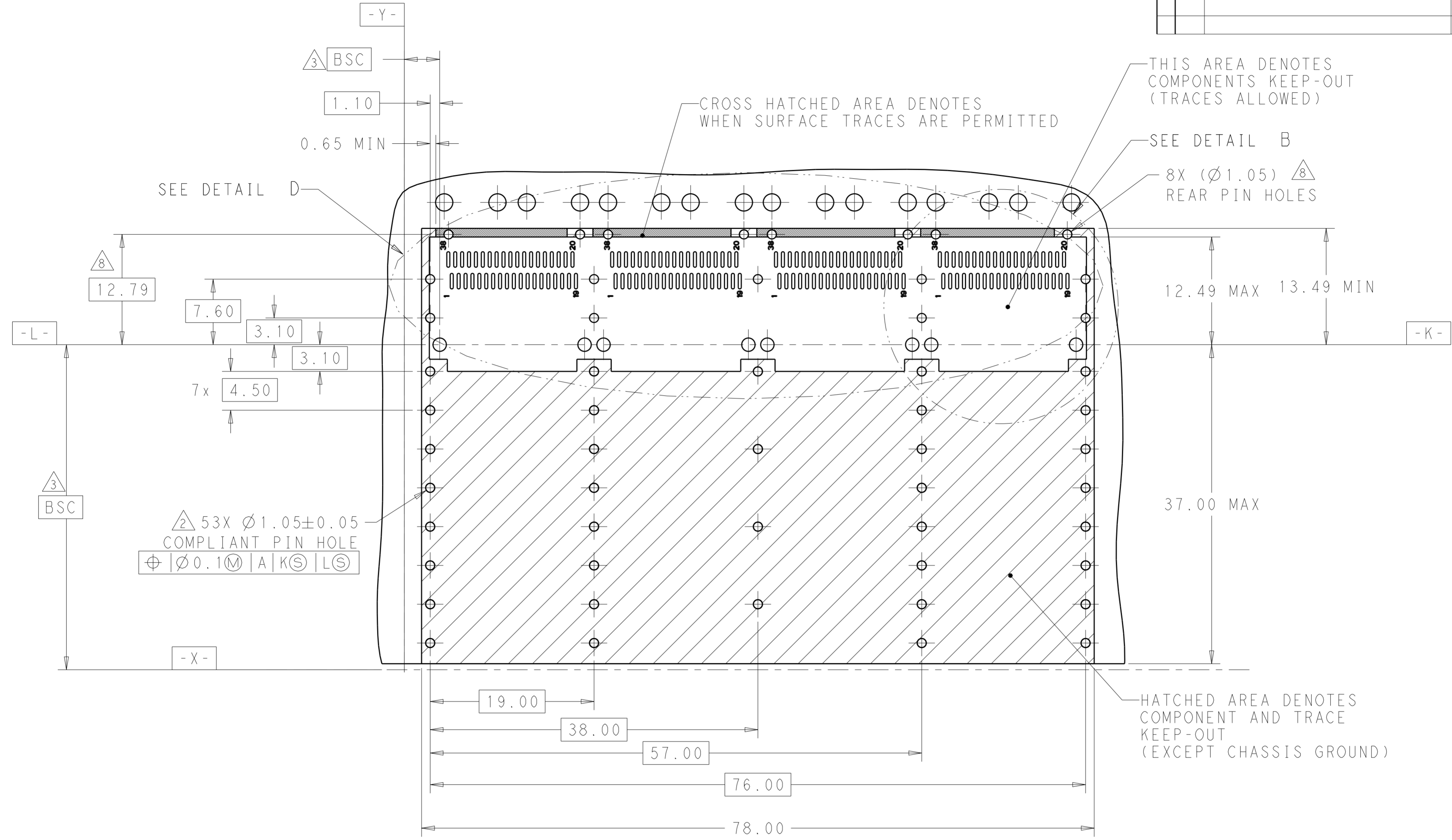
REVISIONS				
P	LTR	DESCRIPTION	DATE	APVD
-	-	SEE SHEET 1	-	-



RECOMMENDED PCB LAYOUT
 SINGLE TYPE
 PCB TOLERANCE: ±0.05
 SCALE 3:1

THIS DRAWING IS A CONTROLLED DOCUMENT.		DWN JASON YANG 04 JUN 2014	TE Connectivity	
		CHK SEAN HAN 07 JUN 2014		
DIMENSIONS: mm 		TOLERANCES UNLESS OTHERWISE SPECIFIED: 0 PLC ± 1 PLC ±0.25 2 PLC ±0.2 3 PLC ± 4 PLC ± ANGLES ± FINISH SEE NOTES		NAME RECEPTACLE CAGE ASSEMBLY WITH HEAT SINKS AND LIGHT PIPES, THRU BEZEL, 1X4, QSFP28, SPRING
MATERIAL SEE NOTES		PRODUCT SPEC 108-19428 APPLICATION SPEC 114-32023 WEIGHT -	SIZE A200779	DRAWING NO C-2170747 RESTRICTED TO -
		CUSTOMER DRAWING		SCALE 1:1 SHEET 10 OF 13 REV C

REVISIONS				
P	LTR	DESCRIPTION	DATE	APVD
-	-	SEE SHEET 1	-	-

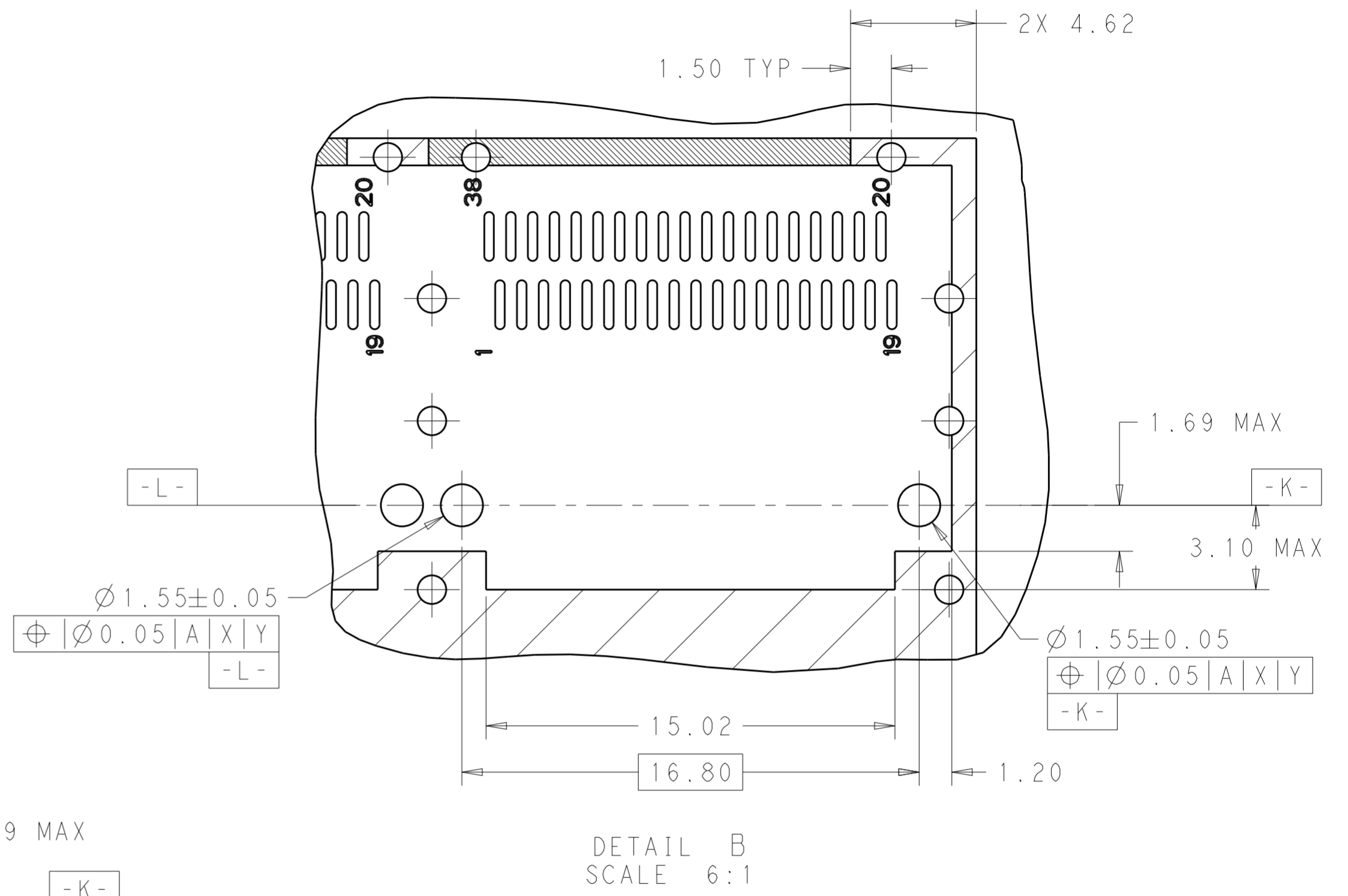
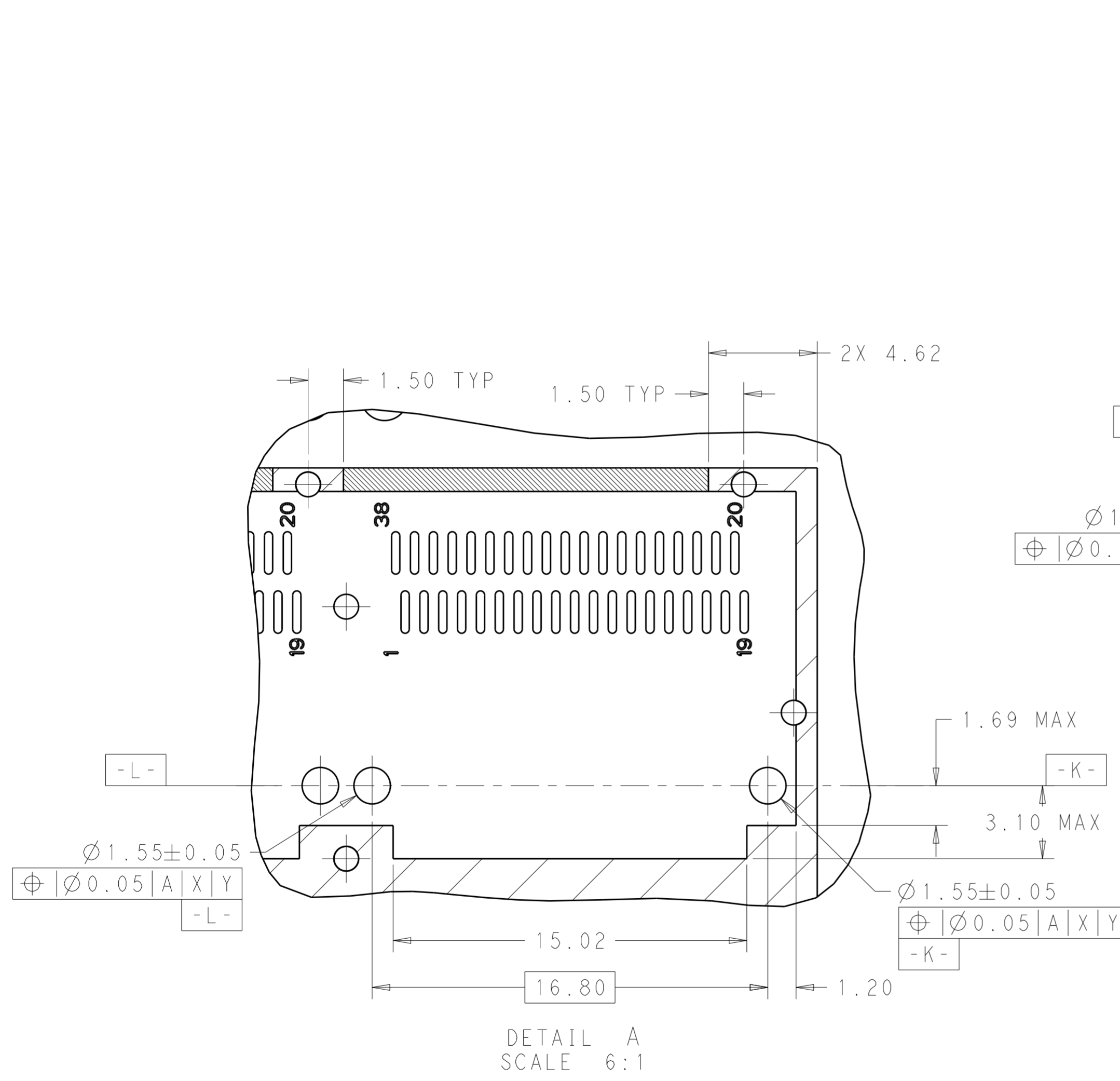


RECOMMENDED PCB LAYOUT
 BELLY TO BELLY TYPE
 PCB TOLERANCE: ±0.05
 SCALE 3:1

THIS DRAWING IS A CONTROLLED DOCUMENT.		DWN JASON YANG 04 JUN 2014	STE TE Connectivity
		CHK SEAN HAN 07 JUN 2014	
DIMENSIONS: mm	TOLERANCES UNLESS OTHERWISE SPECIFIED: 0 PLC ± 1 PLC ±0.25 2 PLC ±0.2 3 PLC ± 4 PLC ± ANGLES ± FINISH	APVD -	NAME RECEPTACLE CAGE ASSEMBLY WITH HEAT SINKS AND LIGHT PIPES, THRU BEZEL, 1X4, QSFP28, SPRING
MATERIAL SEE NOTES	SEE NOTES	PRODUCT SPEC 108-19428 APPLICATION SPEC 114-32023 WEIGHT -	SIZE A200779
		CUSTOMER DRAWING	DRAWING NO C-2170747
		SCALE 1:1	RESTRICTED TO -
		SHEET 11 OF 13	REV C

THIS DRAWING IS UNPUBLISHED. RELEASED FOR PUBLICATION 20
 © COPYRIGHT 20 BY - ALL RIGHTS RESERVED.

REVISIONS				
P	LTR	DESCRIPTION	DATE	APVD
-	-	SEE SHEET 1	-	-



THIS DRAWING IS A CONTROLLED DOCUMENT.		DWN JASON YANG 04 JUN 2014	STE TE Connectivity
		CHK SEAN HAN 07 JUN 2014	
DIMENSIONS: mm	TOLERANCES UNLESS OTHERWISE SPECIFIED:	APVD -	NAME RECEPTACLE CAGE ASSEMBLY WITH HEAT SINKS AND LIGHT PIPES, THRU BEZEL, 1X4, QSFP28, SPRING
0 PLC ±	1 PLC ±0.25	PRODUCT SPEC 108-19428	SIZE A200779
2 PLC ±0.2	3 PLC ±	APPLICATION SPEC 114-32023	CAGE CODE C-2170747
4 PLC ±	ANGLES ±	WEIGHT -	DRAWING NO -
MATERIAL SEE NOTES	FINISH SEE NOTES	CUSTOMER DRAWING	RESTRICTED TO -
		SCALE 1:1	SHEET 12 OF 13
		REV C	