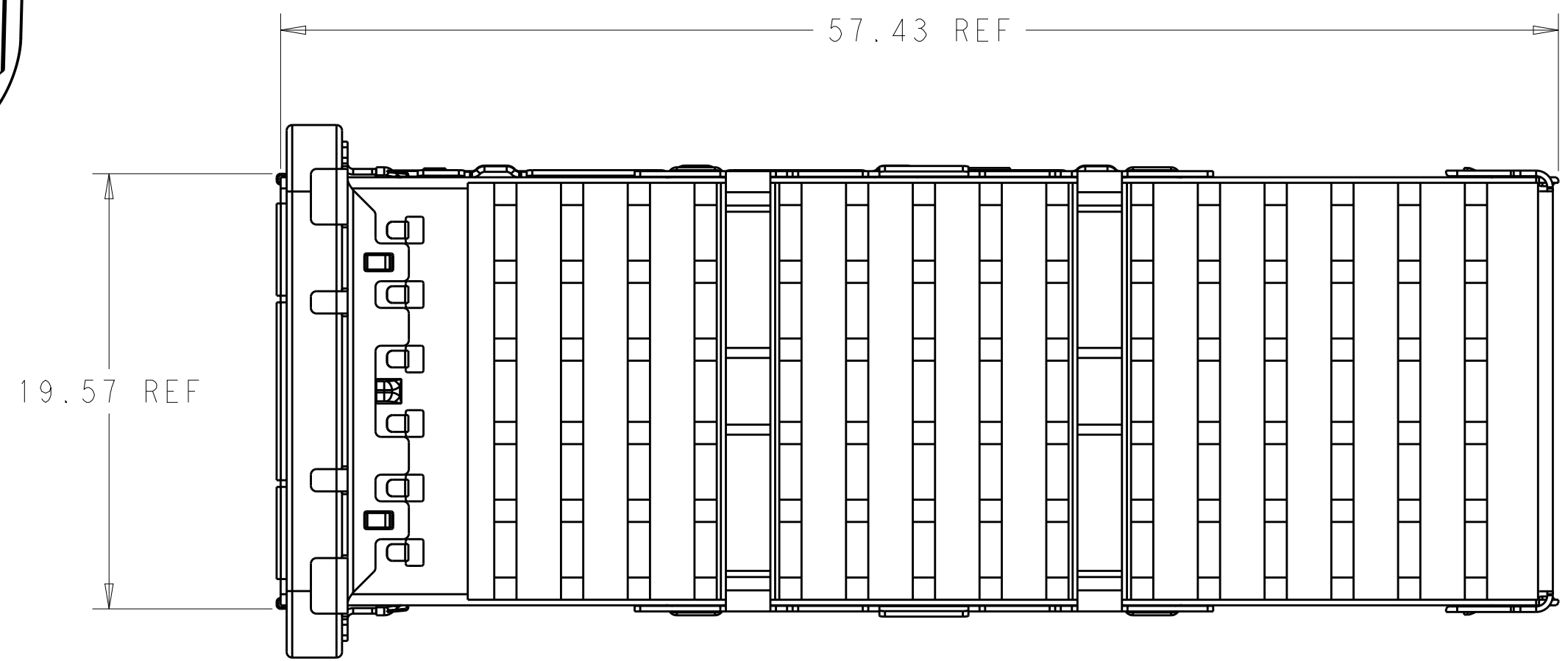
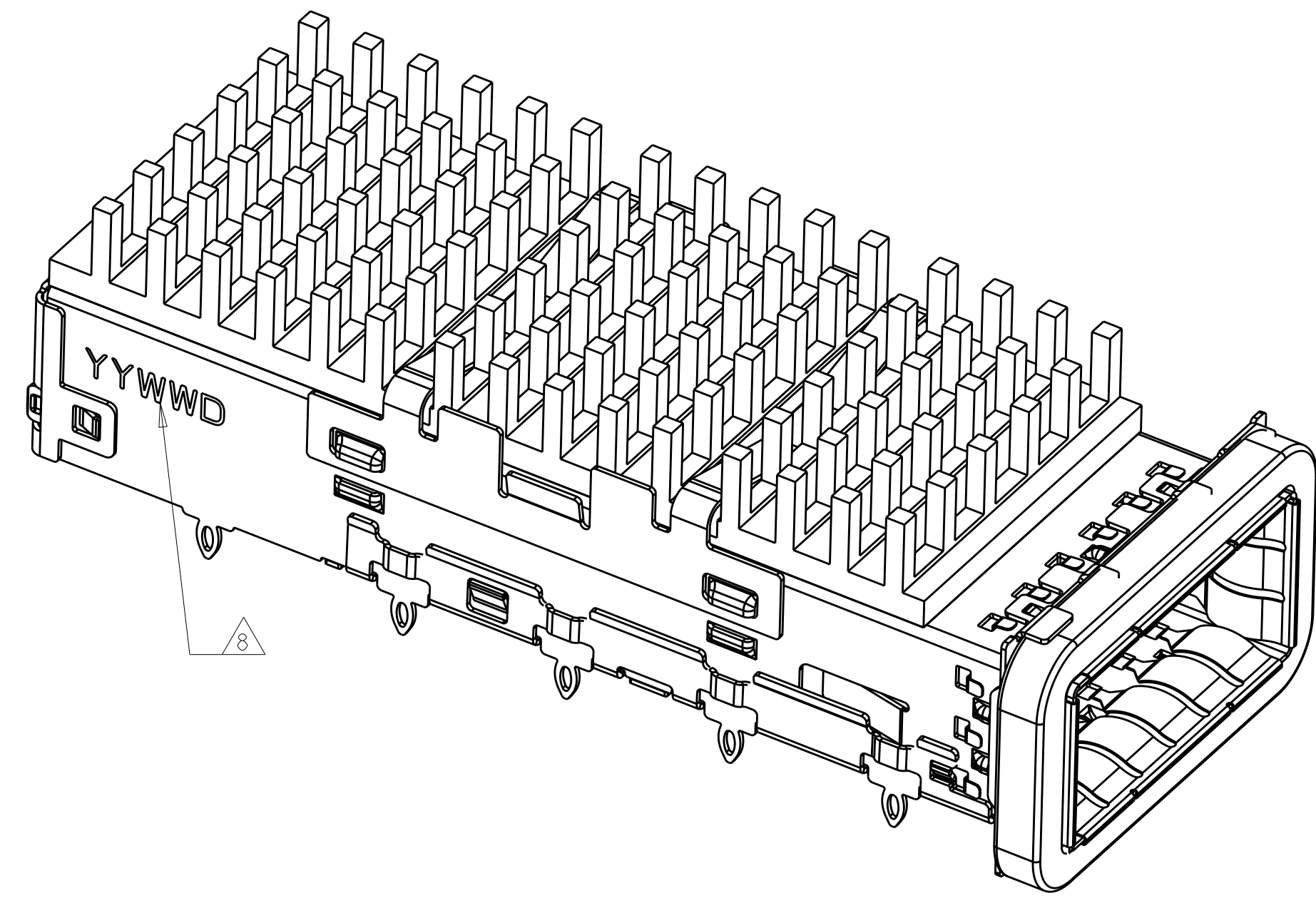
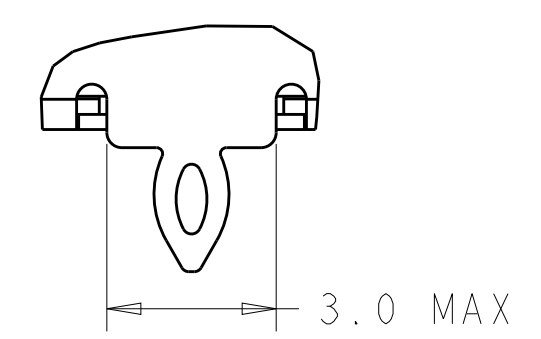
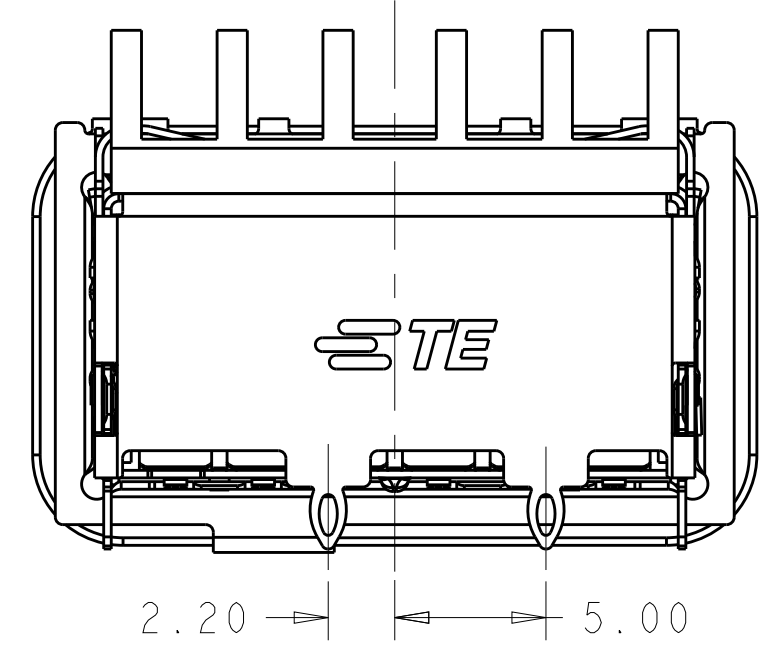
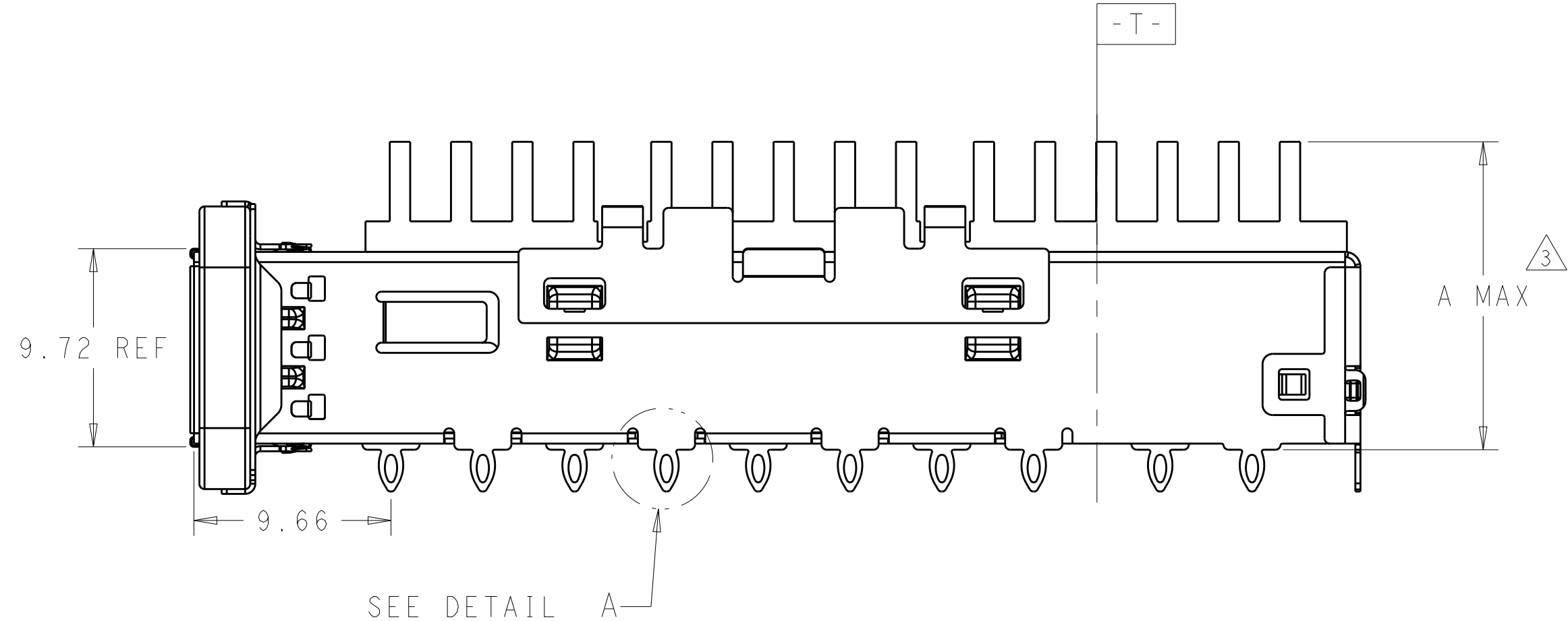
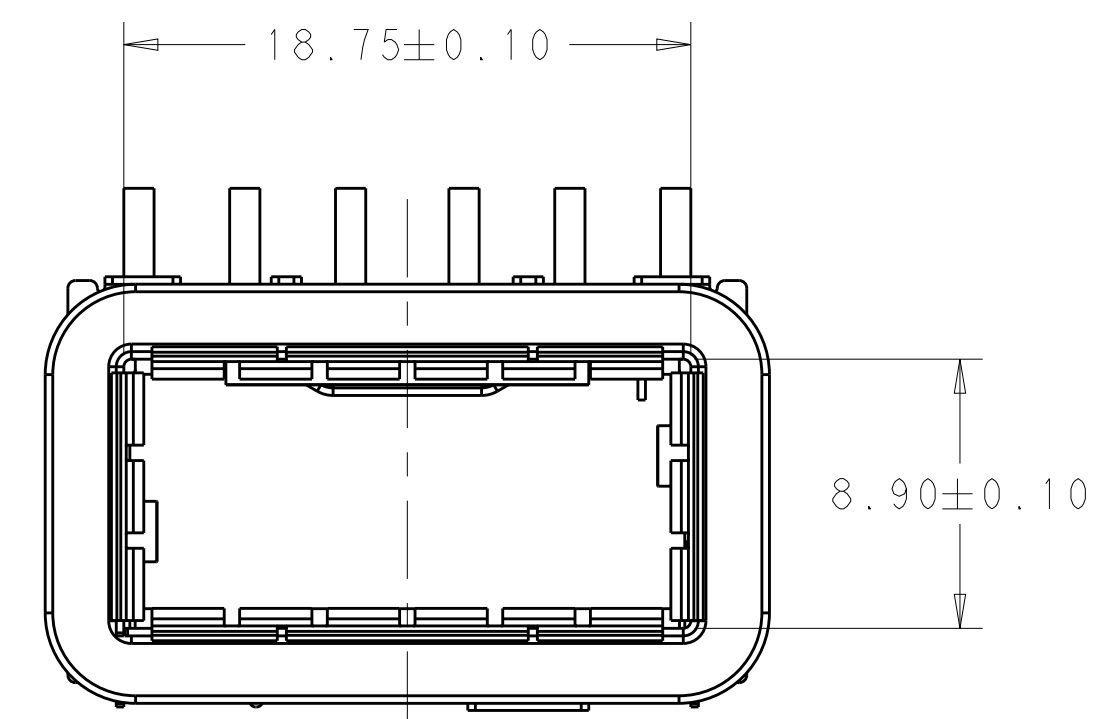


LOC	DIST	REVISIONS			
		REV	DATE	BY	APPV
		A	RELEASE	30DEC2015	JY SH

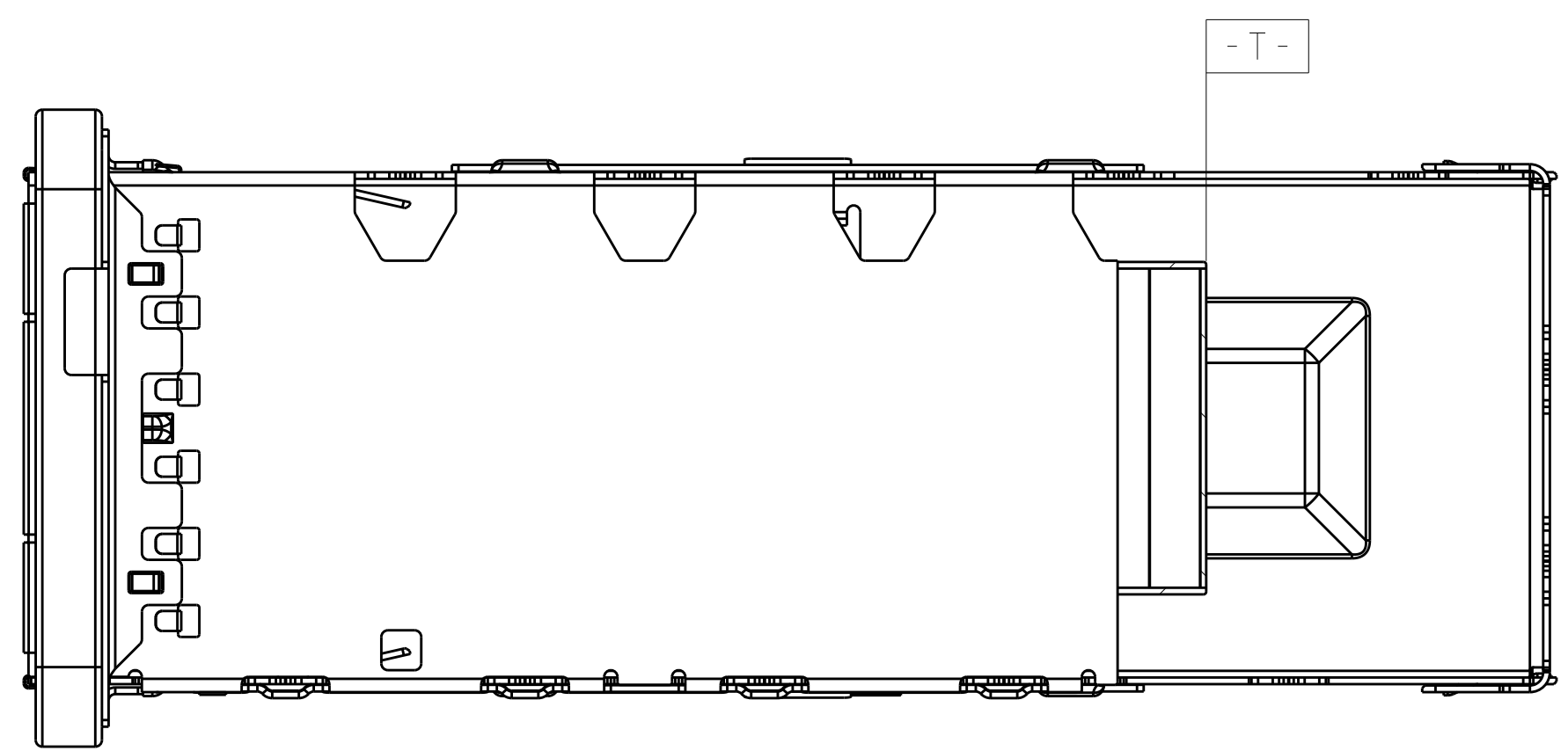


- MATERIAL:
 CAGE MATERIAL : 0.25 THICK NICKEL SILVER.
 SPRING MATERIAL: COPPER ALLOY
 HEAT SINK MATERIAL: ALUMINUM
 CLIP MATERIAL: STAINLESS STEEL
 EMI GASKET: PLATED FILLED SILICONE
- FINISH:
 SPRING: NICKEL PLATING
 HEAT SINK: BLACK ANODIZE

- △ DIMENSION APPLIES WITH MODULE INSTALLED IN THE CAGE TO TOP OF HEAT SINK.
- △ REFERENCE APPLICATION SPEC 114-32023 FOR RECOMMENDED DRILL HOLE DIAMETER AND PLATING THICKNESS.
- △ DATUM AND BASIC DIMENSIONS ESTABLISHED BY CUSTOMERS.
- 6. MINIMUM PC BOARD THICKNESS :
 SINGLES SIDED: 1.57 MIN
 DOUBLE SIDED: 3.00 MIN
- △ DATUM **-A-** IS TOP SURFACE OF THE HOST BOARD.
- △ DATE CODE (YYWWD) MARKED APPROXIMATELY AS SHOWN
- 9. MATES WITH QSFP28 MSA COMPATIBLE TRANSCEIVER.



DETAIL A
SCALE 8:1



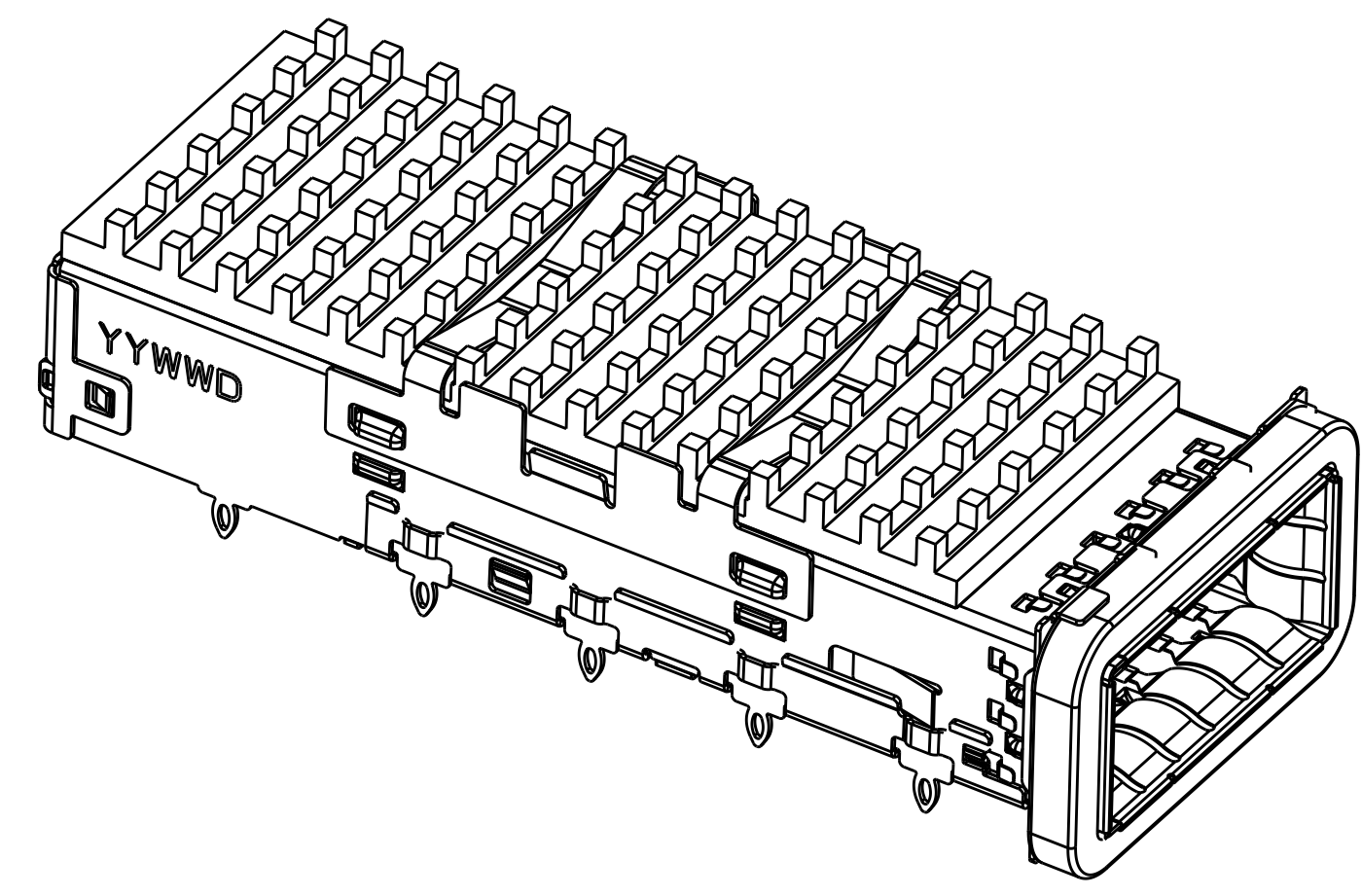
23.0	1	NETWORKING	2170753-9
16.0	1	SAN	2170753-8
13.7	1	PCI	2170753-7
23.0	0	NETWORKING	2170753-6
16.0	0	SAN	2170753-5
13.7	0	PCI	2170753-4
23.0	2	NETWORKING	2170753-3
16.0	2	SAN	2170753-2
13.7	2	PCI	2170753-1
DIM A	# REAR PINS	APPLICATION	PART NUMBER

2170753-2 AS SHOWN

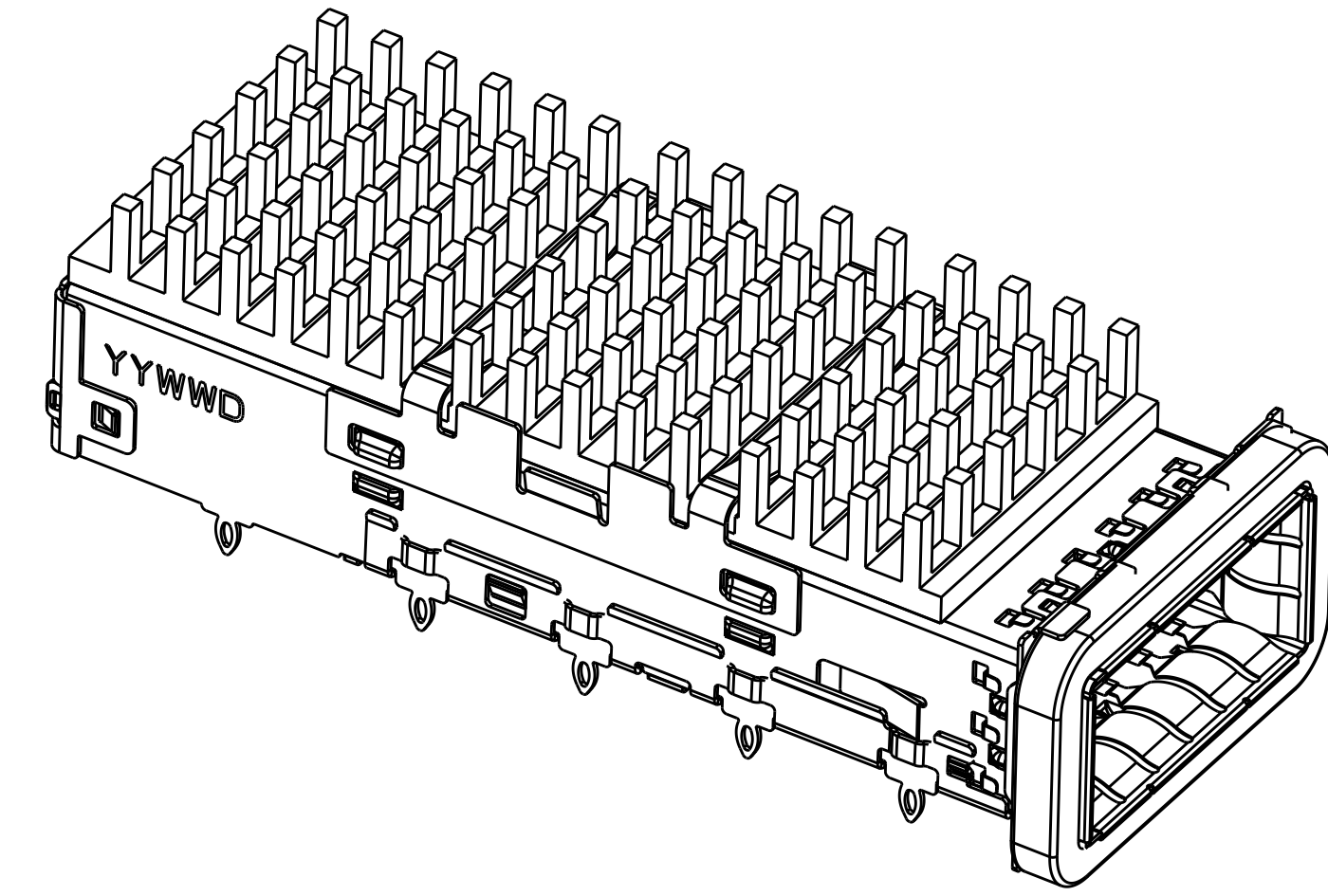
THIS DRAWING IS A CONTROLLED DOCUMENT.		OWN: JASON YANG 01APR2014	TE Connectivity
DIMENSIONS: mm		CHK: SEAN HAN 30DEC2015	
TOLERANCES UNLESS OTHERWISE SPECIFIED:		APVD: -	NAME: CAGE ASSEMBLY, QSFP28 1X1, THRU BEZEL, WITH EMI GASKET HEAT SINK
0 PLC ±0.25		PRODUCT SPEC: 108-19428	SIZE: A1
1 PLC ±0.25		APPLICATION SPEC: 114-32023	CAGE CODE: 00779
2 PLC ±0.20		WEIGHT: -	REV: A
3 PLC ±0.100		CUSTOMER DRAWING	SCALE: 4:1 SHEET 1 OF 5
4 PLC ±			
ANGLES			
FINISH			

LOC	DIST	REVISIONS			
P	LTN	DESCRIPTION	DATE	OWN	APVD
-	-	SEE SHEET 1	-	-	-

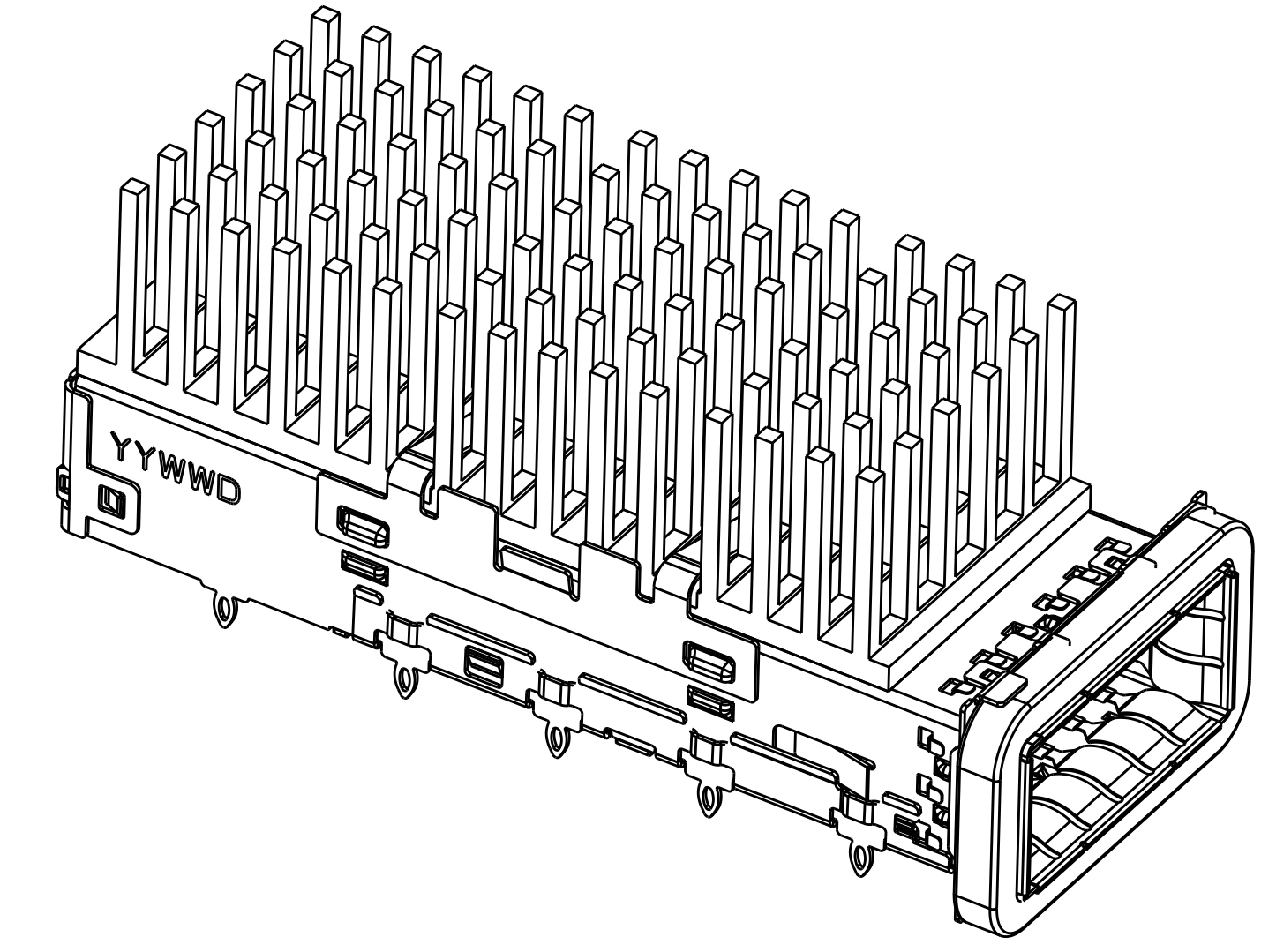
HEAT SINK OPTIONS



PCI HEAT SINK
SCALE 3:1

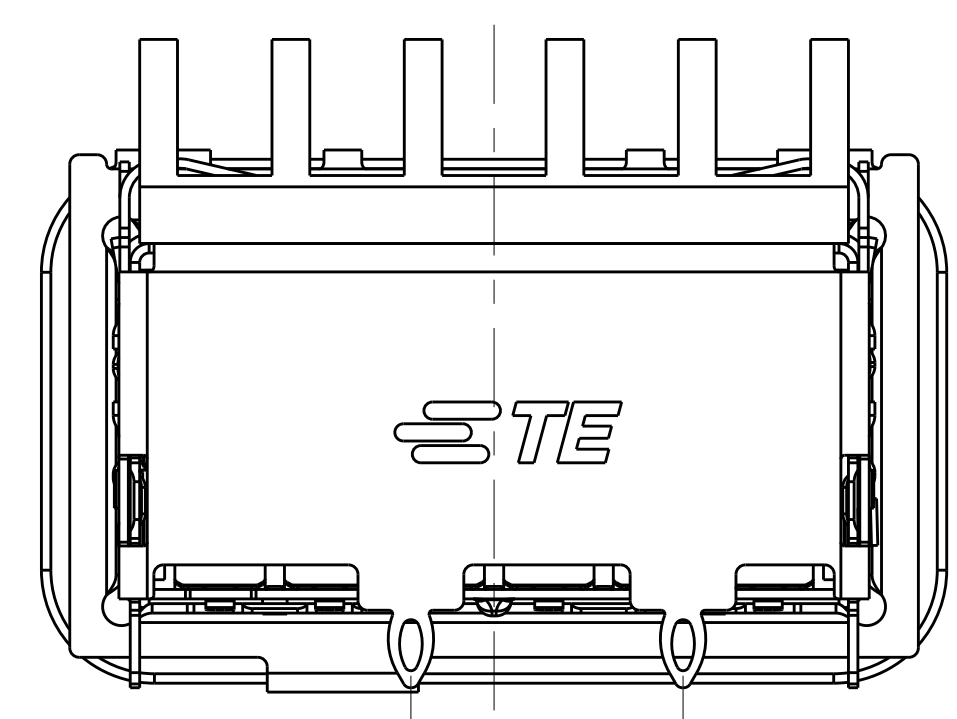


SAN HEAT SINK
SCALE 3:1

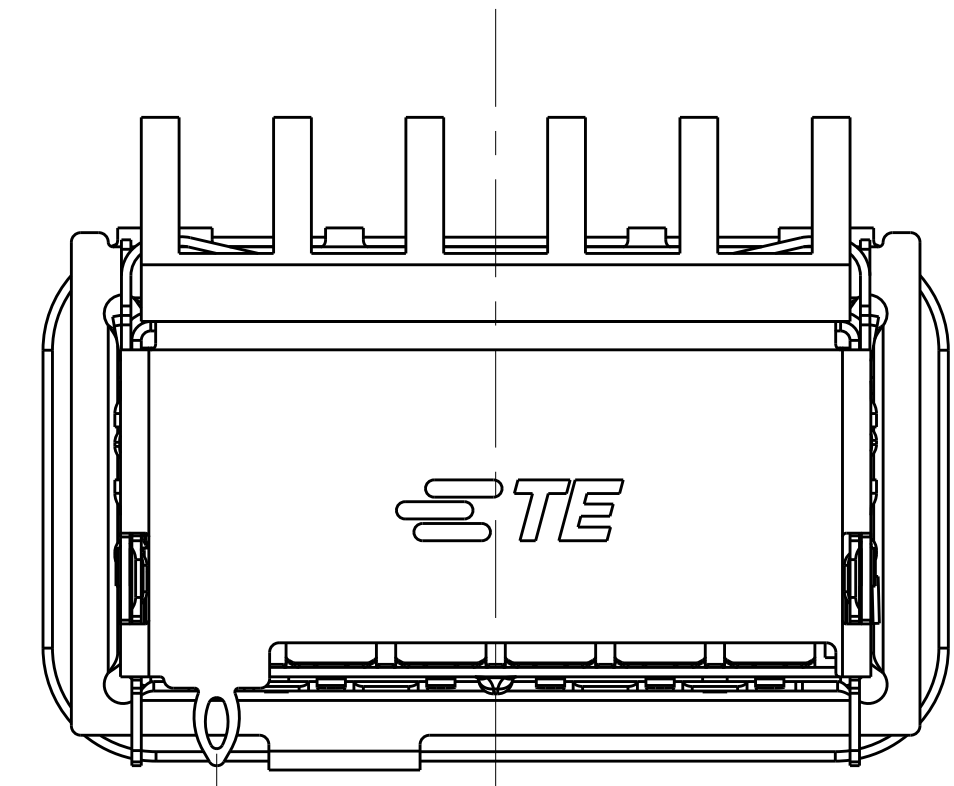


NETWORKING HEAT SINK
SCALE 3:1

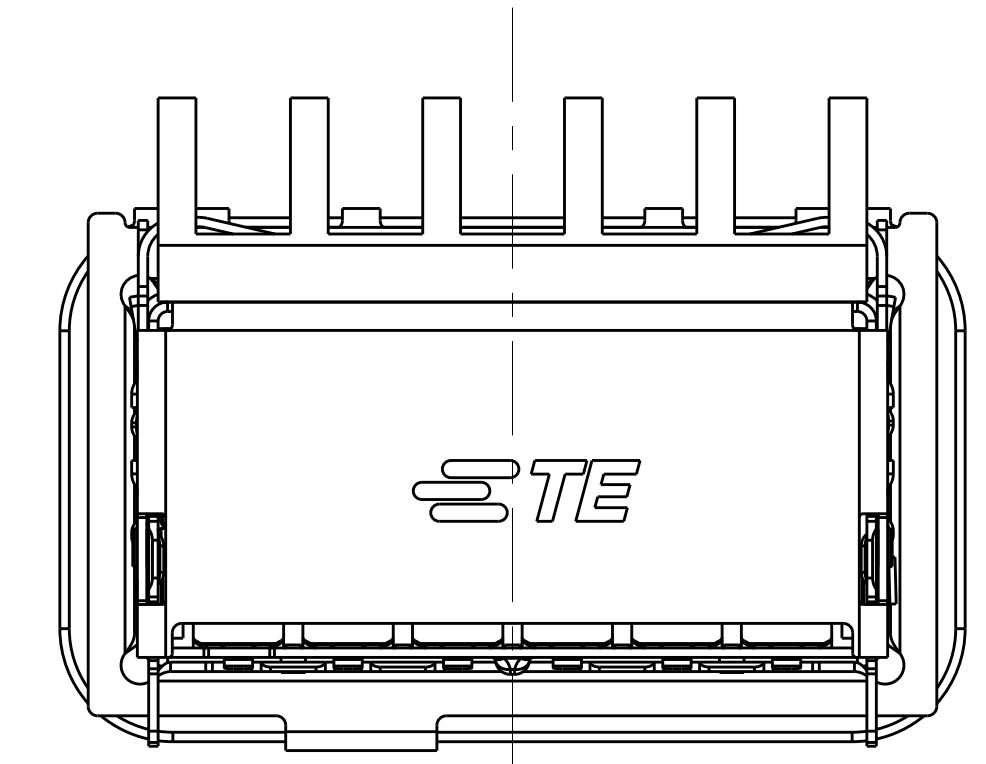
OF REAR LEGS OPTIONS



2 REAR LEGS
SCALE 5:1



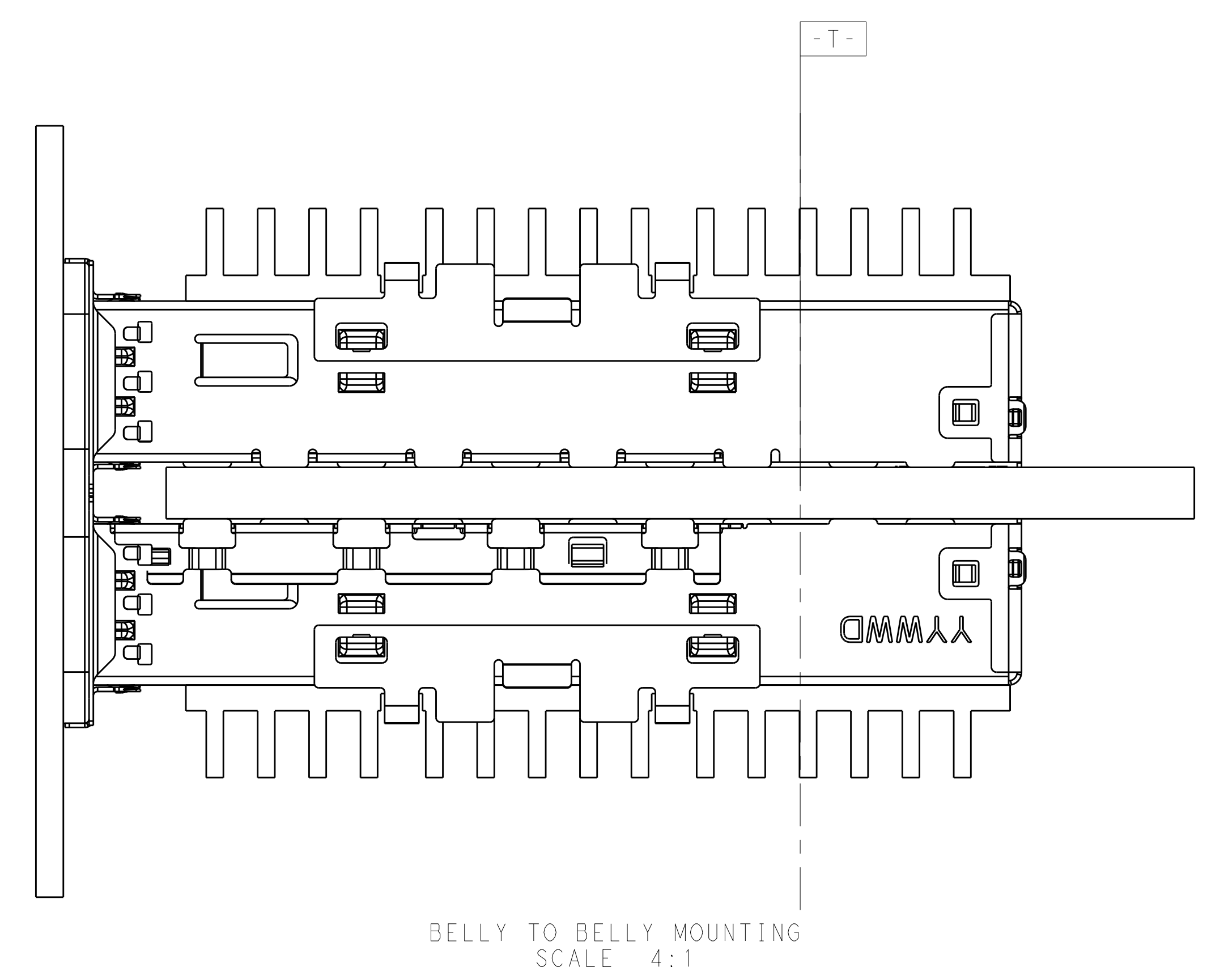
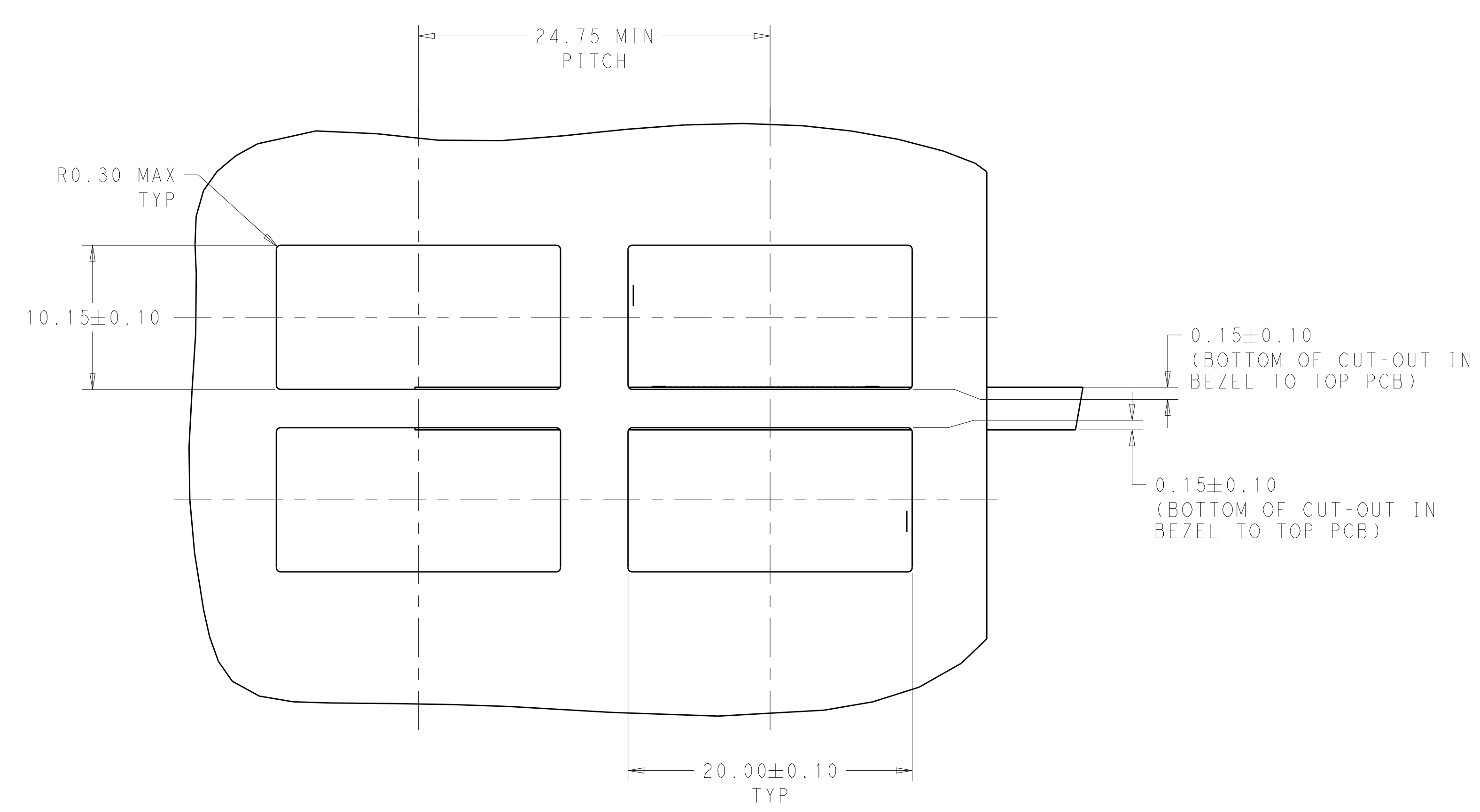
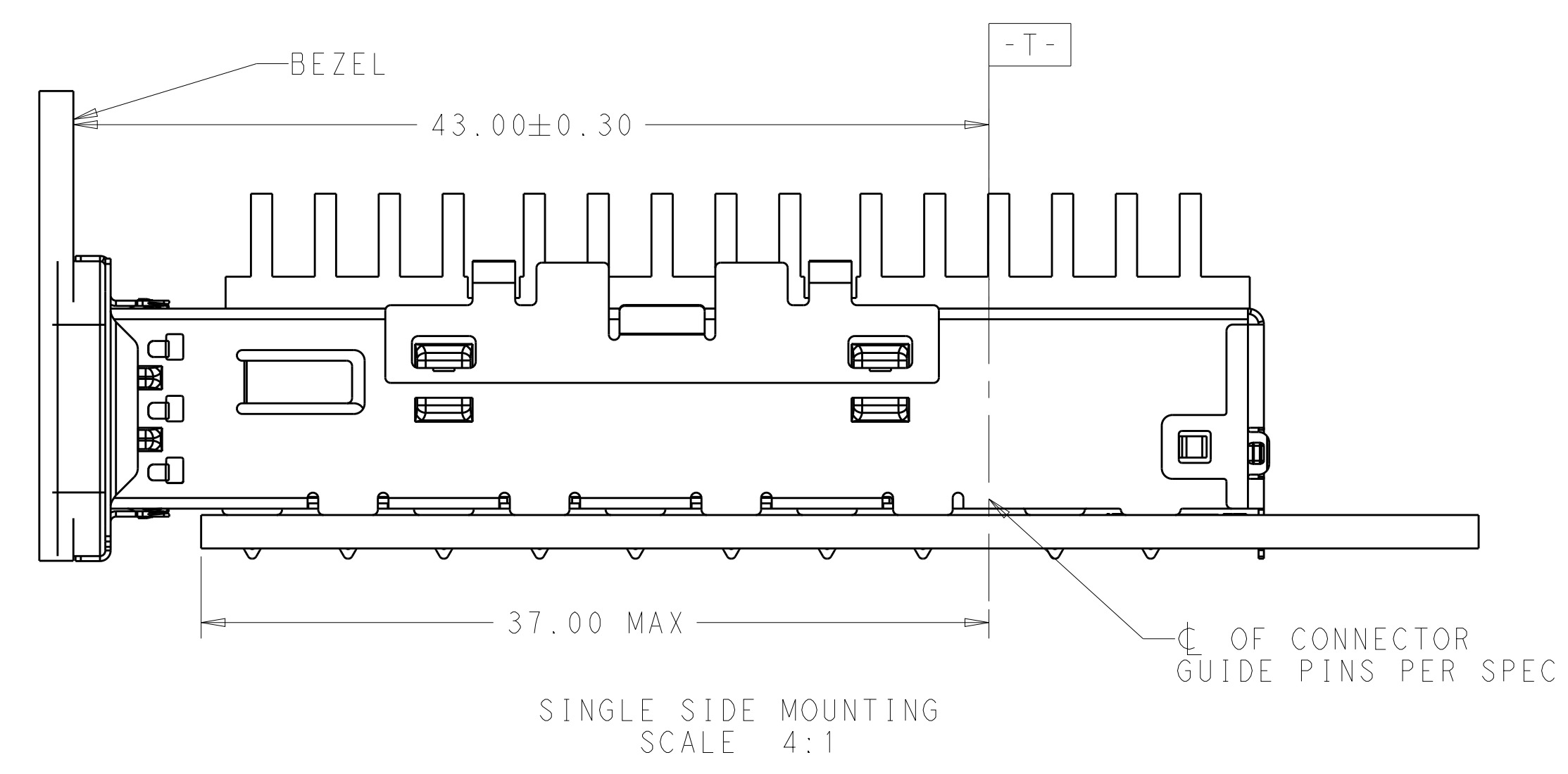
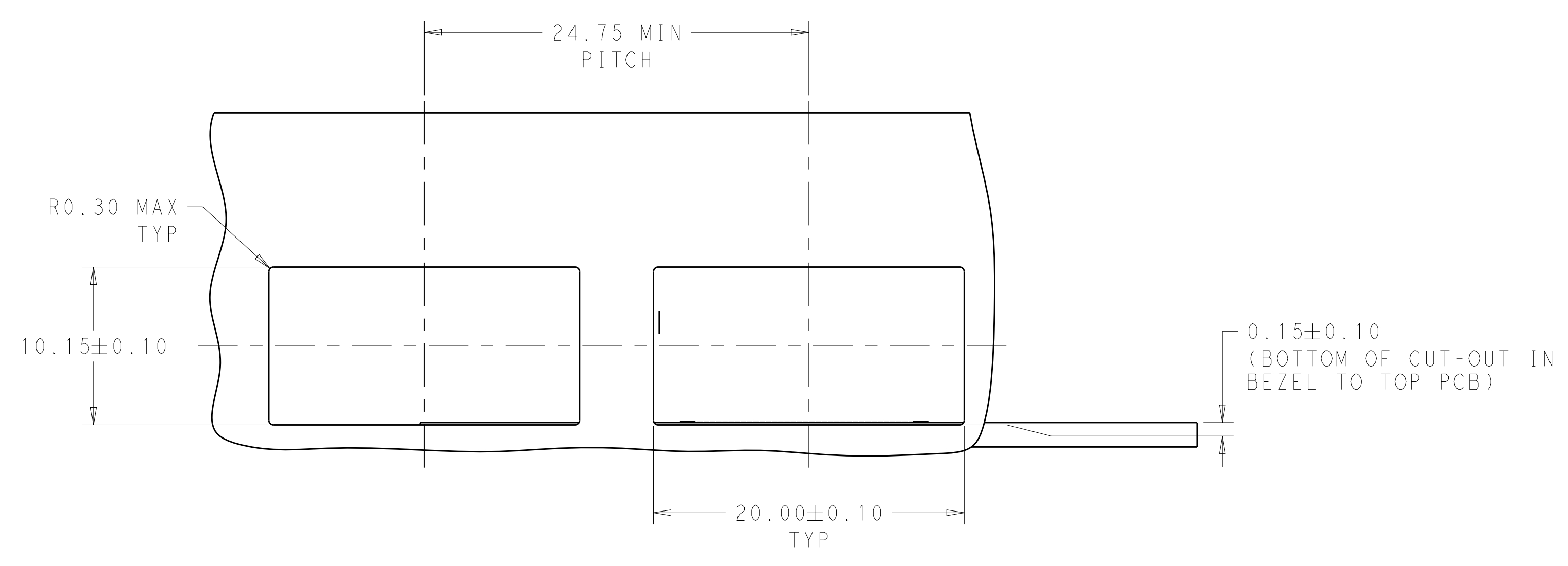
1 REAR LEG
SCALE 5:1



0 REAR LEG
SCALE 5:1

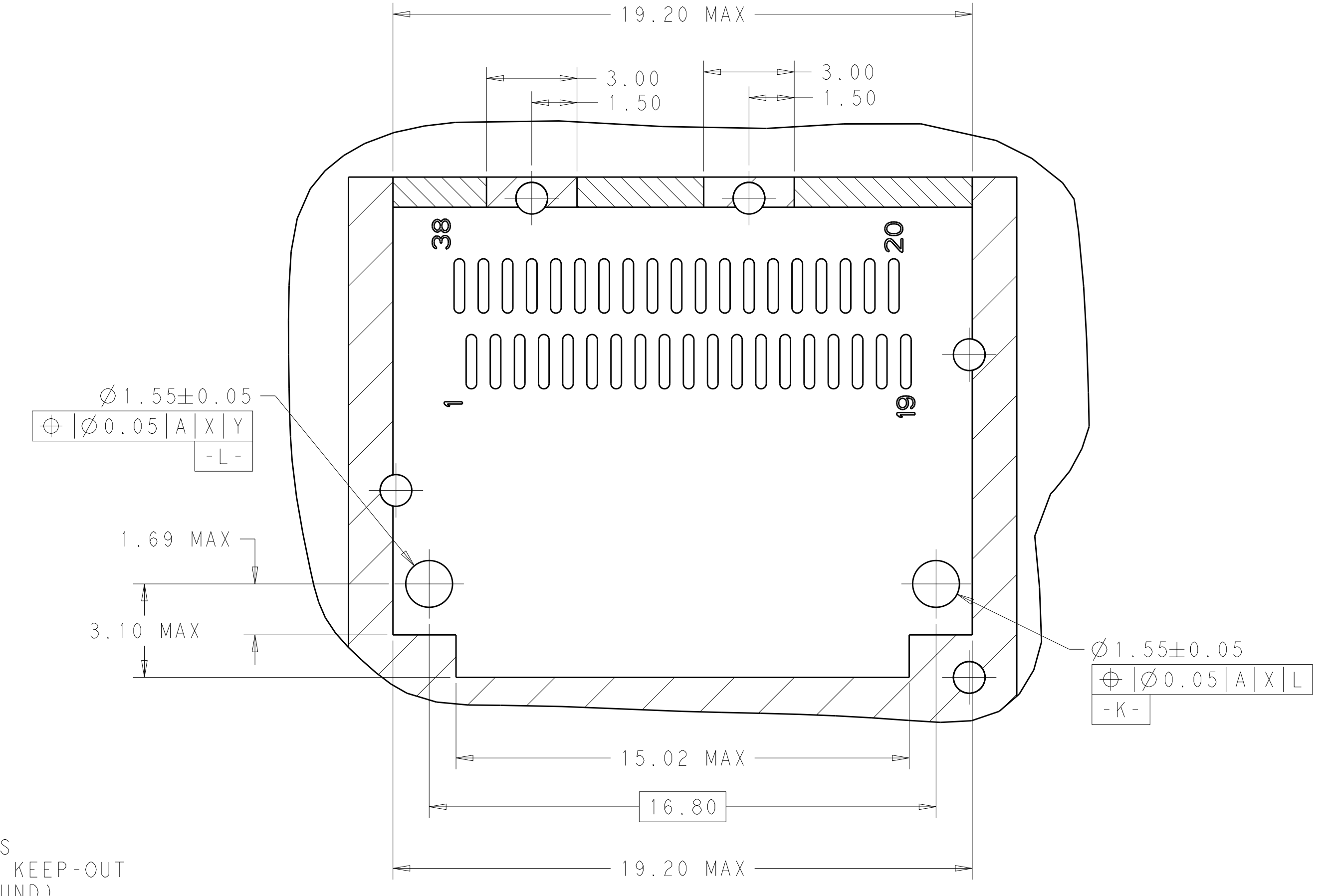
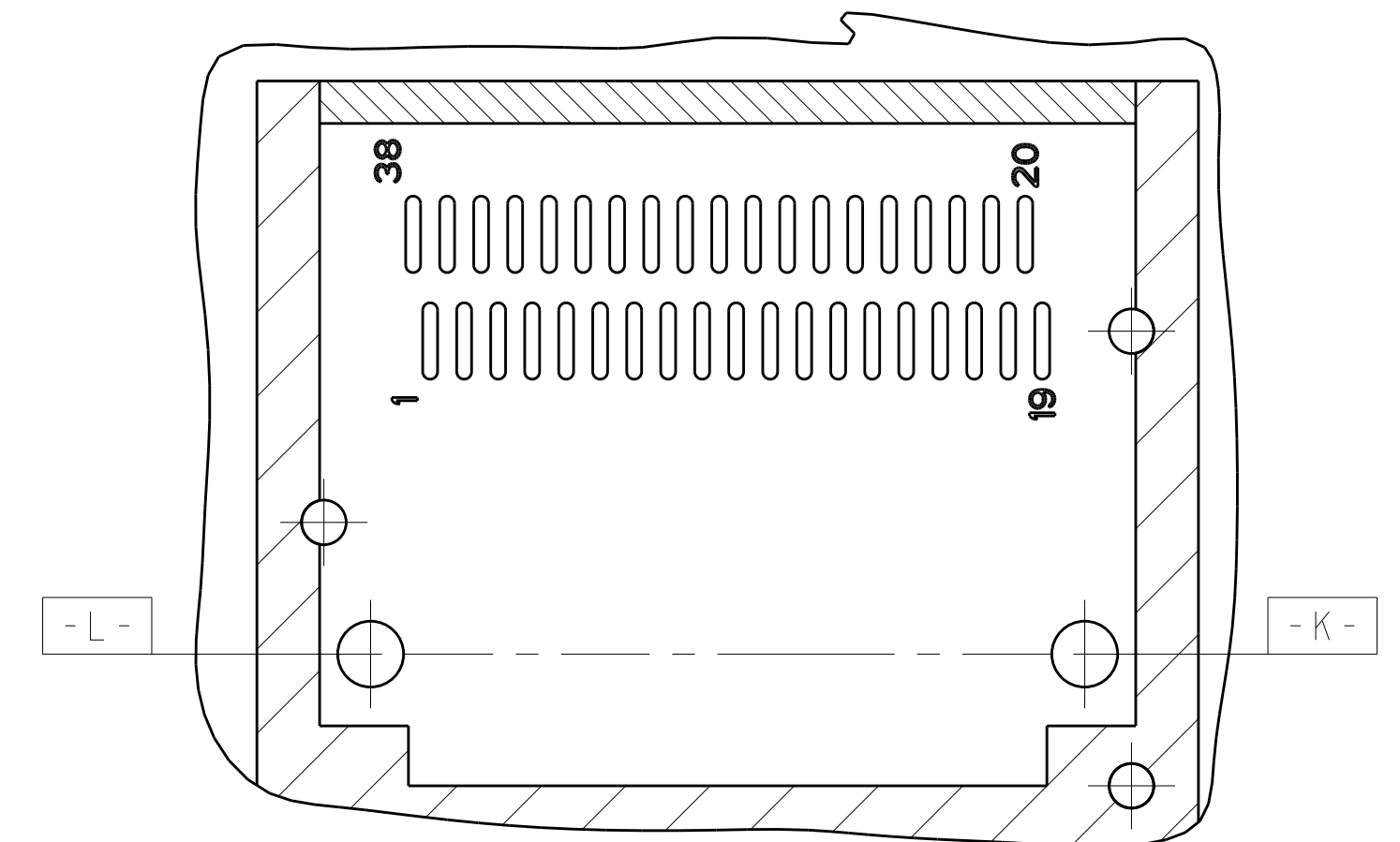
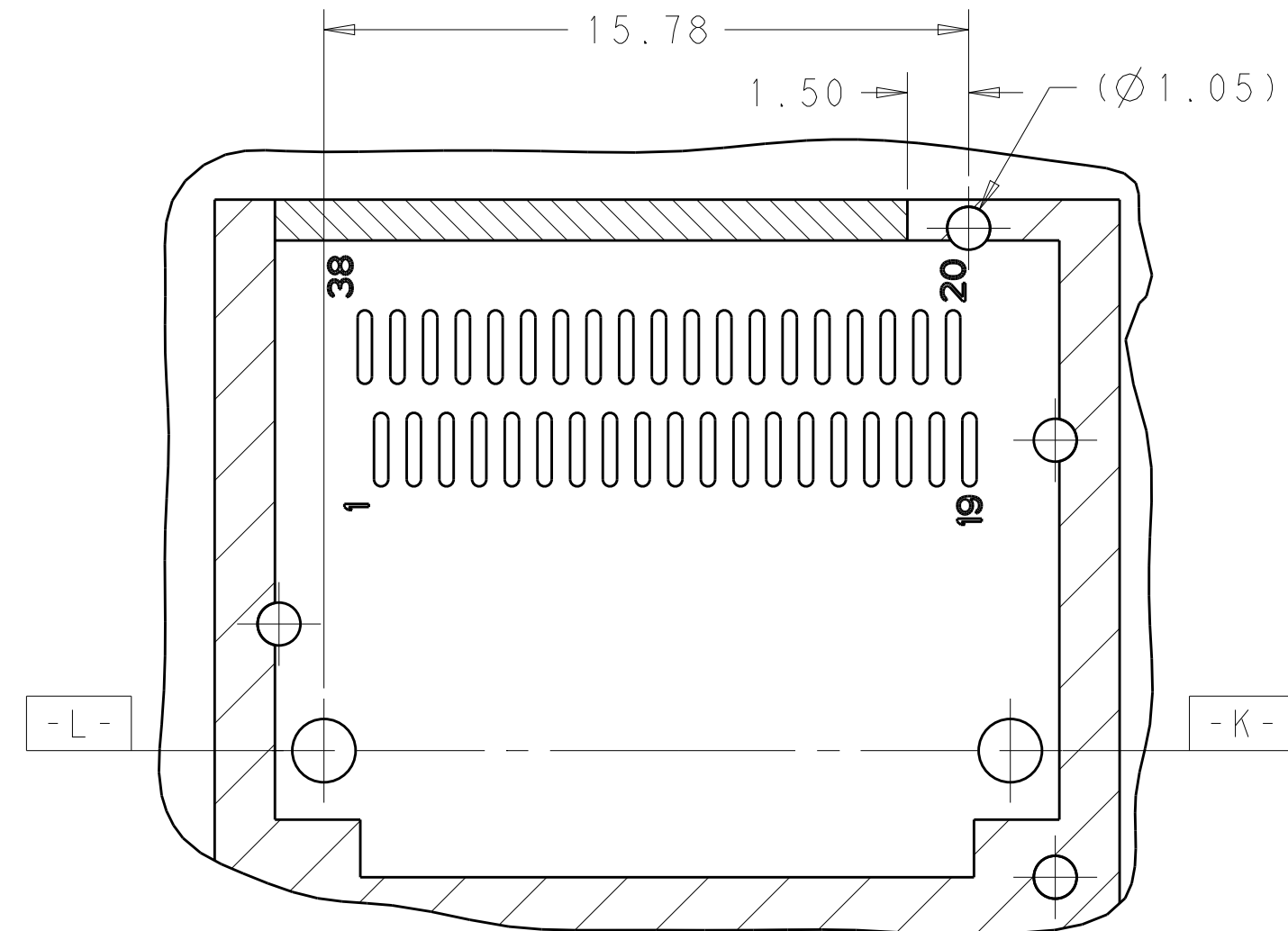
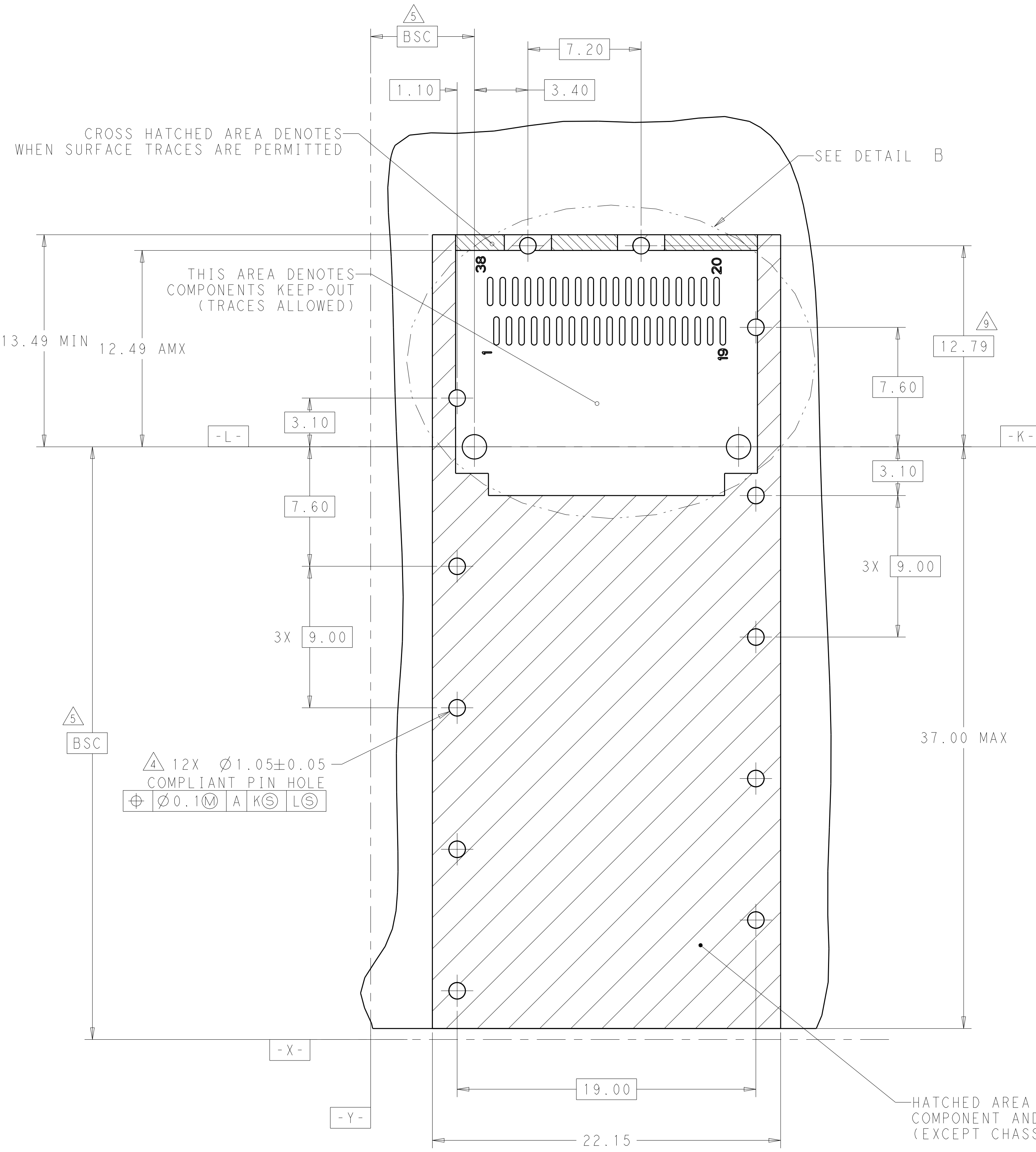
THIS DRAWING IS A CONTROLLED DOCUMENT.		OWN: JASON YANG 01APR2014	TE Connectivity
		CHK: SEAN HAN 30DEC2015	
DIMENSIONS:		PRODUCT SPEC: 108-19428 APPLICATION SPEC: 114-32023	
TOLERANCES UNLESS OTHERWISE SPECIFIED: 0 PLC ±0.25 1 PLC ±0.25 2 PLC ±0.25 3 PLC ±0.25 4 PLC ±0.100 ANGLES ±°		NAME: CAGE ASSEMBLY, QSFP28 1X1, THRU BEZEL, WITH EMI GASKET HEAT SINK SIZE: A1 CAGE CODE: 00779 DRAWING NO: C=2170753	
MATERIAL: -		WEIGHT: - Customer Drawing	
		SCALE: 4:1 SHEET 2 OF 5 REV A	

LOC		DIST		REVISIONS			
P	LTN	DESCRIPTION	DATE	DWN	APVD		
-	-	SEE SHEET 1	-	-	-		



THIS DRAWING IS A CONTROLLED DOCUMENT.		DWN: JASON YANG 01APR2014	TE Connectivity
		CHK: SEAN HAN 30DEC2015	
DIMENSIONS:		TOLERANCES UNLESS OTHERWISE SPECIFIED:	NAME: CAGE ASSEMBLY, QSFP28 1X1, THRU BEZEL, WITH EMI GASKET HEAT SINK
mm	0 PLC ±0.25	1 PLC ±0.25	PRODUCT SPEC: 108-19428
	2 PLC ±0.20	3 PLC ±0.100	APPLICATION SPEC: 114-32023
	4 PLC ±"	ANGLES ±"	SIZE: A100779
MATERIAL:	FINISH:	WEIGHT:	CAGE CODE: C=2170753
		Customer Drawing	RESTRICTED TO: -
SCALE: 4:1			SHEET 3 OF 5
			REV: A

LOC		DIST		REVISIONS			
P	LTN	DESCRIPTION	DATE	DMN	APVD		
-	-	SEE SHEET 1	-	-	-		



THIS DRAWING IS A CONTROLLED DOCUMENT.		DMN: JASON YANG 01APR2014	TE Connectivity
DIMENSIONS: mm		CHK: SEAN HAN 30DEC2015	
TOLERANCES UNLESS OTHERWISE SPECIFIED:		APVD:	NAME: CAGE ASSEMBLY, QSFP28 1X1, THRU BEZEL, WITH EMI GASKET HEAT SINK
0 PLC	±0.25	PRODUCT SPEC	108-19428
1 PLC	±0.25	APPLICATION SPEC	114-32023
2 PLC	±0.20	SIZE	A100779
3 PLC	±0.100	CAGE CODE	C=2170753
4 PLC	±0.100	DRAWING NO	2170753
ANGLES	±0.100	RESTRICTED TO	
MATERIAL		WEIGHT	
FINISH		Customer Drawing	